



US00D828565S

(12) **United States Design Patent**
Harder

(10) **Patent No.:** **US D828,565 S**

(45) **Date of Patent:** **** Sep. 11, 2018**

- (54) **WINDLASS**
- (71) Applicant: **H&H Medical Corporation**,
Williamsburg, VA (US)
- (72) Inventor: **Robert H. B. Harder**, Williamsburg,
VA (US)
- (73) Assignee: **H&H Medical Corporation**,
Williamsburg, VA (US)
- (**) Term: **15 Years**
- (21) Appl. No.: **29/591,362**
- (22) Filed: **Jan. 19, 2017**
- (51) **LOC (11) Cl.** **24-01**
- (52) **U.S. Cl.**
USPC **D24/169**; D24/143
- (58) **Field of Classification Search**
USPC D24/143, 165, 167, 169, 186; D8/382,
D8/383, 356, 349, 44
CPC A61B 17/1327; A61B 17/1322; A61B
17/1325; B63B 35/7933; B63B 2035/794;
A61F 2013/00106; A61F 2013/00119;
A61F 2013/0028; A61F 2013/00468;
A61F 2013/00565
See application file for complete search history.

6,593,508	B1 *	7/2003	Harder	A61F 13/00 602/53
D649,642	S *	11/2011	Johnson	A61B 17/1322 D24/143
D698,930	S *	2/2014	Sun	D24/107
D705,429	S *	5/2014	Cheney	D24/169
D733,305	S *	6/2015	Miyashita	D24/169
D739,027	S *	9/2015	Johnson	D24/169
D739,221	S *	9/2015	Sendra-Gonzalez	F16M 13/02 D8/349
D754,973	S *	5/2016	Danze	D3/318
9,730,703	B2 *	8/2017	Rose	A61B 17/1322
2004/0243044	A1 *	12/2004	Penegor	A61B 17/0057 602/48
2007/0185428	A1 *	8/2007	Harder	A61B 17/1322 602/75
2010/0057120	A1 *	3/2010	Kirkham	A61B 17/1322 606/203
2011/0126382	A1 *	6/2011	Kirkham	A61B 17/1322 24/16 R
2016/0345981	A1 *	12/2016	Demas	A61B 17/1322
2016/0367262	A1 *	12/2016	Burke	A61B 17/1322

* cited by examiner

Primary Examiner — Anhdao Doan

(74) *Attorney, Agent, or Firm* — Nixon & Vanderhye P.C.

(57) **CLAIM**

The ornamental design for a windlass, as shown and described.

DESCRIPTION

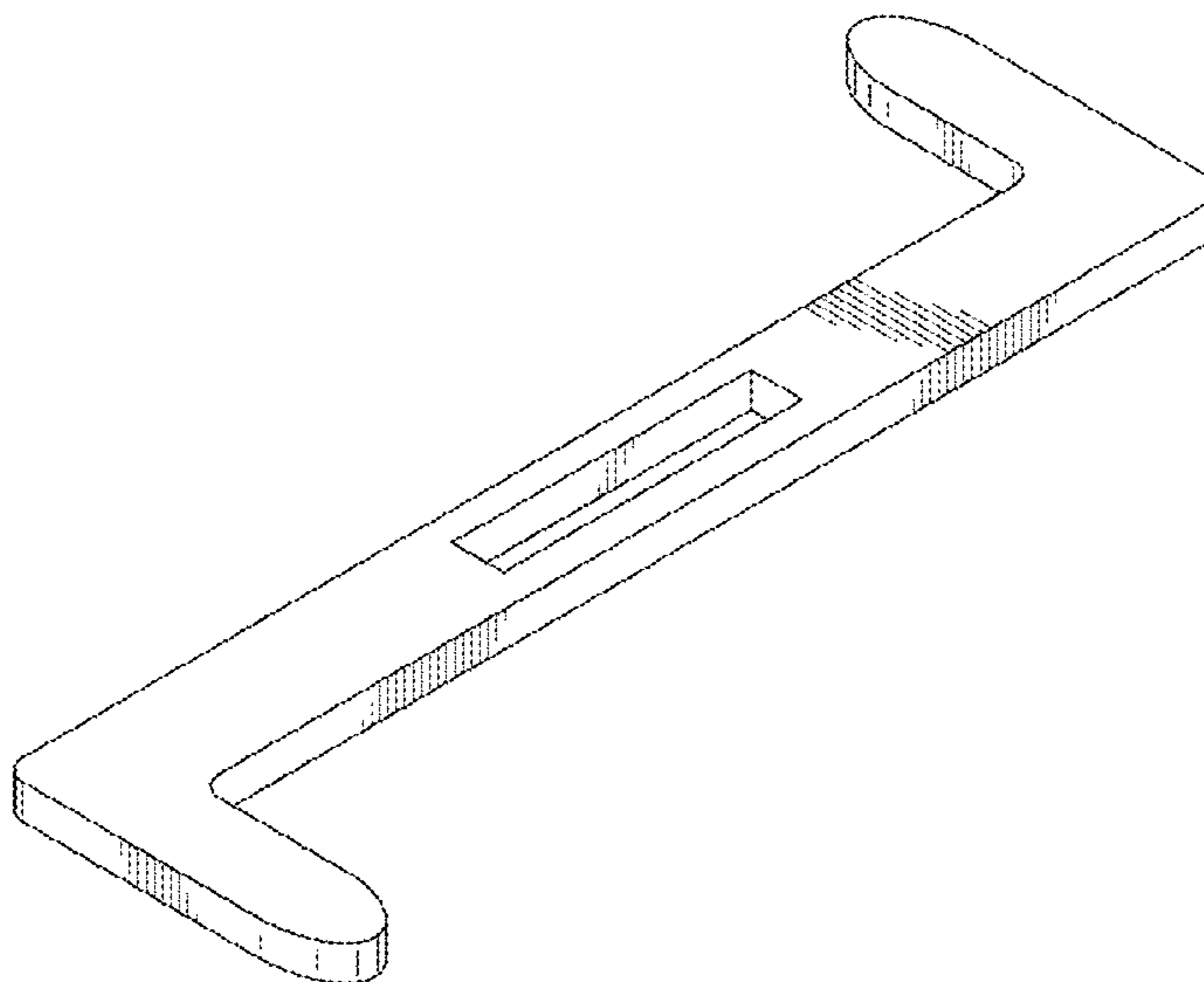
FIG. 1 is a perspective view of a windlass;
 FIG. 2 is a front view thereof;
 FIG. 3 is a back view thereof;
 FIG. 4 is a first end view thereof;
 FIG. 5 is a second end view thereof;
 FIG. 6 is a left side view thereof; and,
 FIG. 7 is a right side view thereof.

1 Claim, 5 Drawing Sheets

(56) **References Cited**

U.S. PATENT DOCUMENTS

268,407	A *	12/1882	Hughes	A61B 17/132 24/115 H
D270,517	S *	9/1983	Raskin	24/130
D333,006	S *	2/1993	Tam	D24/169
5,451,234	A *	9/1995	Wassermann	A61B 17/1327 606/203
5,628,723	A *	5/1997	Grau	A61B 17/1325 602/53



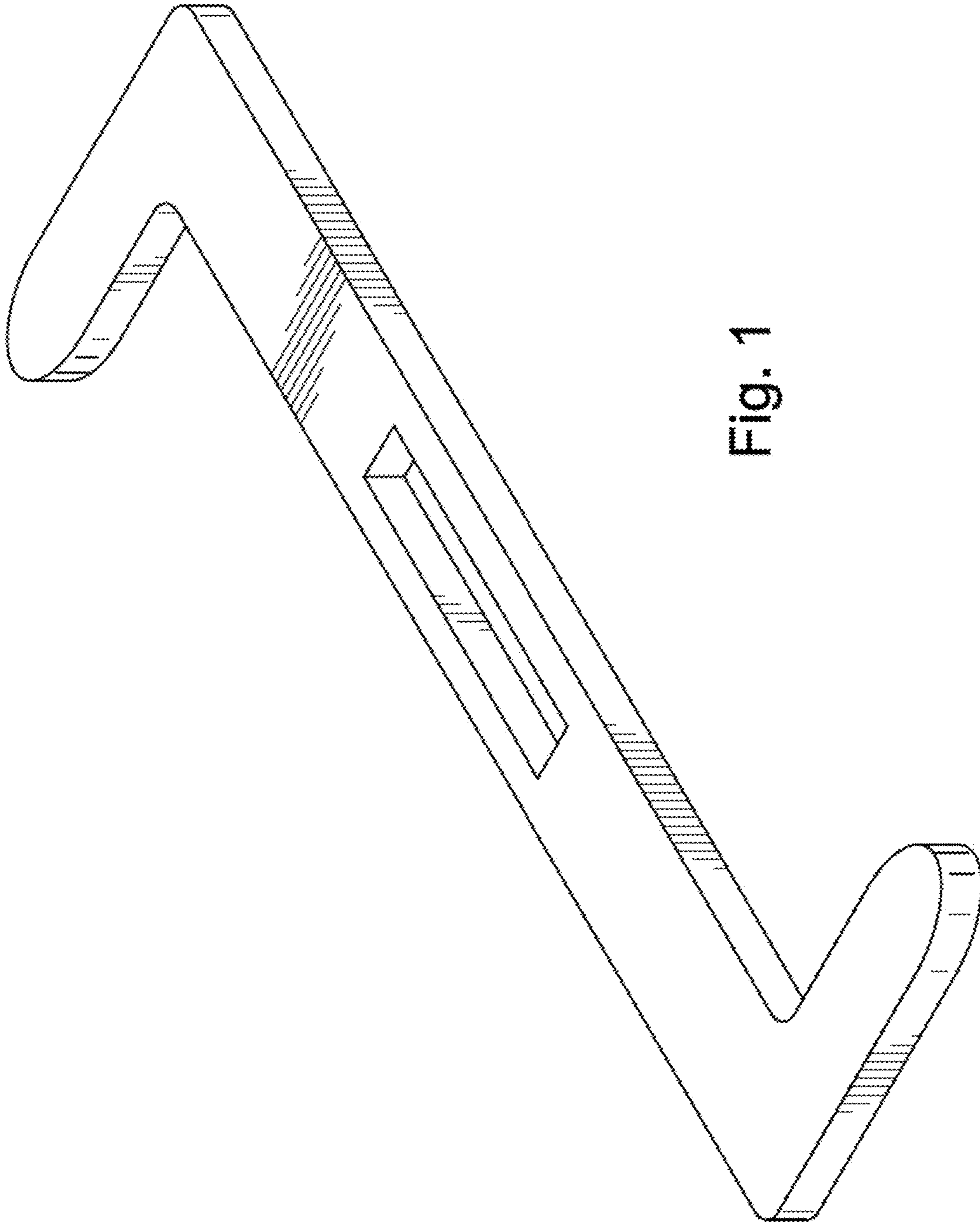


Fig. 1



Fig. 2

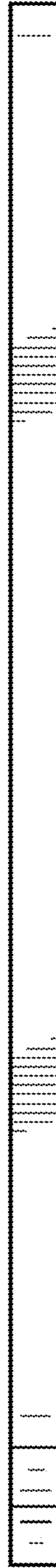


Fig. 3

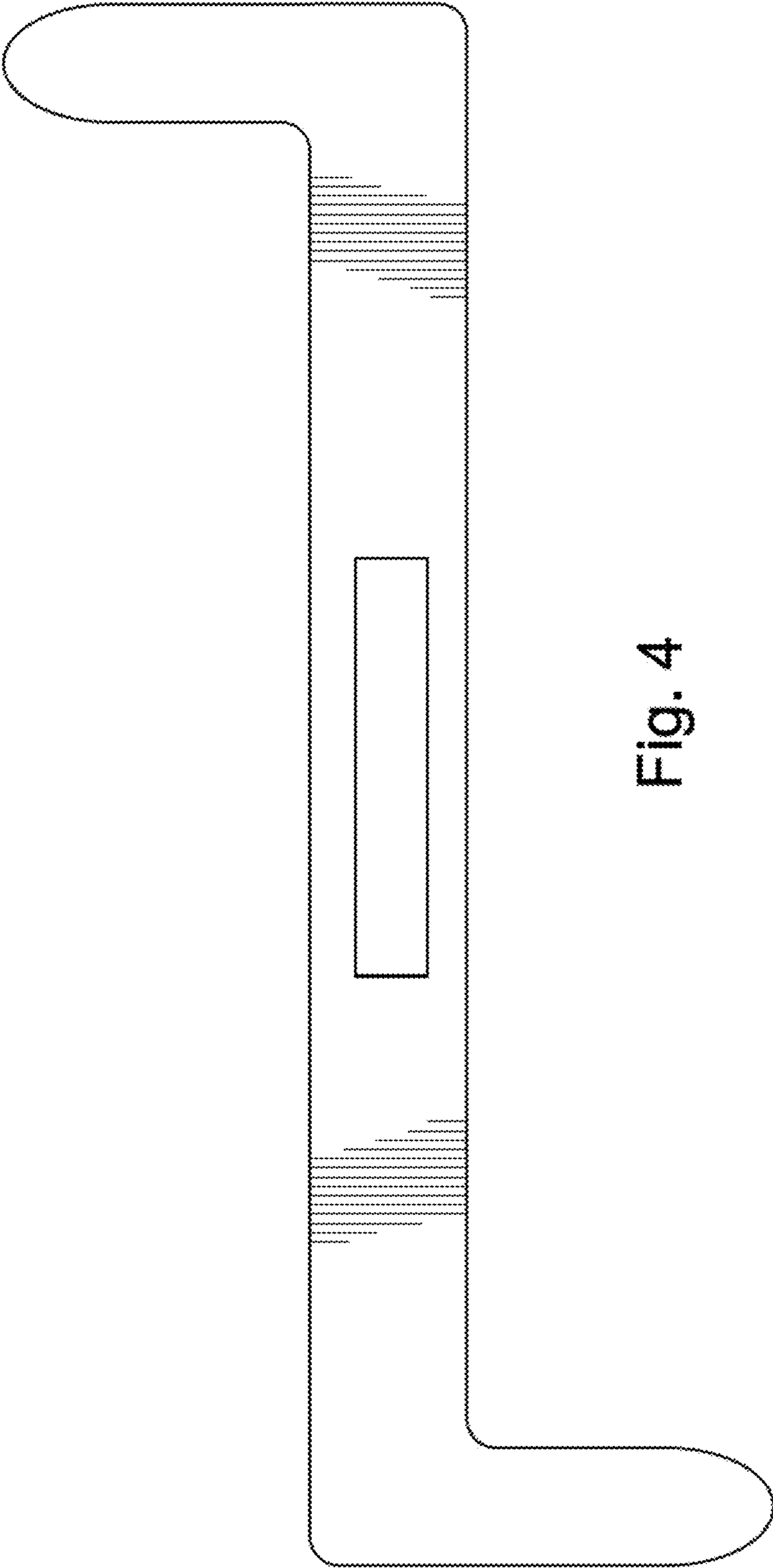


Fig. 4

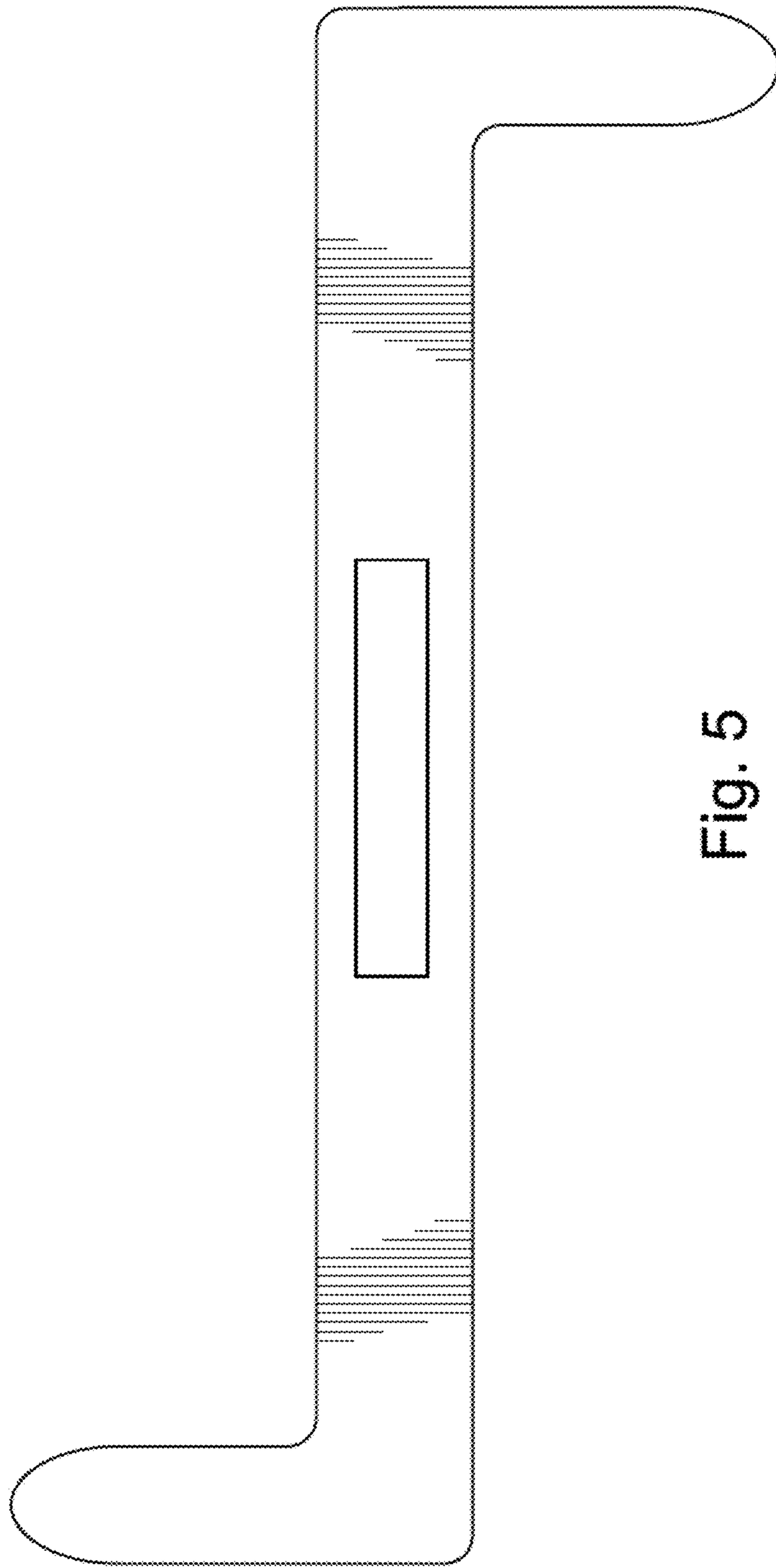


Fig. 5



Fig. 6



Fig. 7