



US00D828564S

(12) **United States Design Patent** (10) **Patent No.:** **US D828,564 S**
Harder (45) **Date of Patent:** **** Sep. 11, 2018**

(54) **WINDLASS**
(71) Applicant: **H&H Medical Corporation,**
Williamsburg, VA (US)
(72) Inventor: **Robert H. B. Harder,** Williamsburg,
VA (US)
(73) Assignee: **H&H Medical Corporation,**
Williamsburg, VA (US)
(**) Term: **15 Years**
(21) Appl. No.: **29/591,348**
(22) Filed: **Jan. 19, 2017**
(51) **LOC (11) Cl.** **24-01**
(52) **U.S. Cl.**
USPC **D24/169; D24/143**
(58) **Field of Classification Search**
USPC D24/143, 165, 167, 169, 186; D8/382,
D8/383, 356, 349, 44
CPC A61B 17/1327; A61B 17/1322; A61B
17/1325; B63B 35/7933; B63B 2035/794;
A61F 2013/00106; A61F 2013/00119;
A61F 2013/0028; A61F 2013/00468;
A61F 2013/00565
See application file for complete search history.

6,593,508 B1 * 7/2003 Harder A61F 13/00
602/53
D649,642 S * 11/2011 Johnson A61B 17/1322
D24/143
D698,930 S * 2/2014 Sun D24/107
D705,429 S * 5/2014 Cheney D24/169
D733,305 S * 6/2015 Miyashita D24/169
D739,027 S * 9/2015 Johnson D24/169
D739,221 S * 9/2015 Sendra-Gonzalez
F16M 13/02
D8/349
D754,973 S * 5/2016 Danze D3/318
9,730,703 B2 * 8/2017 Rose A61B 17/1322
2004/0243044 A1 * 12/2004 Penegor A61B 17/0057
602/48
2007/0185428 A1 * 8/2007 Harder A61B 17/1322
602/75
2010/0057120 A1 * 3/2010 Kirkham A61B 17/1322
606/203
2011/0126382 A1 * 6/2011 Kirkham A61B 17/1322
24/16 R
2016/0345981 A1 * 12/2016 Demas A61B 17/1322
2016/0367262 A1 * 12/2016 Burke A61B 17/1322

* cited by examiner

Primary Examiner — Anhdao Doan
(74) *Attorney, Agent, or Firm* — Nixon & Vanderhye P.C.

(57) **CLAIM**

The ornamental design for a windlass, as shown and described.

DESCRIPTION

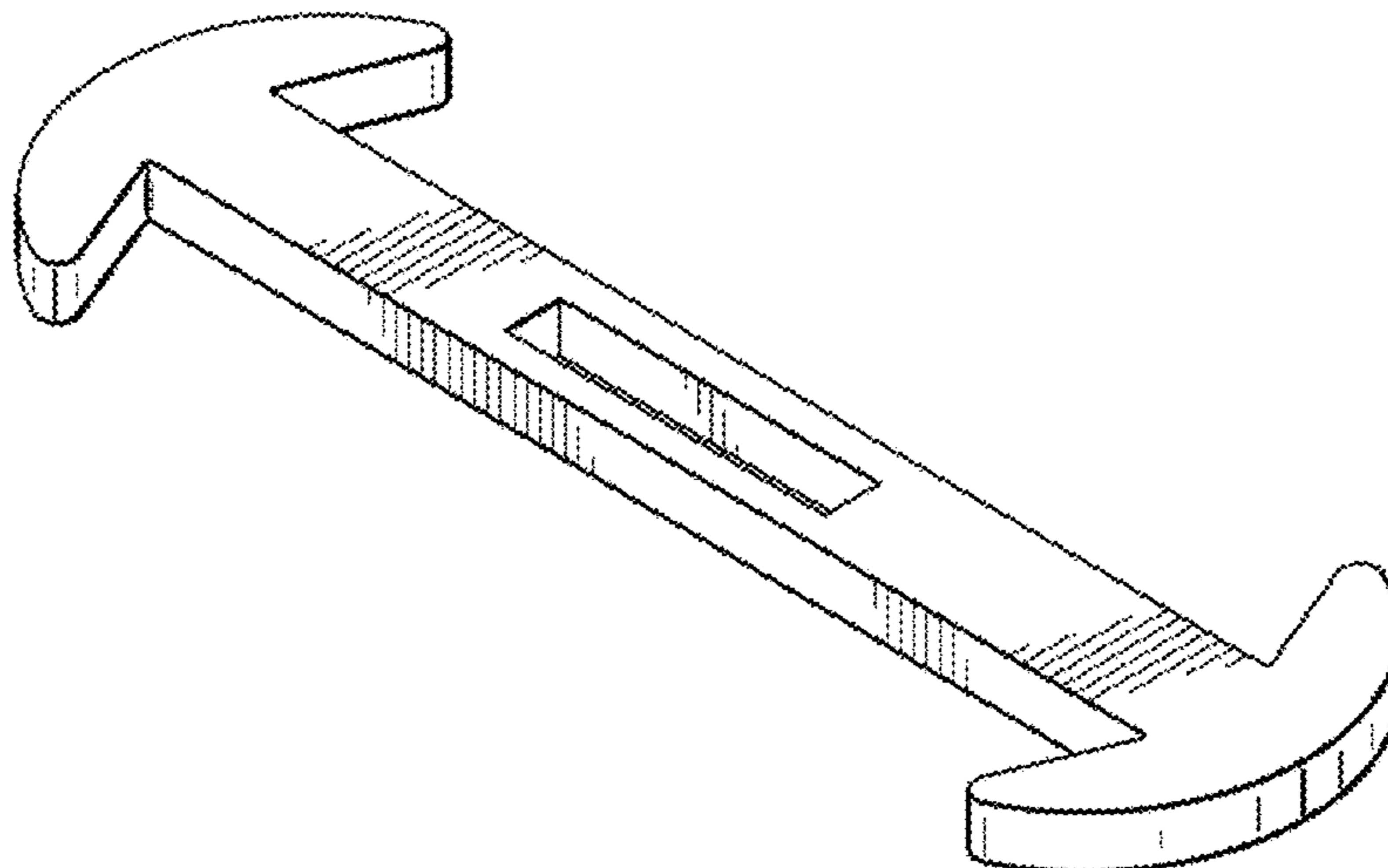
FIG. 1 is a perspective view of a windlass;
FIG. 2 is a left side view thereof;
FIG. 3 is a right side view thereof;
FIG. 4 is a top view thereof;
FIG. 5 is a bottom view thereof;
FIG. 6 is a first end view thereof; and,
FIG. 7 is a second end view thereof.

1 Claim, 5 Drawing Sheets

(56) **References Cited**

U.S. PATENT DOCUMENTS

268,407 A * 12/1882 Hughes A61B 17/132
24/115 H
D270,517 S * 9/1983 Raskin 24/130
D333,006 S * 2/1993 Tam D24/169
5,451,234 A * 9/1995 Wassermann A61B 17/1327
606/203
5,628,723 A * 5/1997 Grau A61B 17/1325
602/53



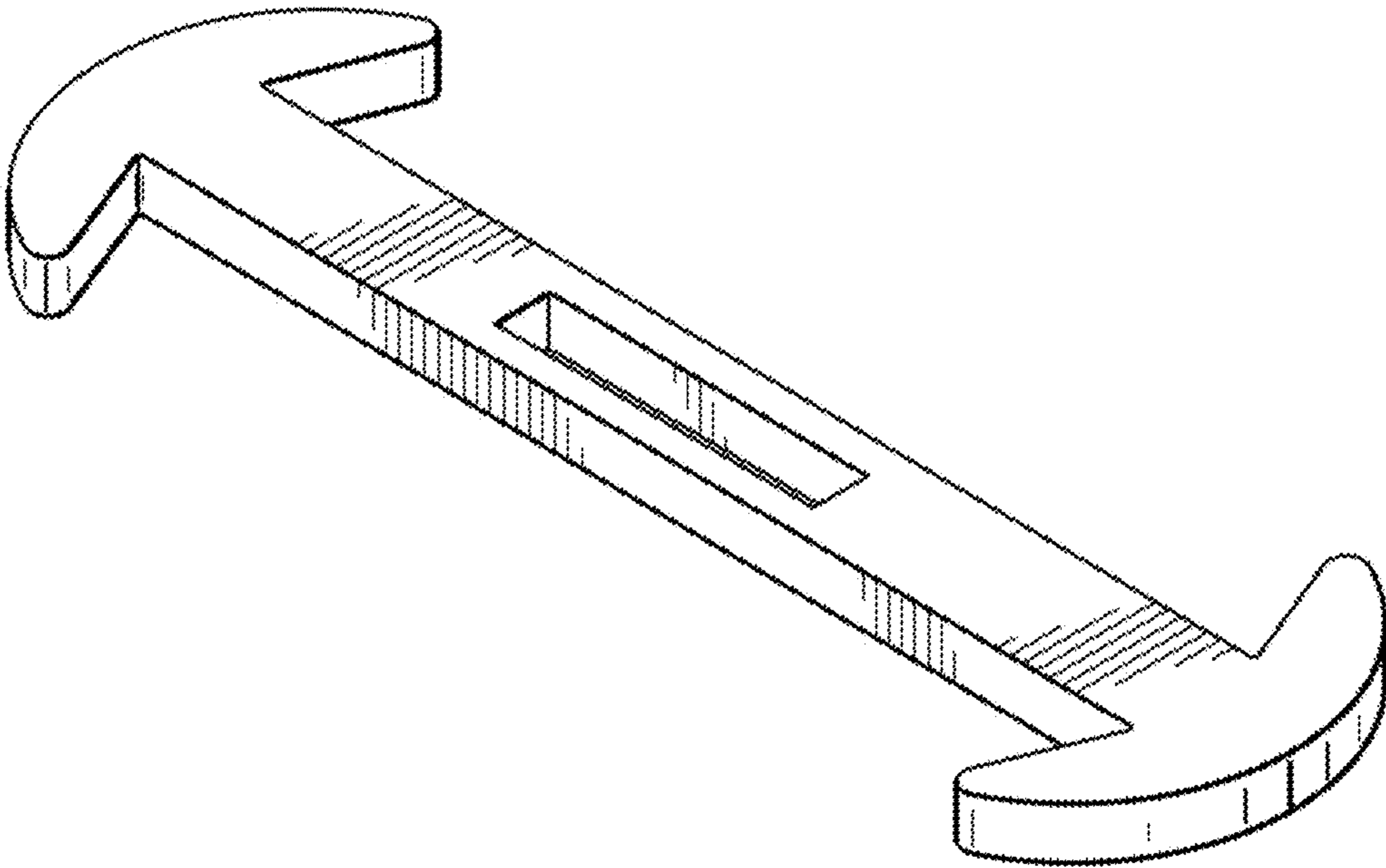


Fig. 1



Fig. 2



Fig. 3

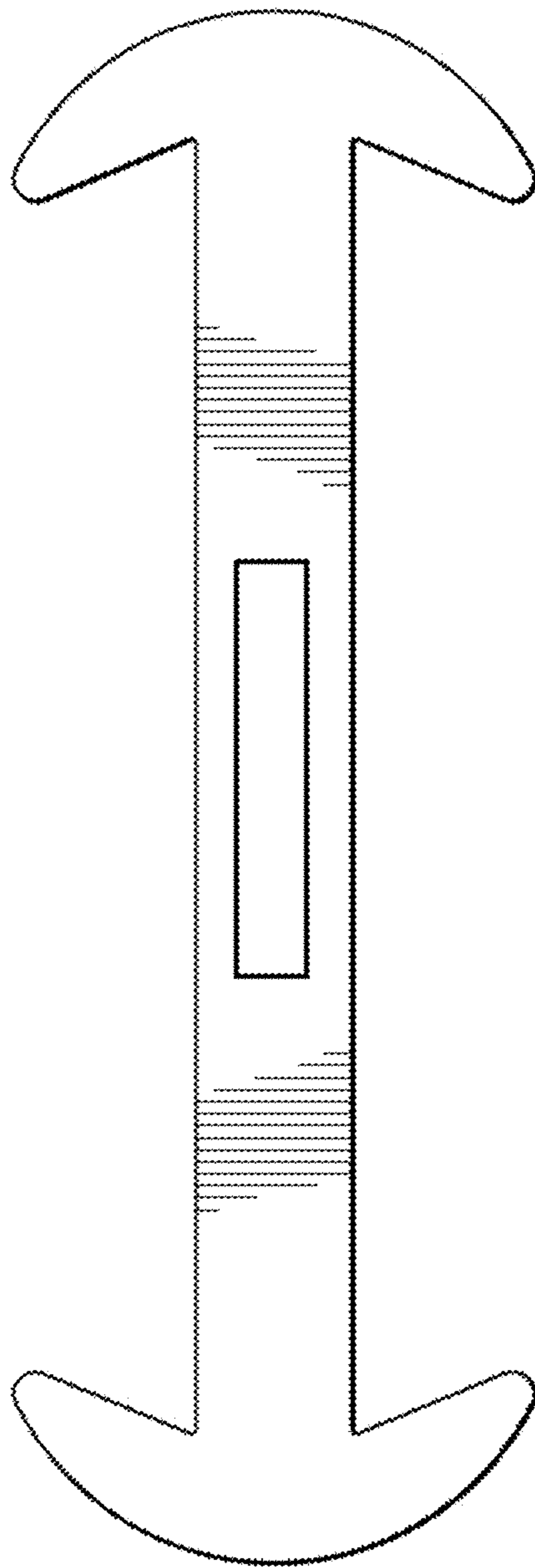


Fig. 4

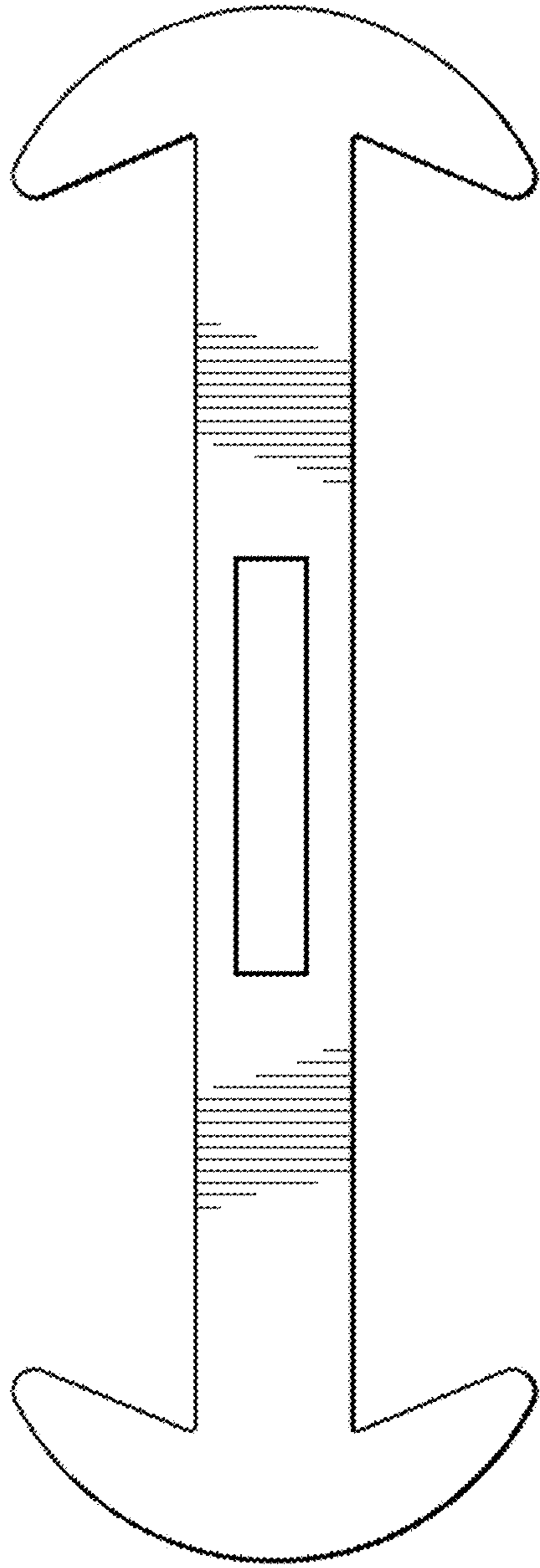


Fig. 5



Fig. 6



Fig. 7