



US00D828563S

(12) **United States Design Patent**
Behrens

(10) **Patent No.:** **US D828,563 S**
(45) **Date of Patent:** **** Sep. 11, 2018**

(54) **CONTROL MODULE FOR A DENTAL LIGHT HARDENING DEVICE**

D618,799 S * 6/2010 Plank D24/152
8,072,588 B2 * 12/2011 Plank G01J 1/4228
356/218
D653,340 S * 1/2012 Goerge D24/152

(71) Applicant: **Ivoclar Vivadent AG**, Schaan (LI)

(Continued)

(72) Inventor: **Eva Behrens**, Ulm (DE)

Primary Examiner — Keli L Hill

(73) Assignee: **Ivoclar Vivadent AG**, Schaan (LI)

(74) *Attorney, Agent, or Firm* — Ann M. Knab; Thad McMurray

(**) Term: **15 Years**

(57) **CLAIM**

(21) Appl. No.: **35/500,599**

The ornamental design for a control module for a dental light hardening device, as shown and described.

(22) Filed: **Aug. 14, 2015**

DESCRIPTION

(80) **Hague Agreement Data**

Int. Filing Date: **Aug. 14, 2015**

1. Control module for a dental light hardening device.

Int. Reg. No.: **DM/088480**

Fig. 1.1 is a left side view of a control module for a dental light hardening device, showing my new design.

Int. Reg. Date: **Aug. 14, 2015**

Fig. 1.2 is a right side view of the control module for a dental light hardening device in Fig. 1.

Int. Reg. Pub. Date: **Feb. 19, 2016**

Fig. 1.3 is a right side view of the control module for a dental light hardening device in Fig. 1 without the battery and light guide.

(51) **LOC (11) Cl.** **24-02**

(52) **U.S. Cl.**

USPC **D24/152**

Fig. 1.4 is a left side view of the control module for a dental light hardening device in Fig. 1 without the battery and light guide.

(58) **Field of Classification Search**

USPC D4/116, 117, 132; D28/7, 20, 21, 25, 30, D28/31

Fig. 1.5 is a top view of the control module for a dental light hardening device in a partial view of Fig. 1.

CPC A61B 1/247; A61C 1/08; A61C 1/088; A61C 17/02; A61C 17/0217; A61C 433/27; A61C 433/29; A61C 433/31; A61C 433/215

Fig. 1.6 is a first alternate top view of the control module for a dental light hardening device in a partial view of Fig. 1.

See application file for complete search history.

Fig. 1.7 is a second alternate top view of the control module for a dental light hardening device in a partial view of Fig. 1.

(56) **References Cited**

U.S. PATENT DOCUMENTS

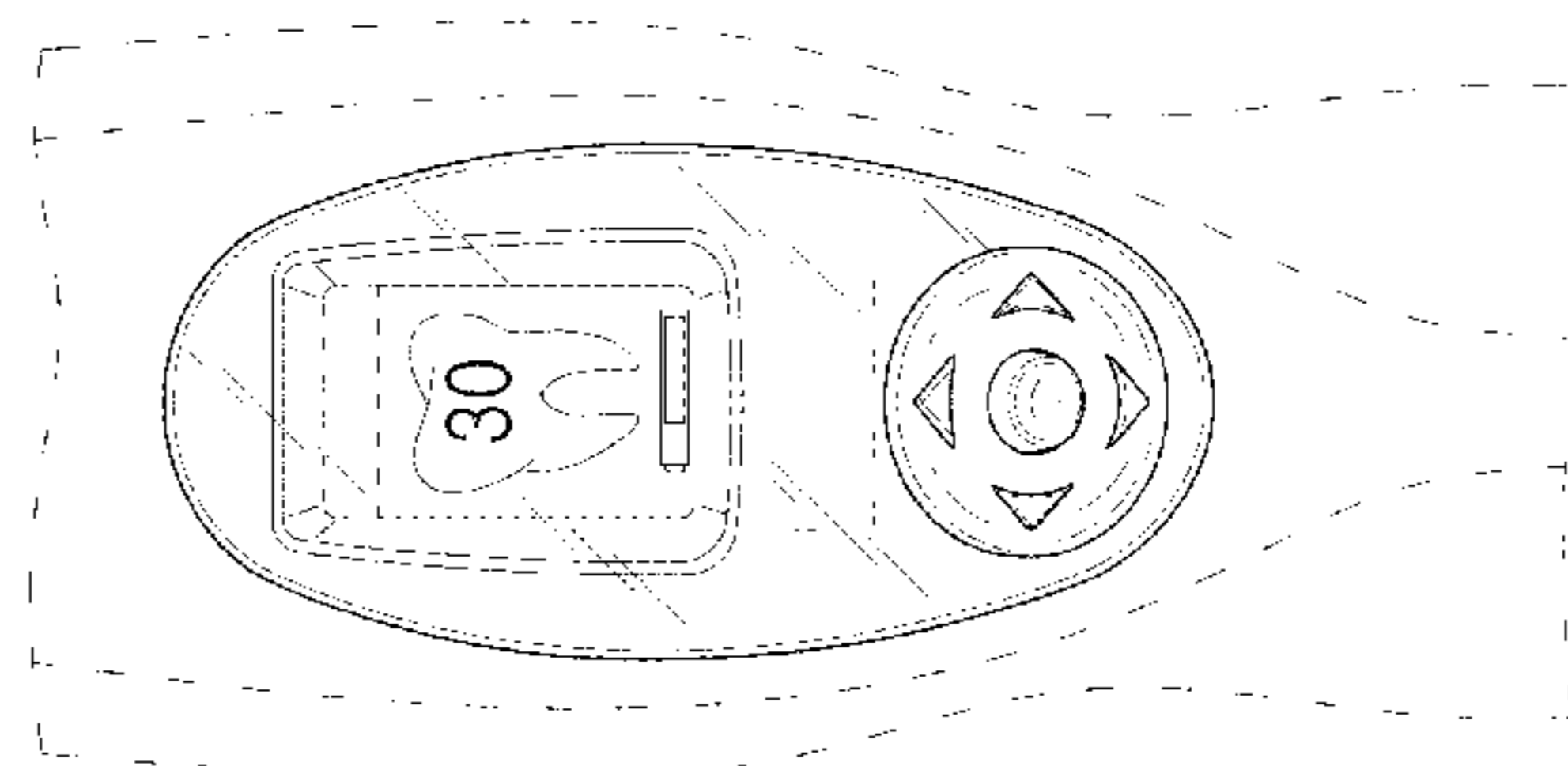
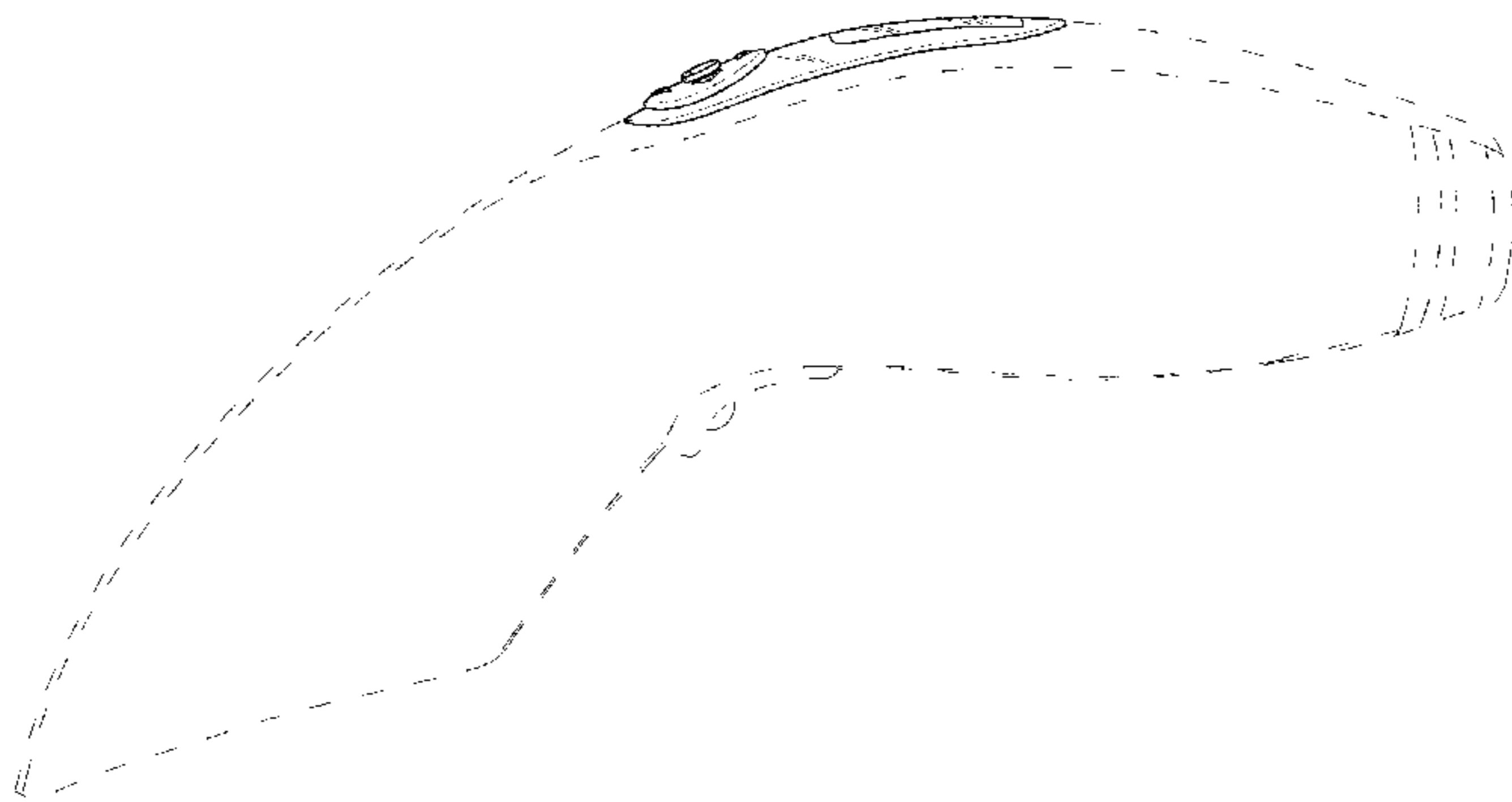
6,719,559 B2 * 4/2004 Cao A61C 19/004
362/800
D532,907 S * 11/2006 Feinbloom D24/152
D533,270 S * 12/2006 Kierce D24/112
D559,856 S * 1/2008 Kim D14/486
D599,018 S * 8/2009 Plank D24/152

Fig. 1.8 is a third alternate top view of the control module for a dental light hardening device in a partial view of Fig. 1.

Fig. 1.9 is a fourth alternate top view of the control module for a dental light hardening device in a partial view of Fig. 1.

The broken lines shown are included for the purpose of illustrating portions of the control module for a dental light hardening device that form no part of the claim.

1 Claim, 7 Drawing Sheets



(56)

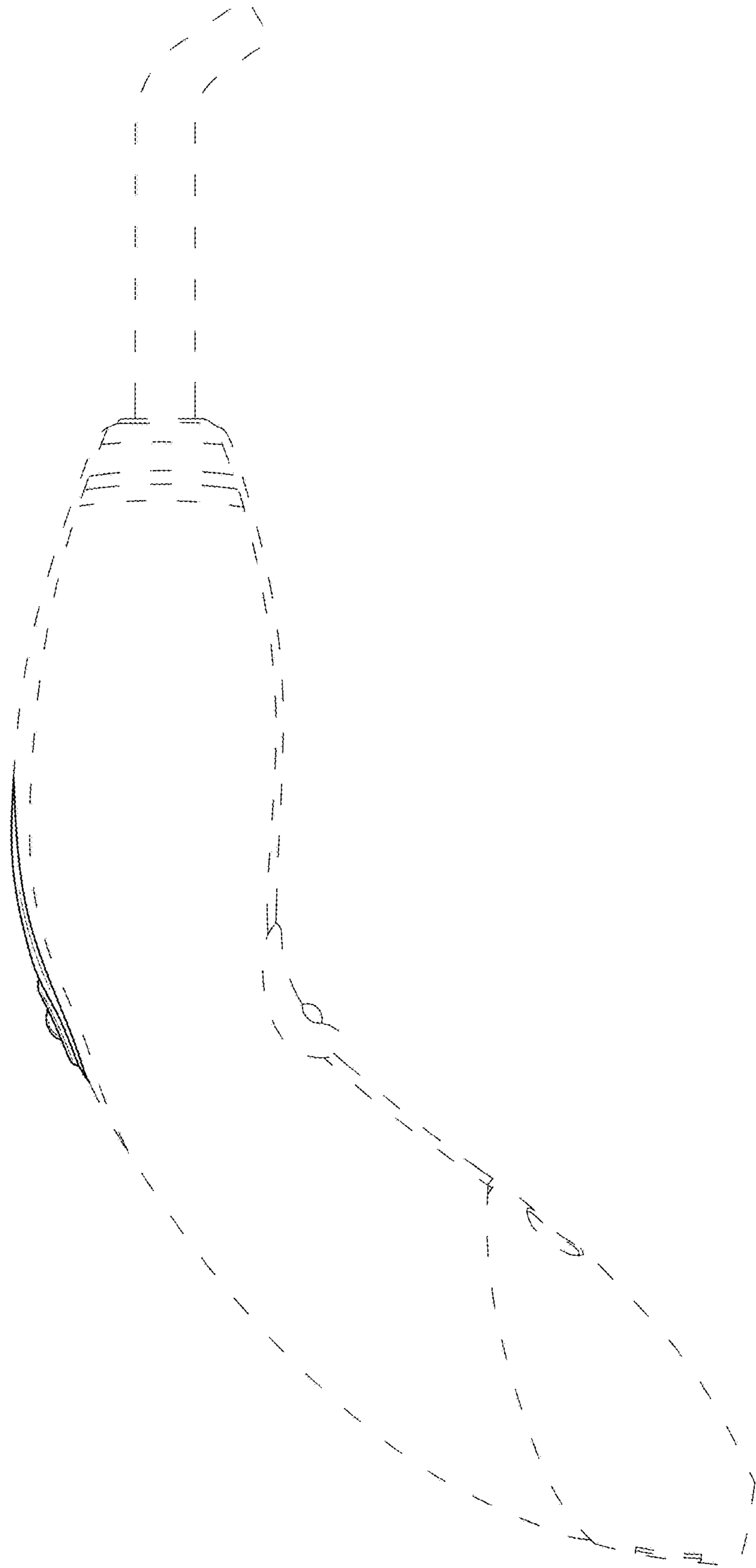
References Cited

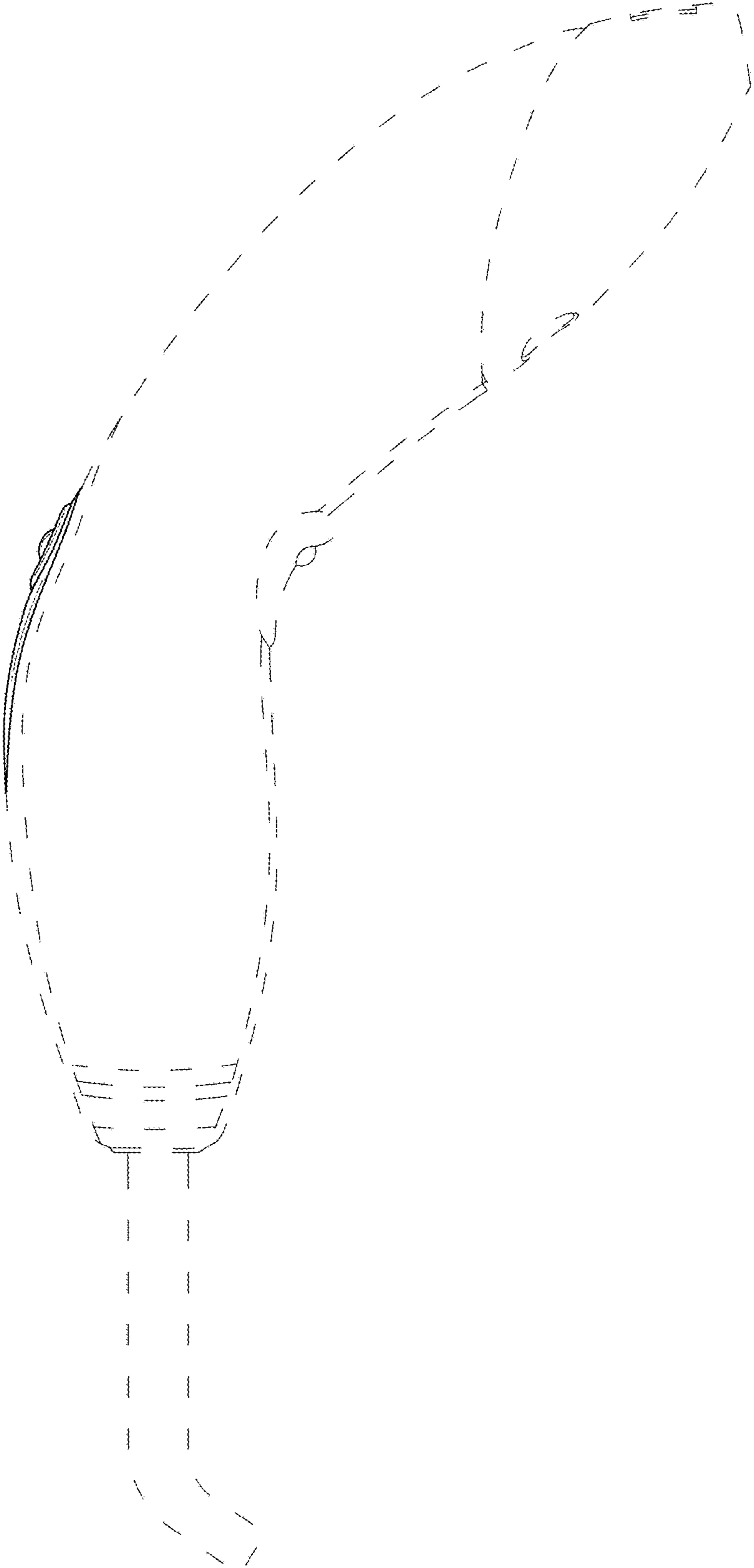
U.S. PATENT DOCUMENTS

D731,651 S * 6/2015 Weihreter D24/152
D747,349 S * 1/2016 Park D14/492
D751,196 S * 3/2016 Wapler D24/133
2010/0190130 A1* 7/2010 LaRocque A61C 19/004
433/29
2015/0202032 A1* 7/2015 Benz A61C 1/0015
433/27
2016/0074144 A1* 3/2016 Peterson A61C 19/004
433/29
2016/0287364 A1* 10/2016 Pauler A61C 19/004

* cited by examiner

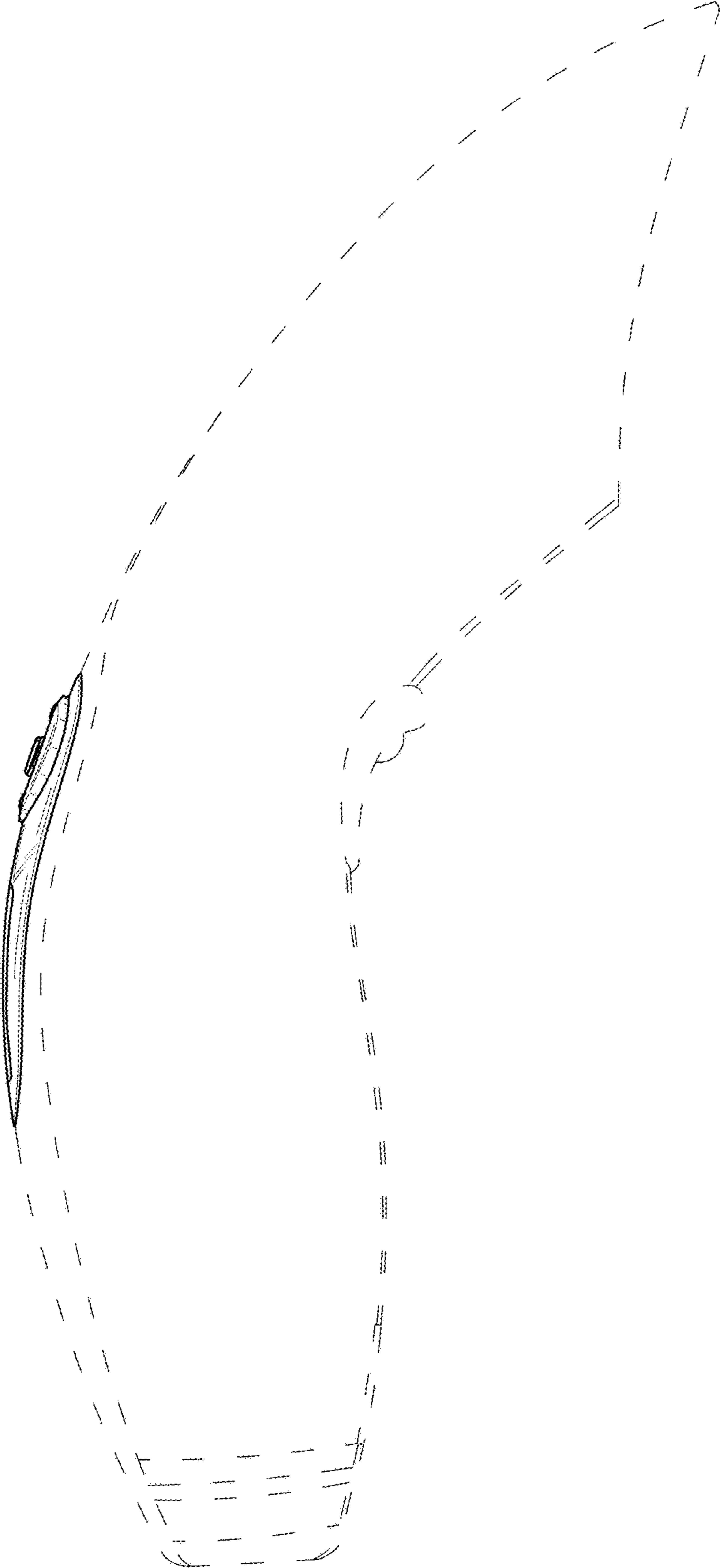
1.1

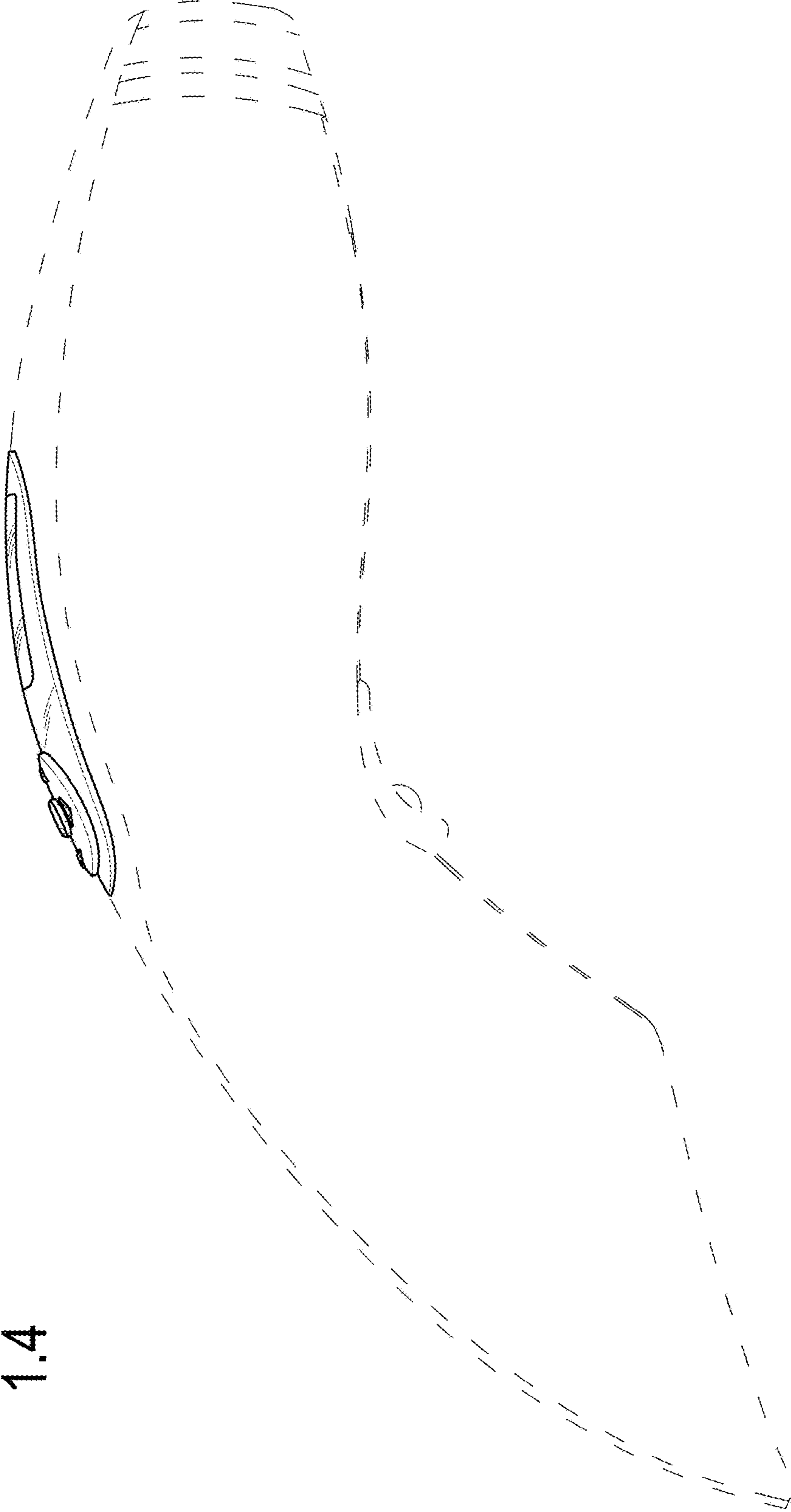




1.2

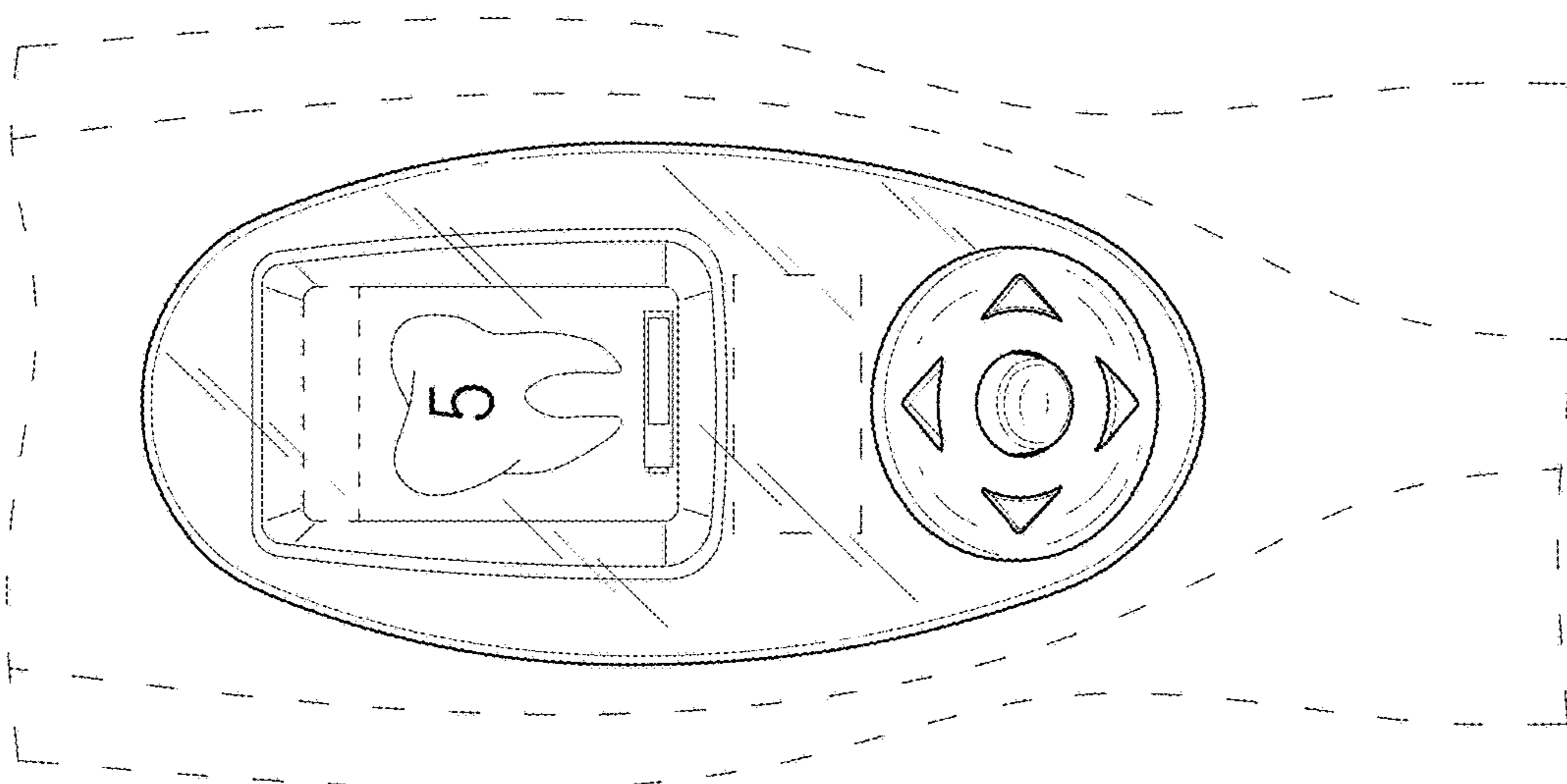
1.3



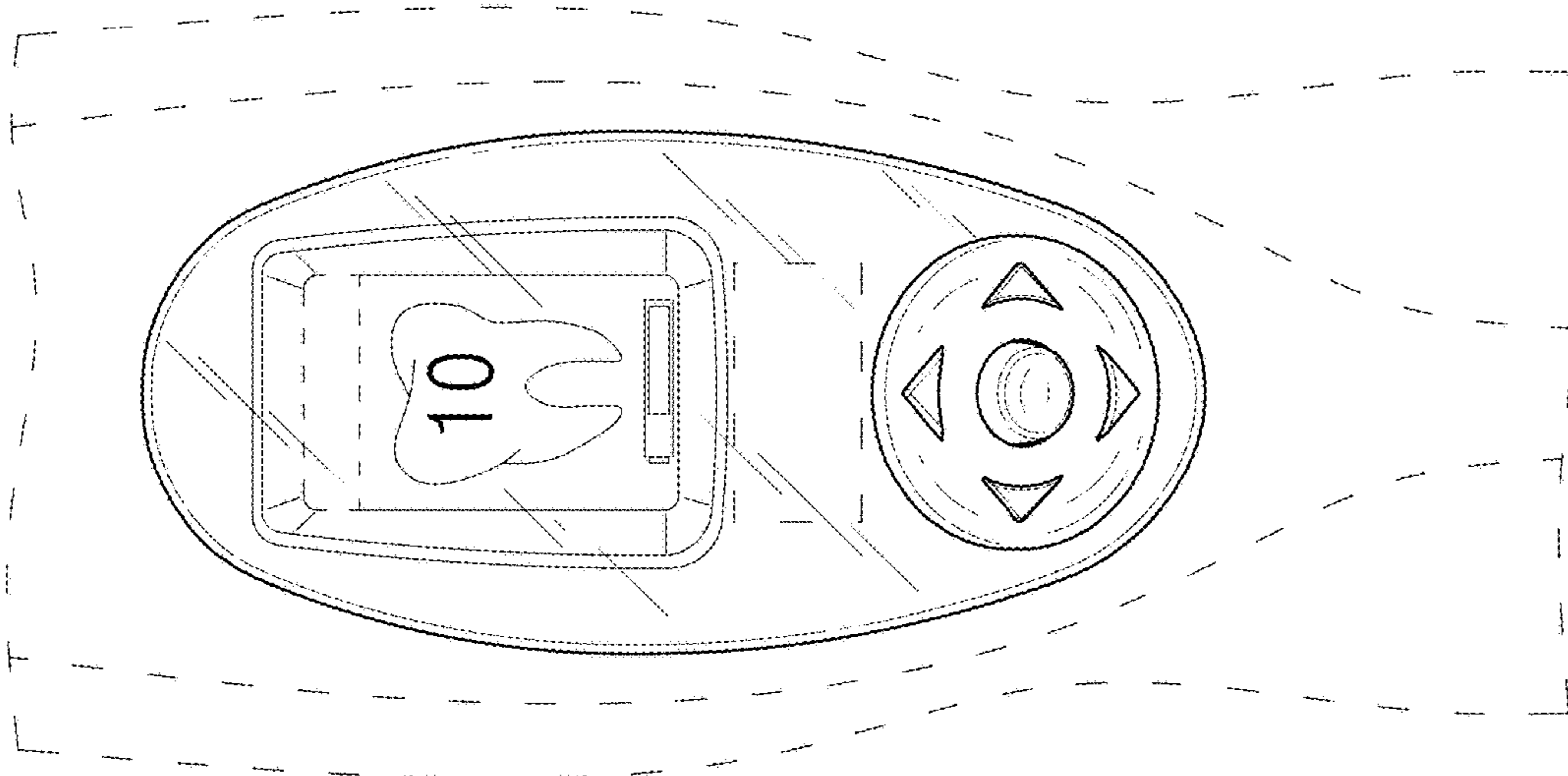


1.4

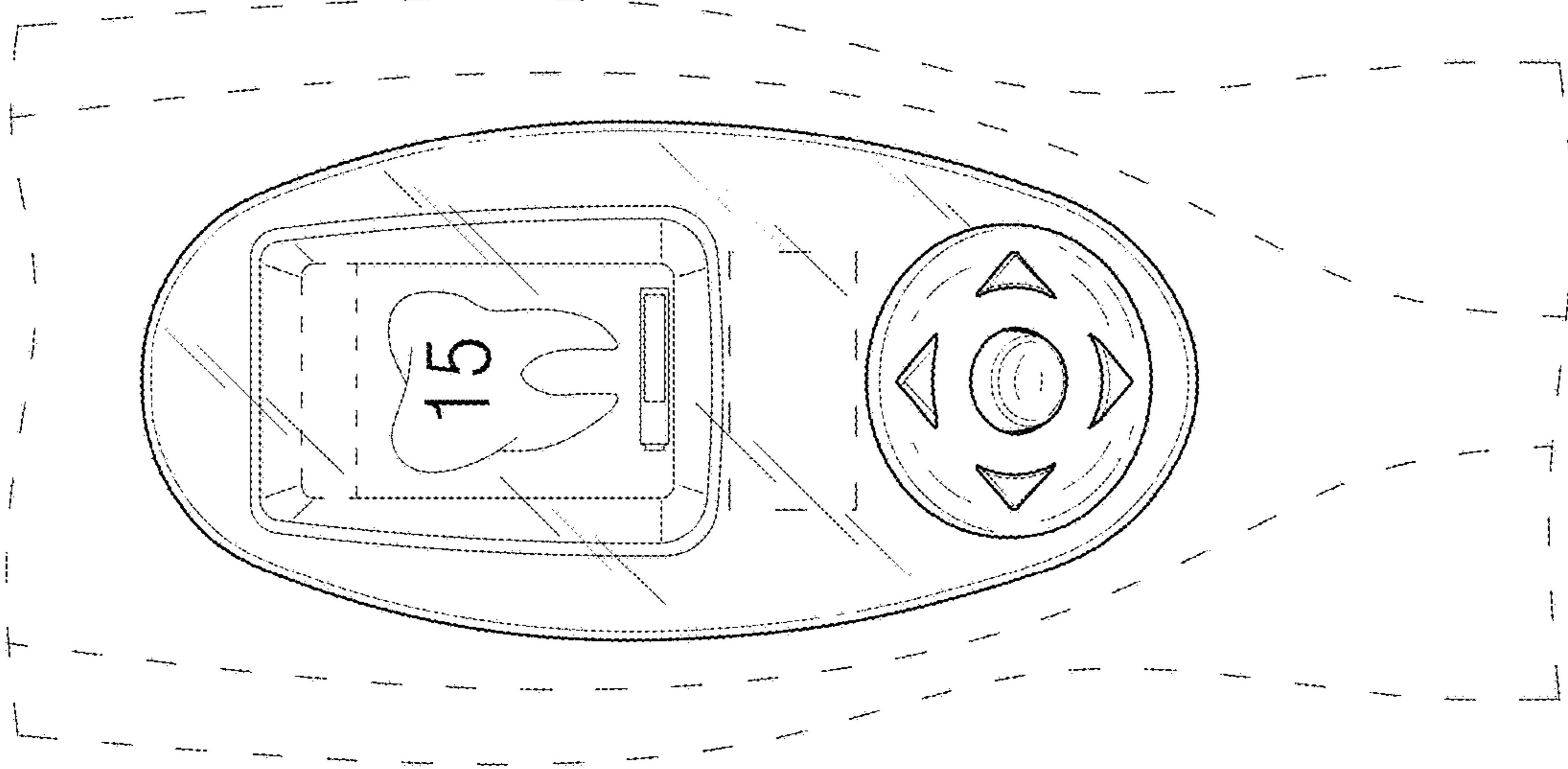
1.5



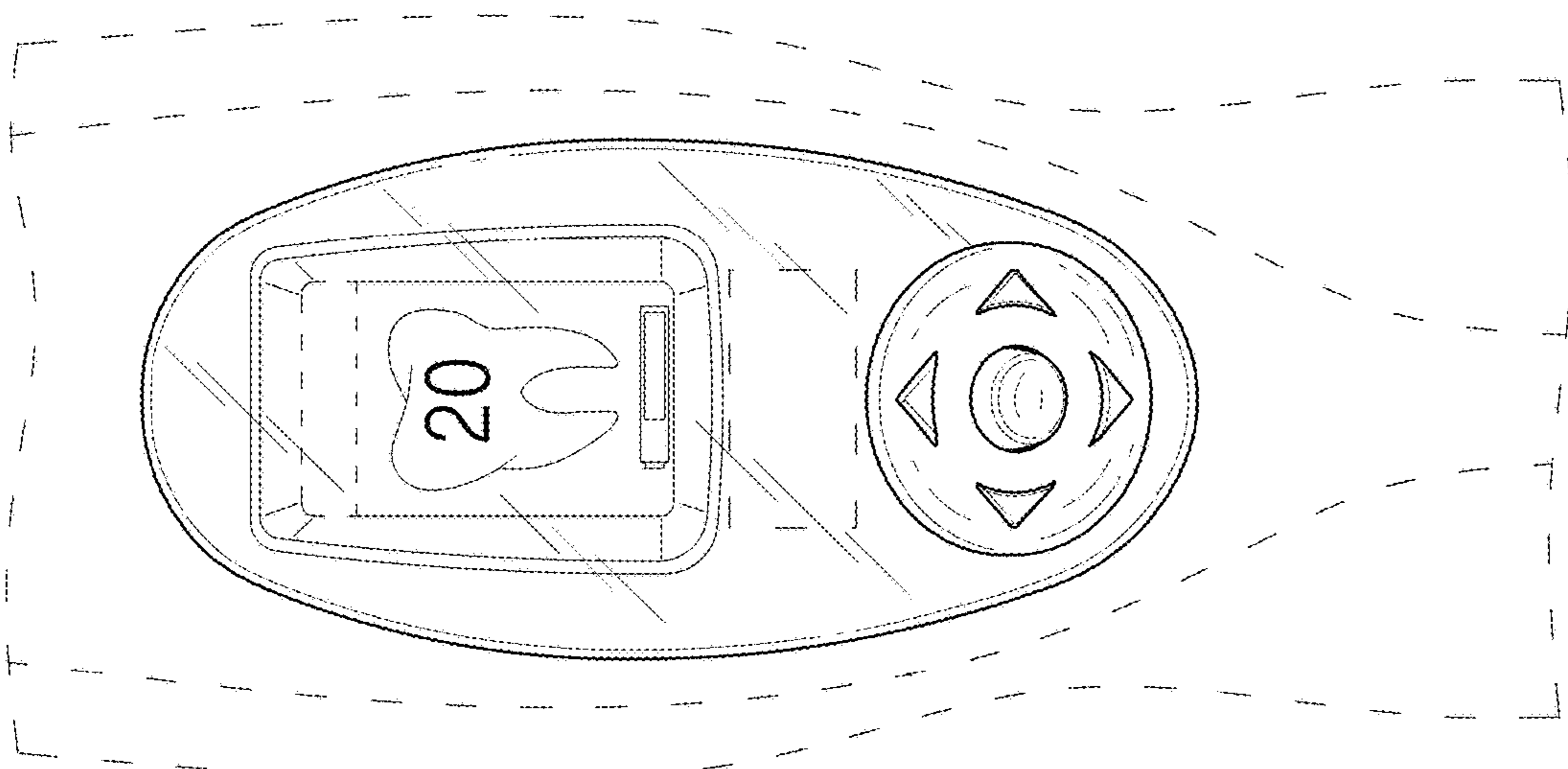
1.6



1.7



1.8



1.9

