



US00D828561S

(12) **United States Design Patent**  
**Kheradpir et al.**

(10) **Patent No.:** **US D828,561 S**  
(45) **Date of Patent:** **\*\* Sep. 11, 2018**

- (54) **POINTER TOOL**
- (71) Applicants: **Leila Kheradpir**, Toronto (CA); **Kyle Richard Dupont**, Toronto (CA); **Jakub Jankowski**, Toronto (CA); **Samson Ng**, Toronto (CA)
- (72) Inventors: **Leila Kheradpir**, Toronto (CA); **Kyle Richard Dupont**, Toronto (CA); **Jakub Jankowski**, Toronto (CA); **Samson Ng**, Toronto (CA)
- (73) Assignee: **SYNAPTIVE MEDICAL (Barbados) Inc.**, Bridgetown (BB)

(\*\*) Term: **15 Years**

(21) Appl. No.: **29/622,557**

(22) Filed: **Oct. 18, 2017**

**Related U.S. Application Data**

(63) Continuation-in-part of application No. 29/557,339, filed on Mar. 8, 2016, now Pat. No. Des. 806,247.

(51) **LOC (11) Cl.** ..... **24-02**

(52) **U.S. Cl.**  
USPC ..... **D24/147**

(58) **Field of Classification Search**  
USPC ..... D24/108, 112, 133, 134, 137, 138, 140, D24/146, 147  
CPC .... A61B 2034/2055; A61B 2090/3983; A61B 2034/252; A61B 5/064; A61B 5/103  
See application file for complete search history.

(56) **References Cited**

**U.S. PATENT DOCUMENTS**

- D420,132 S \* 2/2000 Bucholz ..... D24/140
- 6,711,431 B2 \* 3/2004 Sarin ..... A61B 5/103  
600/426

- 7,491,198 B2 \* 2/2009 Kockro ..... A61B 90/36  
600/117
- 7,643,862 B2 \* 1/2010 Schoenefeld ..... A61B 90/36  
600/407
- 7,993,353 B2 \* 8/2011 Roßner ..... A61B 90/39  
600/429
- 8,205,616 B2 \* 6/2012 Miyazaki ..... A61B 90/50  
128/845
- 8,357,165 B2 \* 1/2013 Grant ..... A61B 90/36  
606/86 R
- 8,800,939 B2 \* 8/2014 Karsak ..... A61L 317/1703  
248/74.1
- D732,663 S \* 6/2015 Miner ..... D24/128
- 2003/0181918 A1 \* 9/2003 Smothers ..... A61B 6/547  
606/86 R
- 2005/0113846 A1 \* 5/2005 Carson ..... A61F 2/461  
606/130
- 2017/0000579 A1 \* 1/2017 Mark ..... A61L 390/11

\* cited by examiner

*Primary Examiner* — Thomas Johannes

*Assistant Examiner* — Samantha Q. Lawrence

(74) *Attorney, Agent, or Firm* — Perry + Currier Inc.

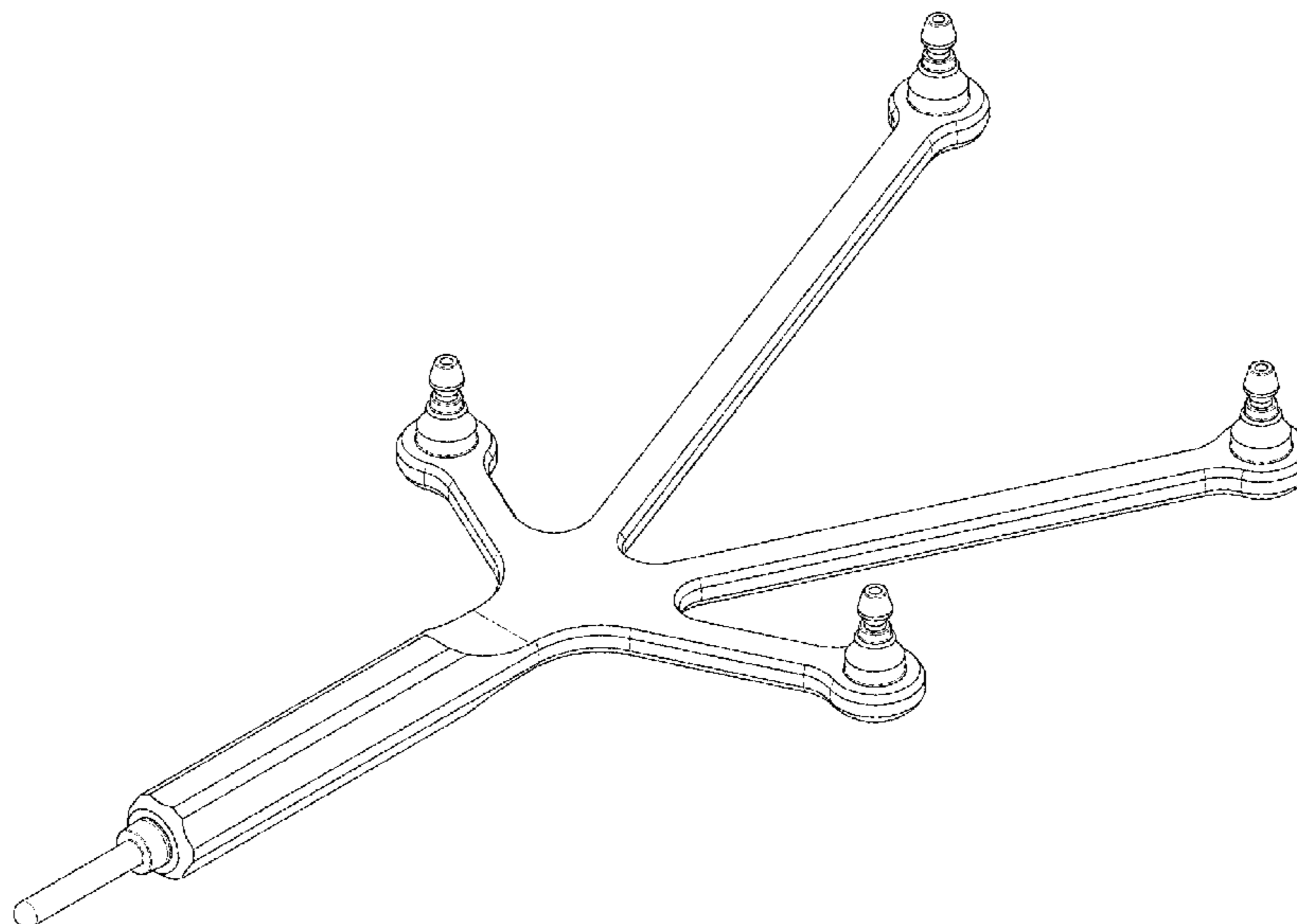
(57) **CLAIM**

We claim the ornamental design for a pointer tool, as shown and described.

**DESCRIPTION**

FIG. 1 is a front perspective view of a pointer tool, showing our new design;  
 FIG. 2 is a front plan view thereof;  
 FIG. 3 is a back plan view thereof;  
 FIG. 4 is a front elevation view thereof;  
 FIG. 5 is a back elevation view thereof;  
 FIG. 6 is a right side view thereof; and,  
 FIG. 7 is a left side elevation view thereof.

**1 Claim, 5 Drawing Sheets**



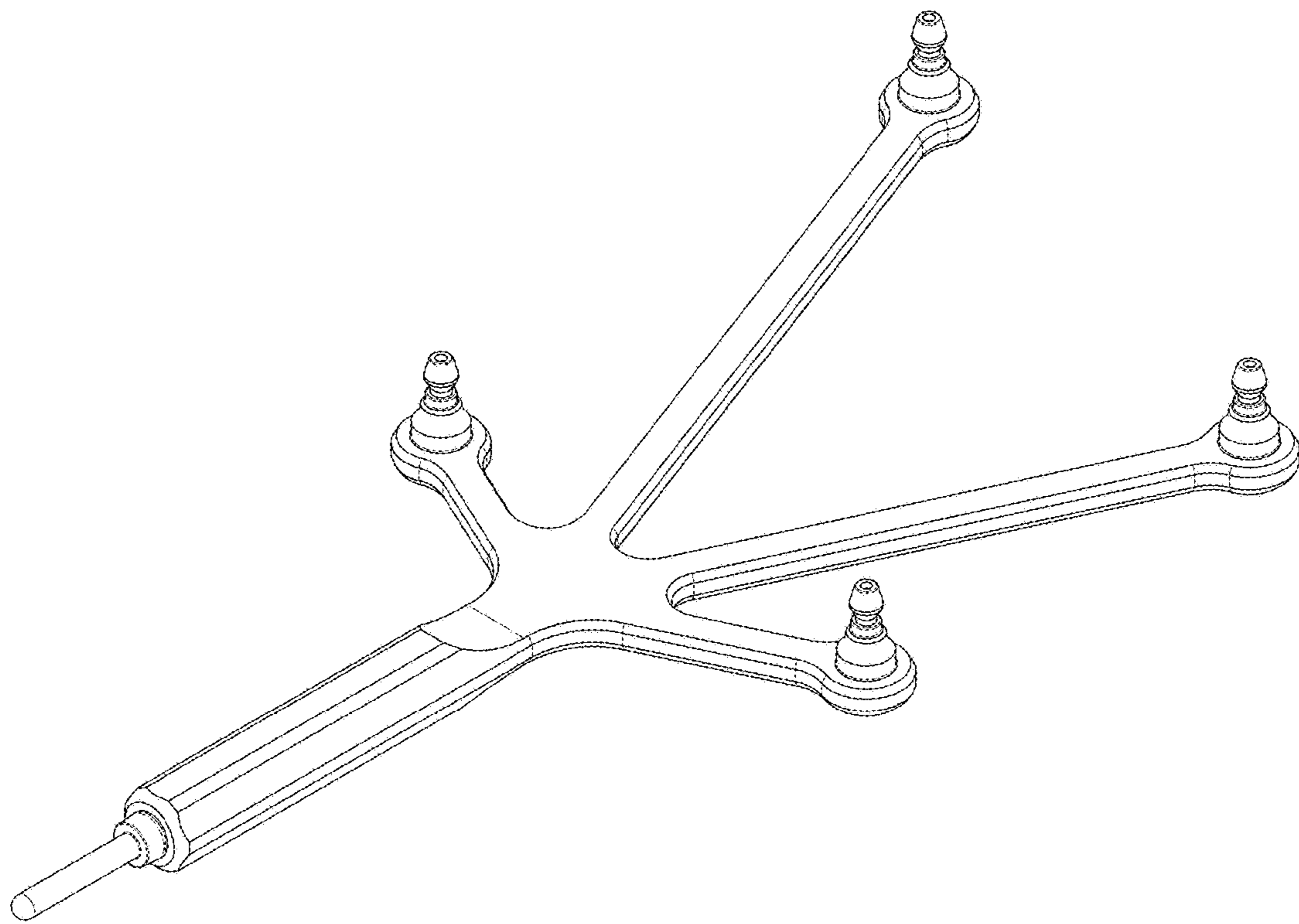


FIG.1

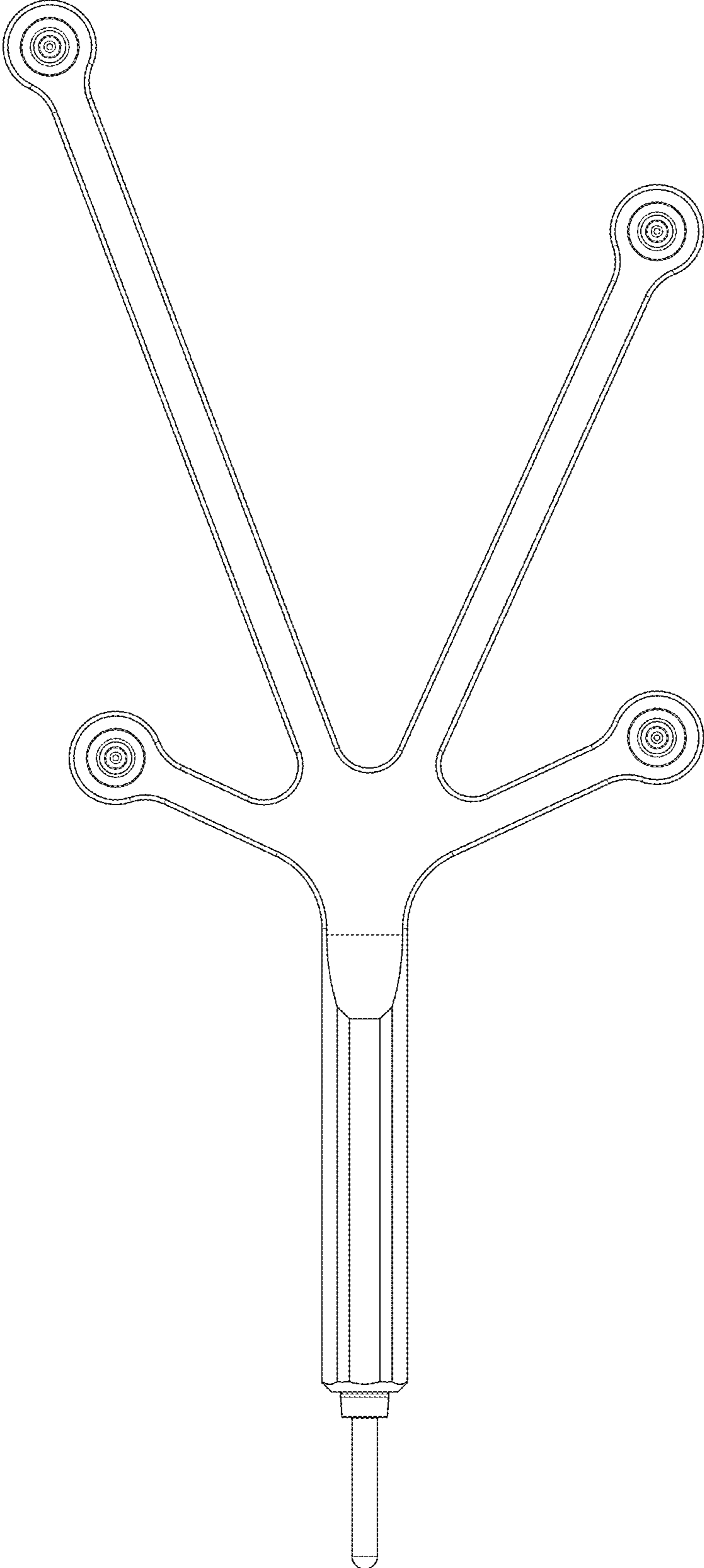


FIG.2

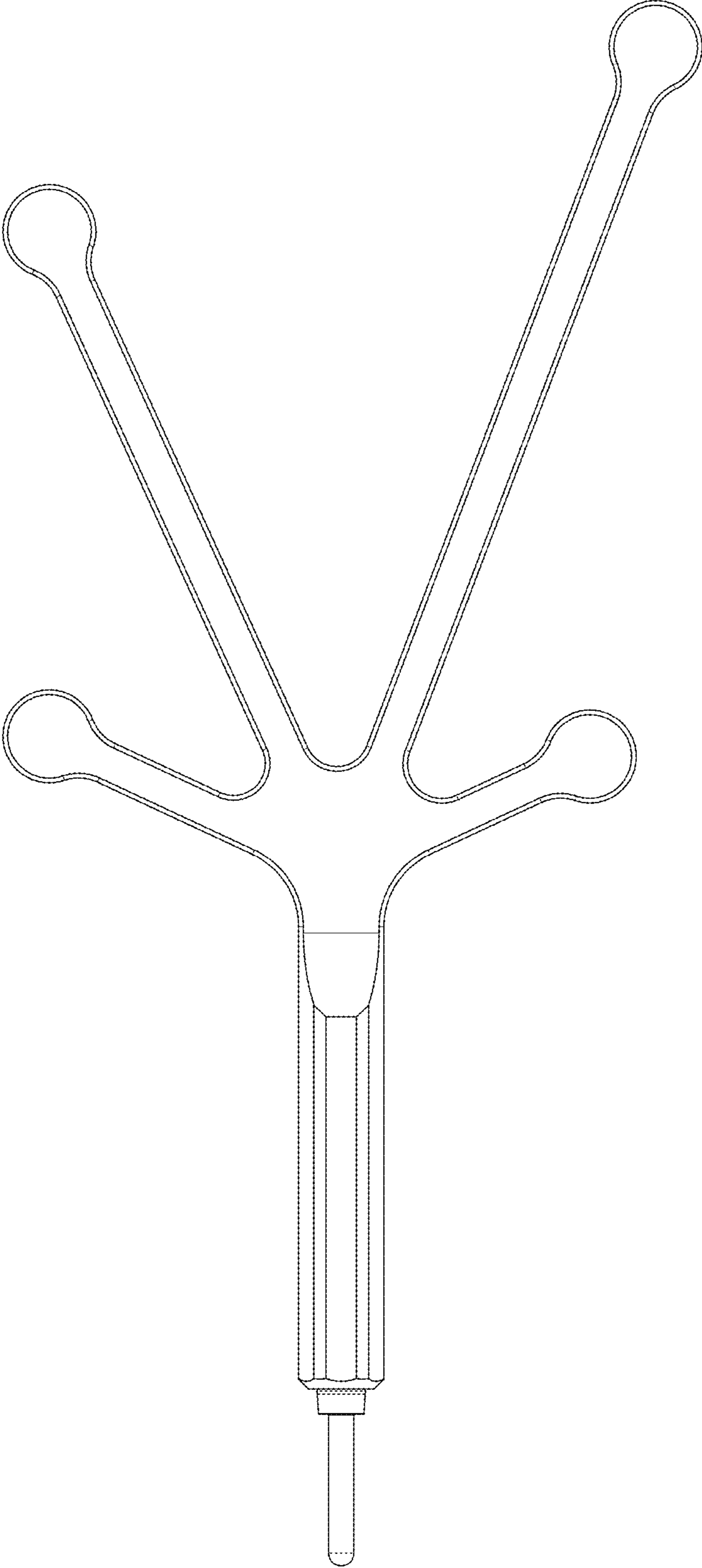


FIG.3

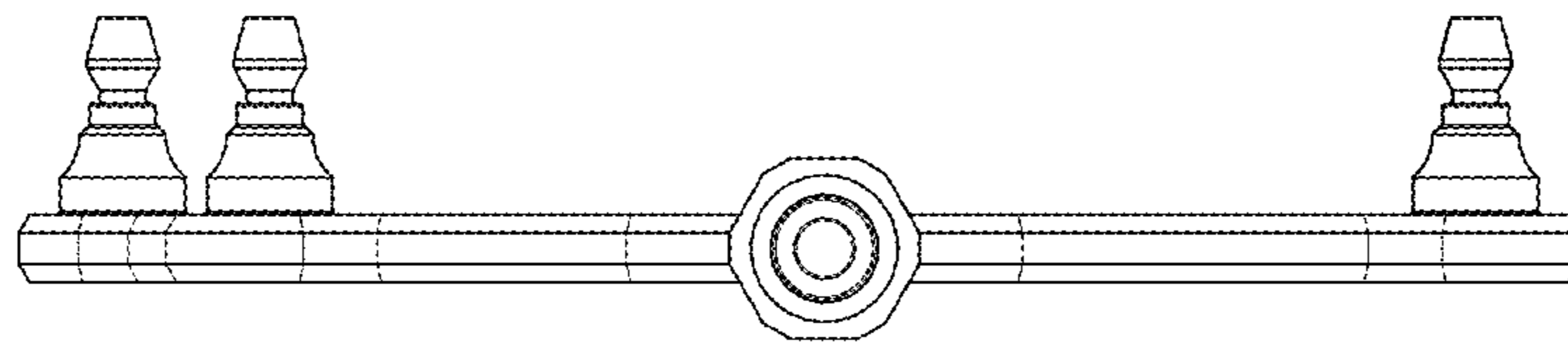


FIG.4

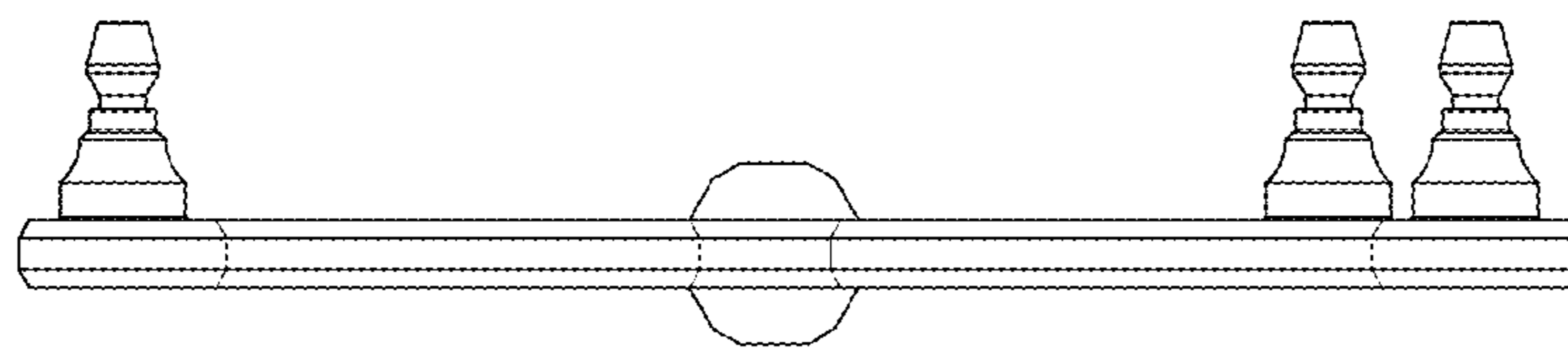


FIG.5

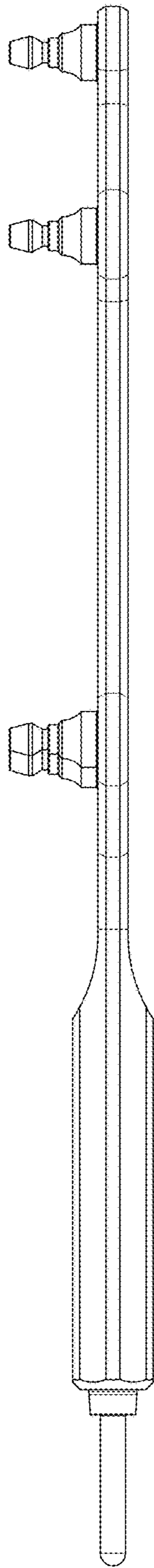


FIG. 6

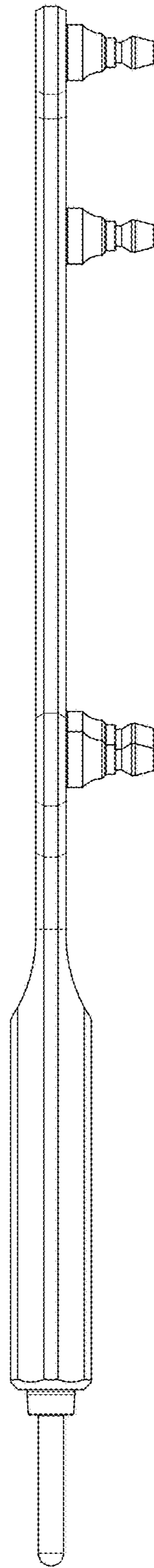


FIG. 7