



US00D828559S

(12) **United States Design Patent** (10) **Patent No.:** **US D828,559 S**  
**Khubani et al.** (45) **Date of Patent:** **\*\* Sep. 11, 2018**

(54) **ACROCHORDON REMOVAL APPARATUS**

(71) Applicant: **Telebrands Corp.**, Fairfield, NJ (US)

(72) Inventors: **Ajit Khubani**, Saddle River, NJ (US);  
**Ryan Kelly**, Yorktown Heights, NY (US)

(73) Assignee: **Telebrands Corp.**, Fairfield, NJ (US)

(\*\*) Term: **15 Years**

(21) Appl. No.: **29/575,369**

(22) Filed: **Aug. 24, 2016**

(51) **LOC (11) Cl.** ..... **24-02**

(52) **U.S. Cl.**  
USPC ..... **D24/146**

(58) **Field of Classification Search**  
USPC ..... D24/133, 146, 147, 149, 143; D7/685,  
D7/686; D28/55; 606/131, 210, 211;  
D8/48, 99, 41, 102, 103, 107  
CPC ..... A61B 2017/00761; A61B 17/085; A61B  
17/22031; A61B 2017/00747  
See application file for complete search history.

(56) **References Cited**

**U.S. PATENT DOCUMENTS**

D691,266 S \* 10/2013 Fink ..... D24/146  
D691,721 S \* 10/2013 Scheibel ..... D24/146

D731,055 S \* 6/2015 Hyde ..... D24/143  
D796,040 S \* 8/2017 Preis ..... D24/143  
D804,025 S \* 11/2017 Linnenschmidt ..... D24/143  
2016/0143654 A1 \* 5/2016 Zantop ..... A61B 17/32  
606/131

\* cited by examiner

*Primary Examiner* — Thomas Johannes

*Assistant Examiner* — Samantha Q Lawrence

(74) *Attorney, Agent, or Firm* — Cooper & Dunham LLP

(57) **CLAIM**

The ornamental design for an acrochordon removal apparatus, as shown and described.

**DESCRIPTION**

FIG. 1 is a front perspective view of an acrochordon removal apparatus in accordance with the present design; FIG. 2 is a back perspective view thereof; FIG. 3 is a back view thereof; FIG. 4 is a front view thereof; FIG. 5 is a left side view thereof; FIG. 6 is a right side view thereof; FIG. 7 is a top view thereof; and, FIG. 8 is a bottom view thereof. The broken lines shown in FIG. 3 illustrate portions of the acrochordon removal apparatus that form no part of the claimed design.

**1 Claim, 3 Drawing Sheets**

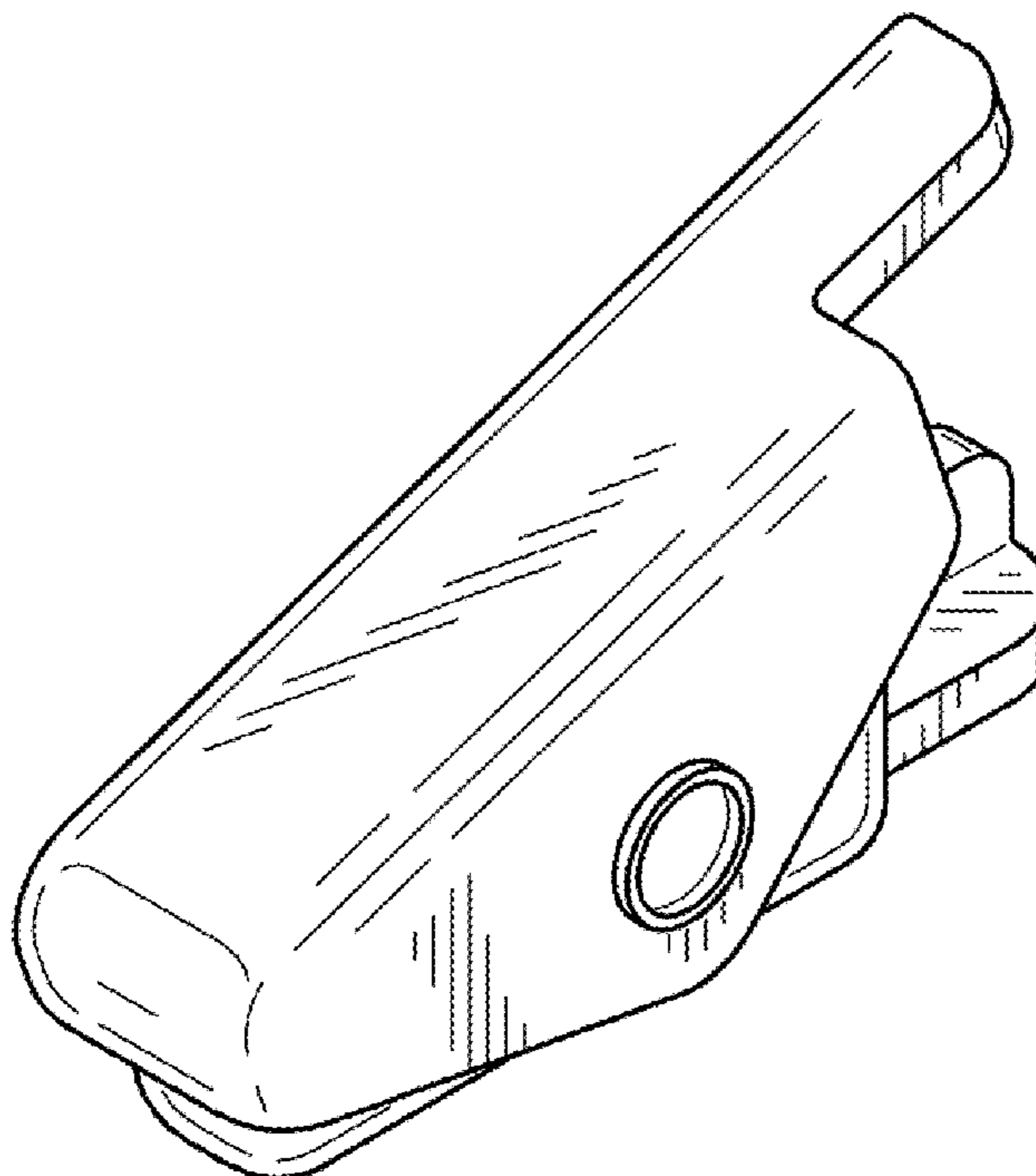


FIG. 1

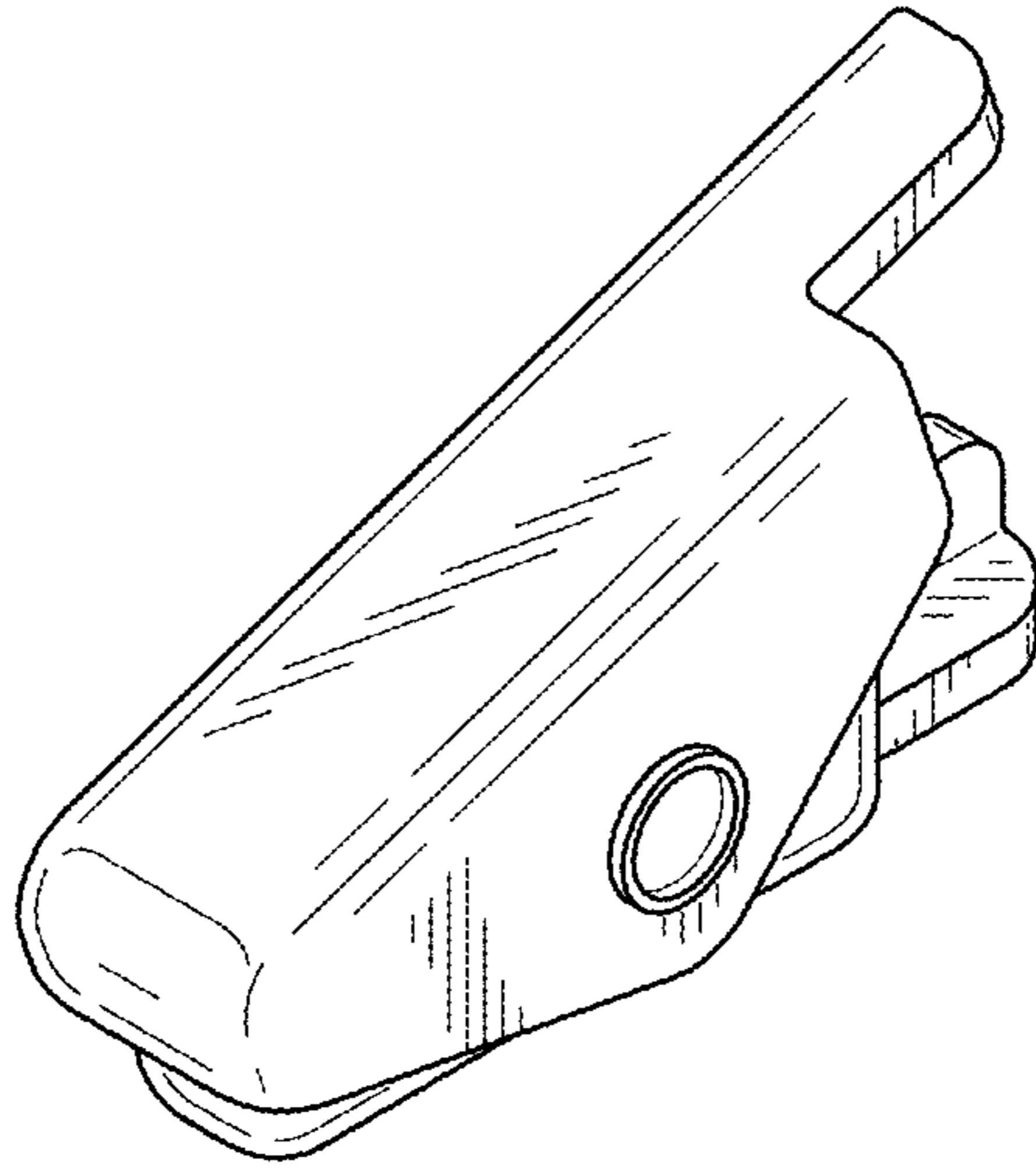
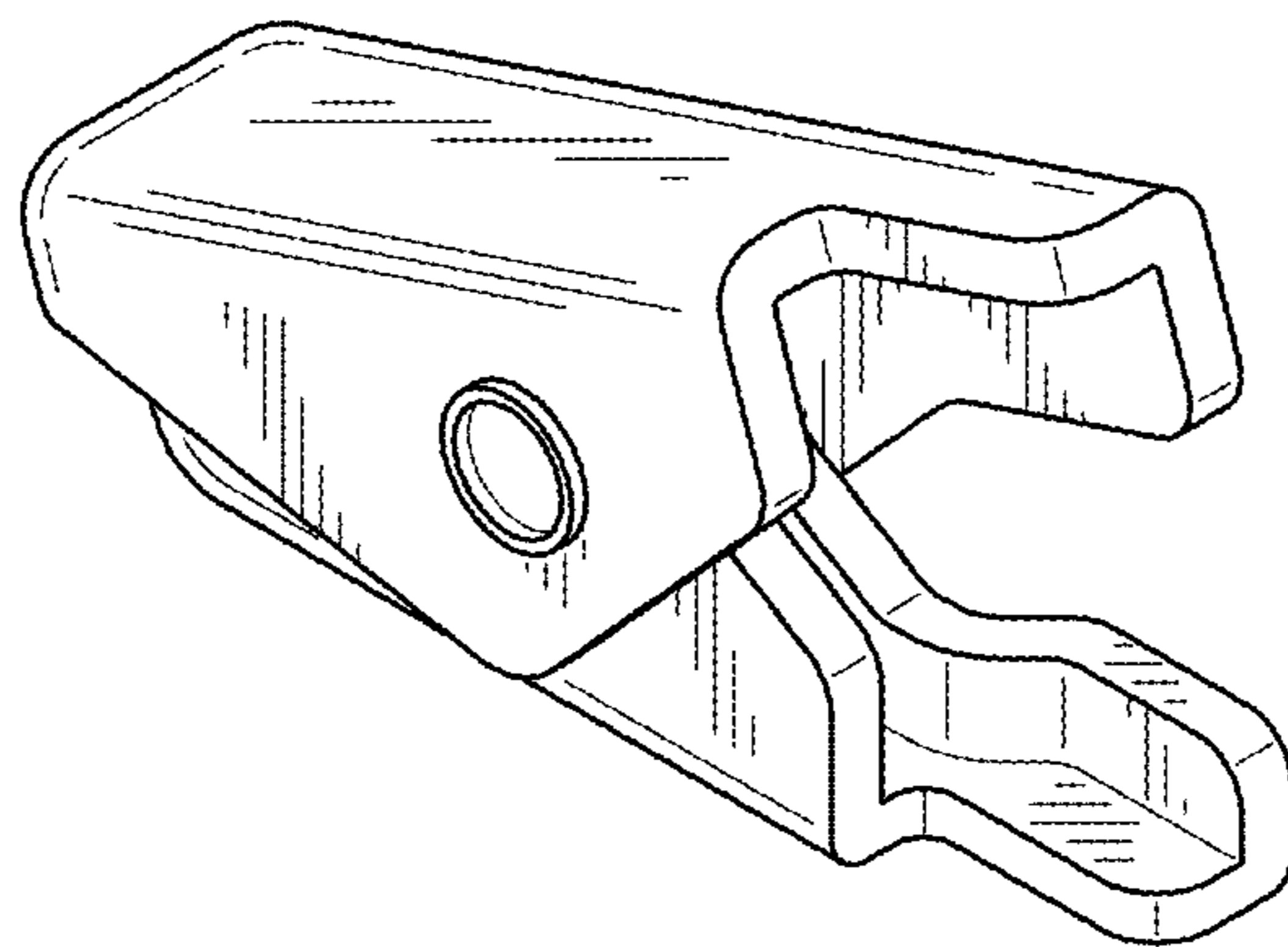
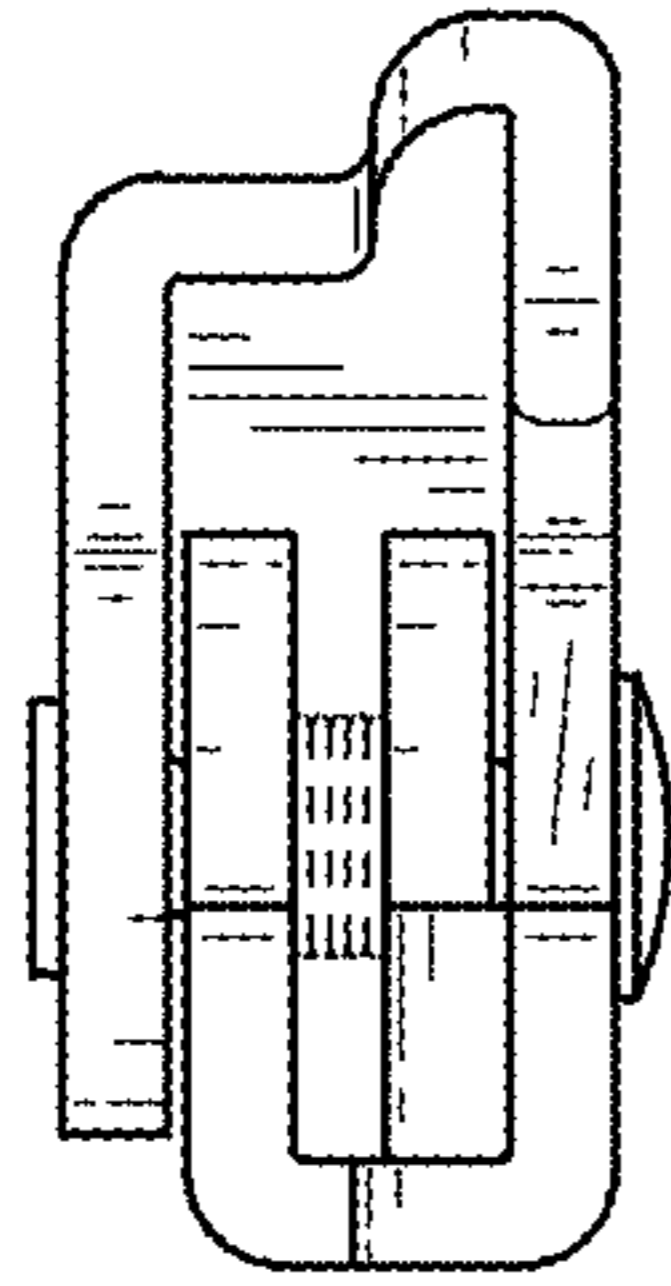


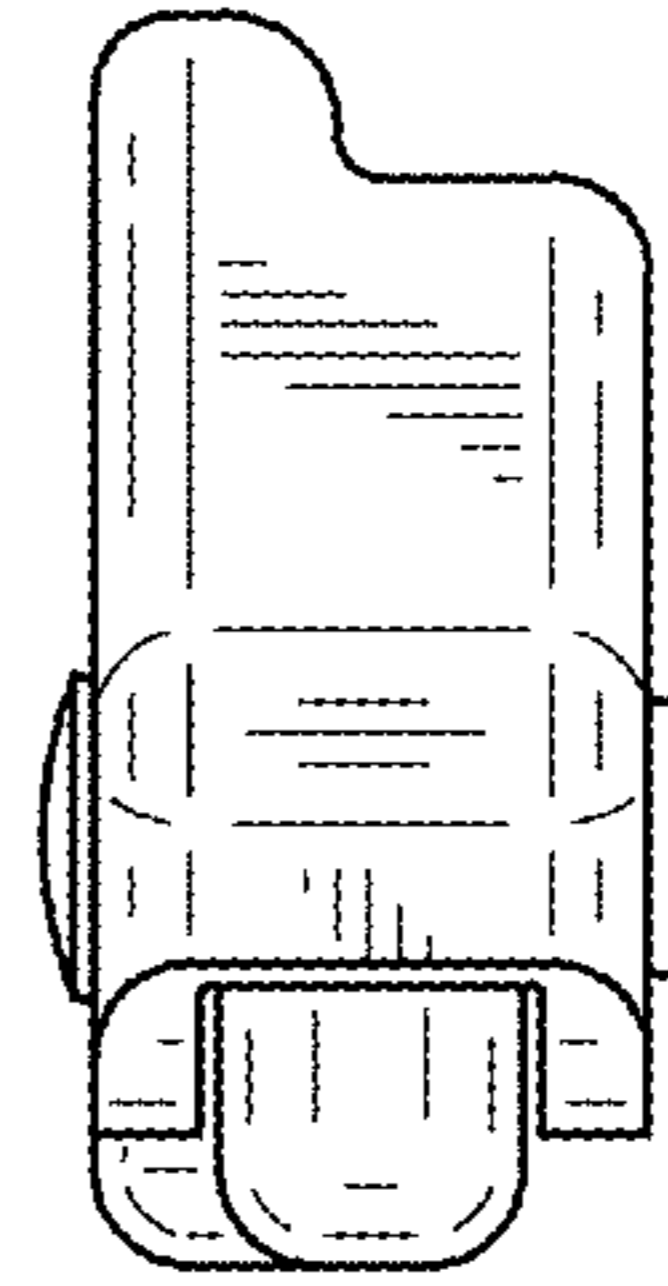
FIG. 2



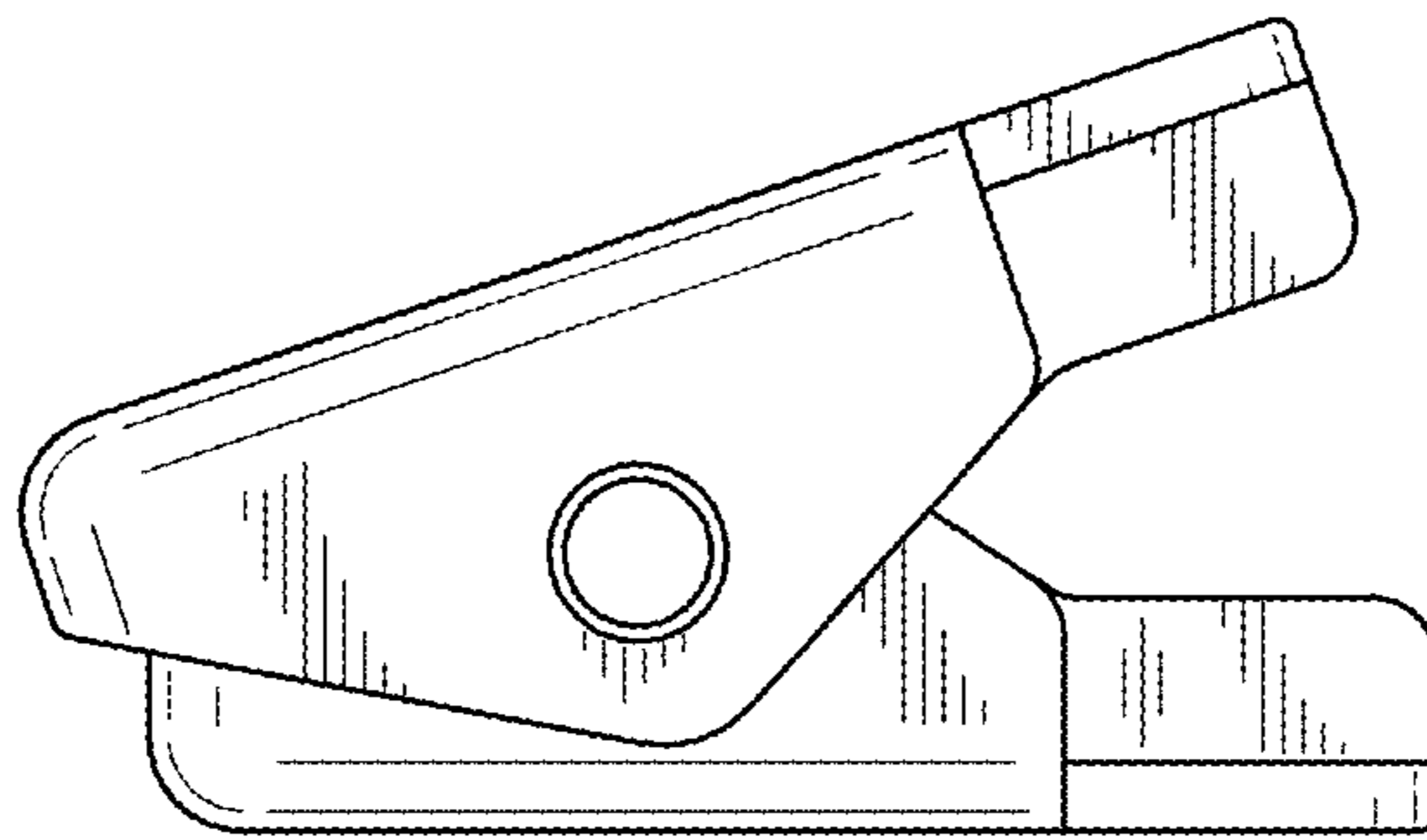
*FIG. 3*



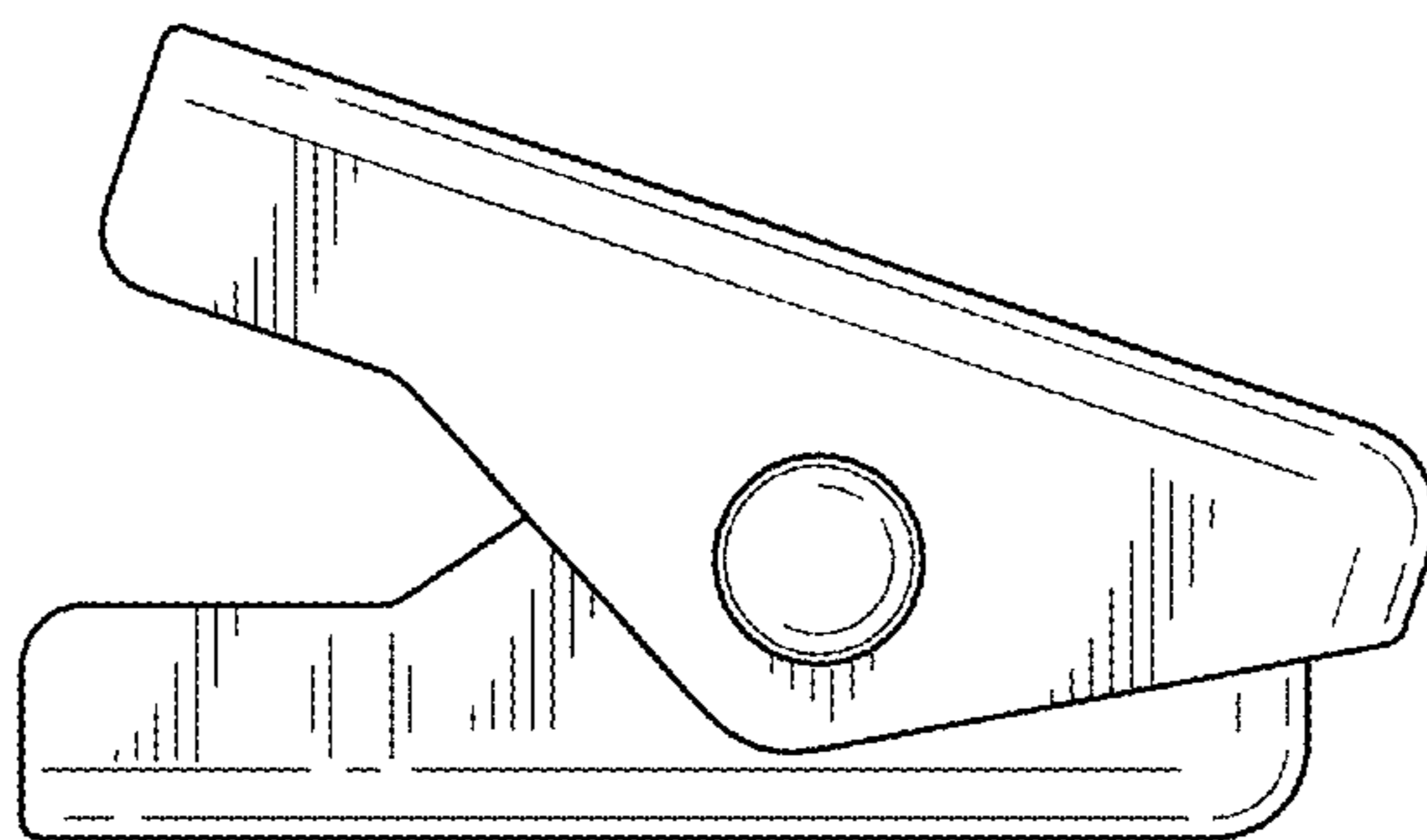
*FIG. 4*



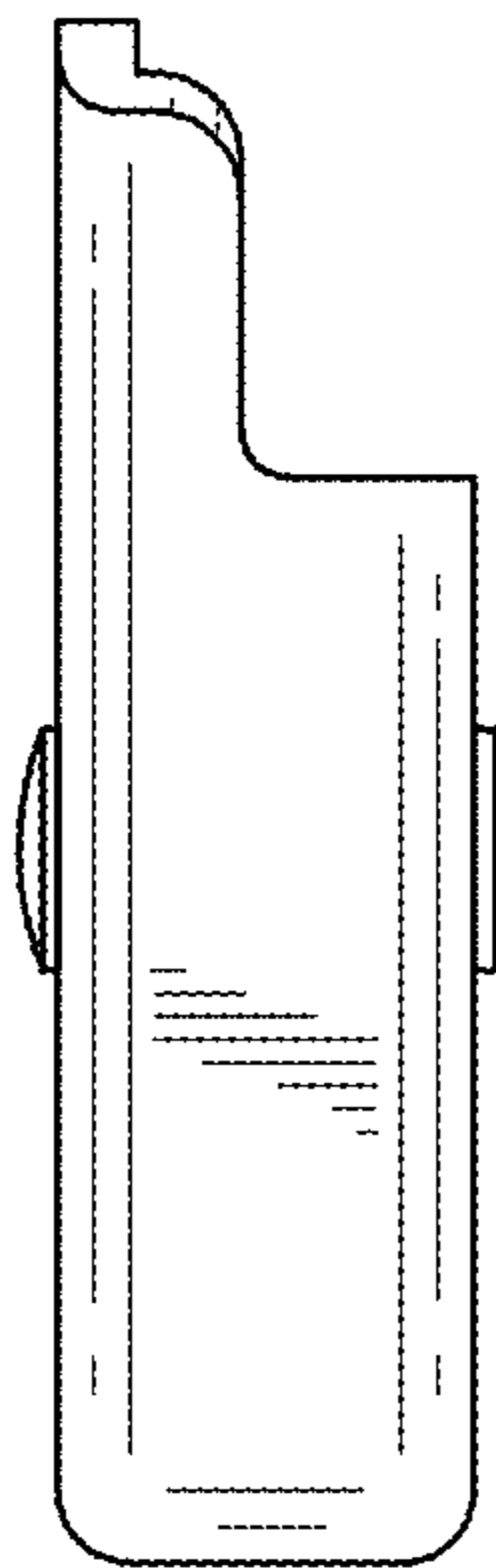
*FIG. 5*



*FIG. 6*



*FIG. 7*



*FIG. 8*

