



US00D828558S

(12) **United States Design Patent** (10) **Patent No.:** **US D828,558 S**
Haerle et al. (45) **Date of Patent:** **** Sep. 11, 2018**

(54) **MEDICAL PUNCH**

(71) Applicant: **Karl Storz GmbH & Co. KG**,
Tuttlingen (DE)
(72) Inventors: **Max Haerle**, Ludwigsburg (DE);
Tobias Unger, Tuttlingen (DE);
Andreas Probst, Tuttlingen (DE)
(73) Assignee: **KARL STORZ GmbH & Co. KG**,
Tuttlingen (DE)

(**) Term: **15 Years**

(21) Appl. No.: **29/564,296**

(22) Filed: **May 12, 2016**

(30) **Foreign Application Priority Data**

Nov. 13, 2015 (EM) 002858100-0002
Nov. 13, 2015 (EM) 002858100-0004

(51) **LOC (11) Cl.** **24-02**

(52) **U.S. Cl.**
USPC **D24/146**

(58) **Field of Classification Search**
USPC D24/146, 147, 133, 143, 144, 148;
600/564; 606/167, 170, 172, 174, 142,
606/184, 205-208
CPC A61B 17/1608; A61B 2017/2926; A61B
2017/2931; A61B 2017/2934; A61B
2017/2939; A61B 17/1675; A61B
17/320016; A61B 2017/2937; A61B
2017/2946; A61B 17/0483
See application file for complete search history.

(56) **References Cited**

U.S. PATENT DOCUMENTS

5,112,346 A * 5/1992 Hildebrandt A61B 17/1608
30/251
D634,427 S * 3/2011 Nishimura D24/148
D640,790 S * 6/2011 Nishimura D24/146
(Continued)

OTHER PUBLICATIONS

U.S. Appl. No. 29/535,680, filed Aug. 10, 2015, Lautemann et al.
(Continued)

Primary Examiner — Cathron C Brooks
Assistant Examiner — Samantha Q. Lawrence
(74) *Attorney, Agent, or Firm* — Muncy, Geissler, Olds &
Lowe, P.C.

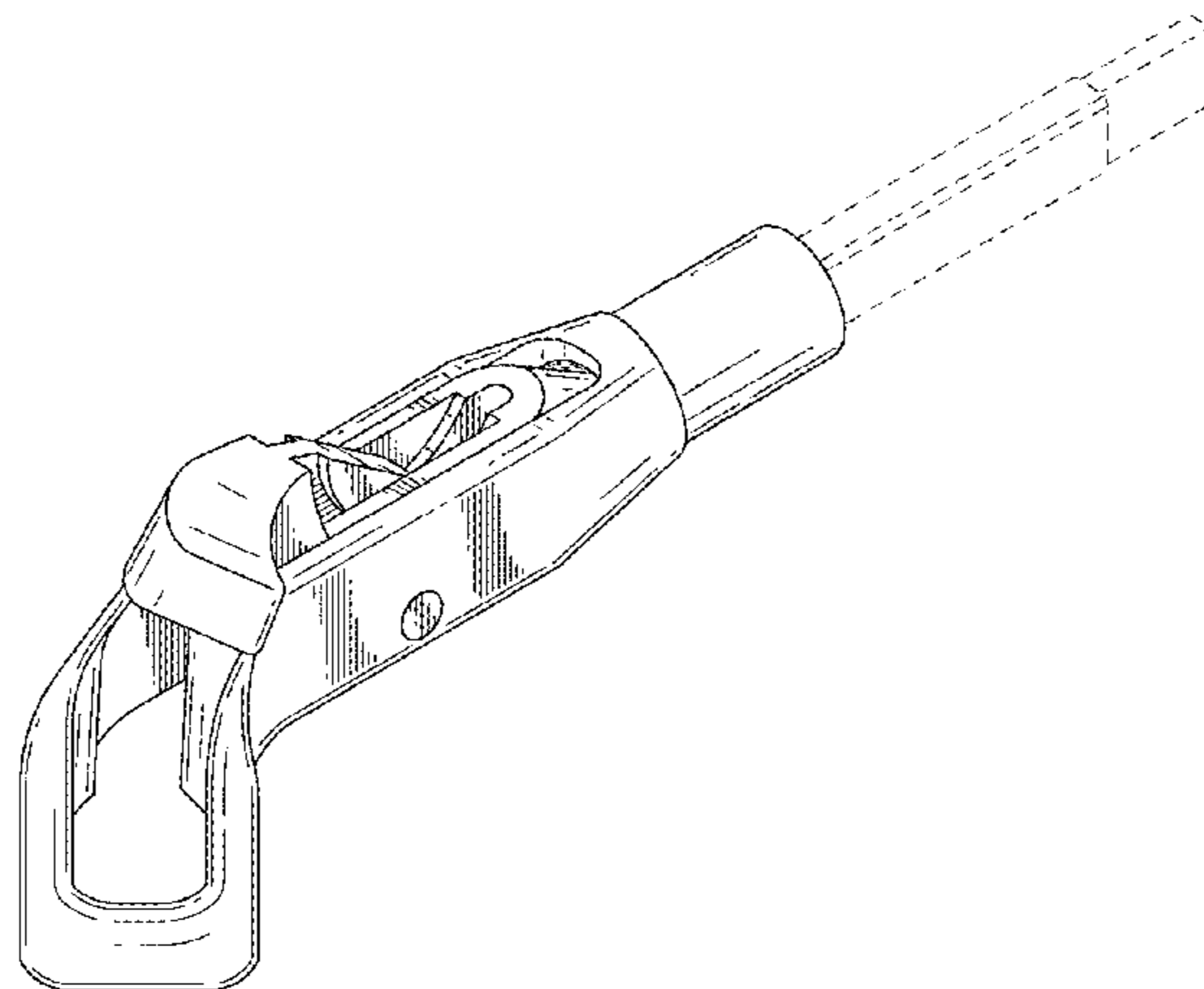
(57) **CLAIM**

The ornamental design for a medical punch, as shown and described.

DESCRIPTION

FIG. 1 is a right-angled perspective view of a medical punch according to the present invention.
FIG. 2 is a front view of the medical punch of FIG. 1.
FIG. 3 is a rear view of the medical punch of FIG. 1.
FIG. 4 is a left side view of the medical punch of FIG. 1.
FIG. 5 is a right side view of the medical punch of FIG. 1.
FIG. 6 is a top view of the medical punch of FIG. 1.
FIG. 7 is a bottom view of the medical punch of FIG. 1.
FIG. 8 is a left-angled perspective view of a medical punch according to the present invention.
FIG. 9 is a front view of the medical punch of FIG. 8.
FIG. 10 is a rear view of the medical punch of FIG. 8.
FIG. 11 is a left side view of the medical punch of FIG. 8.
FIG. 12 is a right side view of the medical punch of FIG. 8.
FIG. 13 is a top view of the medical punch of FIG. 8; and, FIG. 14 is a bottom view of the medical punch of FIG. 8.
The broken lines shown in FIGS. 1, 3-8 and 10-14 illustrate portions of the medical punch that form no part of the claimed design.

1 Claim, 14 Drawing Sheets



(56)

References Cited

U.S. PATENT DOCUMENTS

8,382,789 B2 * 2/2013 Weber A61B 17/2909
606/205
D677,386 S * 3/2013 Bisleri D24/148
D691,266 S 10/2013 Fink et al.
D691,721 S 10/2013 Scheibel et al.
D788,916 S * 6/2017 Lautemann D24/143
D788,917 S * 6/2017 Lautemann D24/143
D788,918 S * 6/2017 Lautemann D24/143
D788,919 S * 6/2017 Lautemann D24/143
D788,920 S * 6/2017 Lautemann D24/143

OTHER PUBLICATIONS

U.S. Appl. No. 29/535,682, filed Aug. 10, 2015, Lautemann et al.
U.S. Appl. No. 29/535,686, filed Aug. 10, 2015, Lautemann et al.
U.S. Appl. No. 29/535,768, filed Aug. 10, 2015, Lautemann et al.
U.S. Appl. No. 29/535,772, filed Aug. 10, 2015, Lautemann et al.
U.S. Appl. No. 29/535,775, filed Aug. 10, 2015, Lautemann et al.
Arthrex, "Arthroscopy Instruments," Brochure, pp. 1-24 (2013).

* cited by examiner

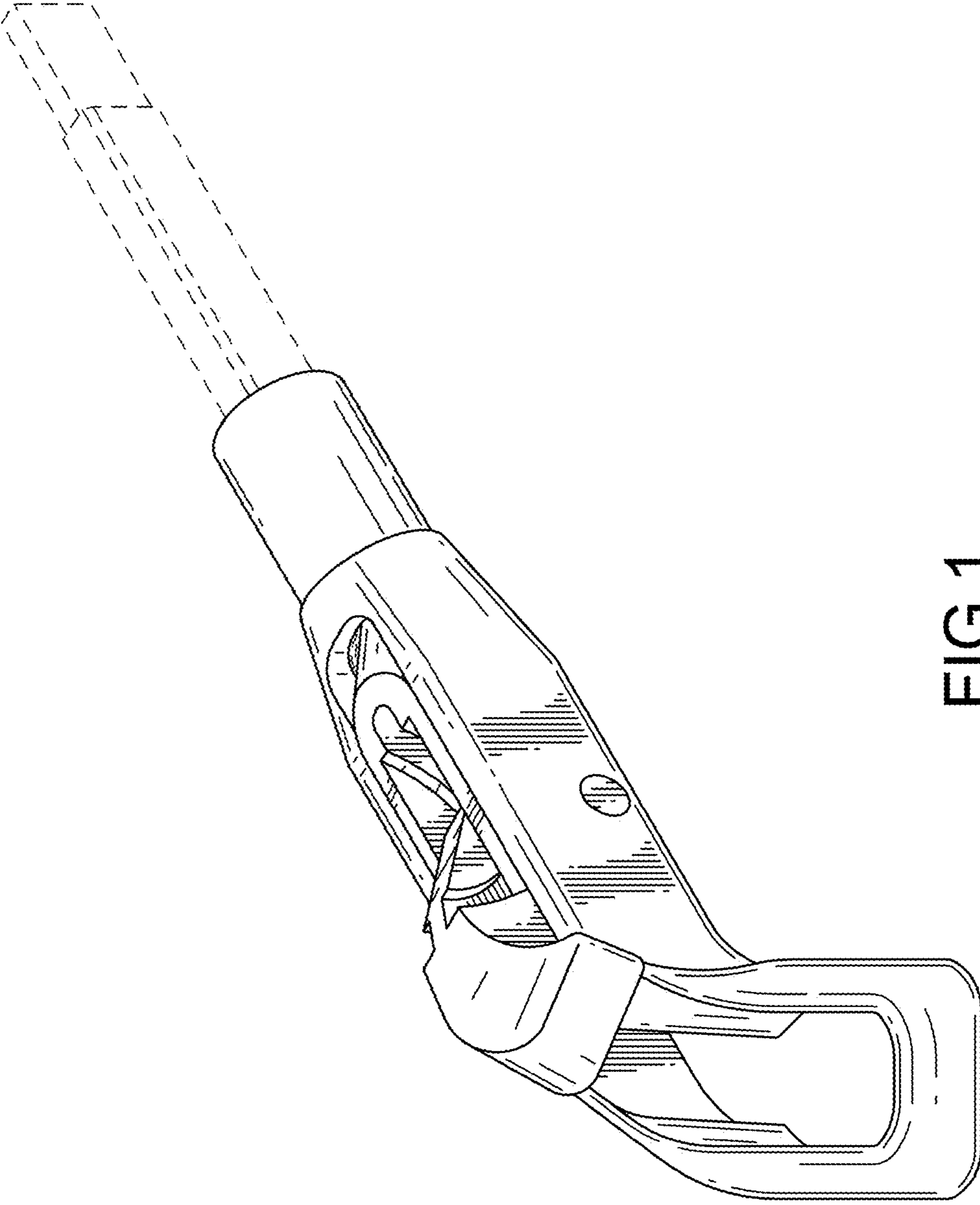


FIG.1

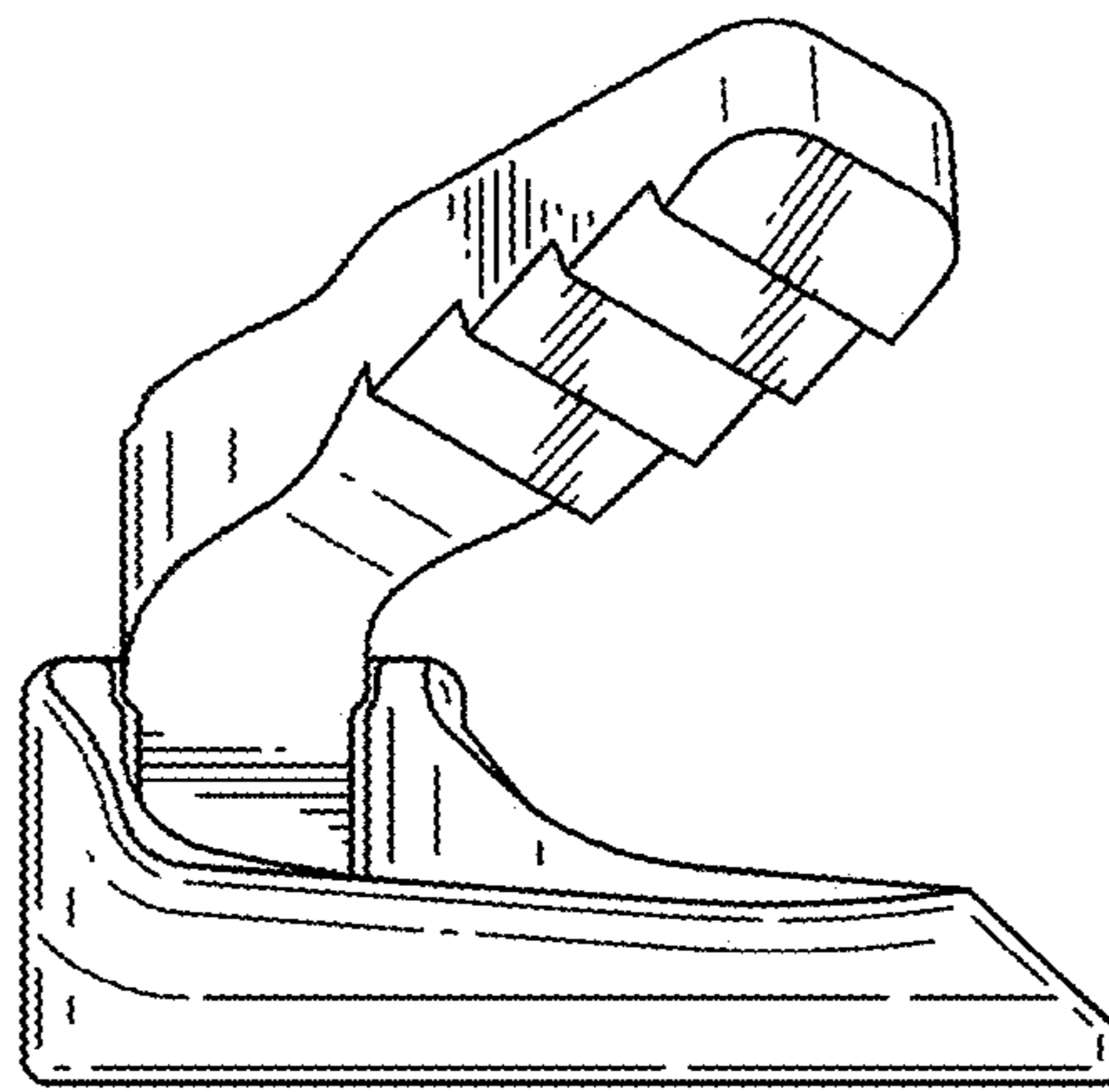


FIG. 2

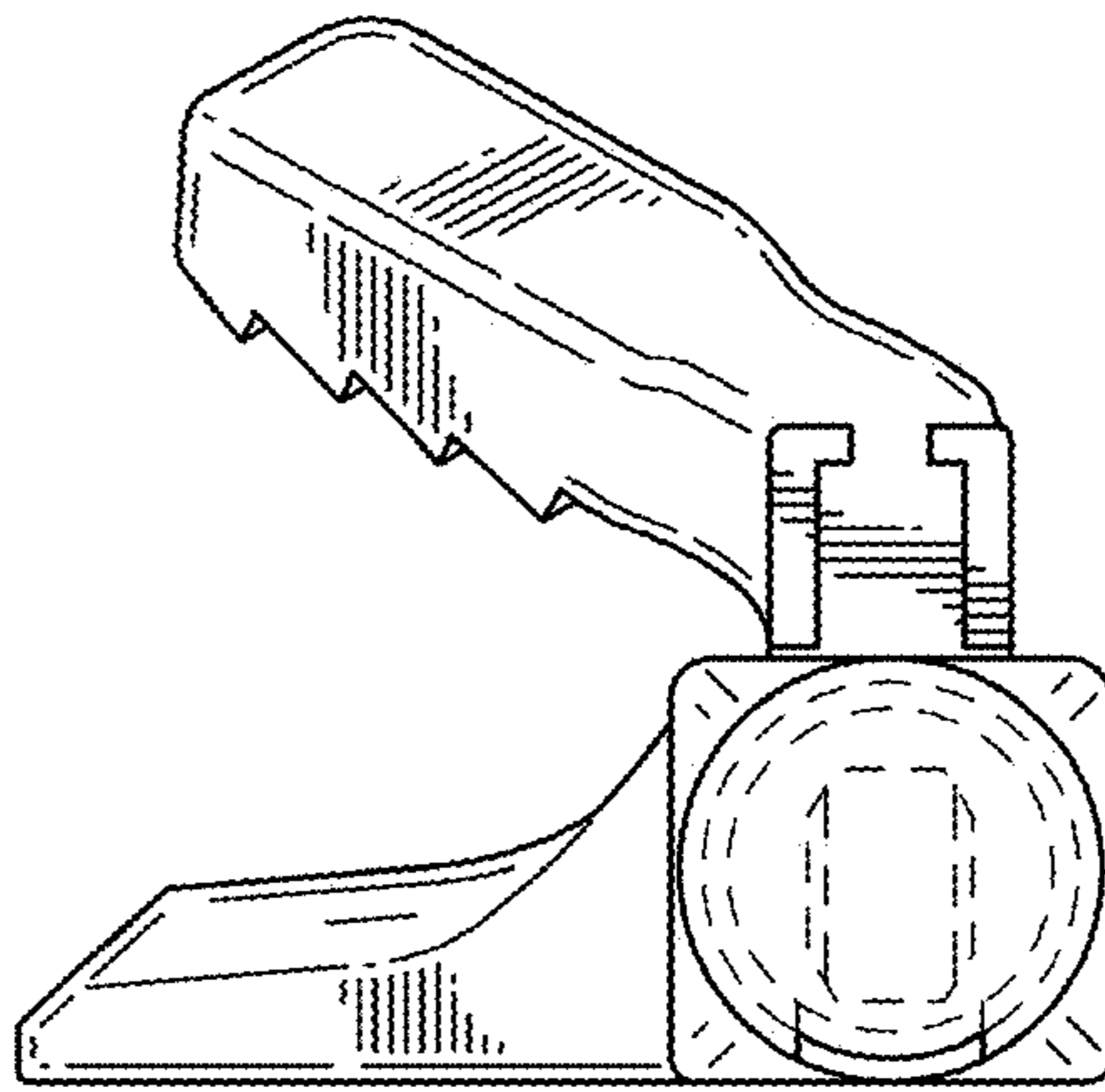


FIG.3

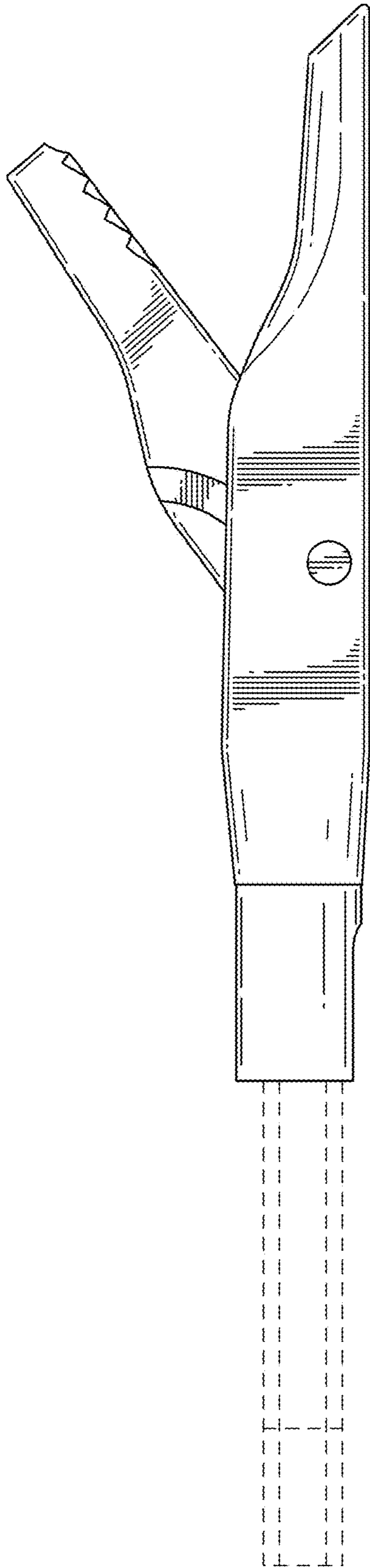


FIG.4

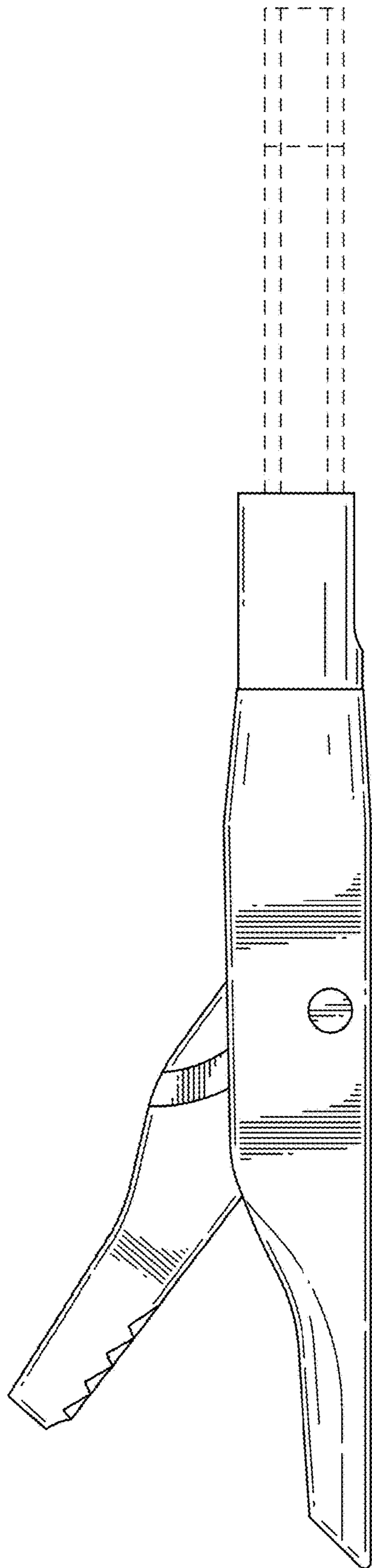


FIG.5

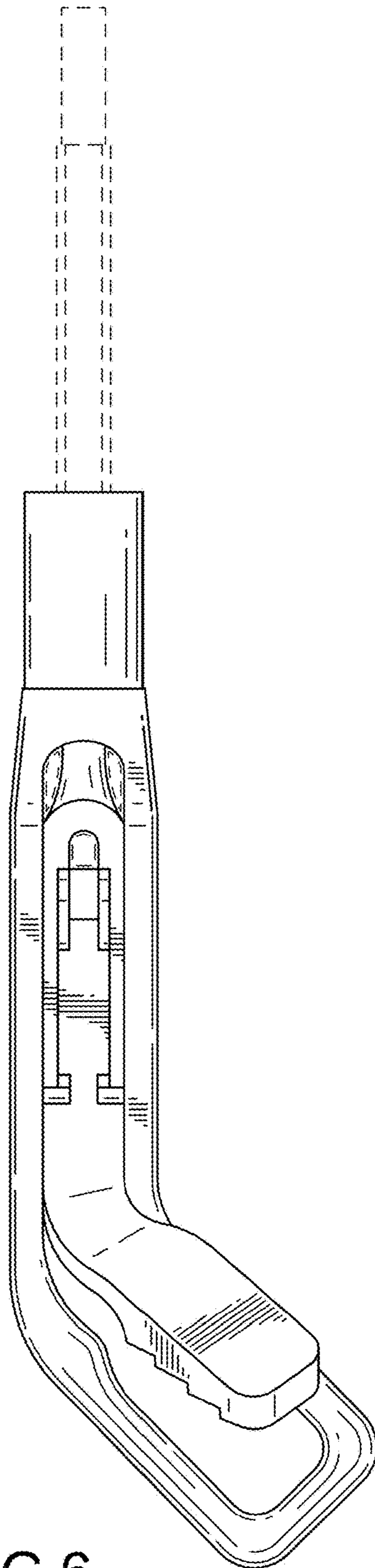


FIG. 6

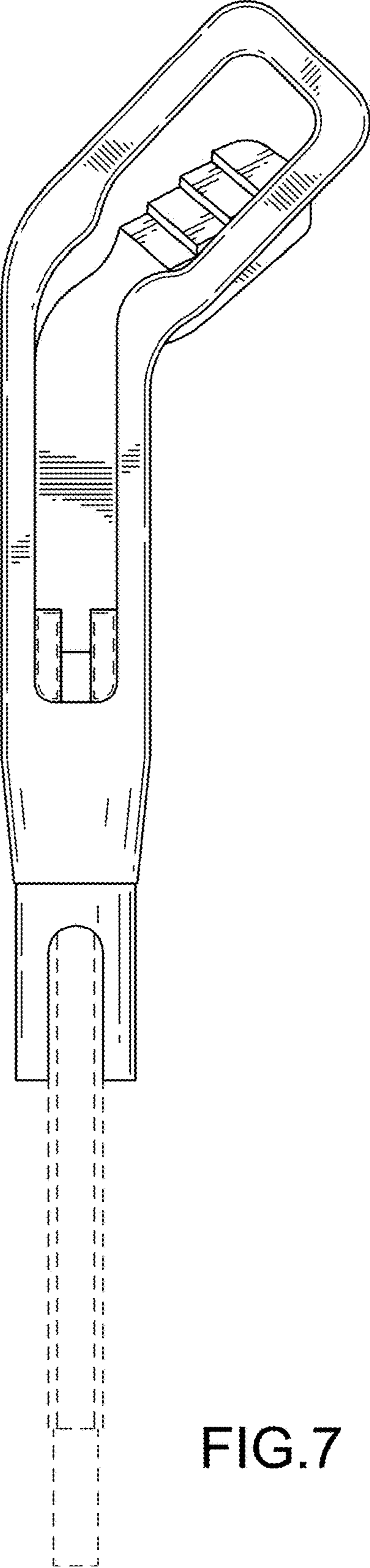


FIG.7

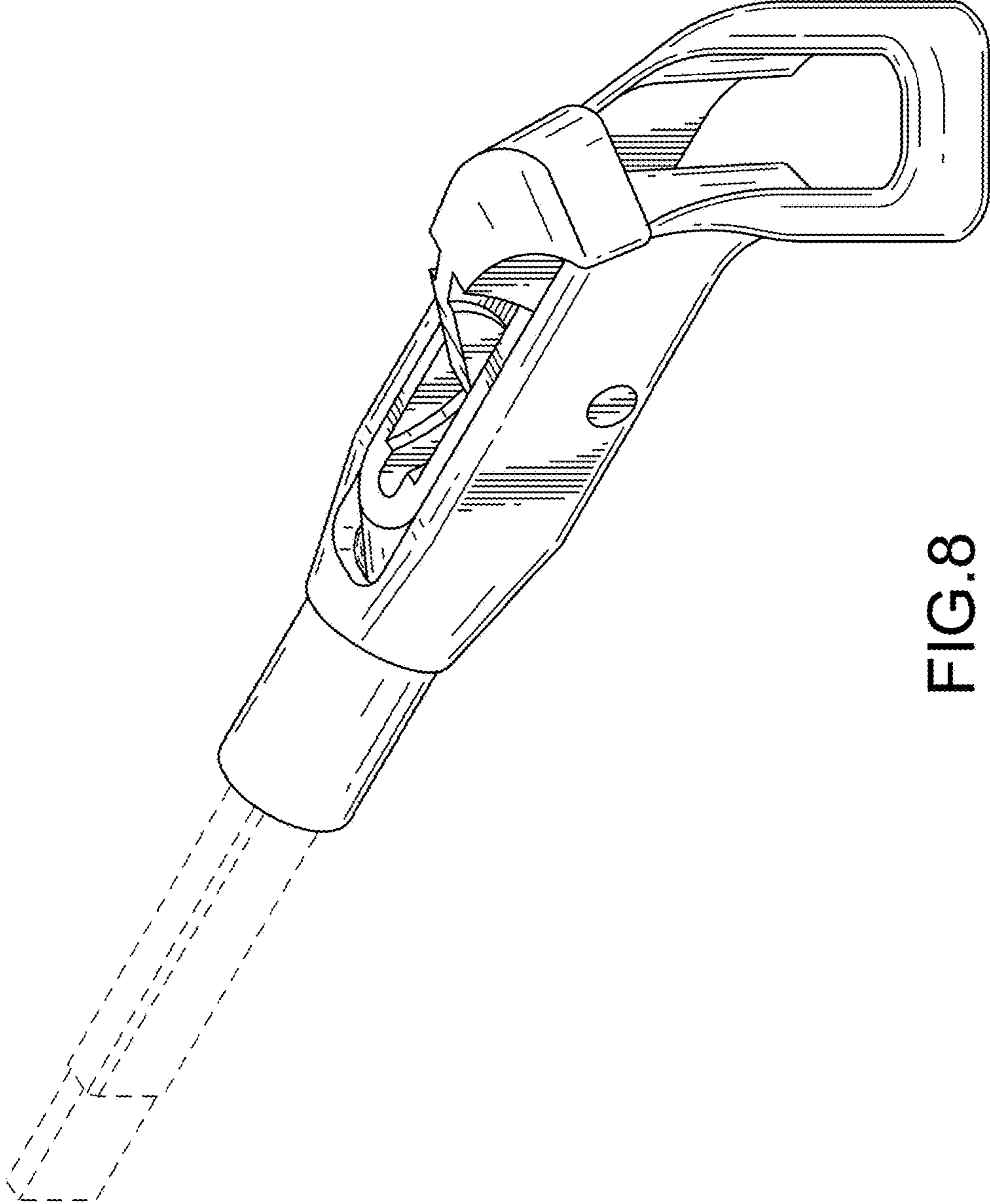


FIG. 8

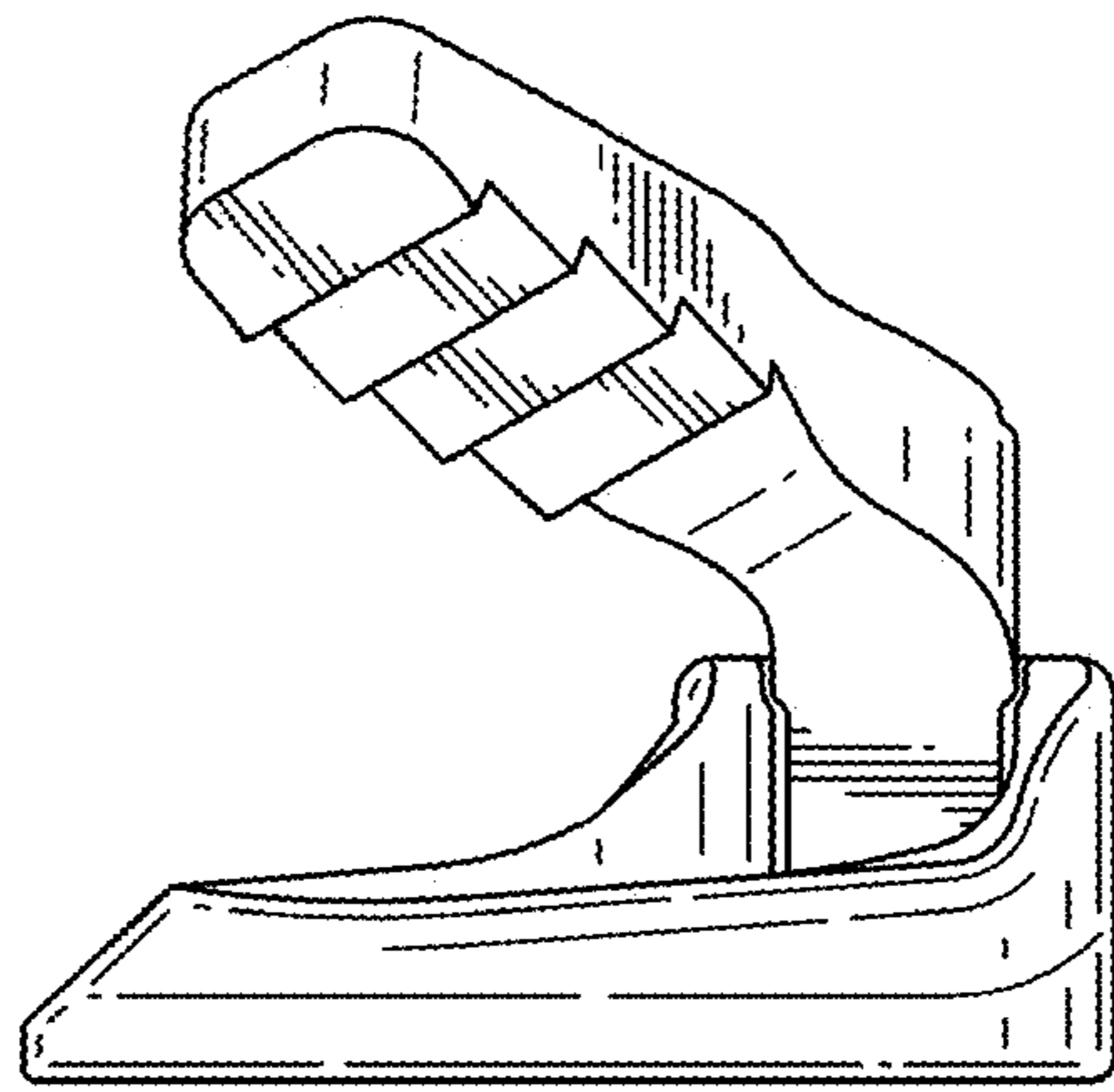


FIG.9

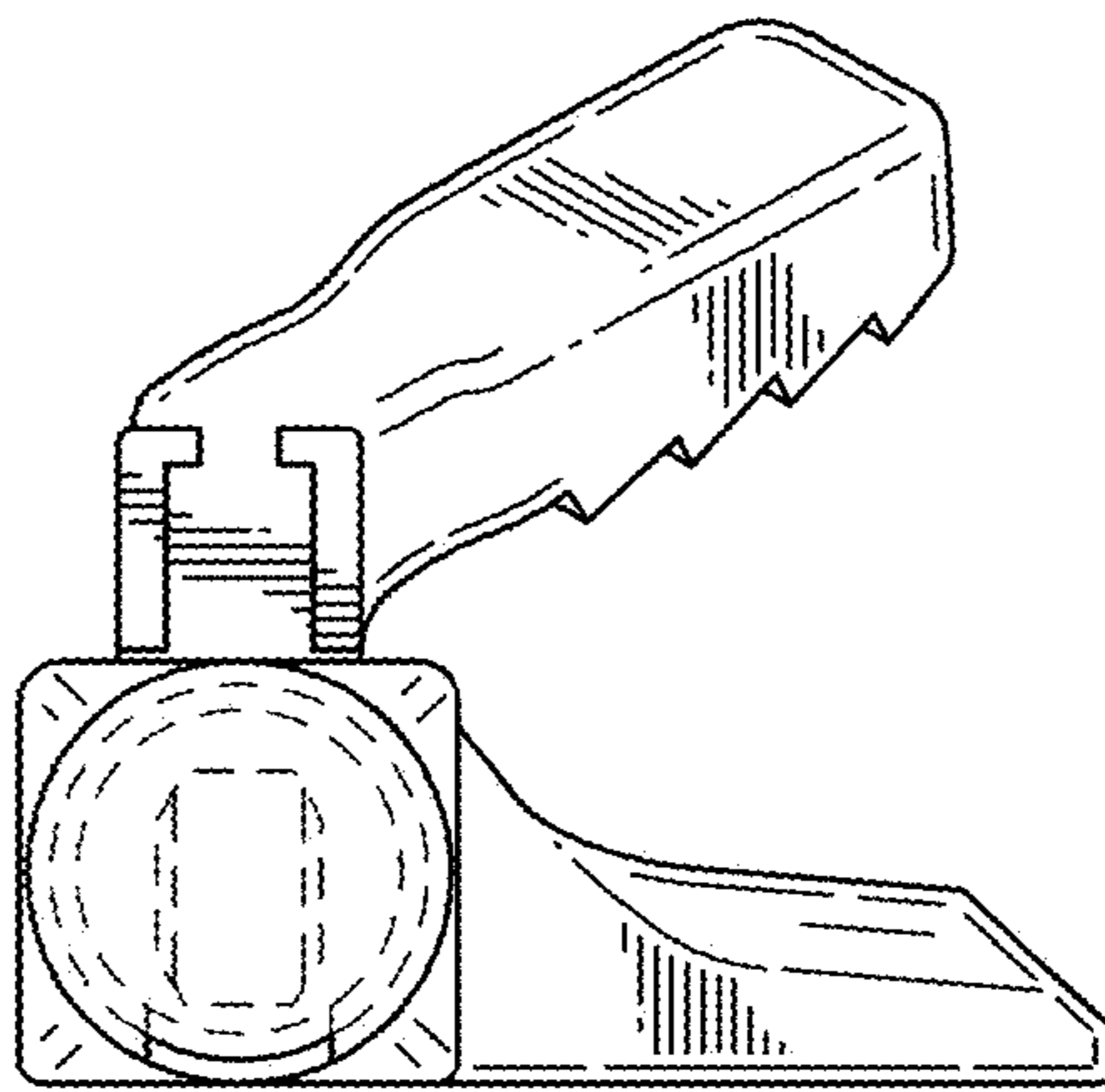


FIG.10

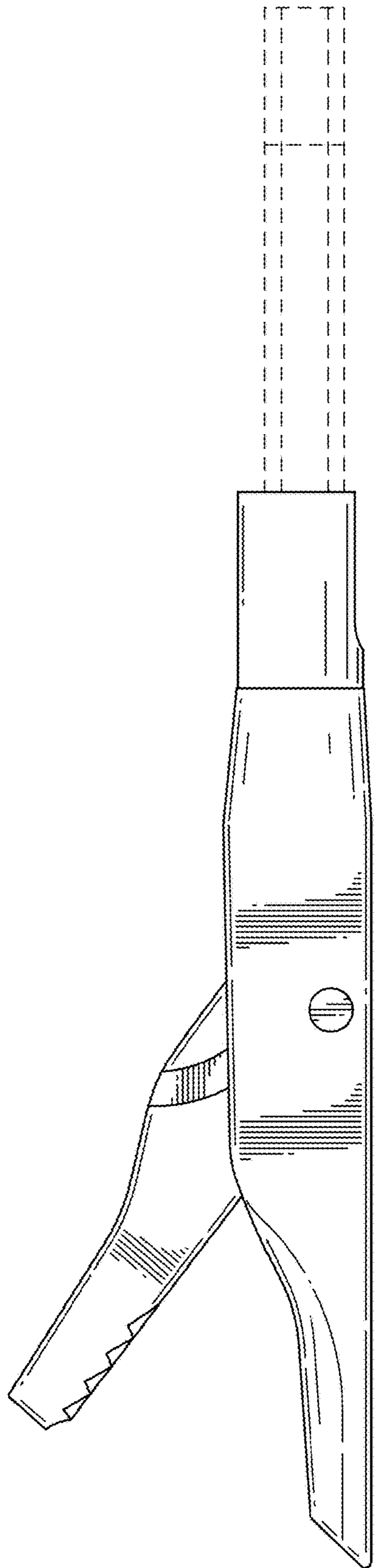


FIG.11

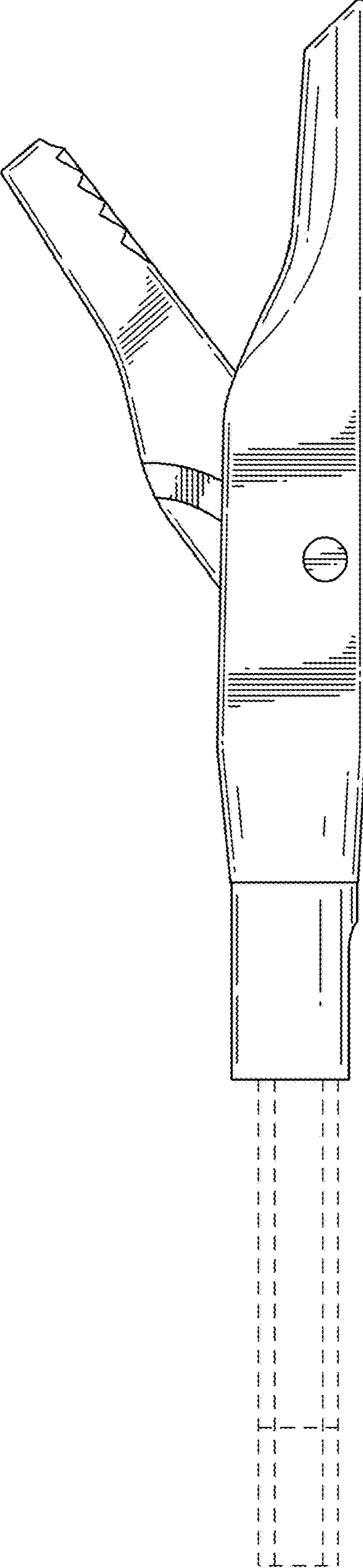


FIG.12

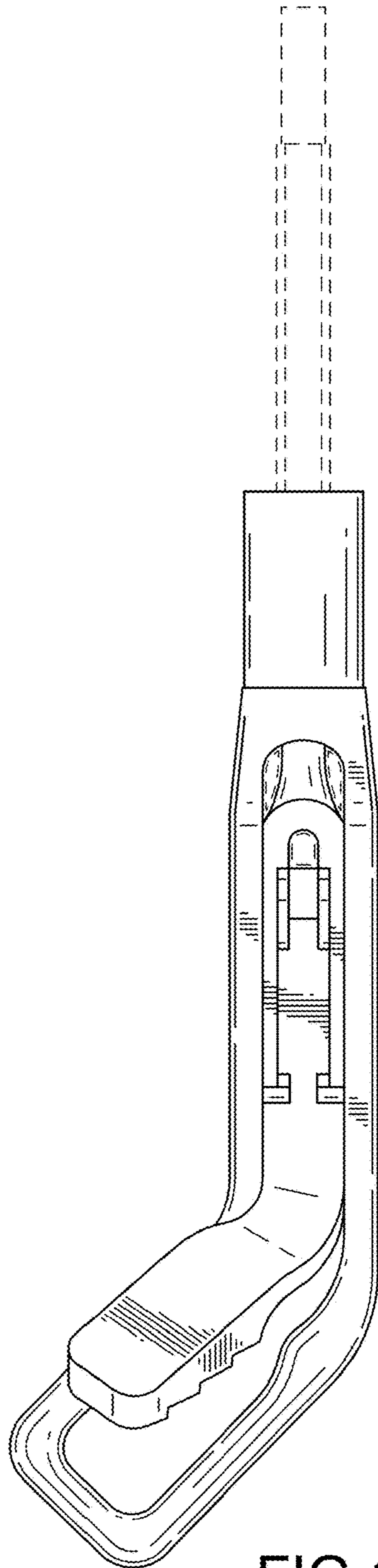


FIG. 13

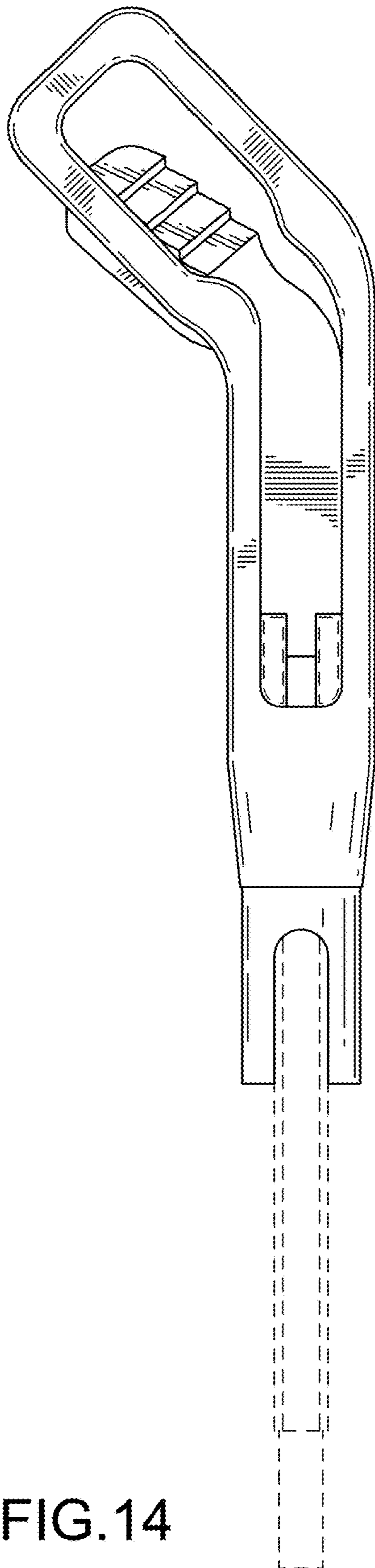


FIG.14