



US00D828549S

(12) **United States Design Patent**
Gonzalez

(10) **Patent No.:** **US D828,549 S**

(45) **Date of Patent:** **** Sep. 11, 2018**

(54) **CANNULATED DELIVERY DEVICE**

(71) Applicant: **Med Dose Solutions, LLC**, Jackson, TN (US)

(72) Inventor: **Steven M. Gonzalez**, Jackson, TN (US)

(73) Assignee: **Med Dose Solutions, LLC**, Jackson, TN (US)

(**) Term: **15 Years**

(21) Appl. No.: **29/561,673**

(22) Filed: **Apr. 19, 2016**

(51) **LOC (11) Cl.** **24-02**

(52) **U.S. Cl.**
USPC **D24/127**

(58) **Field of Classification Search**
USPC D24/112–114, 108, 133, 130, 127, 186;
606/181, 185; 604/264, 272, 187, 181,
604/184, 227
CPC A61M 5/178; A61M 3/00; A61M 5/20;
A61M 5/31; A61M 5/3146; A61M
5/3129; A61M 5/3148; A61M 5/315
See application file for complete search history.

(56) **References Cited**

U.S. PATENT DOCUMENTS

D364,461 S * 11/1995 Liebert D24/130
D369,214 S * 4/1996 Nason 210/359
6,471,677 B2 * 10/2002 Domici, Jr. A61M 5/3271
604/110
6,482,182 B1 * 11/2002 Carroll A61N 1/0539
604/164.04
D574,490 S * 8/2008 Patzer D24/129

D581,528 S * 11/2008 Sudo D24/130
D583,938 S * 12/2008 Sudo D24/130
D633,202 S * 2/2011 Maeda D24/130
D665,498 S * 8/2012 Tamura D24/130
D686,322 S * 7/2013 Maeda D24/130
D691,729 S * 10/2013 Shahidi Bonjar D24/127
D743,025 S * 11/2015 Berler D24/114
D776,285 S * 1/2017 Dinger D24/186

* cited by examiner

Primary Examiner — David Muller

(74) *Attorney, Agent, or Firm* — Veritay Group IP; Susan B. Fentress

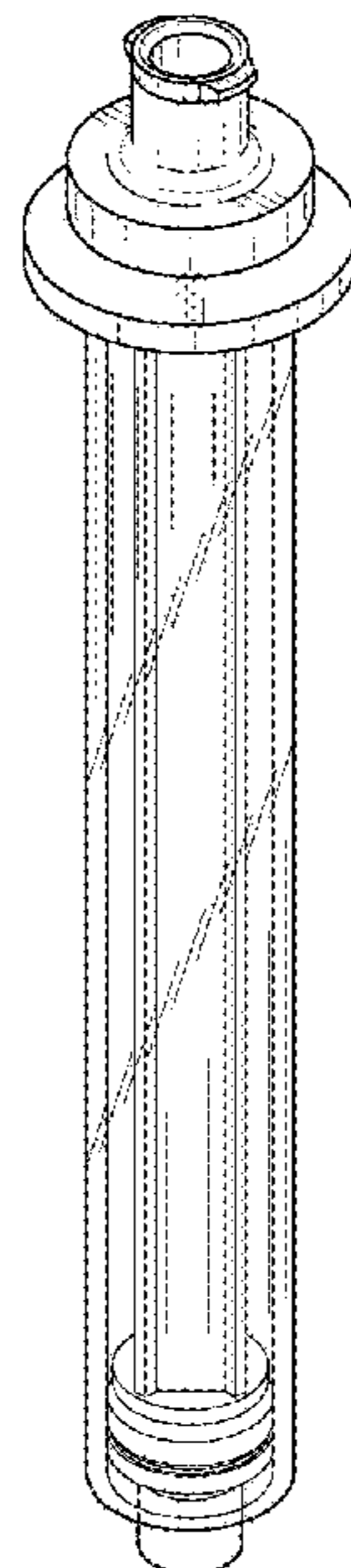
(57) **CLAIM**

The ornamental design for a cannulated delivery device, substantially as shown and described.

DESCRIPTION

FIG. 1 is an isometric top view of my new design showing a cannulated delivery device in an assembled state. FIG. 2 is a right side elevation view thereof; FIG. 3 is a front elevation view thereof; FIG. 4 is a top plan view thereof; FIG. 5 is a bottom plan view thereof; FIG. 6 is an isometric view thereof; FIG. 7 is a sectional view taken along line 7-7 of FIG. 2; FIG. 8 is an isometric top view of the plunger of a cannulated delivery device of FIG. 1. FIG. 9 is a right elevation view thereof; FIG. 10 is a front elevation view thereof; FIG. 11 is a top plan elevation view thereof; FIG. 12 is a bottom plan elevation view thereof; FIG. 13 is an isometric view thereof; and, FIG. 14 is a sectional view thereof taken along line 14-14 of FIG. 9.

1 Claim, 6 Drawing Sheets



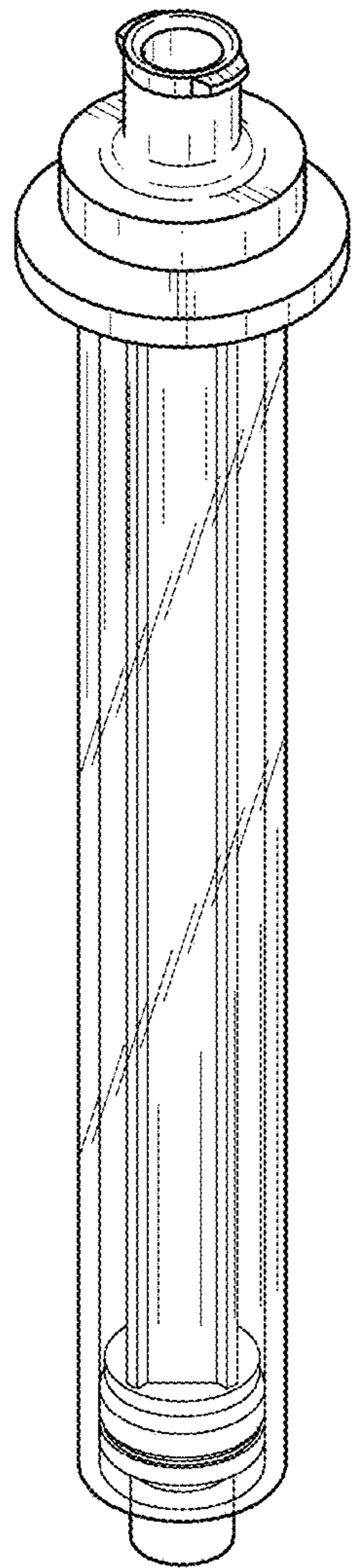


FIG. 1

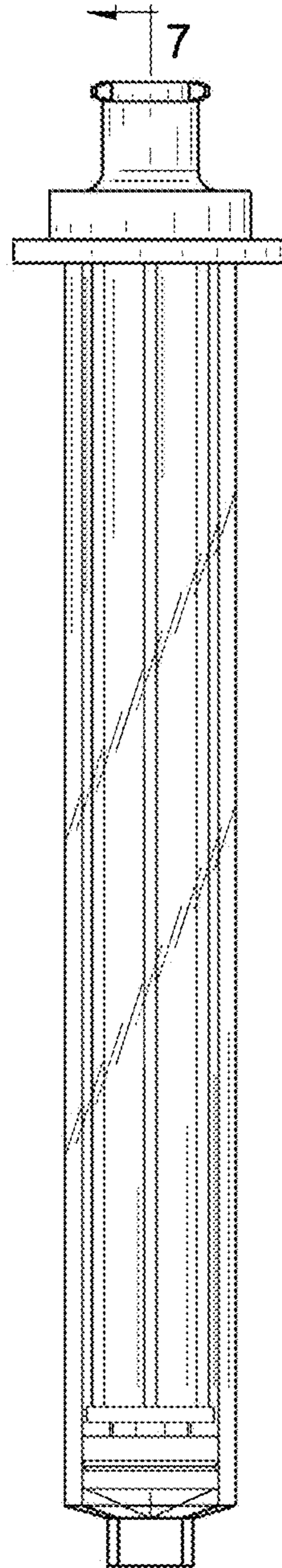


FIG. 2

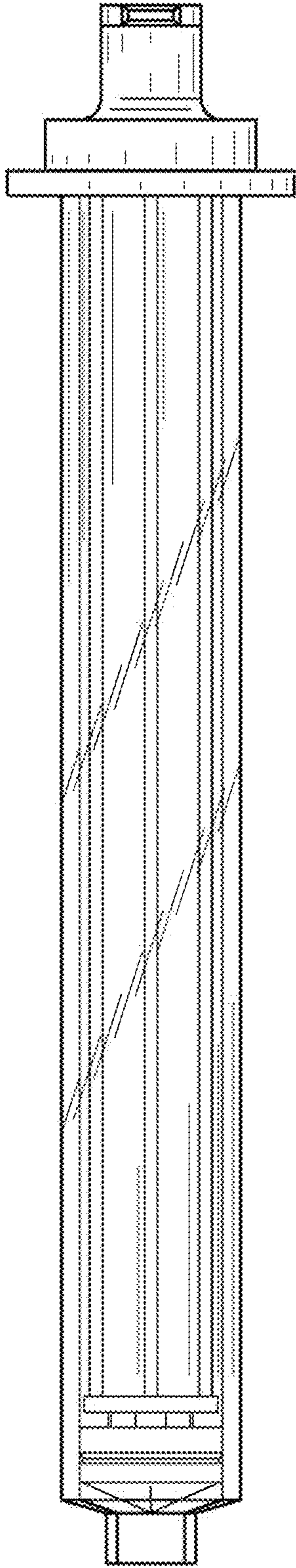


FIG. 3

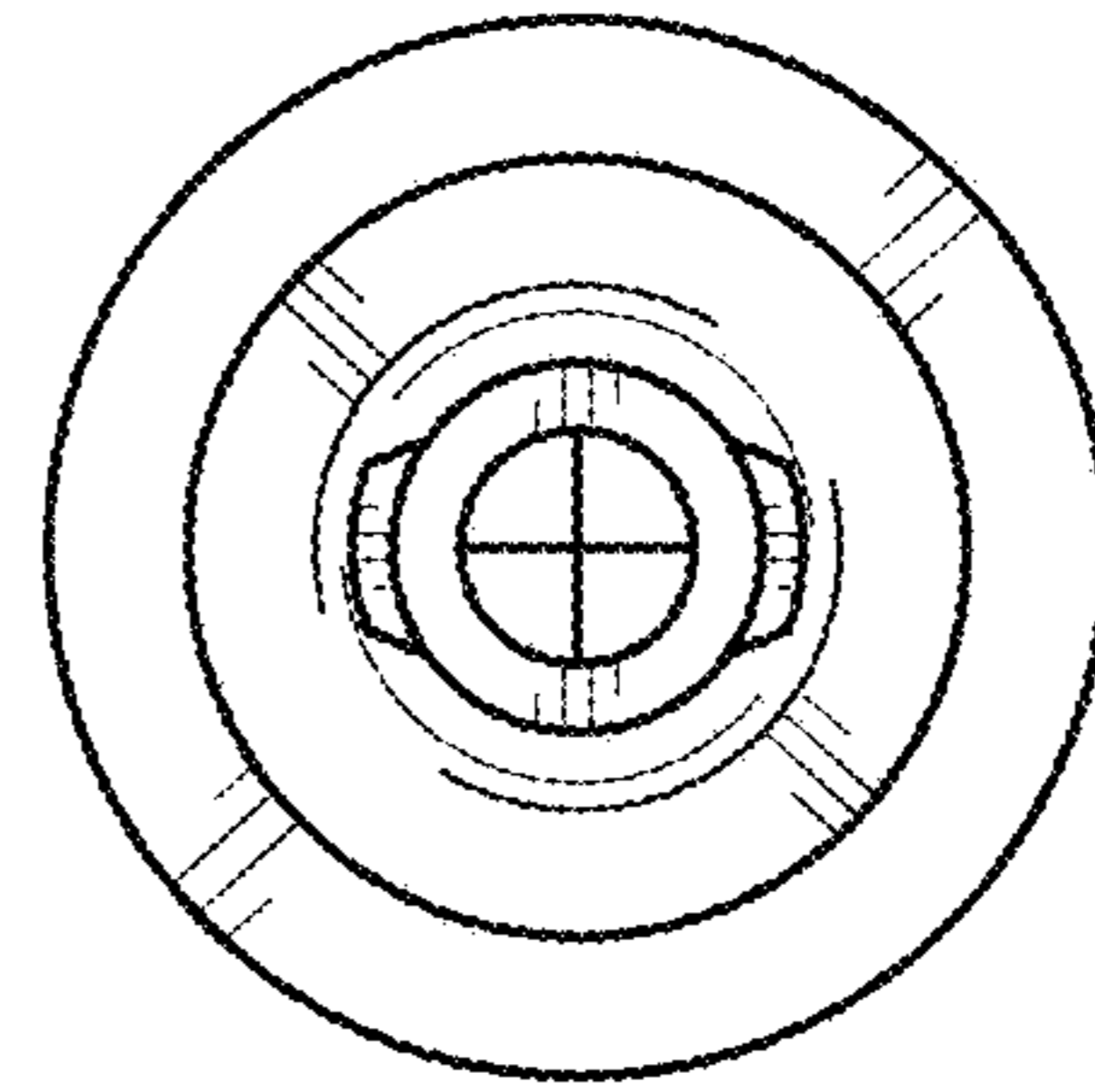


FIG. 4

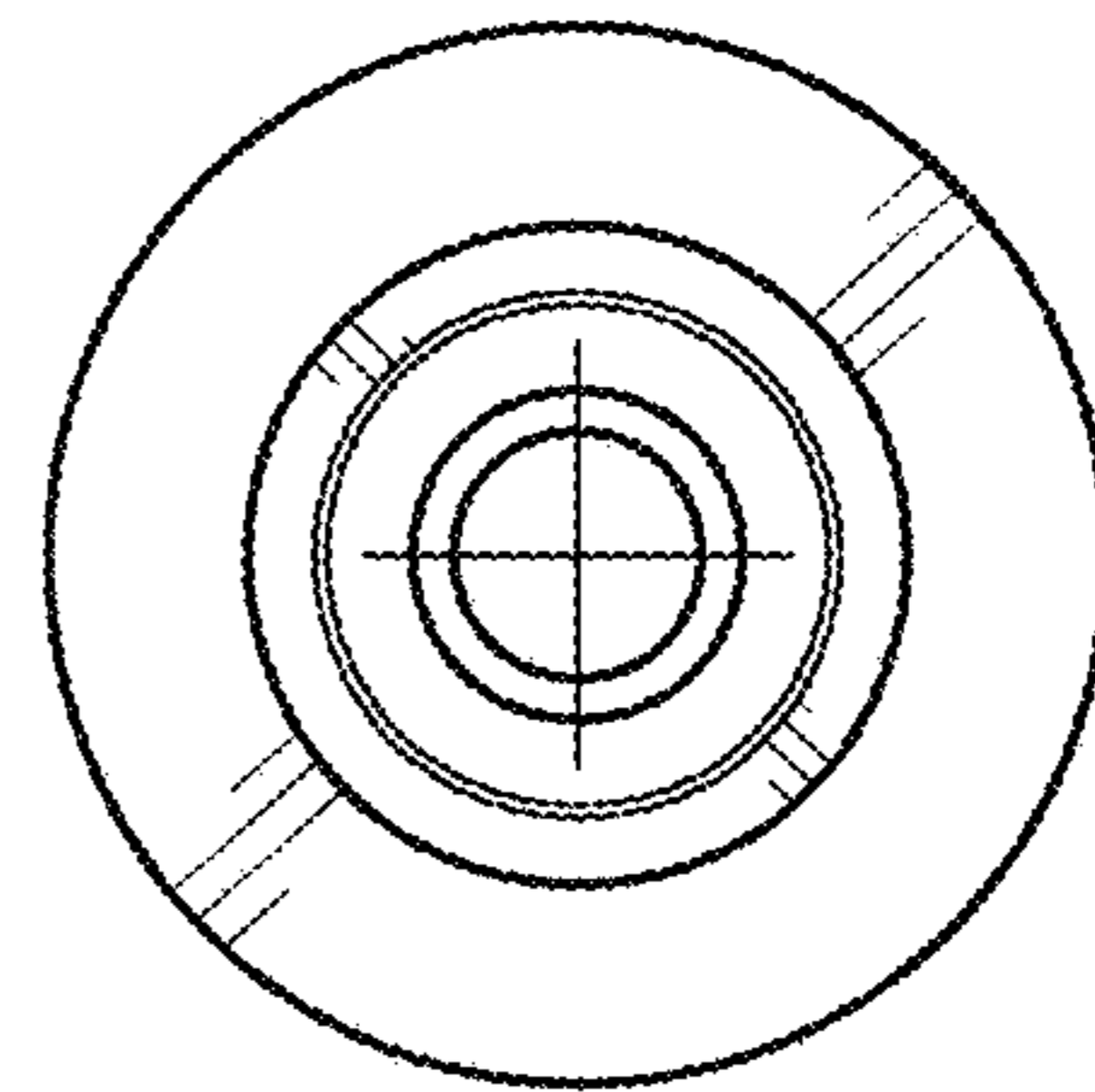


FIG. 5

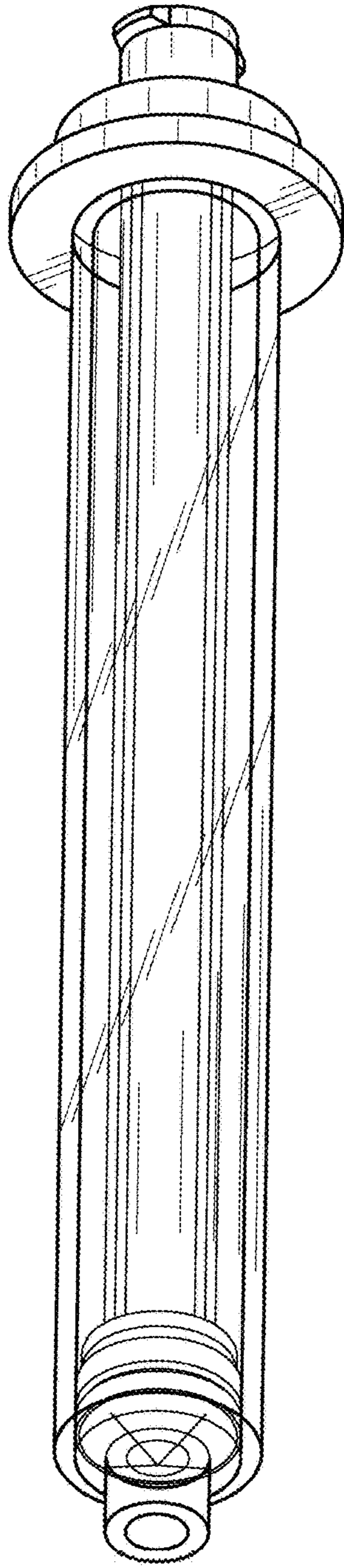


FIG. 6

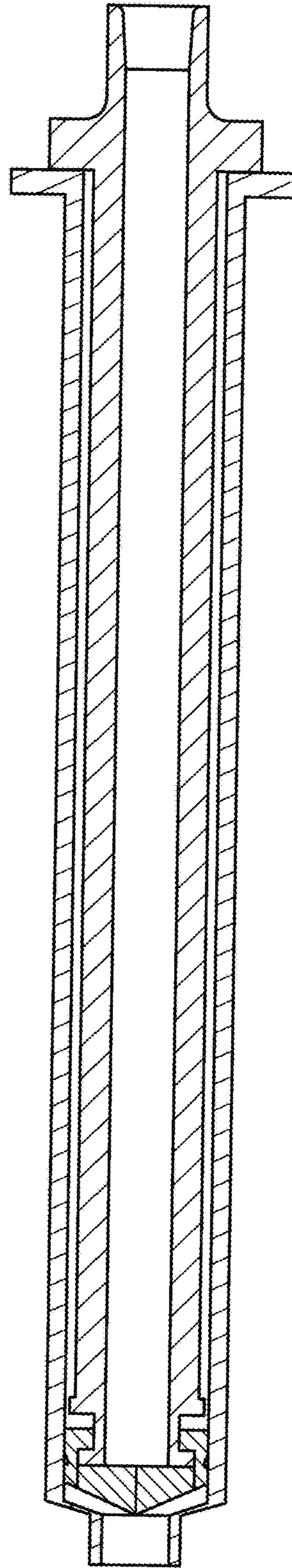


FIG. 7

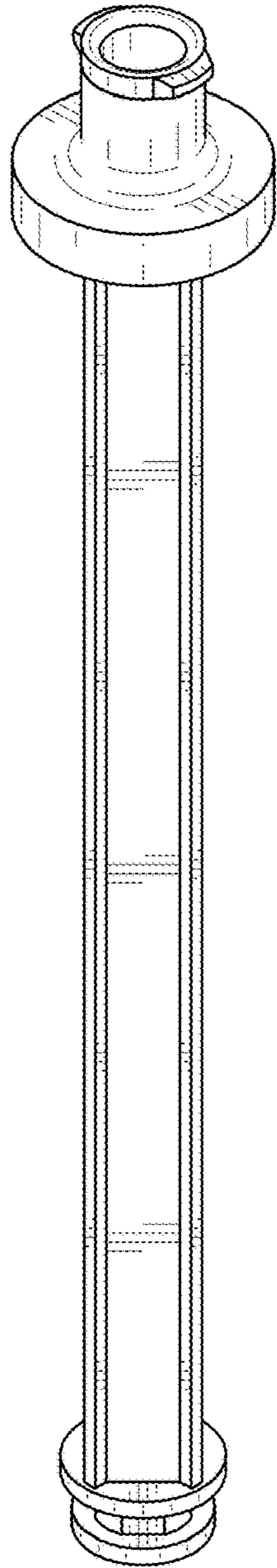


FIG. 8

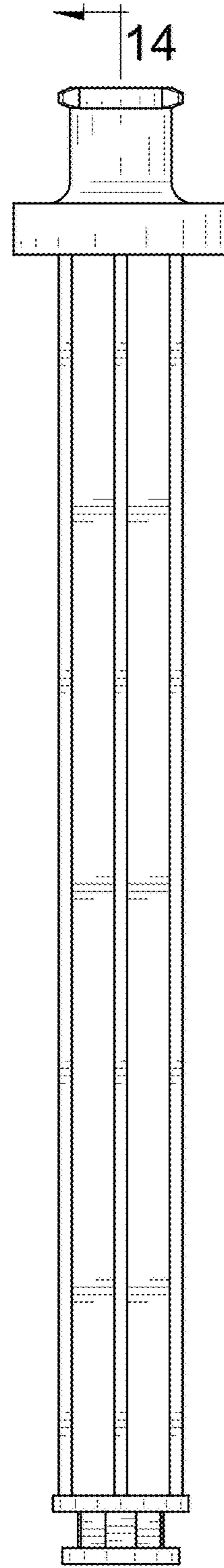


FIG. 9

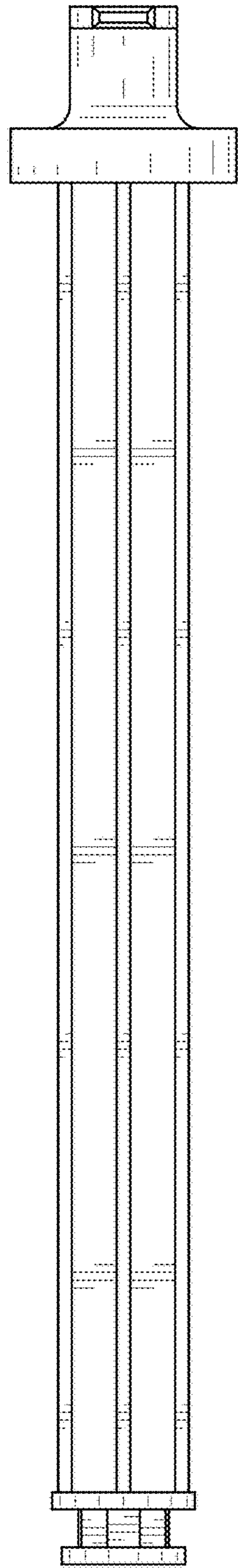


FIG. 10

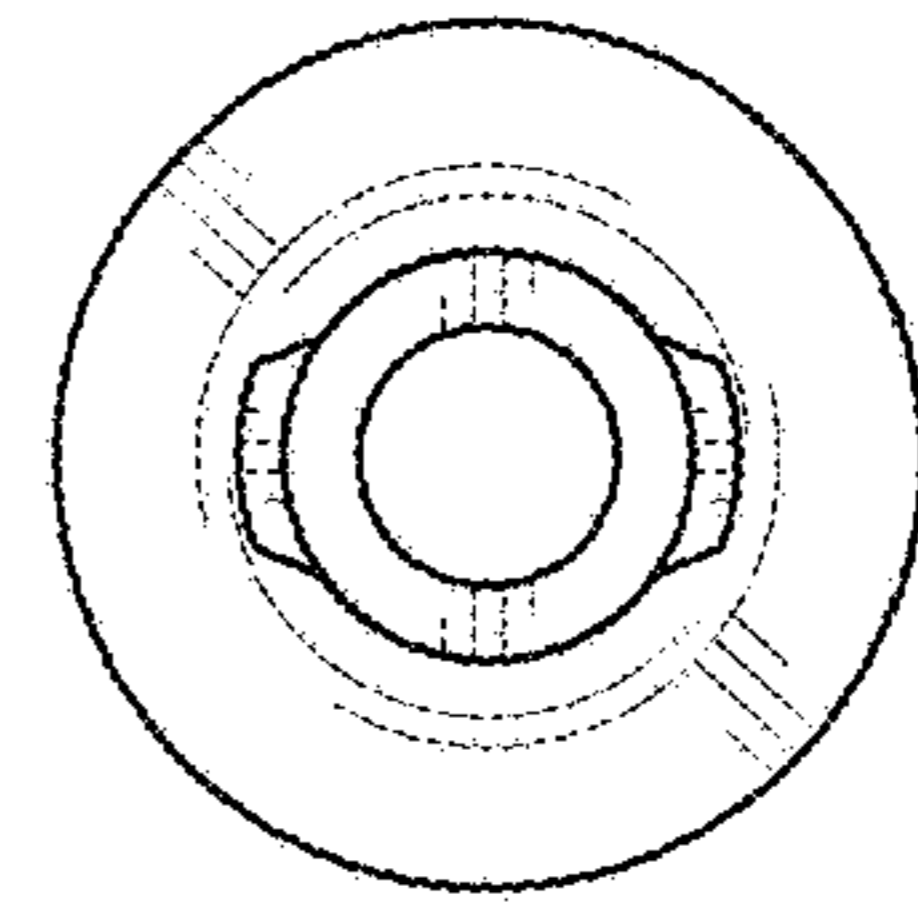


FIG. 11

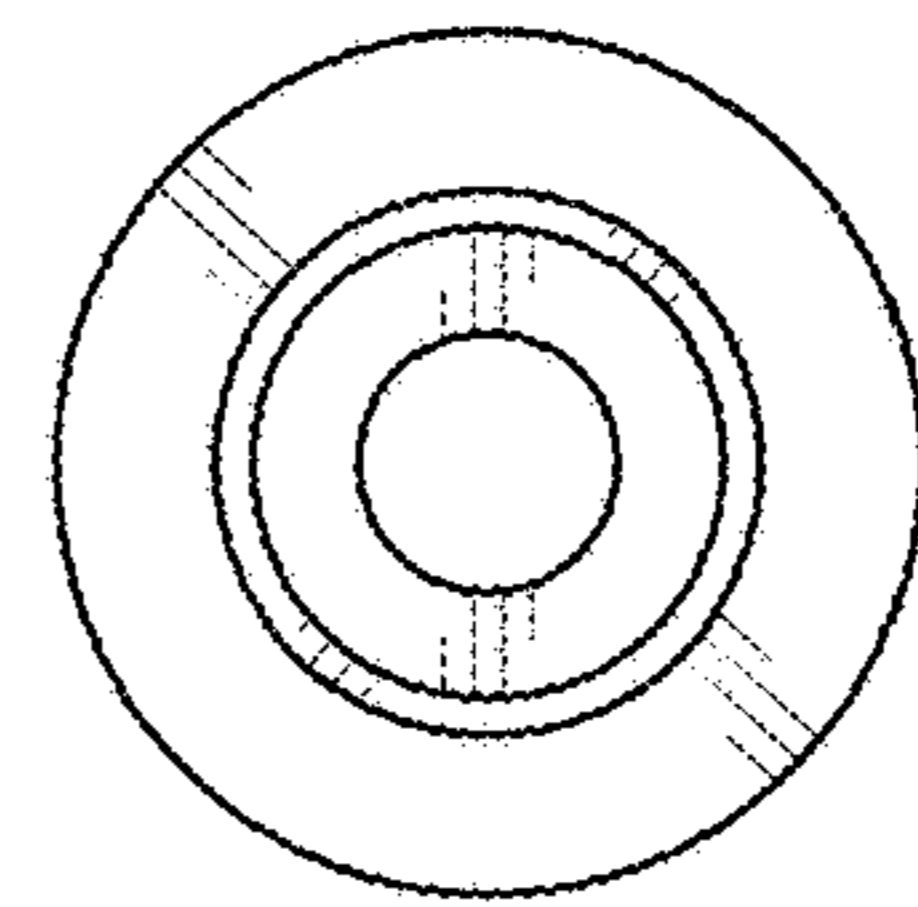


FIG. 12

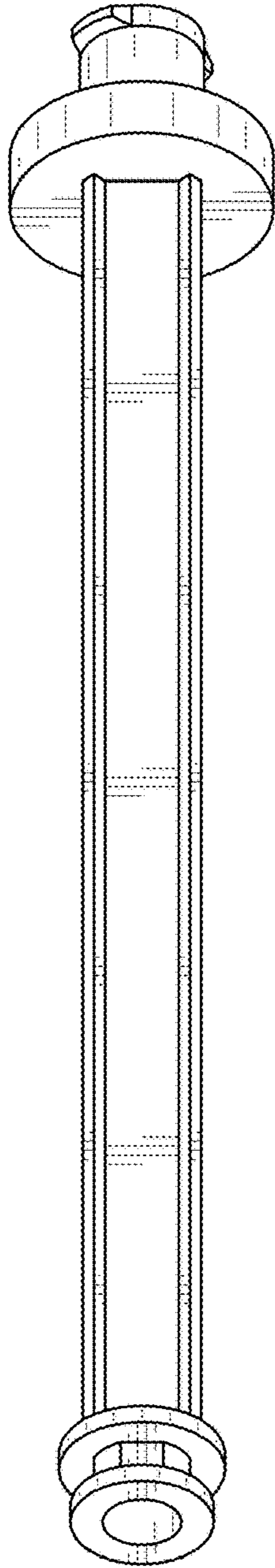


FIG. 13

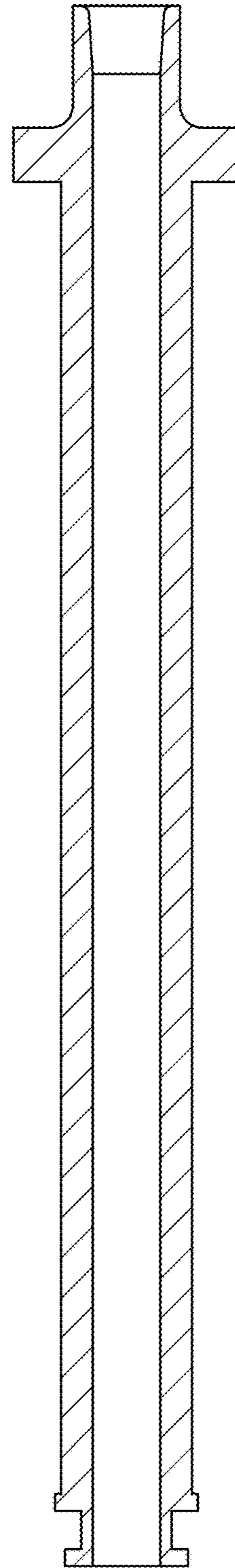


FIG. 14