



US00D828548S

(12) **United States Design Patent** (10) **Patent No.:** **US D828,548 S**  
**Bow** (45) **Date of Patent:** **\*\* Sep. 11, 2018**

(54) **SUCTION HANDLE**  
(71) Applicant: **Medline Industries, Inc.**, Northfield, IL (US)  
(72) Inventor: **Clark F. Bow**, Dandridge, TN (US)  
(73) Assignee: **Medline Industries, Inc.**, Northfield, IL (US)

5,203,769 A 4/1993 Clement  
D351,652 S 10/1994 Thompson  
D357,064 S 4/1995 Bartlett  
D387,862 S 12/1997 Mainiero  
5,984,907 A 11/1999 McGee  
6,129,547 A 10/2000 Cise  
6,500,142 B1 12/2002 Harreld  
6,588,427 B1 7/2003 Carlsen  
D483,475 S 12/2003 Kirwan

(Continued)

(\*\*) Term: **15 Years**  
(21) Appl. No.: **29/595,297**  
(22) Filed: **Feb. 27, 2017**

**FOREIGN PATENT DOCUMENTS**

WO 2008075241 A2 6/2008

**OTHER PUBLICATIONS**

Kimberly-Clark\* KimVent\* Oral Care q4 Kit & Individual Components/Packs, Kimberly Clark, 2008, 6 pages.

(Continued)

*Primary Examiner* — David Muller  
(74) *Attorney, Agent, or Firm* — Fitch, Even, Tabin & Flannery LLP

**Related U.S. Application Data**

(63) Continuation of application No. 29/546,735, filed on Nov. 25, 2015, now Pat. No. Des. 780,306, which is a continuation of application No. 29/446,358, filed on Feb. 22, 2013, now Pat. No. Des. 744,638, which is a continuation of application No. 29/402,947, filed on Sep. 29, 2011, now Pat. No. Des. 678,512.

(51) **LOC (11) Cl.** ..... **24-02**  
(52) **U.S. Cl.**  
USPC ..... **D24/112**

(58) **Field of Classification Search**  
USPC ..... D24/111–114, 133, 186, 130, 127, 108, D24/146, 147, 129, 138, 176; 606/181, 606/185; 604/30, 34, 35, 39, 119, 161, 604/500, 902, 264; 600/101, 139, 143; 128/200.24, 207.14, 207.15; 433/91  
CPC ..... A61M 1/008; A61C 17/043; A61B 1/015  
See application file for complete search history.

(57) **CLAIM**

I claim the ornamental design for a suction handle, as shown and described.

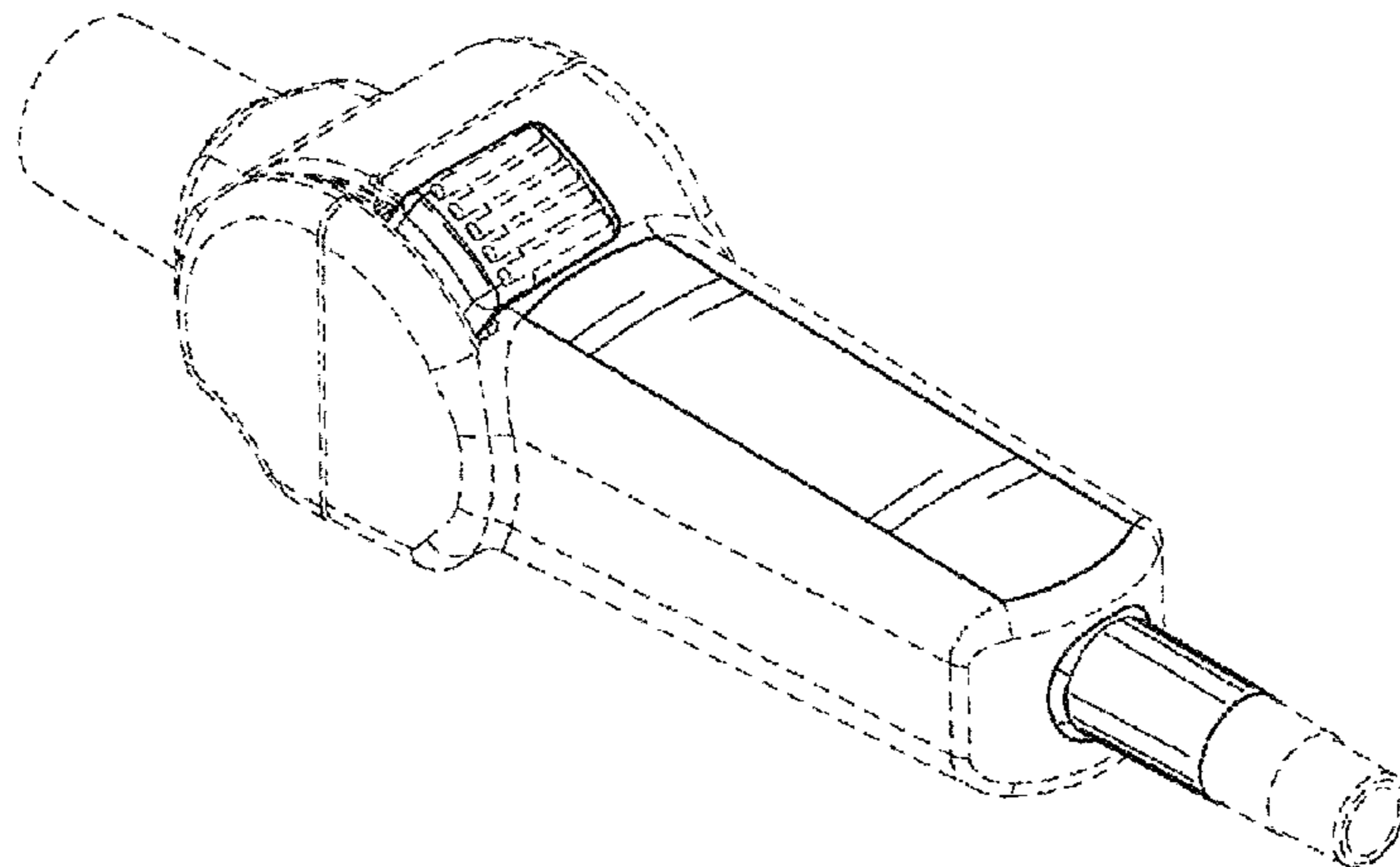
**DESCRIPTION**

FIG. 1 is a perspective view of an ornamental design for a suction handle;  
FIG. 2 is a second perspective view thereof;  
FIG. 3 is a top plan view thereof;  
FIG. 4 is a bottom plan view thereof;  
FIG. 5 is a right side elevational view thereof;  
FIG. 6 is a left side elevational view thereof;  
FIG. 7 is a rear elevational view thereof; and,  
FIG. 8 is a front elevational view thereof.  
The broken lines depict unclaimed environmental subject matter and form no part of the claim.

(56) **References Cited**  
**U.S. PATENT DOCUMENTS**

3,749,090 A 7/1973 Stewart  
D279,924 S 7/1985 Osgood  
D282,285 S 1/1986 Levy  
D326,714 S 6/1992 Funakoshi

**1 Claim, 3 Drawing Sheets**



(56)

References Cited

U.S. PATENT DOCUMENTS

D498,846 S \* 11/2004 Hayamizu ..... D24/138  
 D512,147 S 11/2005 Barker  
 D518,175 S 3/2006 Hardin  
 D518,573 S 4/2006 French  
 D535,393 S \* 1/2007 Pilvisto ..... D16/202  
 D545,439 S 6/2007 Draudt  
 D564,093 S 3/2008 Marchand  
 D571,458 S 6/2008 Kataoka  
 D576,725 S 9/2008 Shumer  
 D581,052 S 11/2008 Root  
 D585,993 S 2/2009 Kousuge  
 D606,651 S 12/2009 Bukoski  
 7,625,207 B2 12/2009 Hershey  
 D622,842 S 8/2010 Benoist  
 D630,728 S 1/2011 Dombrowski  
 7,866,477 B2 1/2011 Sturm  
 7,867,190 B2 1/2011 Ponsi  
 D632,783 S \* 2/2011 Maesarapu ..... D24/129  
 D653,329 S 1/2012 Lee-Sepsick  
 D669,578 S 10/2012 Burgess  
 D678,512 S 3/2013 Bow  
 D698,441 S 1/2014 Meguro et al.  
 D709,184 S 7/2014 Lee-Sepsick  
 8,764,731 B2 7/2014 Burgess  
 8,834,407 B2 9/2014 Greeson, Jr.  
 D715,429 S 10/2014 Yu  
 D718,437 S 11/2014 Osypka  
 D718,445 S 11/2014 Yoshida

D719,651 S 12/2014 Hoffmann  
 8,986,363 B2 \* 3/2015 McHugo ..... A61F 2/95  
 604/61  
 9,173,725 B2 11/2015 Thorp  
 D744,638 S 12/2015 Bow  
 D749,717 S \* 2/2016 Kobida ..... D24/108  
 9,248,228 B2 2/2016 Bono  
 9,295,551 B2 \* 3/2016 Straubinger ..... A61M 25/0147  
 D753,291 S \* 4/2016 Ratjen ..... D24/112  
 D753,296 S \* 4/2016 Gill ..... D24/138  
 D753,823 S \* 4/2016 Hayamizu ..... D24/138  
 9,314,356 B2 \* 4/2016 McHugo ..... A61F 2/966  
 D756,517 S \* 5/2016 Sagalovich ..... D24/137  
 9,332,973 B2 \* 5/2016 McWeeney ..... A61B 10/0283  
 9,345,633 B2 \* 5/2016 Fuhr ..... A61H 1/008  
 2002/0103419 A1 8/2002 Christopher  
 2004/0006380 A1 1/2004 Buck  
 2008/0132760 A1 6/2008 Takeuchi  
 2010/0240956 A1 9/2010 Secrest  
 2011/0082431 A1 4/2011 Burgess  
 2011/0098644 A1 4/2011 Ponsi  
 2014/0207056 A1 7/2014 Bono  
 2015/0258257 A1 9/2015 Kidman  
 2015/0343121 A1 12/2015 Kobida

OTHER PUBLICATIONS

Suzanne M. Pear, "VAP Prevention: Critical Techniques and Tools."  
 Healthcare Purchasing News, May 2008, pp. 40-41.

\* cited by examiner

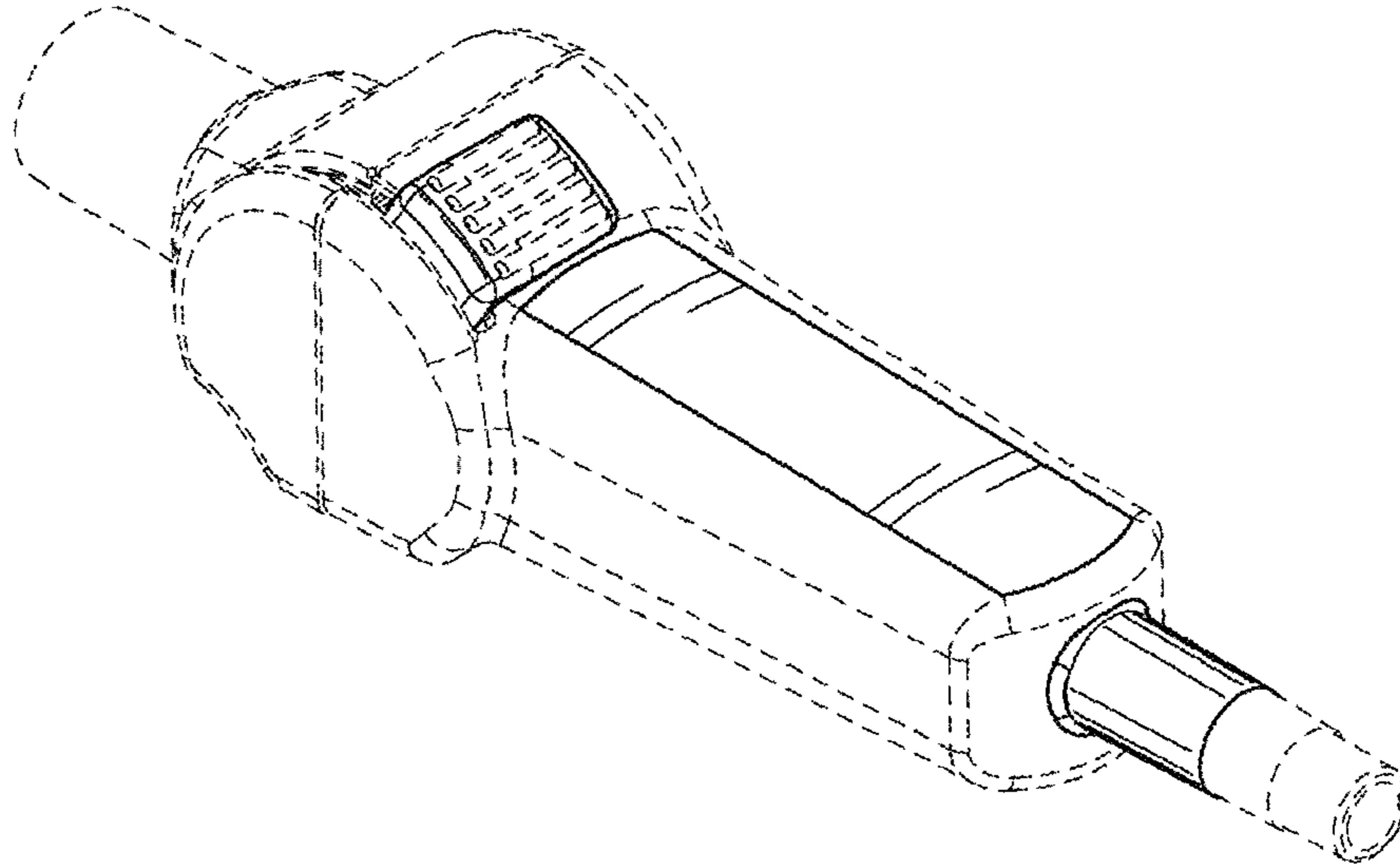


FIG. 1

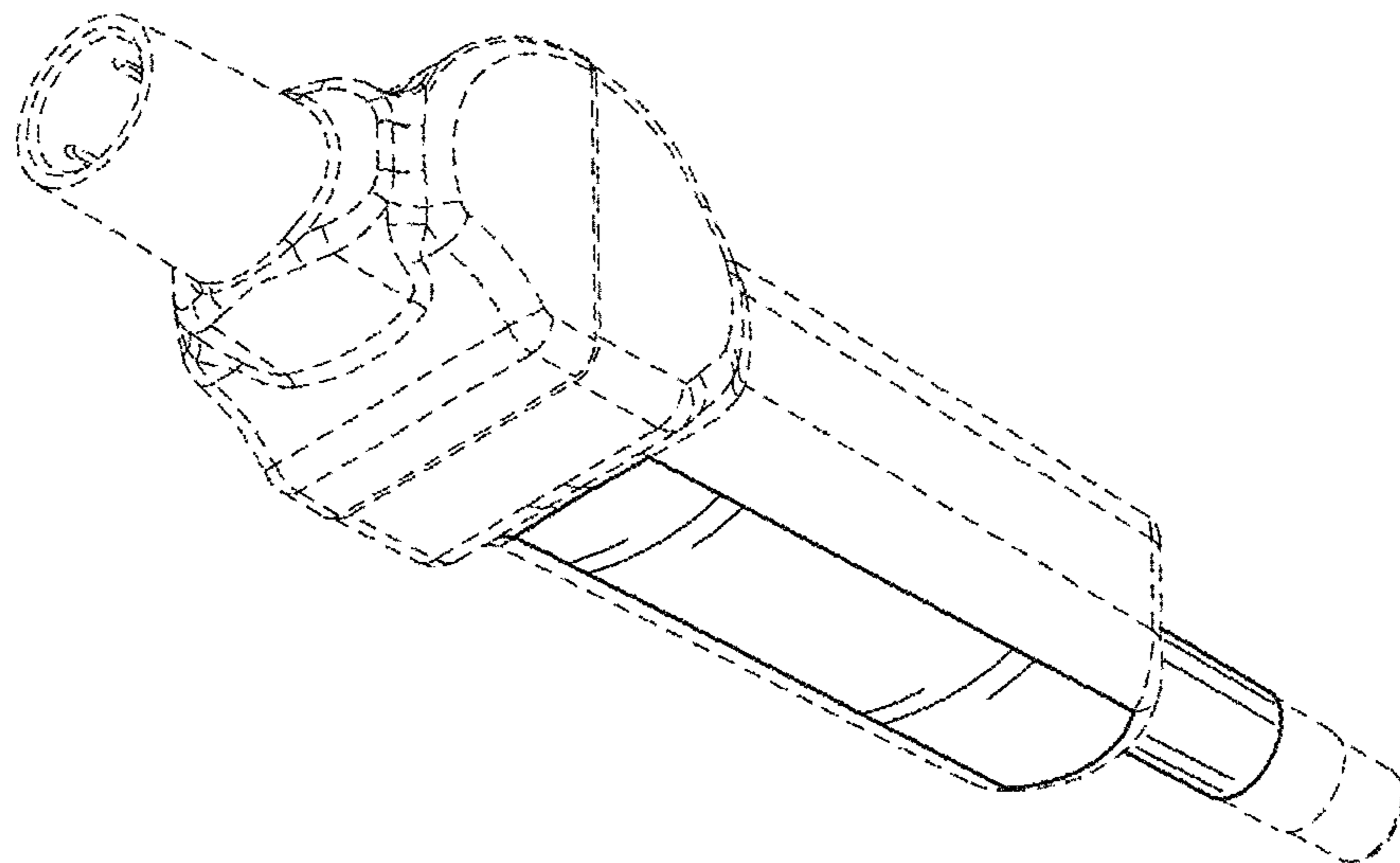


FIG. 2

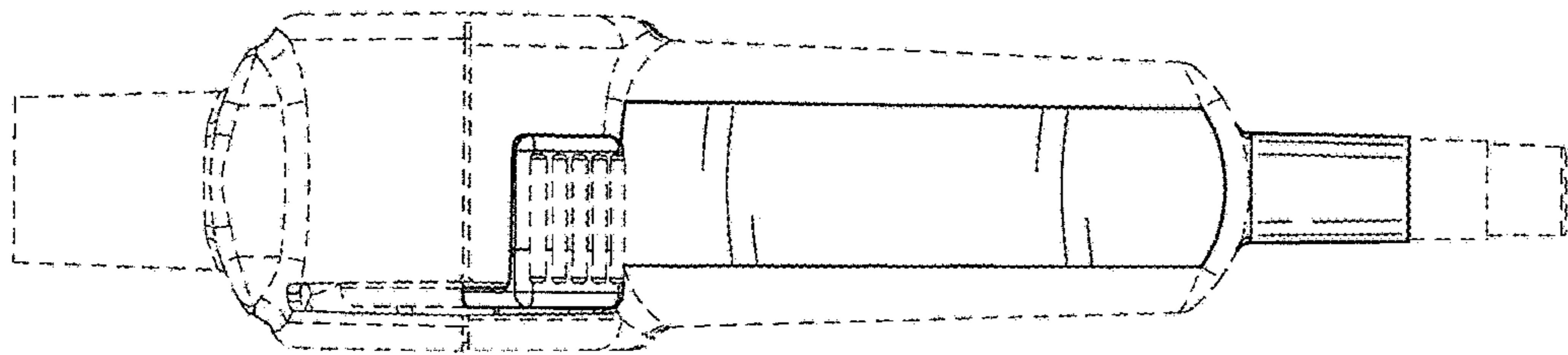


FIG. 3

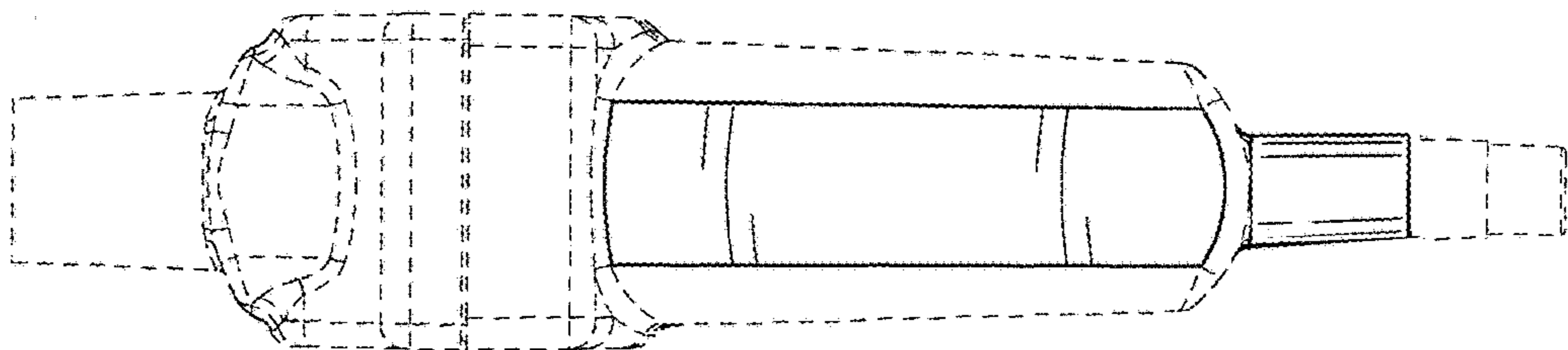


FIG. 4



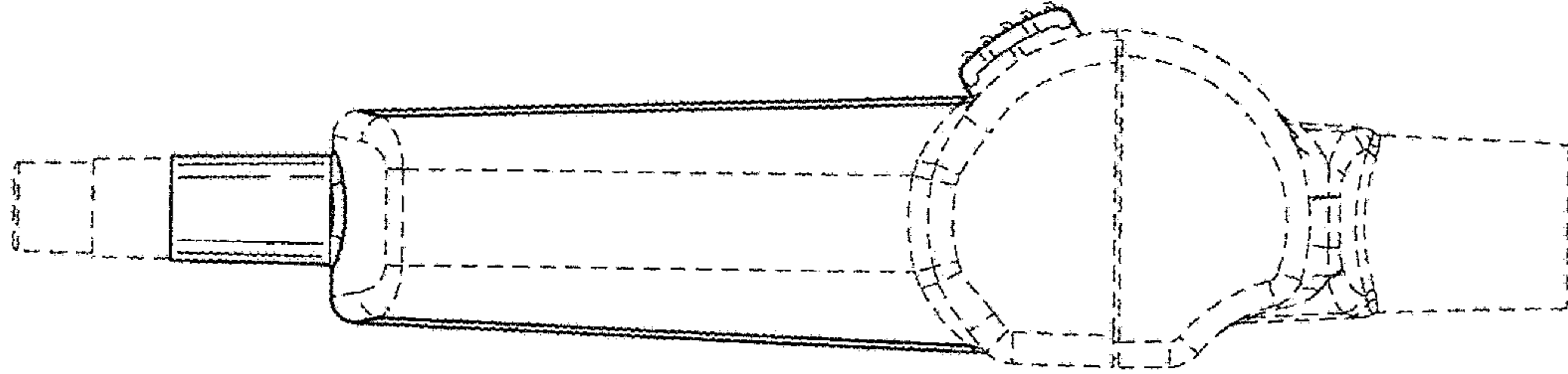


FIG. 5

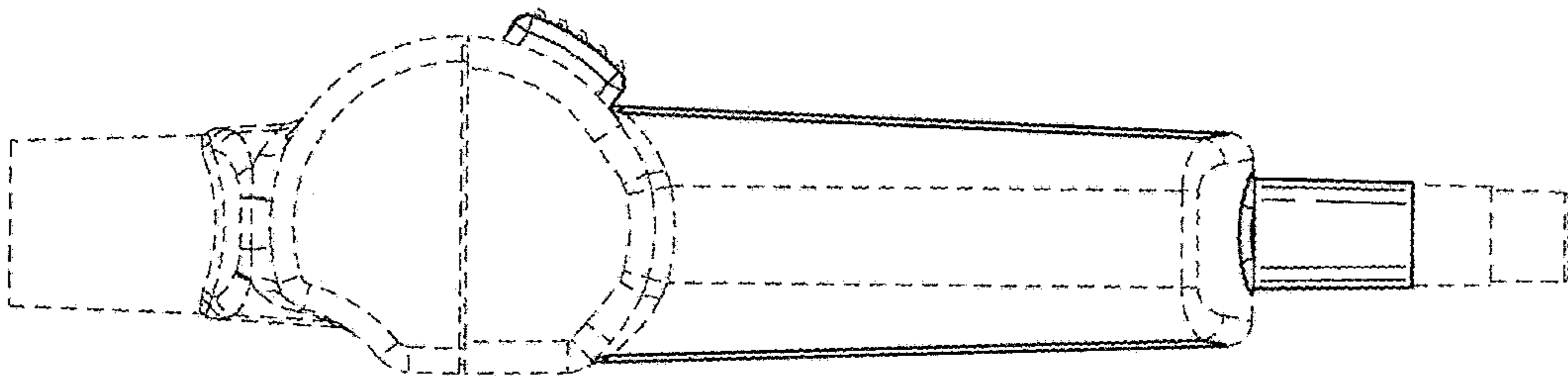


FIG. 6

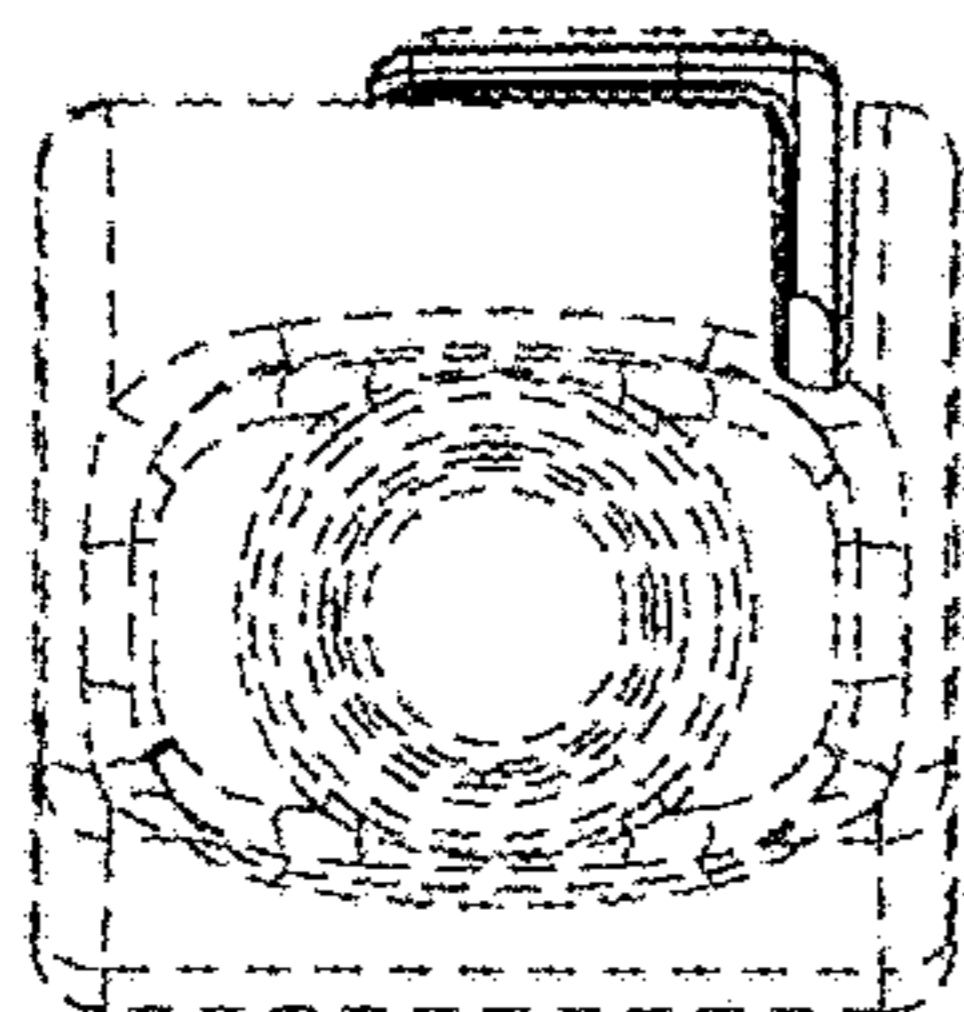


FIG. 7

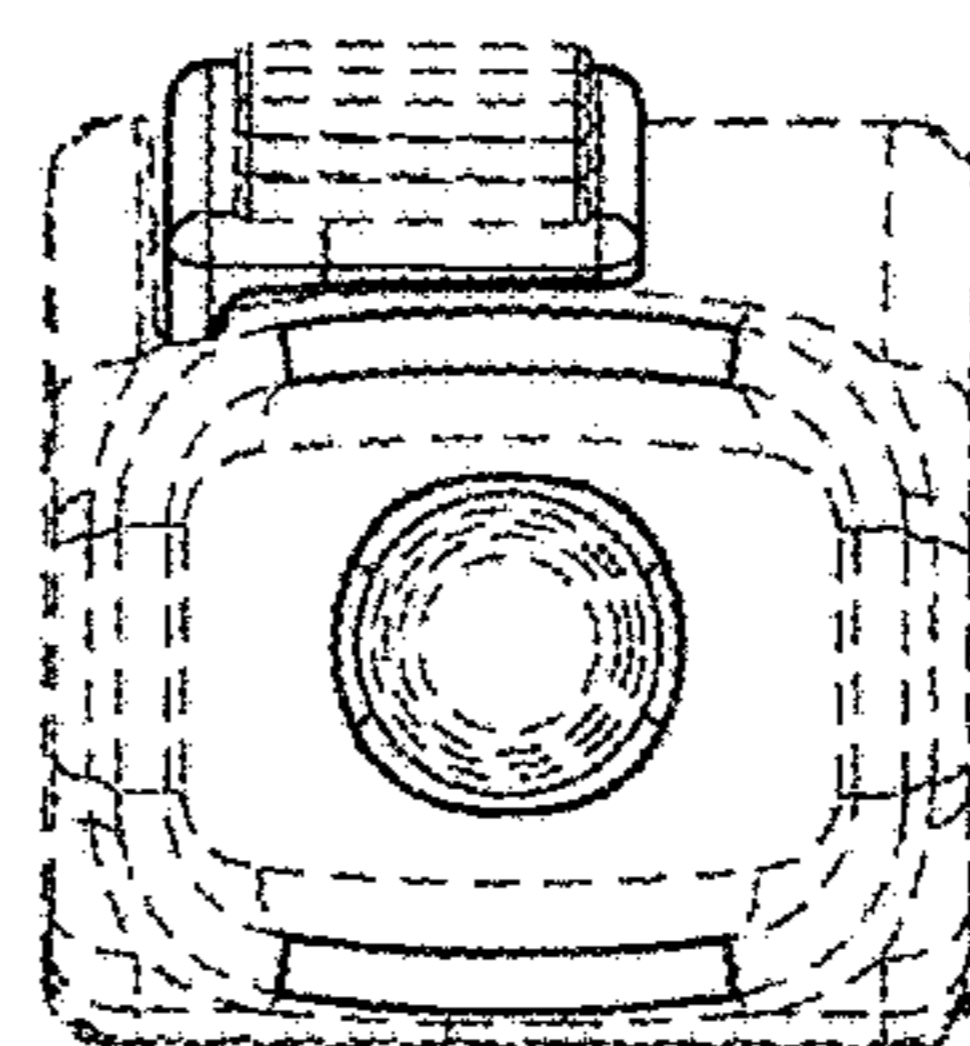


FIG. 8