



US00D828547S

(12) **United States Design Patent** (10) **Patent No.:** **US D828,547 S**  
**Lacy et al.** (45) **Date of Patent:** **\*\* Sep. 11, 2018**

(54) **SYRINGE PUMP**

(56) **References Cited**

U.S. PATENT DOCUMENTS

(71) Applicant: **Smiths Medical ASD, Inc.**, Plymouth, MN (US)  
  
(72) Inventors: **Christopher Lacy**, Arden Hills, MN (US); **Jonathan Sanborn**, Saint Louis Park, MN (US); **Kevin Krautbauer**, Saint Paul, MN (US); **James Drost**, Woodbury, MN (US); **Walter Dobrowolny**, Saint Paul, MN (US); **Eric Wilkowske**, North Oaks, MN (US); **Jennifer Tsai**, Stillwater, MN (US); **Grant Adams**, Anoka, MN (US)

4,749,109 A \* 6/1988 Kamen ..... A61M 5/1456  
128/DIG. 12  
4,978,335 A \* 12/1990 Arthur, III ..... A61M 5/1456  
128/DIG. 1  
D328,952 S 8/1992 Arioka  
D344,684 S 3/1994 Metz et al.  
D348,101 S 6/1994 Poli et al.  
5,364,364 A \* 11/1994 Kasvikis ..... A61M 5/14228  
137/556  
D360,259 S 7/1995 Ijiri et al.  
D363,468 S 10/1995 Miki et al.  
D367,527 S \* 2/1996 Marston ..... D24/111  
D367,528 S \* 2/1996 Marston ..... D24/111  
D390,654 S \* 2/1998 Alsberg ..... D24/111

(Continued)

(73) Assignee: **Smiths Medical ASD, Inc.**, Plymouth, MN (US)

FOREIGN PATENT DOCUMENTS

WO WO 2016/196098 A1 12/2016

*Primary Examiner* — Sheryl Lane

*Assistant Examiner* — Clavin E Vansant

(74) *Attorney, Agent, or Firm* — Patterson Thuente Pedersen, P.A.

(\*\*) Term: **15 Years**

(21) Appl. No.: **29/583,359**

(22) Filed: **Nov. 4, 2016**

(51) **LOC (11) Cl.** ..... **24-02**

(52) **U.S. Cl.**  
USPC ..... **D24/111**

(58) **Field of Classification Search**  
USPC ..... D24/108, 111, 112, 114, 127, 128, 129, D24/130, 133, 141, 146, 147, 152, 186, D24/214, 215; D8/93, 97, 300, 310, 311; D23/129, 223, 249, 259, 262; D16/202; D14/171, 196; D15/7  
CPC ..... A61B 1/00094; A61M 2005/1583; A61M 2005/1586; A61M 2005/3277; A61M 5/158; A61M 5/1582; A61M 5/3243; A61M 25/0606; A61M 25/0612; A61M 25/0631; A61M 25/0637; A61M 5/14228; A61M 5/142; A61F 2002/9517; F04B 43/082; F04B 43/1223

See application file for complete search history.

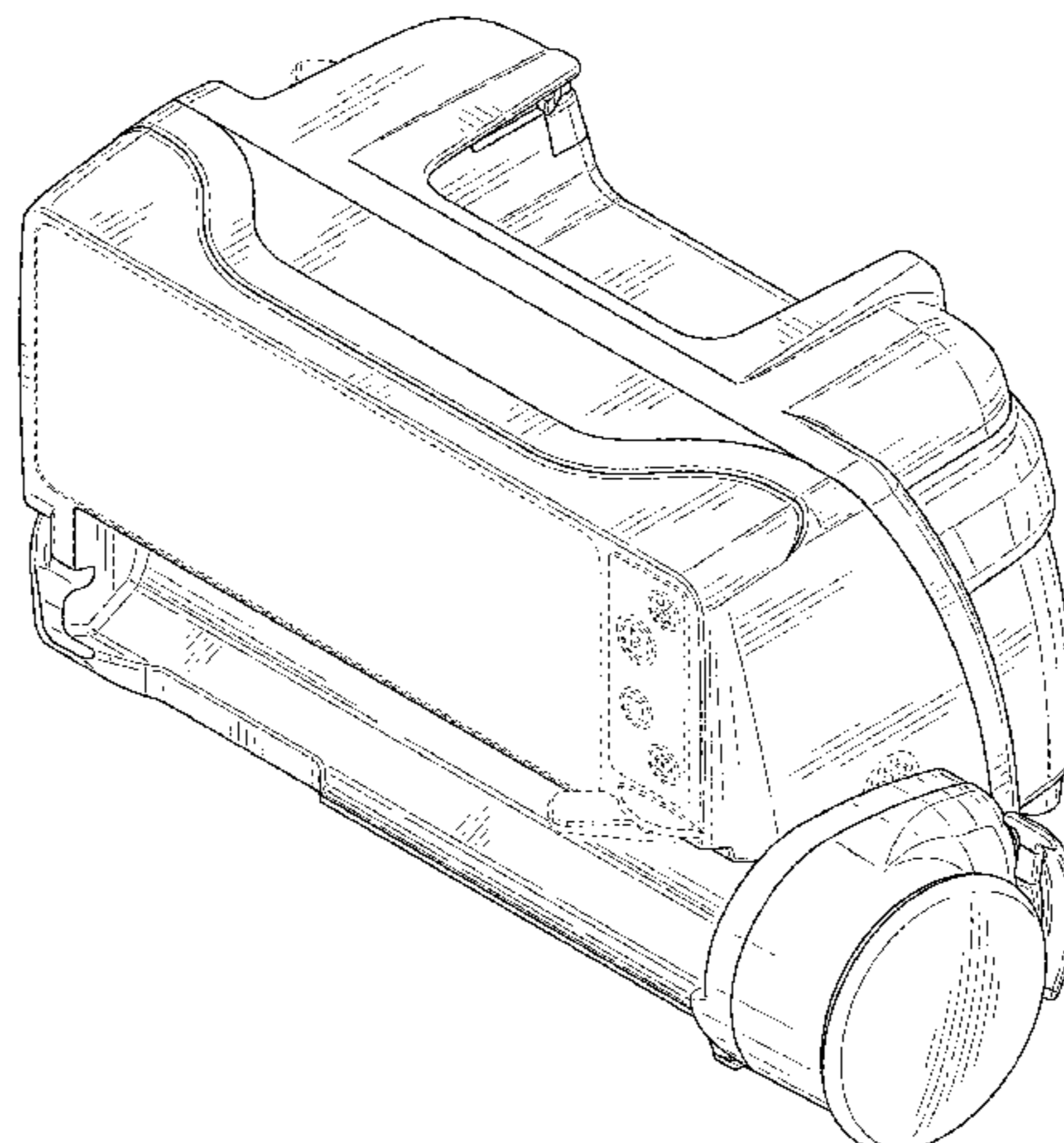
(57) **CLAIM**

We claim the ornamental design for a syringe pump, as shown and described.

**DESCRIPTION**

FIG. 1 is a perspective view of a syringe pump.  
FIG. 2 is a front elevation view of the syringe pump.  
FIG. 3 is a rear elevation view of the syringe pump.  
FIG. 4 is a side elevation view of the syringe pump.  
FIG. 5 is another side elevation view of the syringe pump, from the side opposite that in FIG. 4.  
FIG. 6 is a top plan view of the syringe pump; and,  
FIG. 7 is a bottom plan view of the syringe pump.

(Continued)



The dashed broken lines depict portions of the syringe pump that form no part of the claimed design.

**1 Claim, 7 Drawing Sheets**

(56)

**References Cited**

U.S. PATENT DOCUMENTS

D435,021 S 12/2000 Davis et al.  
 D474,837 S 5/2003 Gillespie, Jr. et al.  
 D669,096 S \* 10/2012 Katsura ..... D15/7  
 D679,379 S \* 4/2013 Katsura ..... D24/111  
 D691,259 S 10/2013 Estes et al.  
 9,008,803 B2 \* 4/2015 Blomquist ..... G06F 19/3406  
 604/151  
 9,314,566 B2 \* 4/2016 Wenger ..... A61M 5/14244  
 D761,741 S 7/2016 Santiago et al.  
 D766,204 S 9/2016 Takahata  
 9,446,186 B2 9/2016 Estes  
 D777,119 S 1/2017 Lin et al.  
 D787,504 S 5/2017 Hillman et al.  
 D793,346 S 8/2017 Folk et al.  
 D800,717 S 10/2017 Hillman et al.  
 2001/0044602 A1 11/2001 Angersbach et al.  
 2002/0107476 A1 8/2002 Mann et al.  
 2003/0060765 A1 3/2003 Campbell et al.  
 2003/0161744 A1 \* 8/2003 Vilks ..... A61M 5/14244  
 417/415  
 2004/0057855 A1 \* 3/2004 Gerlach ..... A61M 5/142  
 417/469  
 2004/0167464 A1 8/2004 Ireland et al.  
 2007/0073236 A1 \* 3/2007 Merno ..... A61M 5/14244  
 604/151

2007/0167912 A1 7/2007 Causey et al.  
 2007/0179444 A1 \* 8/2007 Causey ..... A61M 5/14244  
 604/131  
 2008/0103375 A1 5/2008 Kiani  
 2008/0281168 A1 11/2008 Gibson et al.  
 2008/0294142 A1 11/2008 Patel et al.  
 2009/0069749 A1 \* 3/2009 Miller ..... A61M 5/1413  
 604/151  
 2009/0247982 A1 \* 10/2009 Krulevitch ..... A61M 5/14224  
 604/500  
 2011/0040247 A1 2/2011 Mandro et al.  
 2011/0106318 A1 \* 5/2011 Ledford ..... A61M 5/1452  
 700/282  
 2011/0184383 A1 \* 7/2011 Hasegawa ..... A61M 5/1456  
 604/506  
 2012/0023808 A1 2/2012 Lagunas-Solar et al.  
 2012/0083760 A1 4/2012 Ledford et al.  
 2013/0053820 A1 11/2013 Estes et al.  
 2014/0200510 A1 \* 7/2014 Agard ..... A61M 5/3157  
 604/65  
 2014/0249500 A1 9/2014 Estes  
 2015/0018766 A1 1/2015 Nakanishi et al.  
 2015/0265768 A1 \* 9/2015 Vazquez ..... A61M 5/162  
 604/500  
 2015/0275887 A1 10/2015 Koyama et al.  
 2015/0314066 A1 \* 11/2015 Shimizu ..... A61M 5/16831  
 604/507  
 2016/0058939 A1 3/2016 Brewer et al.  
 2016/0228633 A1 8/2016 Welsch et al.  
 2016/0235910 A1 8/2016 Damiano  
 2016/0250410 A1 9/2016 Traversaz et al.  
 2017/0100536 A1 4/2017 Estes et al.  
 2017/0213012 A1 7/2017 O'Scolai et al.  
 2017/0281864 A1 10/2017 Searle et al.

\* cited by examiner

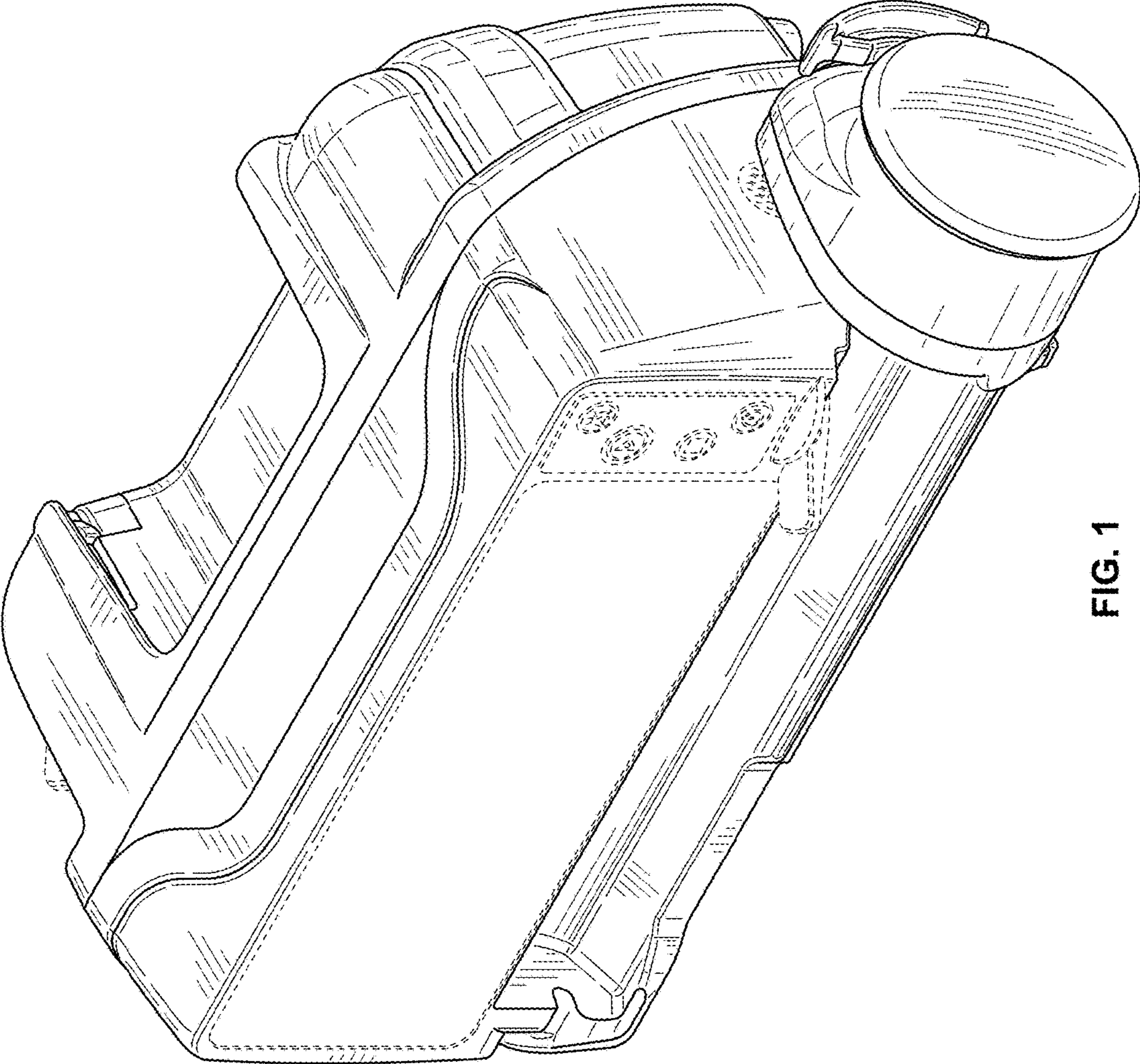


FIG. 1

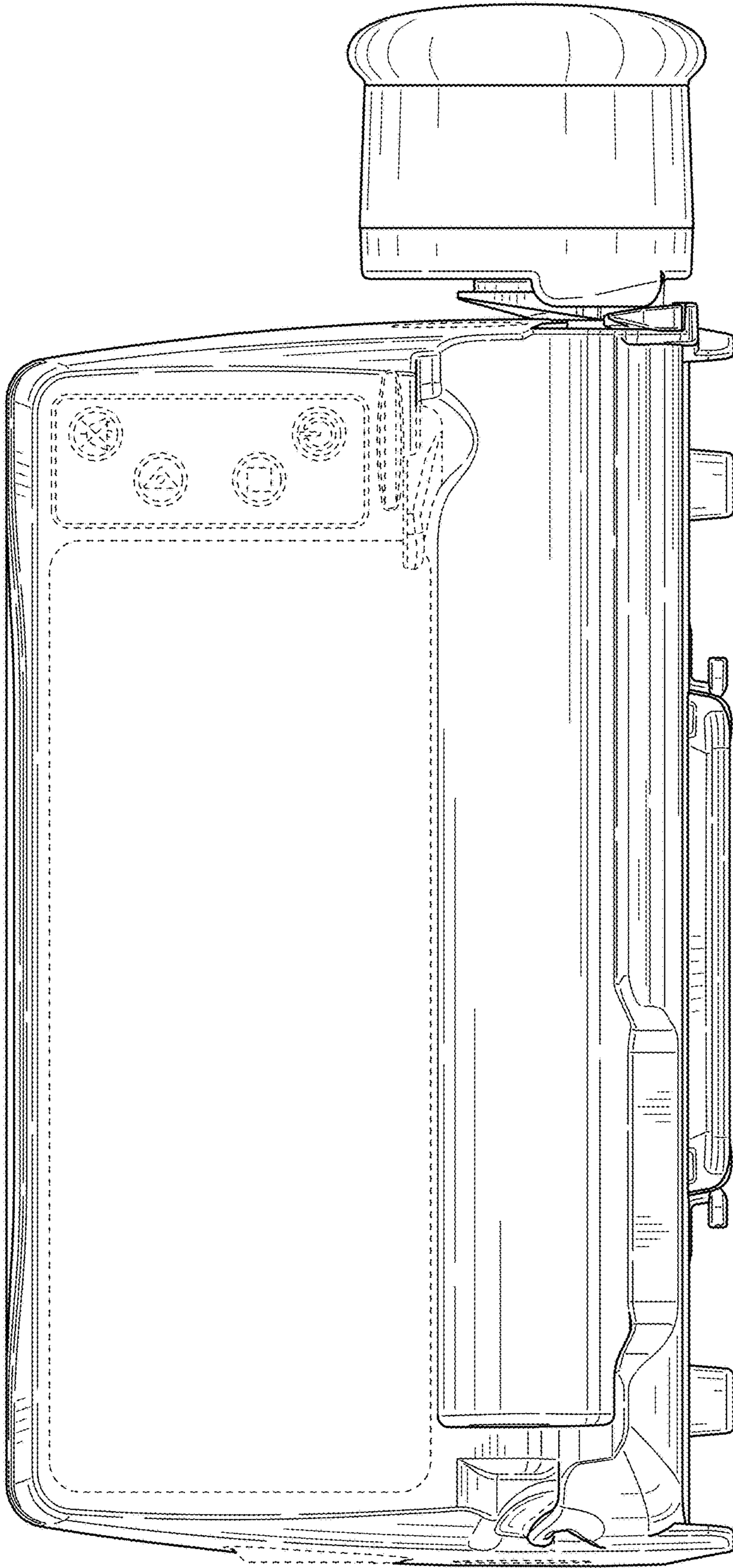


FIG. 2

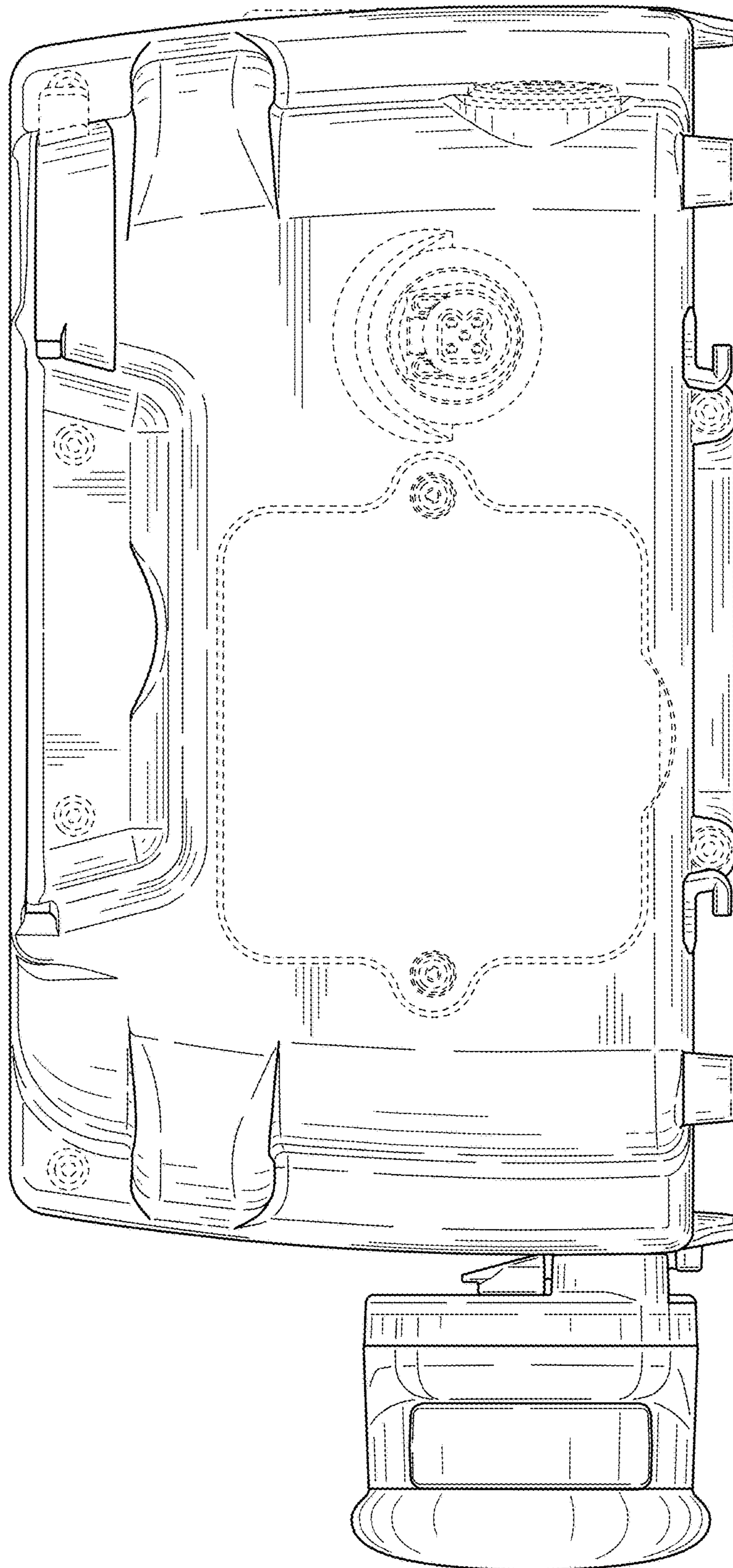


FIG. 3

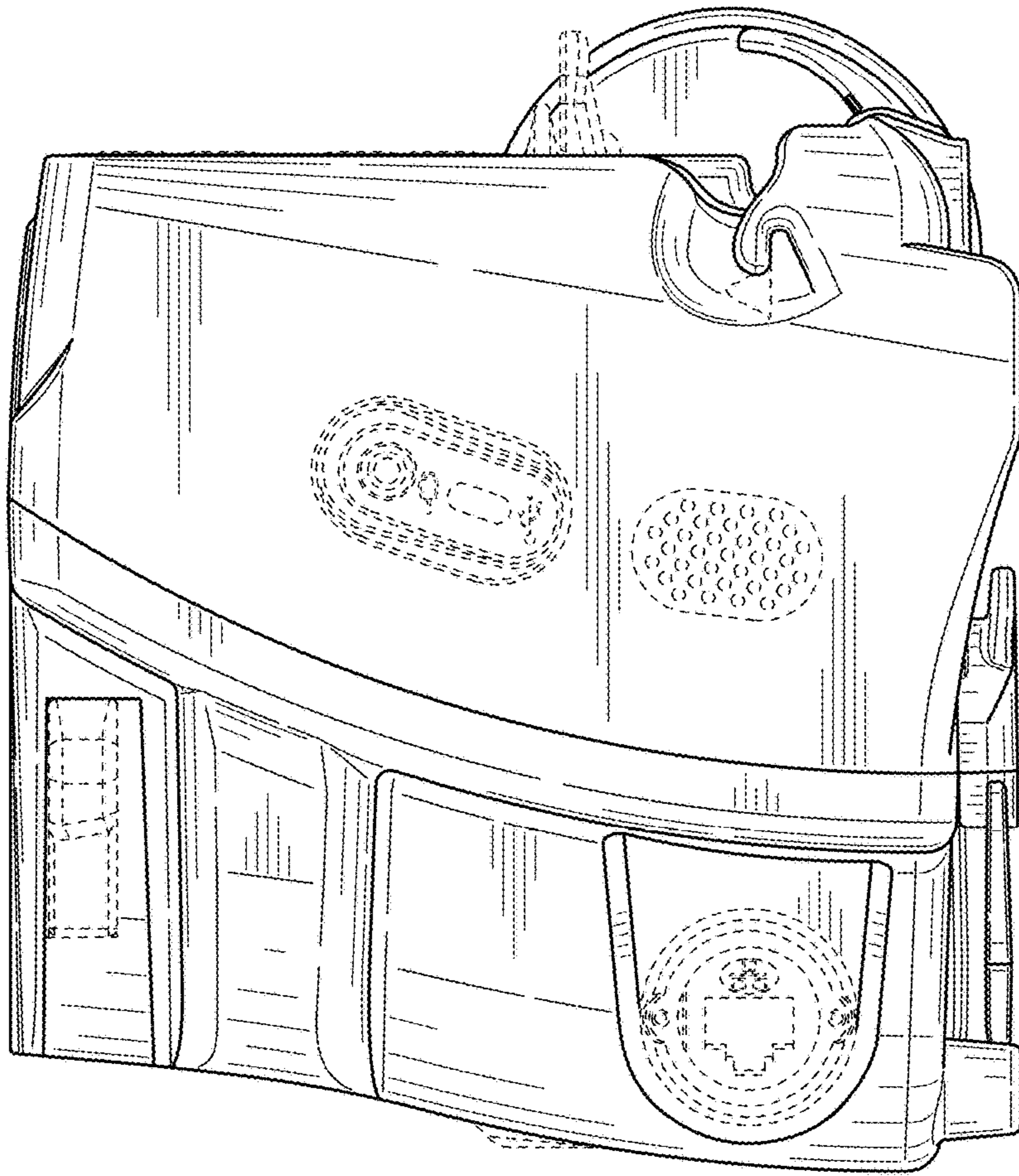


FIG. 4

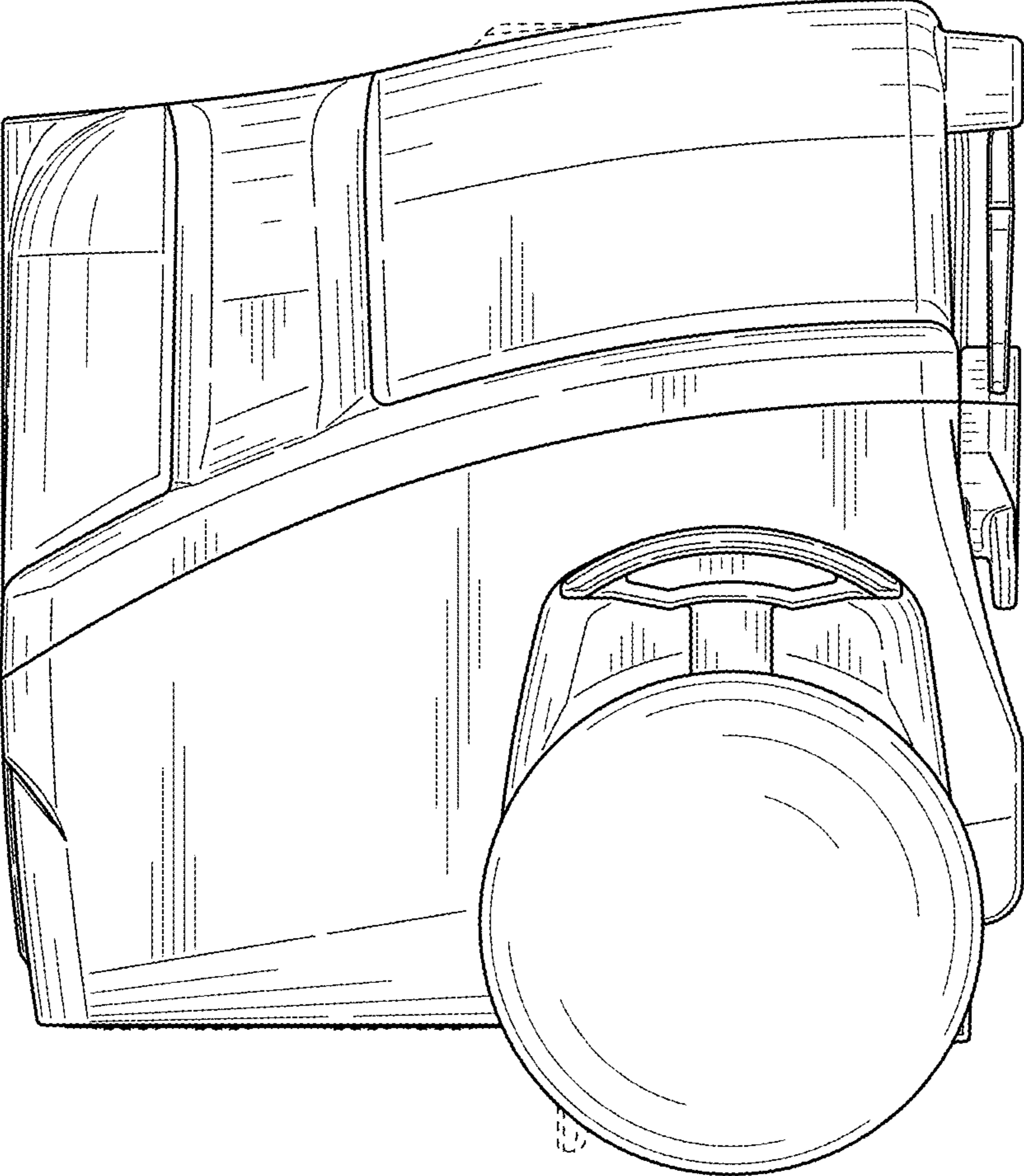


FIG. 5

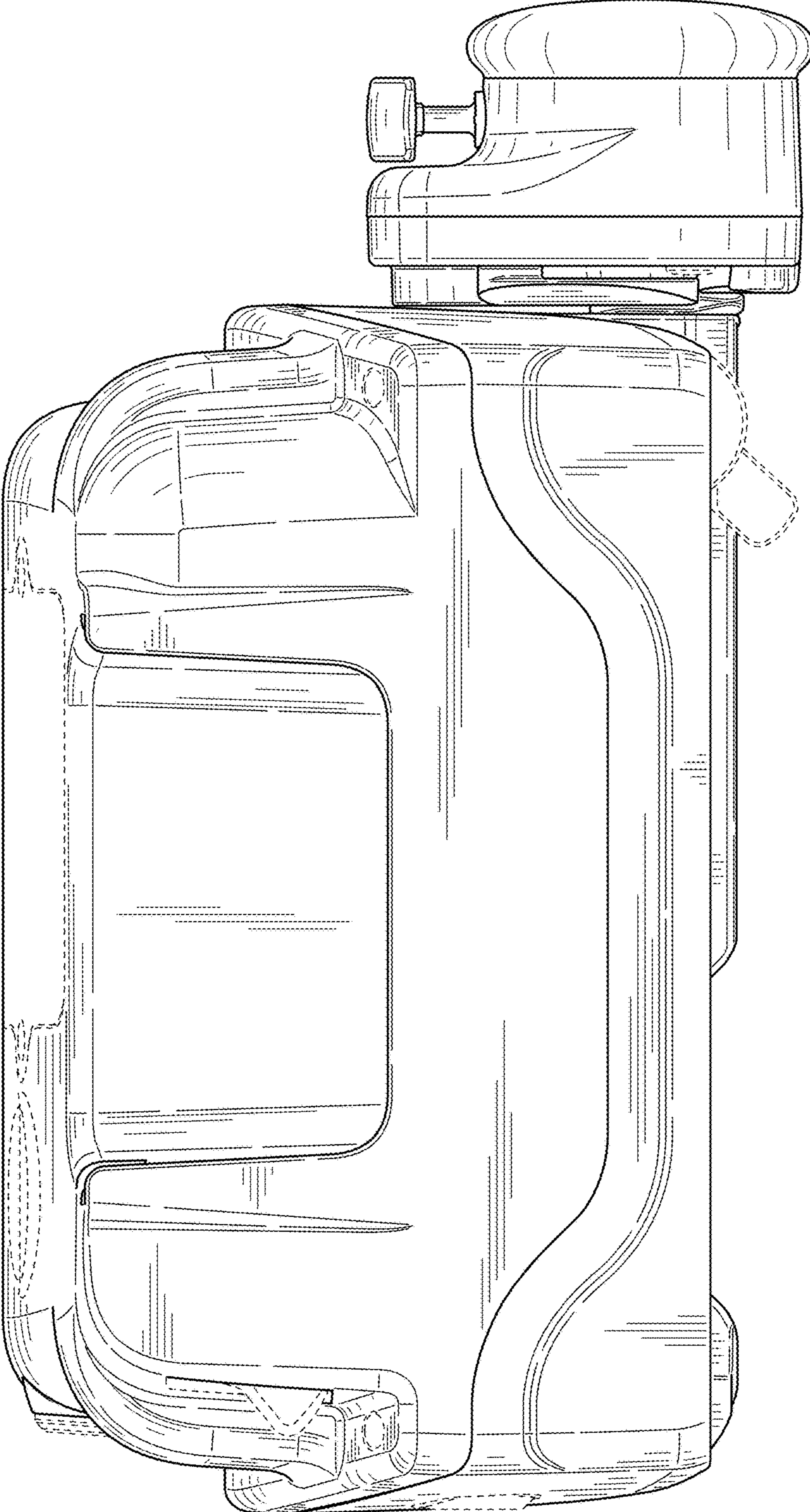


FIG. 6



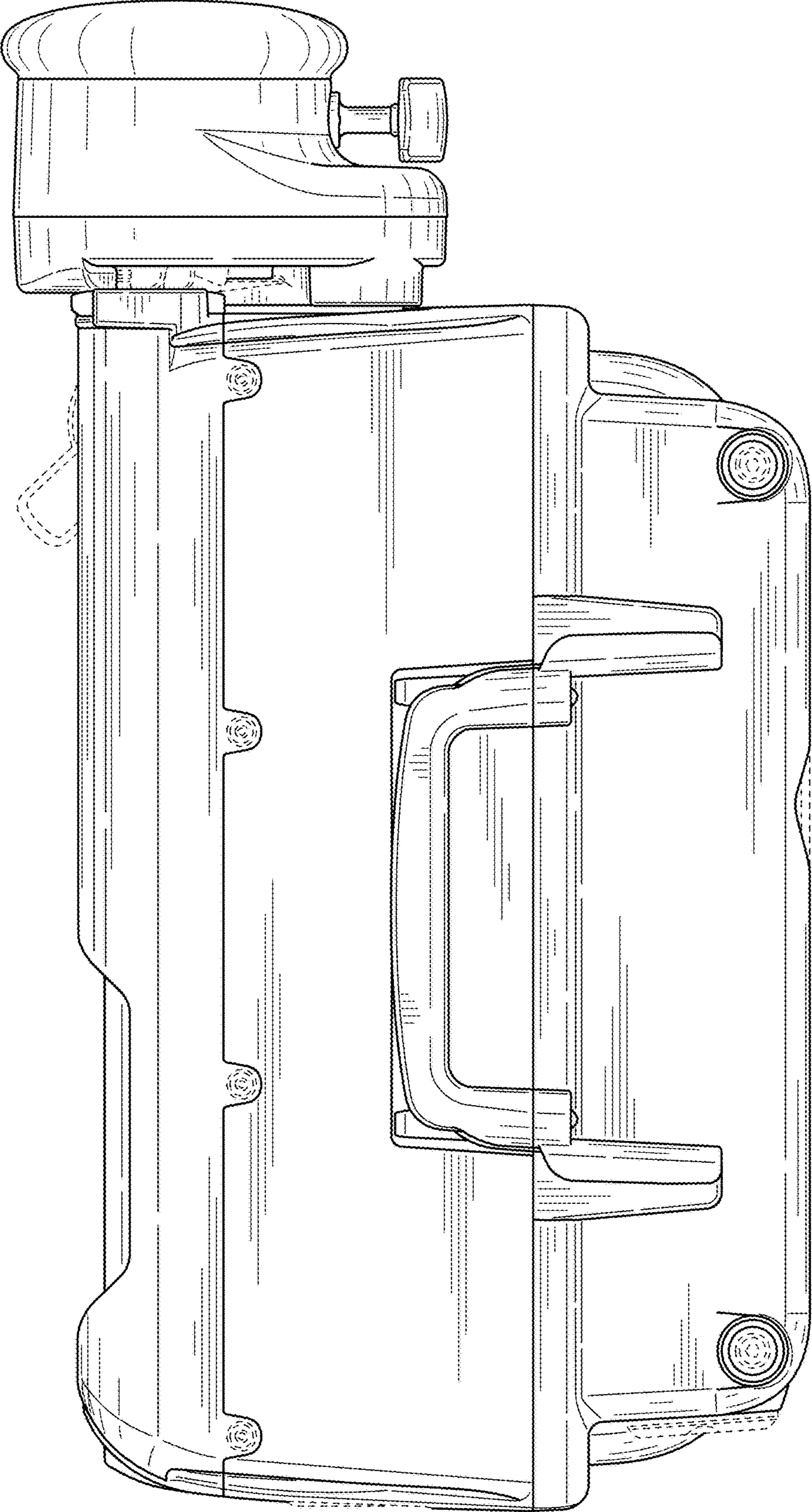


FIG. 7