

US00D828543S

(12) **United States Design Patent**
Khan

(10) **Patent No.:** **US D828,543 S**

(45) **Date of Patent:** **** Sep. 11, 2018**

- (54) **DUAL NOSTRIL NASAL SPRAY DEVICE**
- (71) Applicant: **Khanquer Pharma, Inc.**, Cherry Hill, NJ (US)
- (72) Inventor: **Micah Khan**, Cherry Hill, NJ (US)
- (73) Assignee: **Khanquer Pharma, Inc.**, Cherry Hill, NJ (US)
- (**) Term: **15 Years**
- (21) Appl. No.: **29/612,422**
- (22) Filed: **Aug. 1, 2017**
- (51) **LOC (11) Cl.** **29-02**
- (52) **U.S. Cl.**
USPC **D24/110; D24/114**
- (58) **Field of Classification Search**
USPC **D24/108, 110, 112-114**
CPC . **A61M 15/08; A61M 2210/0618; A61F 5/08; A61B 2018/00327**
See application file for complete search history.

- 4,946,069 A * 8/1990 Fuchs B05B 11/02 222/320
- D331,106 S * 11/1992 Fuchs D24/110
- D349,236 S * 8/1994 Moore D24/110
- 5,810,004 A * 9/1998 Ohki A61M 15/0028 128/203.15
- D401,323 S * 11/1998 Ritsche D24/110
- 5,899,202 A * 5/1999 Ohki A61M 15/0028 128/203.15
- 5,901,703 A * 5/1999 Ohki A61M 15/0028 128/200.14
- 5,921,236 A * 7/1999 Ohki A61M 15/0028 128/203.12
- D412,572 S * 8/1999 Gray D24/110
- D414,261 S * 9/1999 Ritsche D24/110
- D414,555 S * 9/1999 Ritsche D24/110
- D471,973 S * 3/2003 Gillissen D24/110
- D686,312 S * 7/2013 Allsop D24/110

* cited by examiner

Primary Examiner — Karen Elizabeth Kearney
Assistant Examiner — Lilyana Bekic
(74) *Attorney, Agent, or Firm* — Blank Rome LLP

(57) **CLAIM**

I claim an ornamental design for a dual nostril nasal spray device, as shown and described.

DESCRIPTION

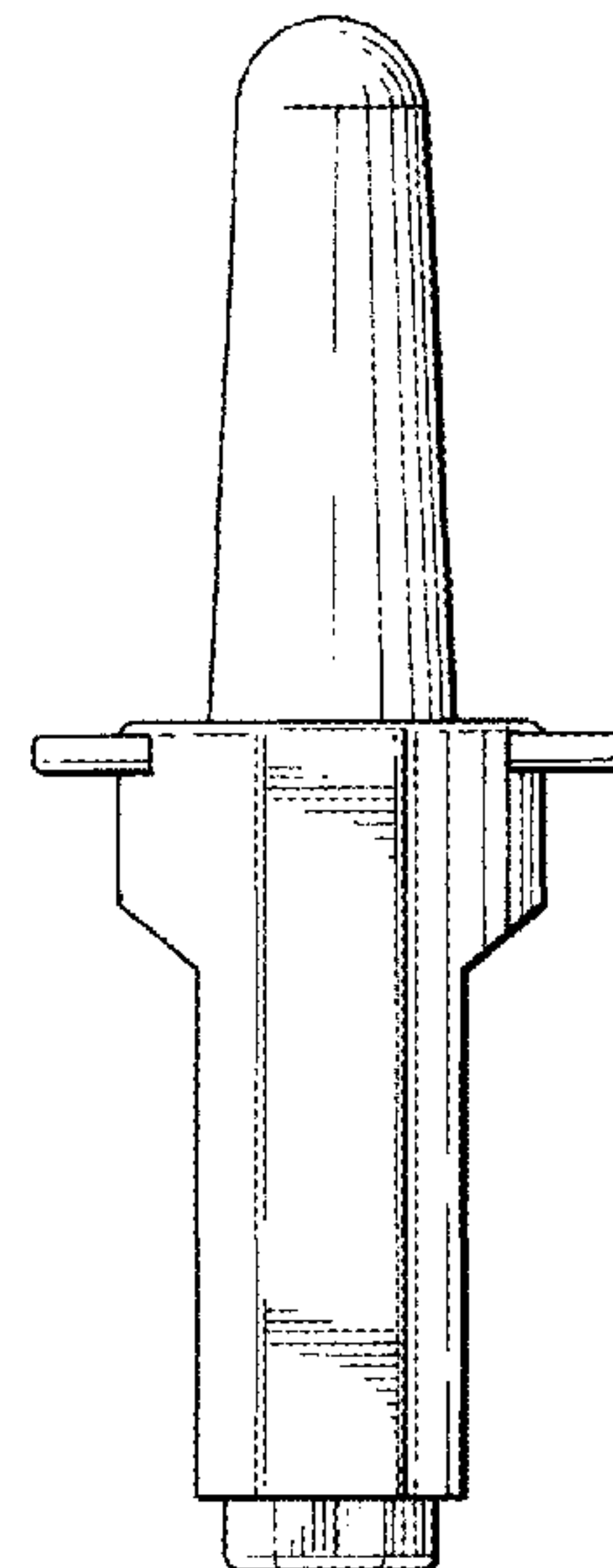
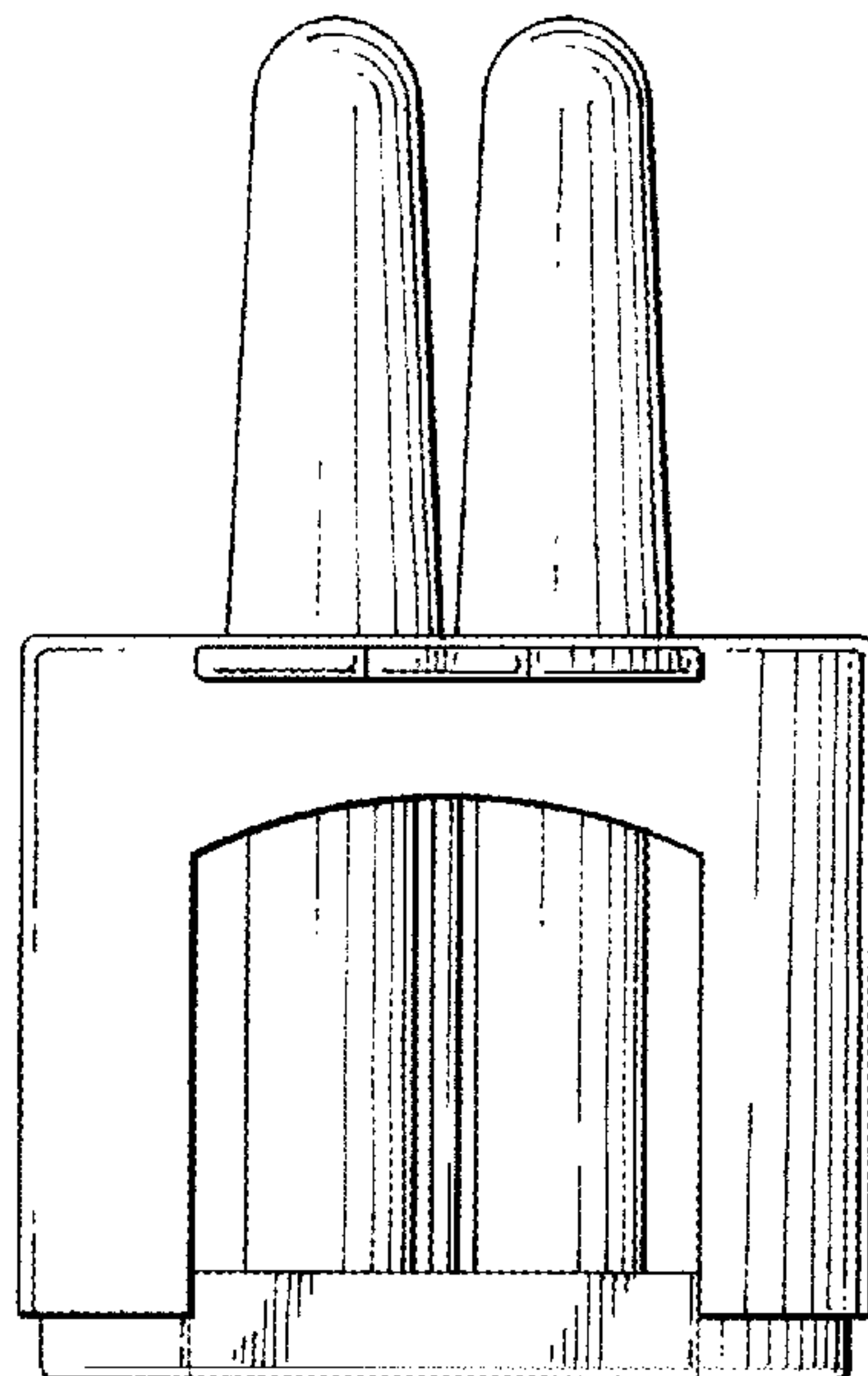
FIG. 1 is a front view of a dual nostril nasal spray device of the present design, the rear view being a mirror image thereof;
FIG. 2 is a first side view thereof, the second side view being a mirror image thereof;
FIG. 3 is a top view thereof; and,
FIG. 4 is a bottom view thereof.

1 Claim, 1 Drawing Sheet

(56) **References Cited**

U.S. PATENT DOCUMENTS

- D31,465 S * 8/1899 Conlin D24/110
- D196,698 S * 10/1963 Schwartzman et al. D24/110
- 3,198,193 A * 8/1965 Schwartzman A61M 15/08 128/203.22
- 3,255,750 A * 6/1966 Schwartzman A61M 15/08 128/203.22
- 4,083,368 A * 4/1978 Freezer A61M 15/08 128/203.22
- 4,921,142 A * 5/1990 Graf B05B 11/02 222/162



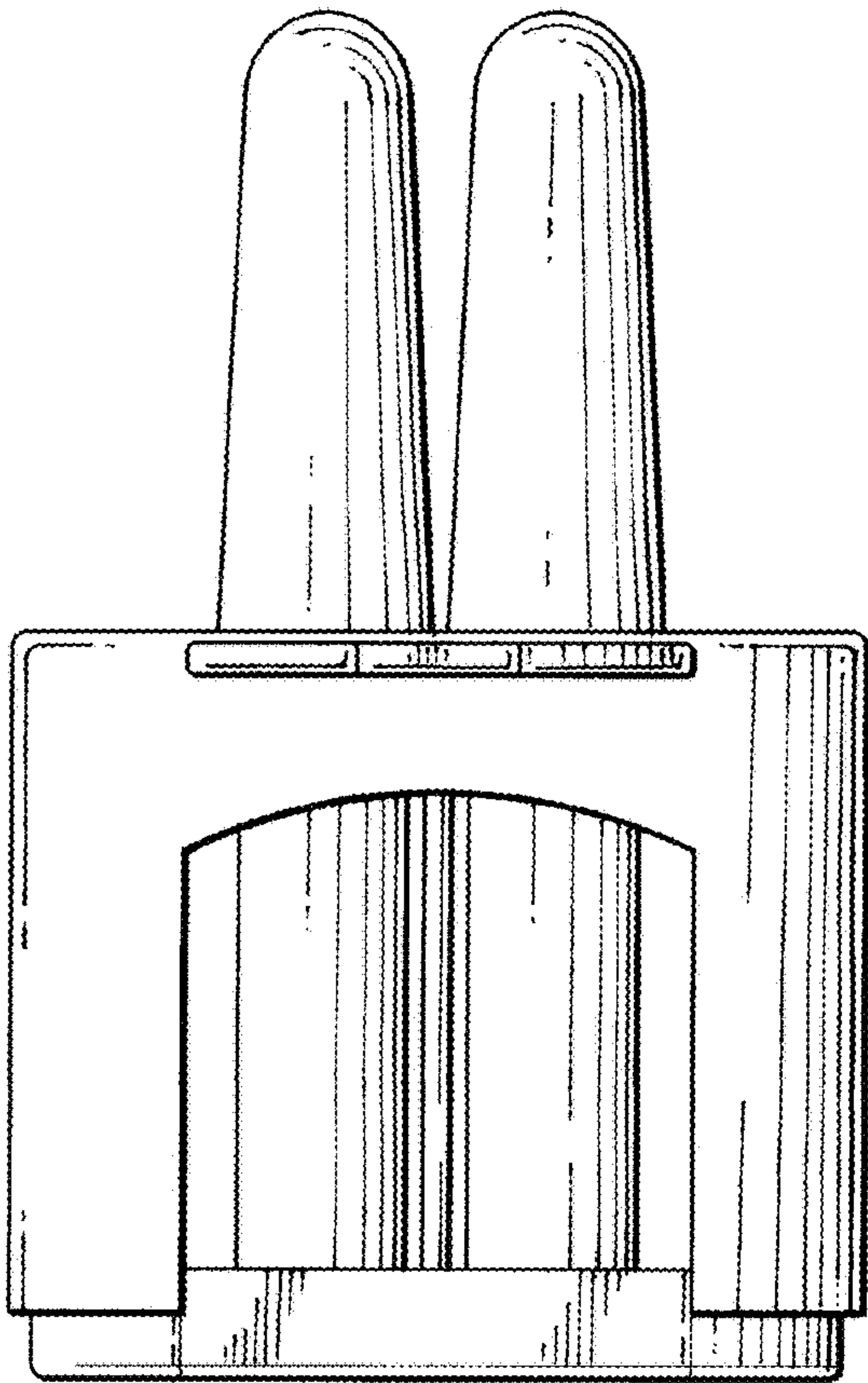


FIG. 1

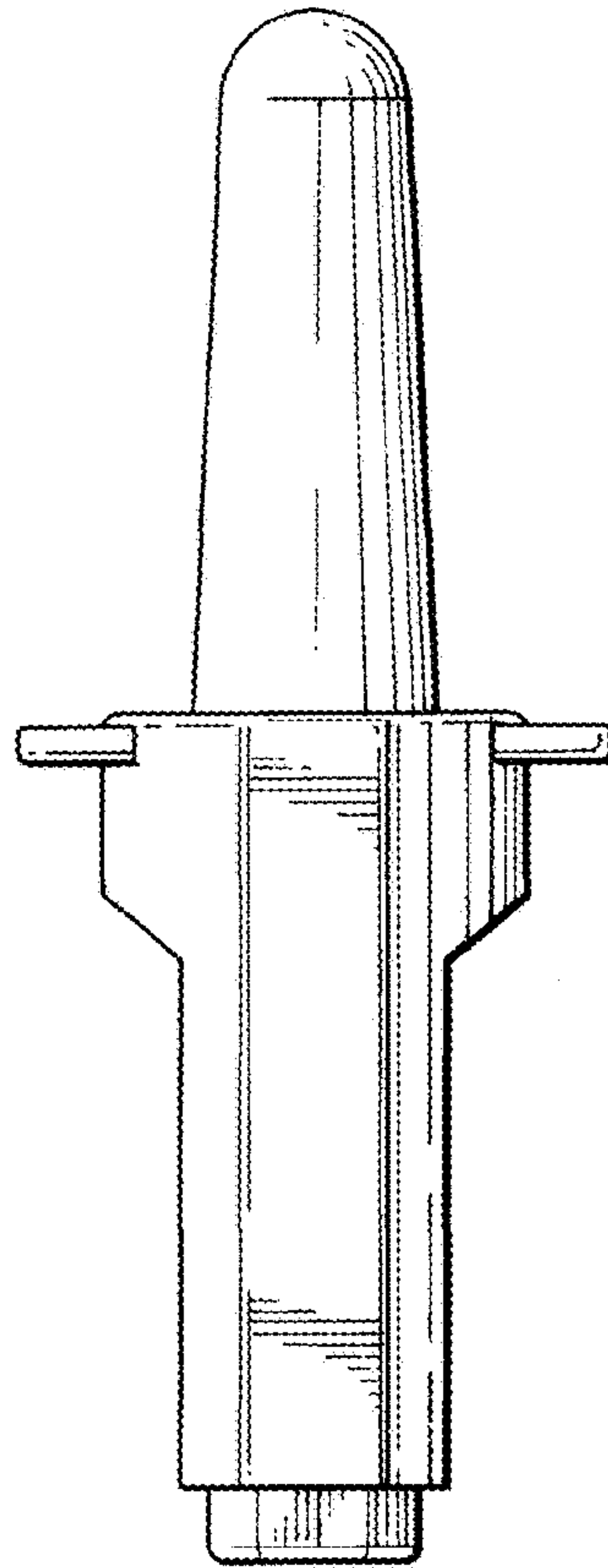


FIG. 2

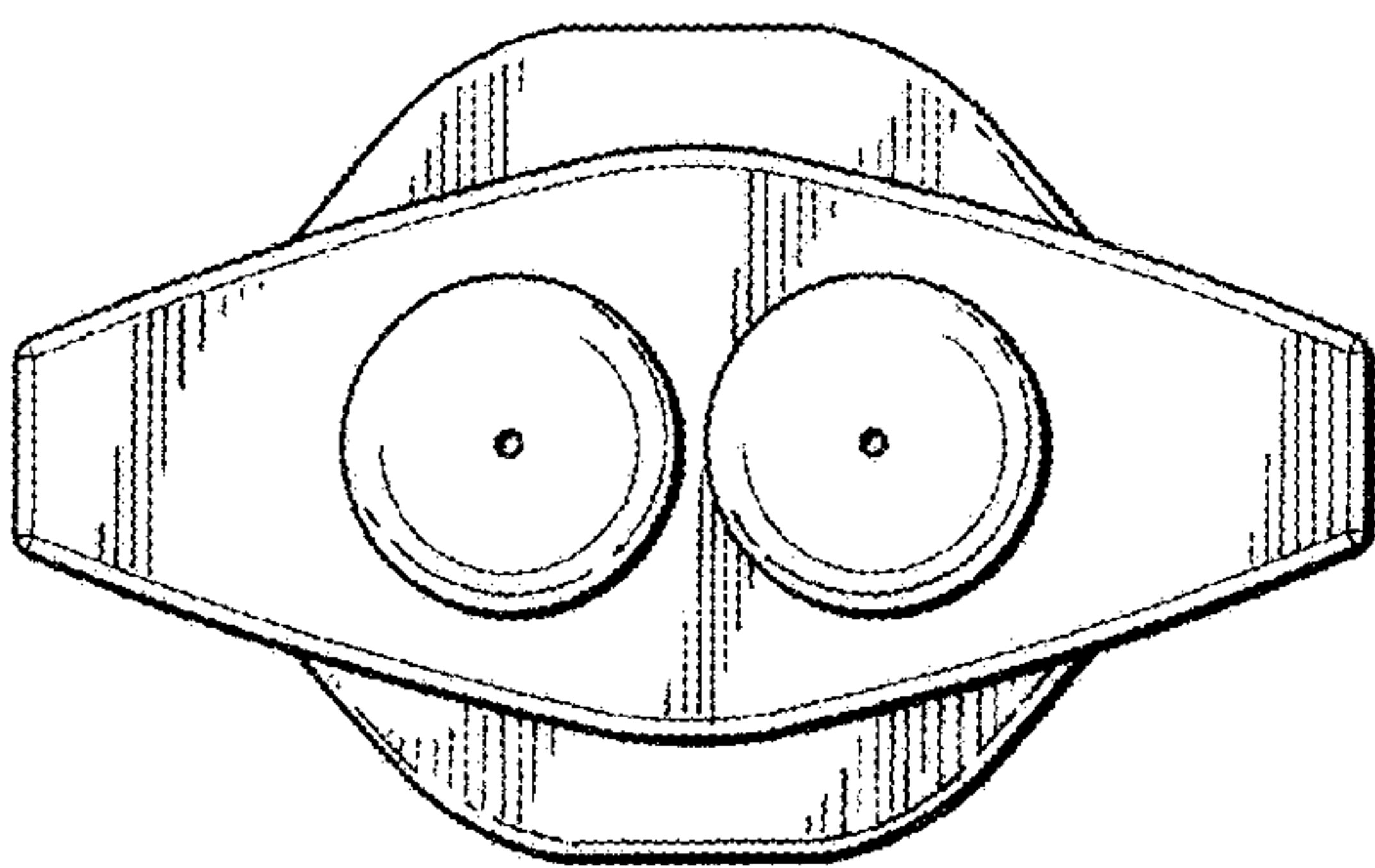


FIG. 3

FIG. 4

