



US00D828542S

(12) **United States Design Patent**
Mason et al.

(10) **Patent No.:** **US D828,542 S**

(45) **Date of Patent:** **** Sep. 11, 2018**

- (54) **FLANGE FOR A BREAST PUMP**
- (71) Applicant: **EXPLORAMED NC7, INC.**, Mountain View, CA (US)
- (72) Inventors: **Brian Mason**, Menlo Park, CA (US); **John Chang**, Los Altos, CA (US)
- (73) Assignee: **ExploraMed NC7, Inc.**, Mountain View, CA (US)
- (**) Term: **15 Years**
- (21) Appl. No.: **29/554,300**
- (22) Filed: **Feb. 10, 2016**
- (51) **LOC (11) Cl.** **24-02**
- (52) **U.S. Cl.**
USPC **D24/109**
- (58) **Field of Classification Search**
USPC D24/108, 109, 127; 604/74–76
CPC A61M 1/062; A61M 1/06; A61M 1/066;
A61M 1/064; A61J 9/00; A61J 9/001
See application file for complete search history.

(56) **References Cited**

U.S. PATENT DOCUMENTS

- 3,840,012 A * 10/1974 Rushton, Jr. A61M 1/064
450/37
- D246,729 S * 12/1977 Murphy D2/706
- 4,270,538 A * 6/1981 Murphy A61F 13/141
450/37
- 5,032,103 A * 7/1991 Larsson A61F 15/008
128/890
- D496,723 S * 9/2004 Myers D24/109
- D496,725 S * 9/2004 Myers D24/109
- 7,662,018 B1 * 2/2010 Thompson A61J 13/00
215/306
- 7,785,305 B2 * 8/2010 Myers A61M 1/062
604/327
- D628,301 S * 11/2010 Olshansky D24/194

- D683,843 S * 6/2013 Cudworth D24/109
- 8,720,713 B2 * 5/2014 Olshansky A61F 15/001
215/11.1
- D809,646 S * 2/2018 Mason D24/109
- 2002/0193731 A1 * 12/2002 Myers A61M 1/06
604/74
- 2005/0080376 A1 * 4/2005 Myers A61M 1/06
604/74
- 2007/0219486 A1 * 9/2007 Myers A61M 1/062
604/74
- 2008/0275386 A1 * 11/2008 Myers A61M 1/06
604/74
- 2009/0030368 A1 * 1/2009 Silver A61H 9/0057
604/74
- 2017/0072118 A1 * 3/2017 Makower A61M 1/06
- 2018/0008758 A1 * 1/2018 Garbez A61M 1/066
- 2018/0021490 A1 * 1/2018 Chang A61M 1/008
- 2018/0104396 A1 * 4/2018 Park A61M 1/062

* cited by examiner

Primary Examiner — Barbara G Fox

Assistant Examiner — Lilyana Bekic

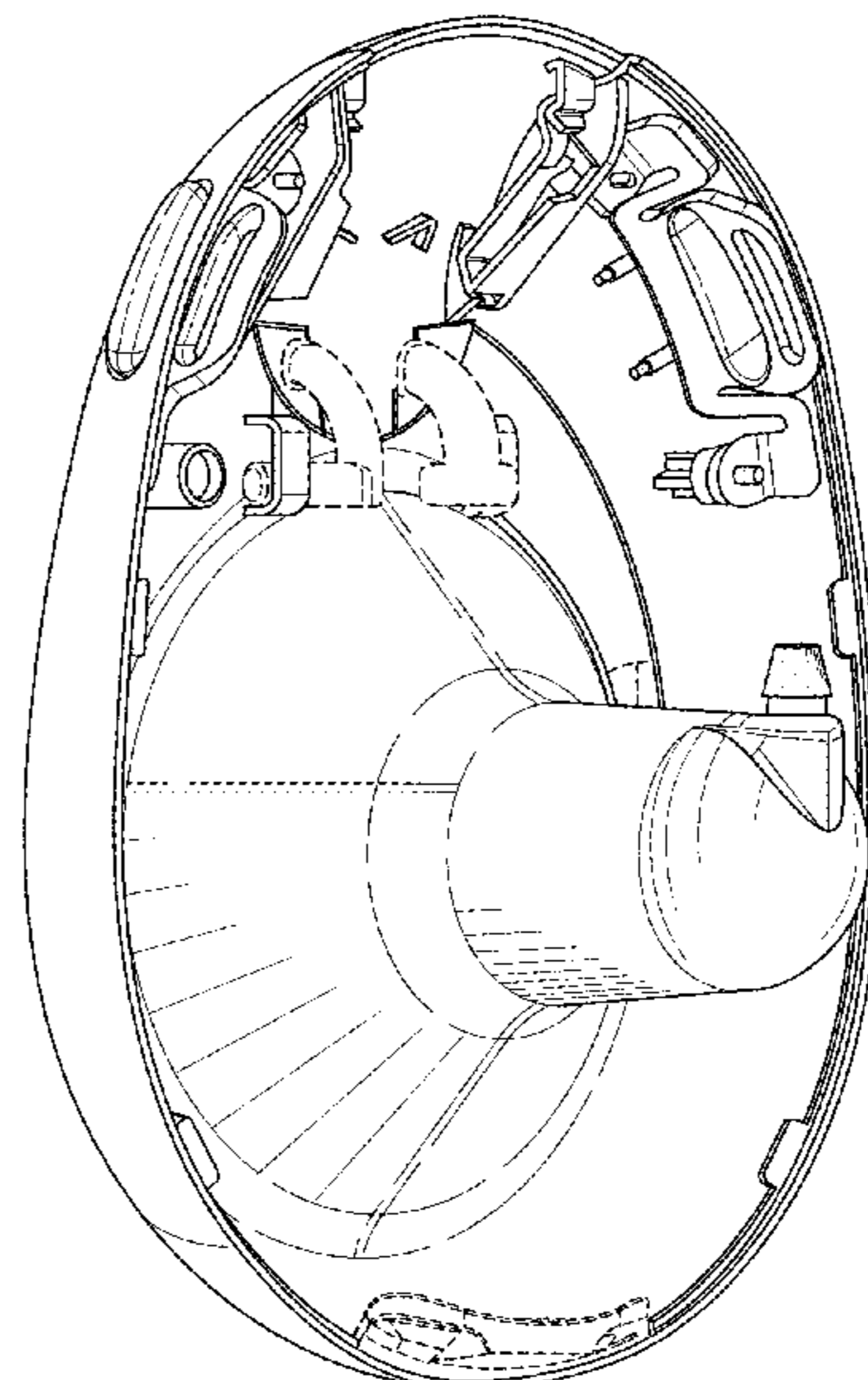
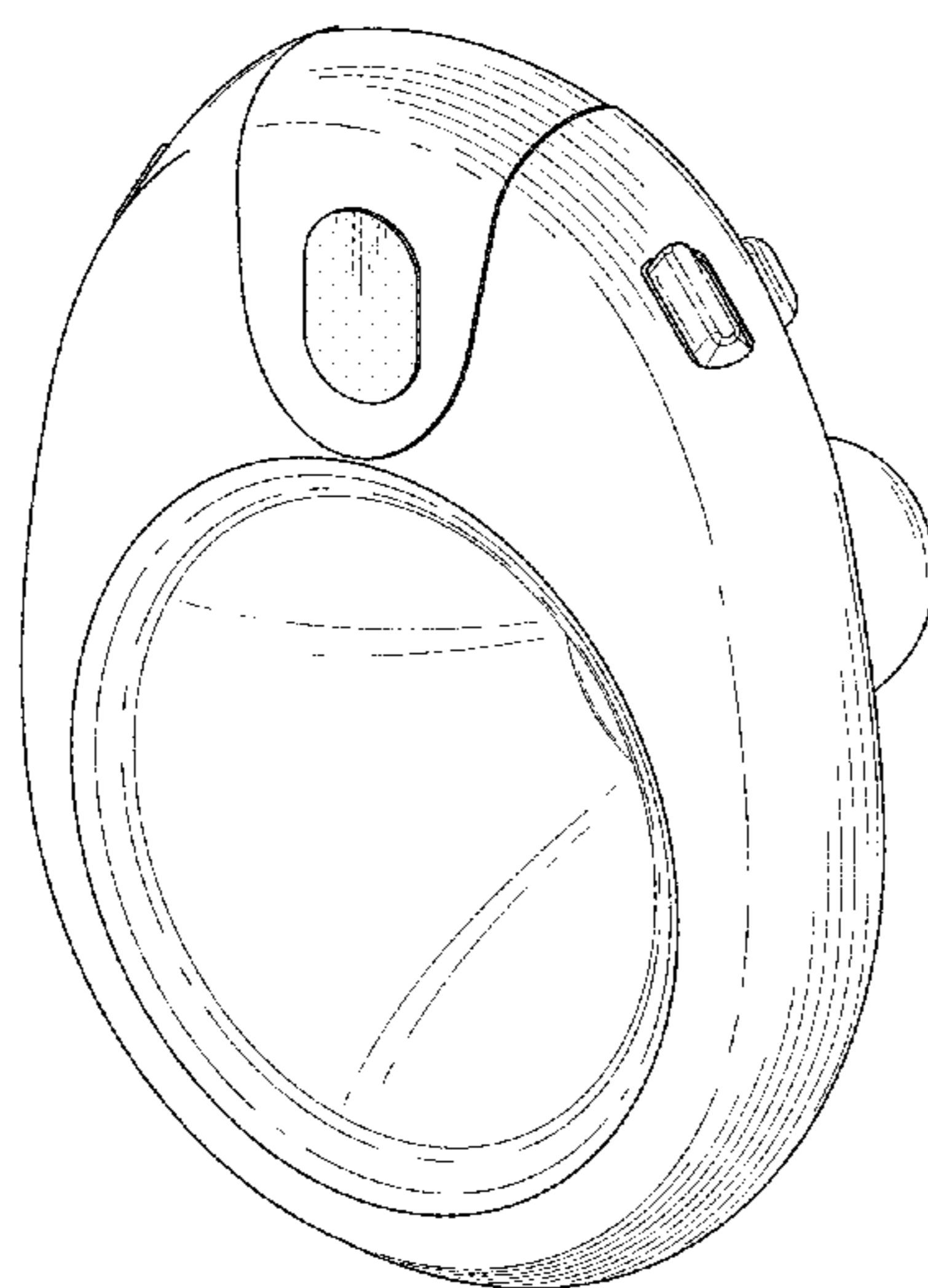
(57) **CLAIM**

The ornamental design for a flange for a breast pump, as shown and described.

DESCRIPTION

FIG. 1 is a front perspective view of a flange for a breast pump showing our new design;
 FIG. 2 is a front view thereof;
 FIG. 3 is a rear view thereof;
 FIG. 4 is a left side view thereof;
 FIG. 5 is a right side view thereof;
 FIG. 6 is a top view thereof;
 FIG. 7 is a bottom view thereof; and,
 FIG. 8 is a back perspective view thereof.
 The dash-dash broken lines in the drawings depict portions of the flange for a breast pump that form no part of the claimed design.

1 Claim, 6 Drawing Sheets



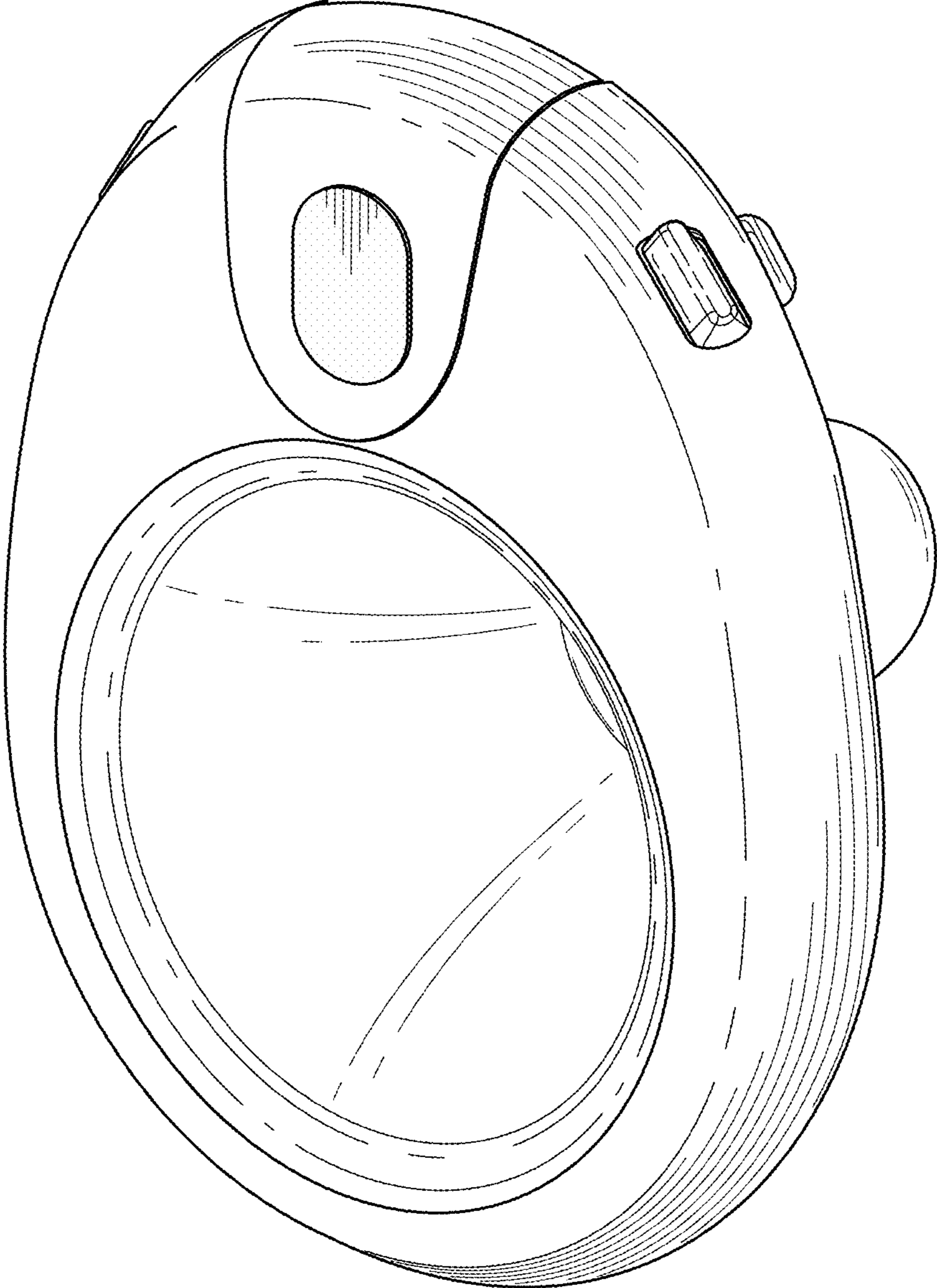


FIG. 1

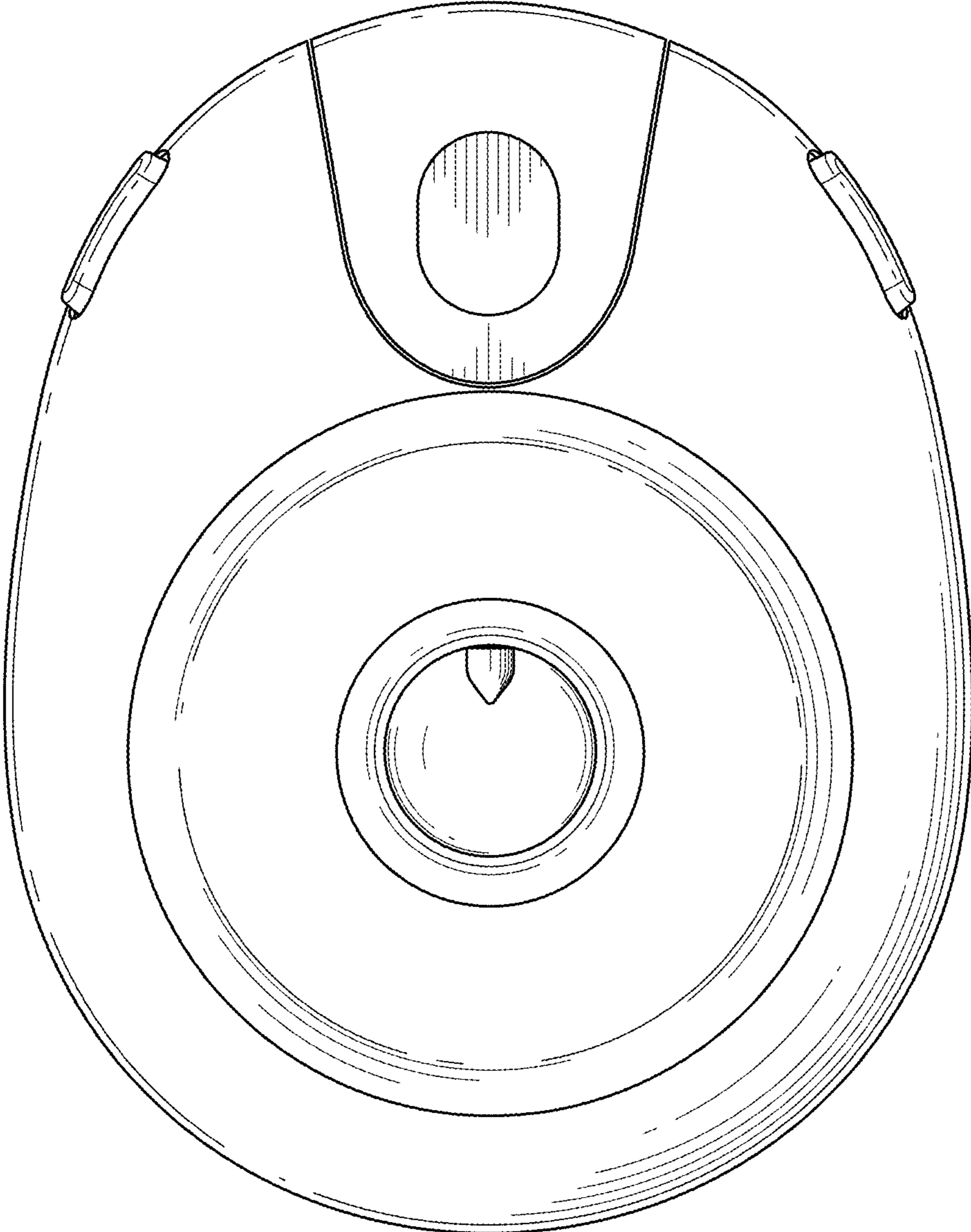


FIG. 2

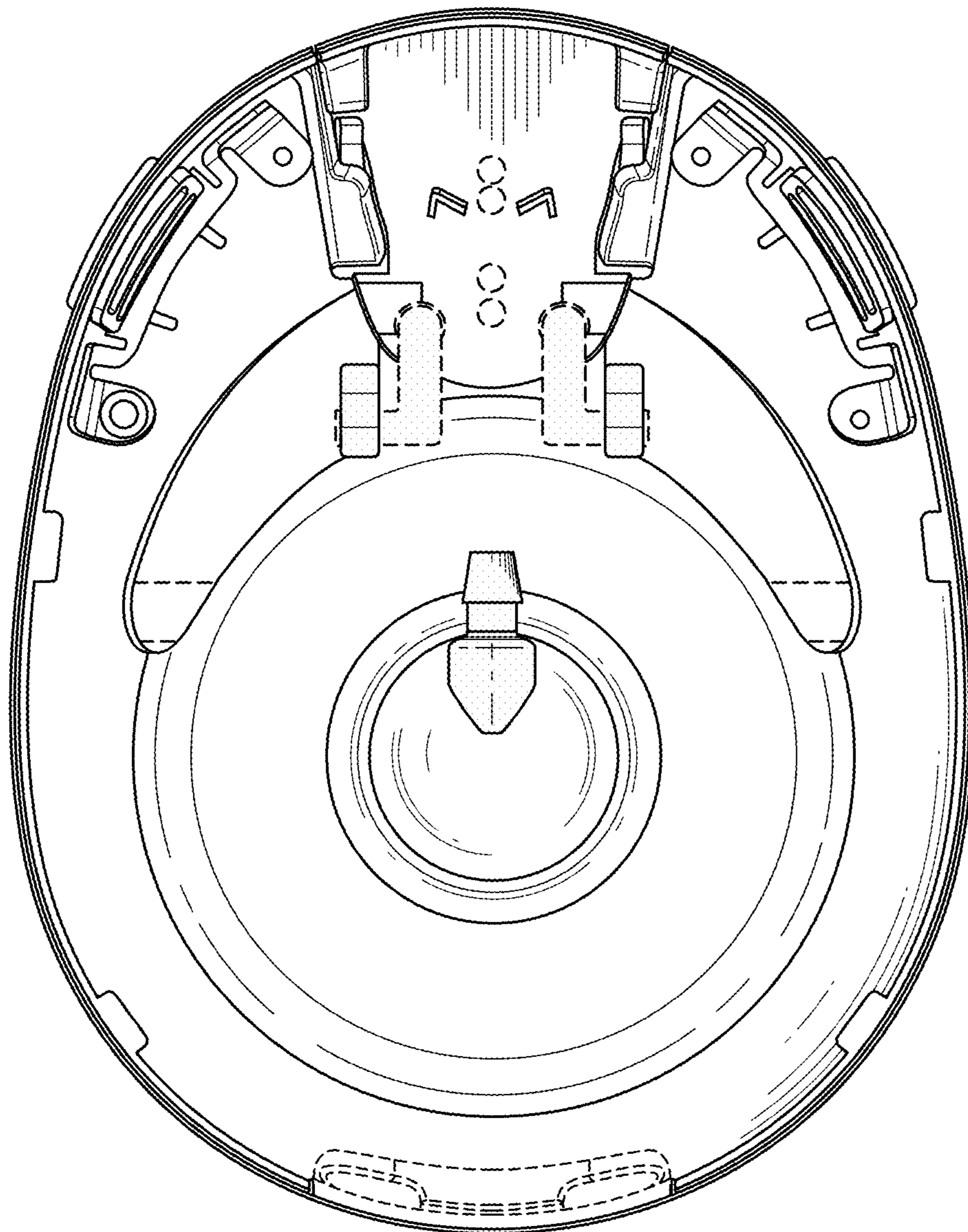


FIG. 3

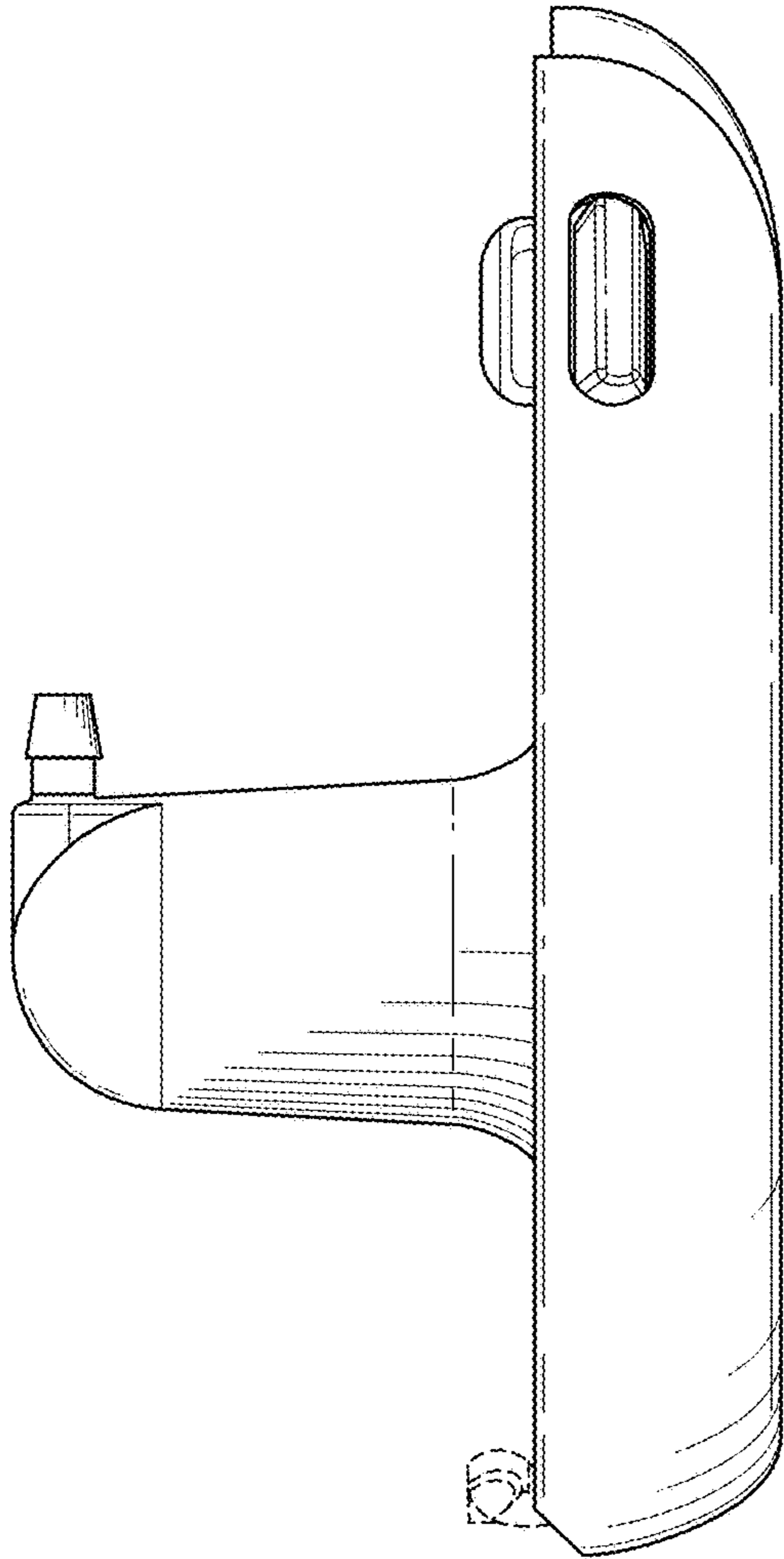


FIG. 4

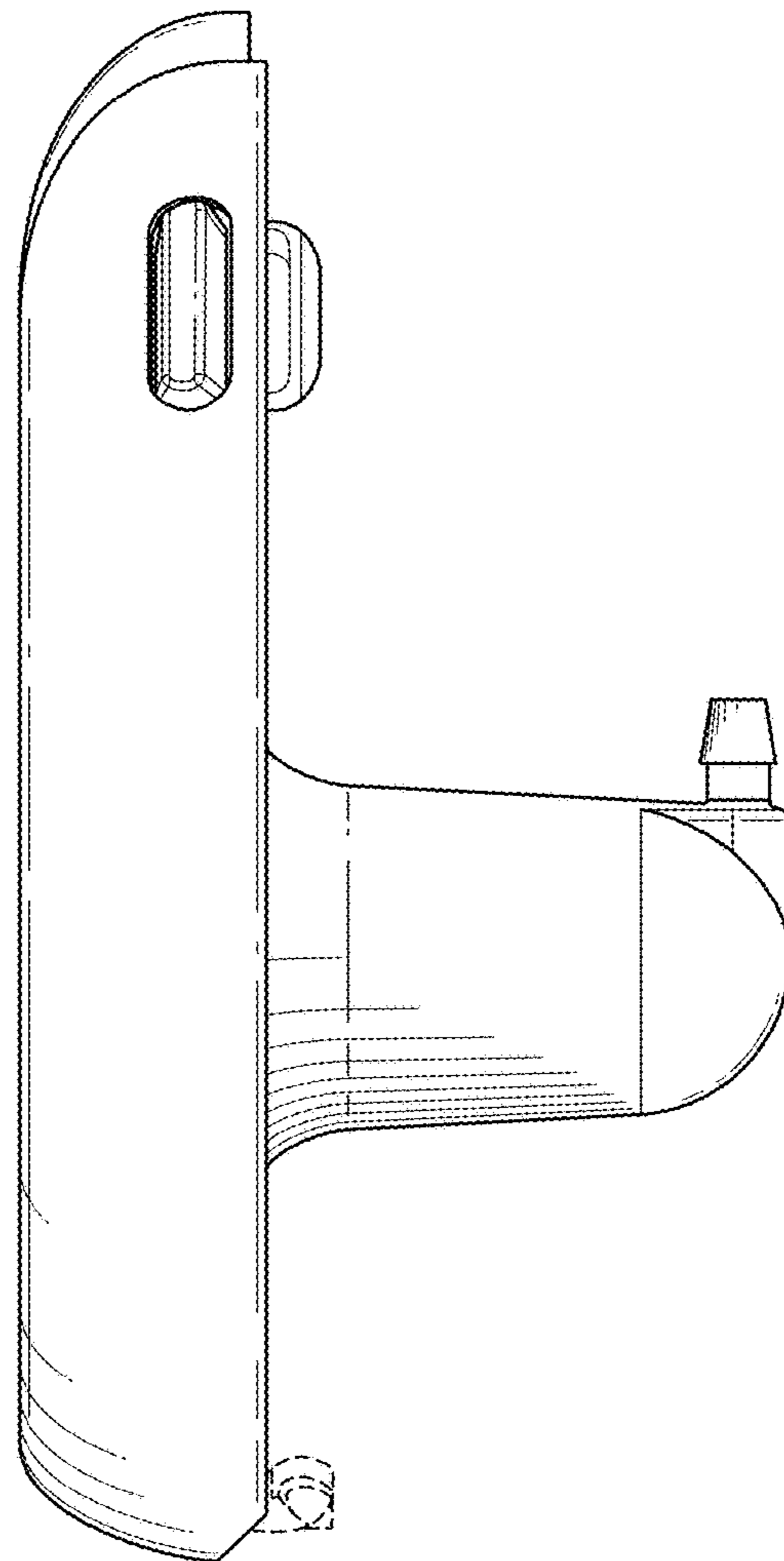


FIG. 5

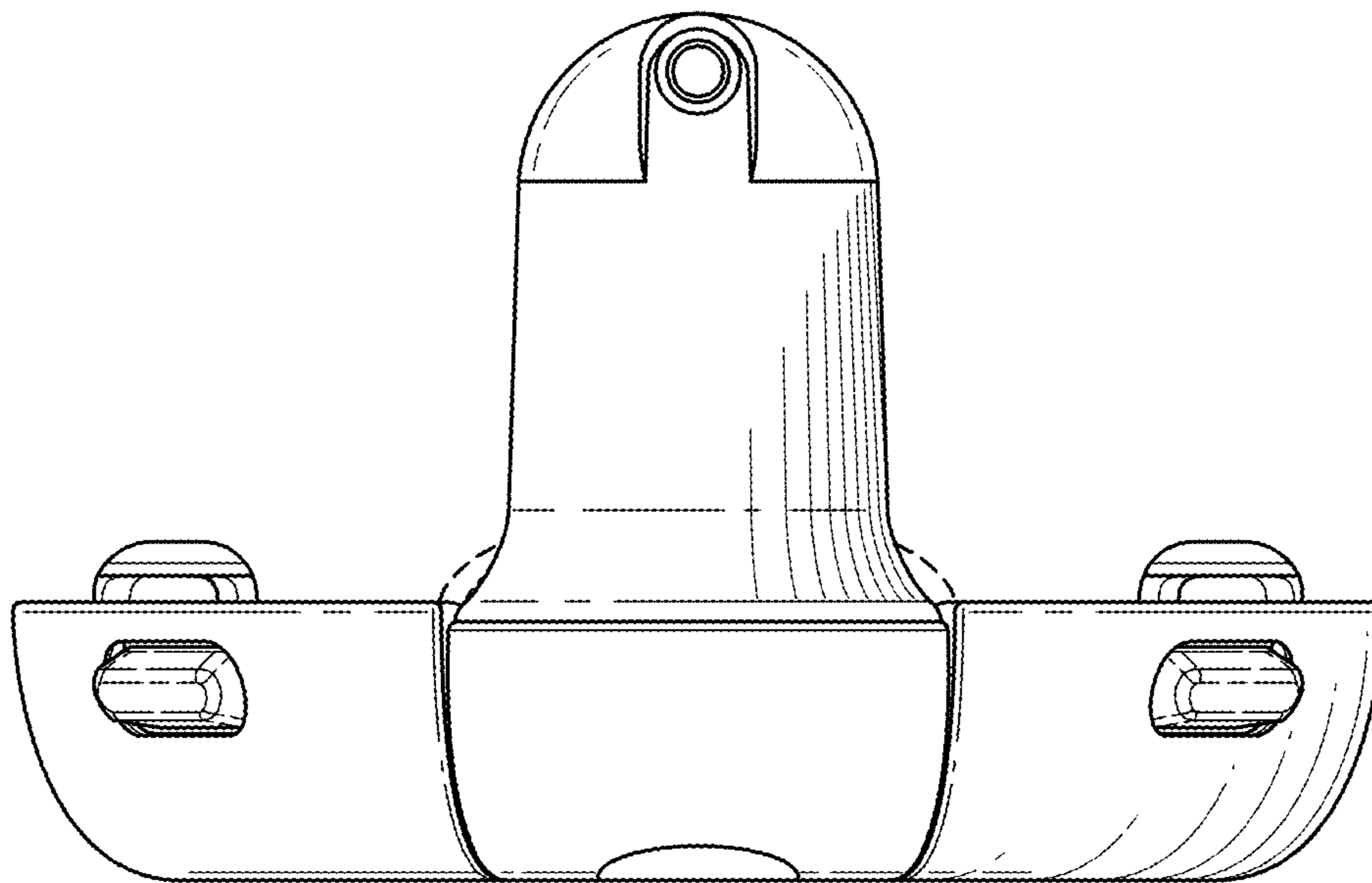


FIG. 6

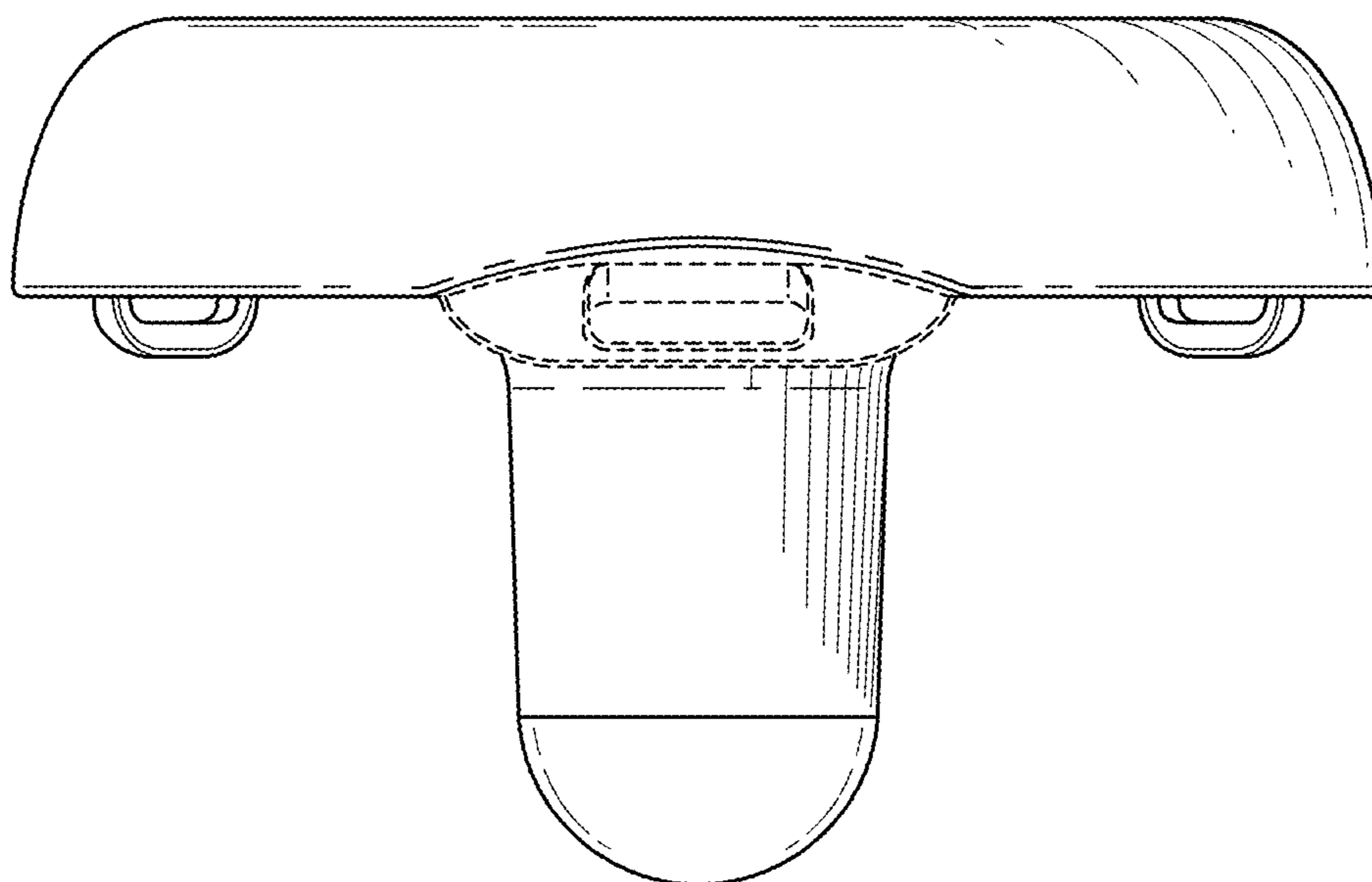


FIG. 7

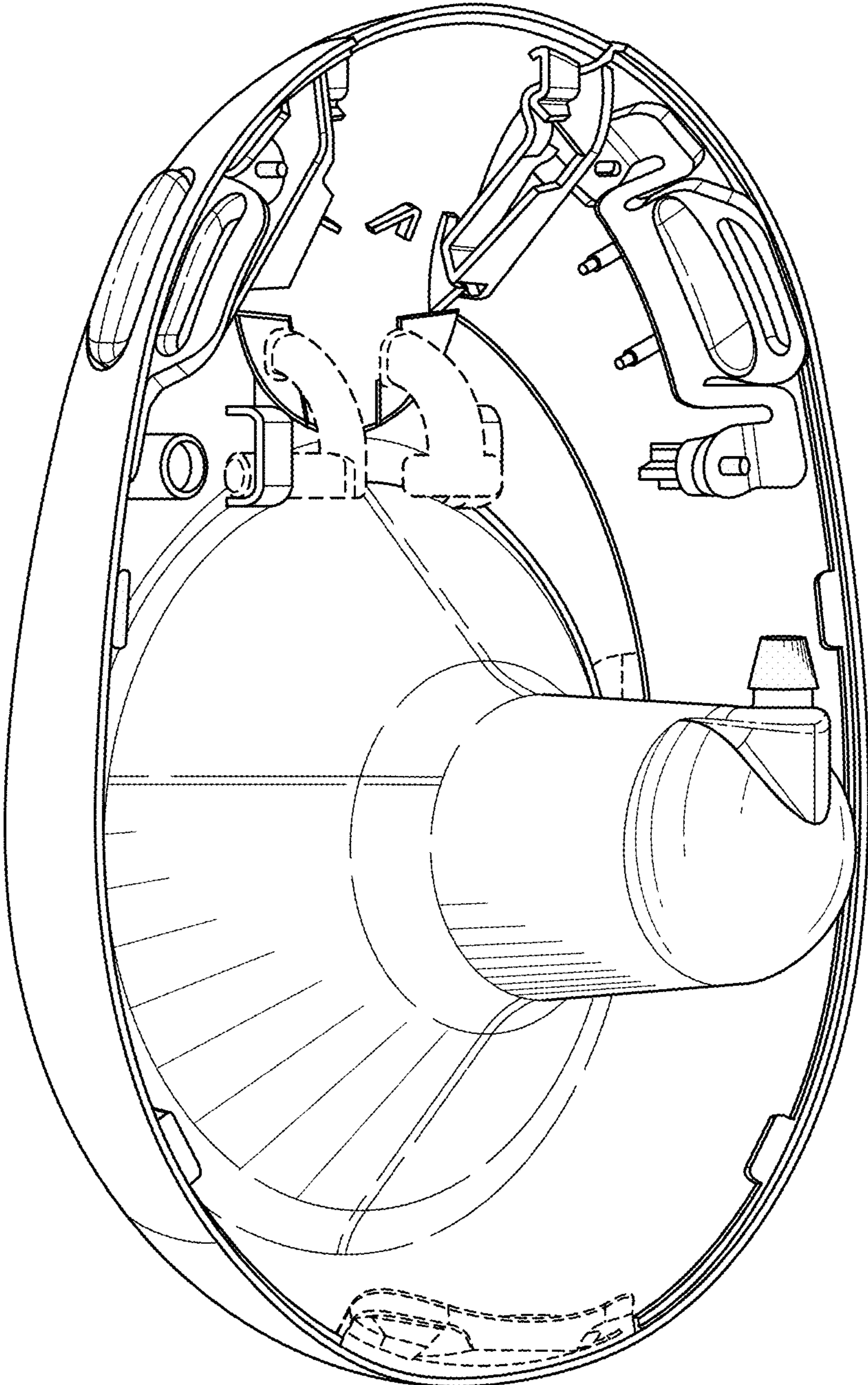


FIG. 8