



US00D828540S

(12) **United States Design Patent** (10) **Patent No.:** **US D828,540 S**
Badarello (45) **Date of Patent:** **** Sep. 11, 2018**

(54) **CEILING FAN BLADE IRON**

- (71) Applicant: **HUNTER FAN COMPANY**,
Memphis, TN (US)
- (72) Inventor: **Christophe Badarello**, Holly Springs,
MS (US)
- (73) Assignee: **Hunter Fan Company**, Memphis, TN
(US)
- (**) Term: **15 Years**
- (21) Appl. No.: **29/622,862**
- (22) Filed: **Oct. 20, 2017**

Related U.S. Application Data

- (62) Division of application No. 29/557,290, filed on Mar.
8, 2016, now Pat. No. Des. 807,489.
- (51) **LOC (11) Cl.** **23-03**
- (52) **U.S. Cl.**
USPC **D23/411**
- (58) **Field of Classification Search**
USPC D23/332, 370–385, 411–414, 499
CPC F04D 25/088; F04D 29/38; F04D 29/34
See application file for complete search history.

(56) **References Cited**

U.S. PATENT DOCUMENTS

D378,312 S *	3/1997	Davis, Jr.	D23/377
D412,571 S	8/1999	Lee	
5,971,573 A	10/1999	Bucher et al.	
D418,217 S	12/1999	LaSpina et al.	
D423,092 S	4/2000	LaSpina et al.	
D424,685 S *	5/2000	Chen	D23/377
D452,306 S *	12/2001	Jaspers-Fayer	D23/411
D483,105 S	12/2003	Hsieh	
D483,472 S *	12/2003	Hsieh	D23/411
D483,849 S	12/2003	Tai	
D485,344 S	1/2004	Tai	
D504,505 S *	4/2005	Burns	D23/411

(Continued)

OTHER PUBLICATIONS

<http://www.menards.com/main/lighting-ceiling-fans/ceiling-fans/shop-all-ceiling-fans/turn-of-the-century-reg-viente-52-in-oil-rubbed-bronze-ceiling-fan/p-1444444165998-c-7237.htm?tid=-8409431763889169858>, Item Specification for Turn of the Century Viente 52 in. Oil Rubbed Bronze Ceiling Fan at menards.com, Model #63655, accessed Mar. 8, 2016.

(Continued)

Primary Examiner — Cathron C Brooks

Assistant Examiner — Sharon S Oum

(74) *Attorney, Agent, or Firm* — McGarry Bair PC

(57) **CLAIM**

The ornamental design for a ceiling fan blade iron, as shown and described.

DESCRIPTION

FIG. 1 is a bottom perspective view of a ceiling fan blade iron showing my new design, with the ceiling fan shown in broken lines;

FIG. 2 is a top perspective view of the ceiling fan blade iron of FIG. 1, but shown in a detached position;

FIG. 3 is a top view of the ceiling fan blade iron of FIG. 2;

FIG. 4 is a bottom view of the ceiling fan blade iron of FIG. 2;

FIG. 5 is a left side view of the ceiling fan blade iron of FIG. 2;

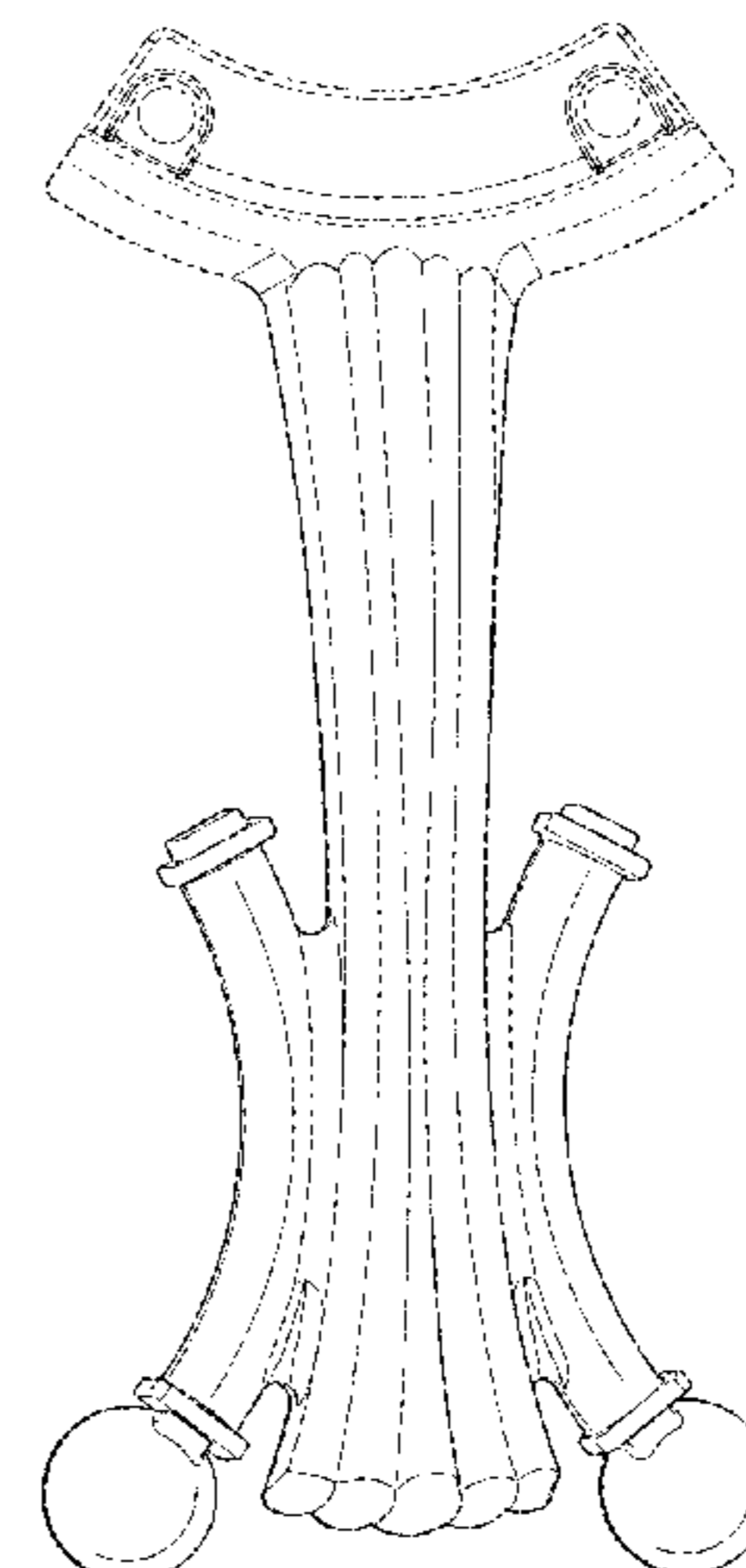
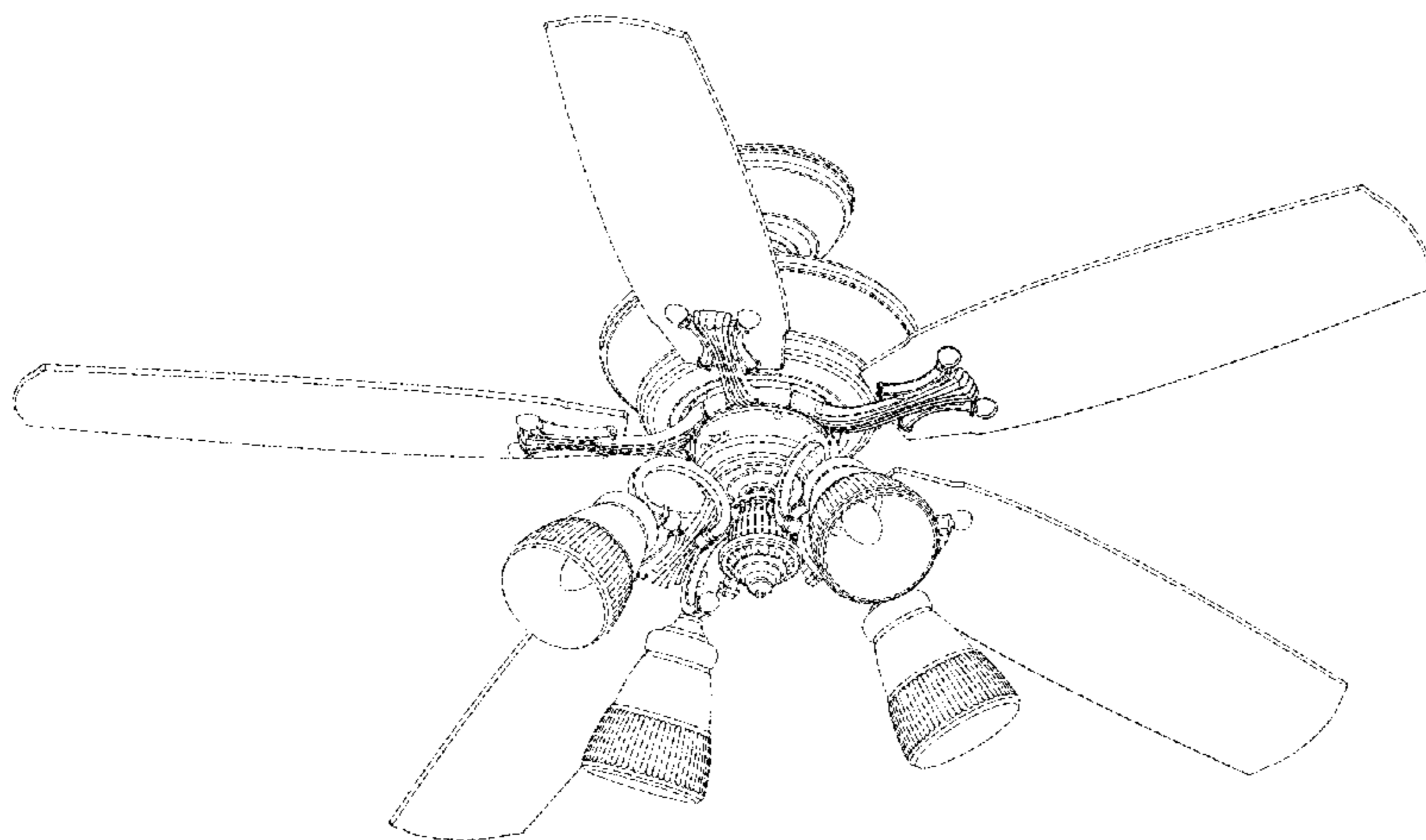
FIG. 6 is a right side view of the ceiling fan blade iron of FIG. 2;

FIG. 7 is a rear side view of the ceiling fan blade iron of FIG. 2; and,

FIG. 8 is a front side view of the ceiling fan blade iron of FIG. 2.

The broken lines illustrate a ceiling fan, and portions of the ceiling fan blade iron. None of the broken lines form part of the claimed design.

1 Claim, 5 Drawing Sheets



(56)

References Cited

U.S. PATENT DOCUMENTS

D525,700	S	7/2006	Ertze	
D532,106	S *	11/2006	Curtin	D23/413
D568,983	S	5/2008	Pan	
D573,243	S *	7/2008	Pan	D23/377
D579,097	S	10/2008	Hidalgo	
D620,580	S *	7/2010	Chen	D23/377
D670,801	S	11/2012	Searle	
D714,925	S	10/2014	Pan	
D807,489	S *	1/2018	Holmes	D23/377
2004/0022636	A1	2/2004	Bilskie	
2005/0058503	A1 *	3/2005	Li	F04D 25/088 403/349
2014/0268803	A1	9/2014	Keng	

OTHER PUBLICATIONS

<http://www.homedepot.com/p/Hampton-Bay-Ponte-Vecchio-54-in-Natural-Iron-Ceiling-Fan-AC434-NI/100349930>, Item Specification for Hampton Bay Pante Vecchio 54 in. Natural Iron Ceiling Fan at homedepot.com, Model #AC434-NI, Internet #100349930, accessed Mar. 8, 2016.

<http://www.casablancafanco.com/Ceiling-Fans/Crestmont?ModelNumber=55065>, Item Specification for Crestmont 54", 60" Ceiling Fan at casablancafanco.com, Model 55065, accessed Mar. 8, 2016.

<http://www.hunterfan.com/Ceiling-Fans/Rockledge?ModelNumber=54156>, Item Specification for Rockledge-60" Ceiling Fan 54156 at hunterfan.com, accessed Mar. 8, 2016.

<http://www.hunterfan.com/Ceiling-Fans/Willowcrest?ModelNumber=54016>, Item Specification for Willowcrest-54" Ceiling Fan 54016 at hunterfan.com, accessed Mar. 8, 2016.

<http://www.homedepot.com/p/Hampton-Bay-Eastvale-52-in-Berre-Walnut-Ceiling-Fan-14413/203697288>, Item Specification for Hampton Bay Eastvale 52 in. Berre Walnut Ceiling Fan at homedepot.com, Model #14413, Internet #203697288, Store SKU #182596, accessed Mar. 8, 2016.

http://www.cens.com/cens/html/en/product/product_main_77129.html, Item Specification for Aquarius-champagne light series fan at cens.com, Model AC413, Air Cool Industrial Co., Ltd., accessed Mar. 8, 2016.

<http://www.menards.com/main/lighting-ceiling-fans/ceiling-fans/shop-all-ceiling-fans/turn-of-the-century-belle-52in-oil-shale-ceiling-fan/p-1444438398653-c-7488.htm?tid=-9002154079594054844>, Item Specification for Turn of the Century Belle 52in. Oil Shale Ceiling Fan at mendards.com, Model No. fn7543ol, accessed Mar. 8, 2016.

<http://www.craftmade.com/Craftmade-K10767-Peruvian-Bronze-Ceiling-Fan.HTM>, Item Specification for Craftmade-K10767-Toscana Ceiling Fan Kit in Peruvian Bronze with 56" Custom Blade in Chamberla at craftmade.com, accessed Mar. 8, 2016.

<http://www.kingoffans.com/#/products/ceilingFans>, Item Specification for Cameron II Ceiling Fan at kingoffans.com, SKU#623-122, Model #37257, accessed Mar. 8, 2016.

<http://www.craftmade.com/Craftmade-AM54PR-Peruvian-Bronze-Ceiling-Fan.HTM>, Item Specification for Craftmade-AM54PR-Amphora 54" Ceiling Fan in Peruvian Bronze with Antique Scavo Glass at craftmade.com, accessed Mar. 3, 2016.

<http://www.kingoffans.com/#/products/ceilingFans>, Item Specification for North Lake Ceiling Fan at kingoffans.com, SKU#1000022302, Model #51418, accessed Mar. 8, 2016.

* cited by examiner

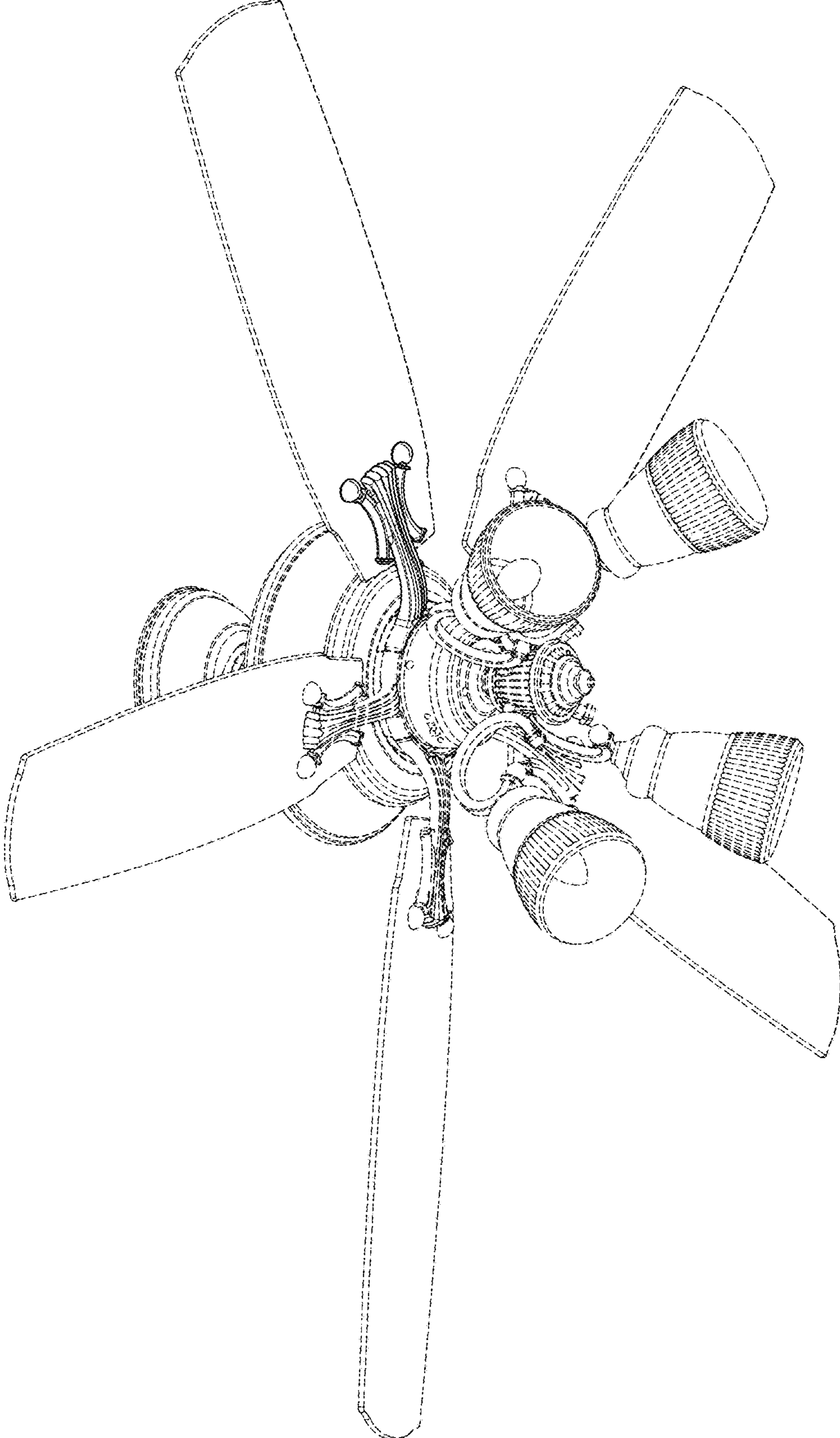


FIG. 1

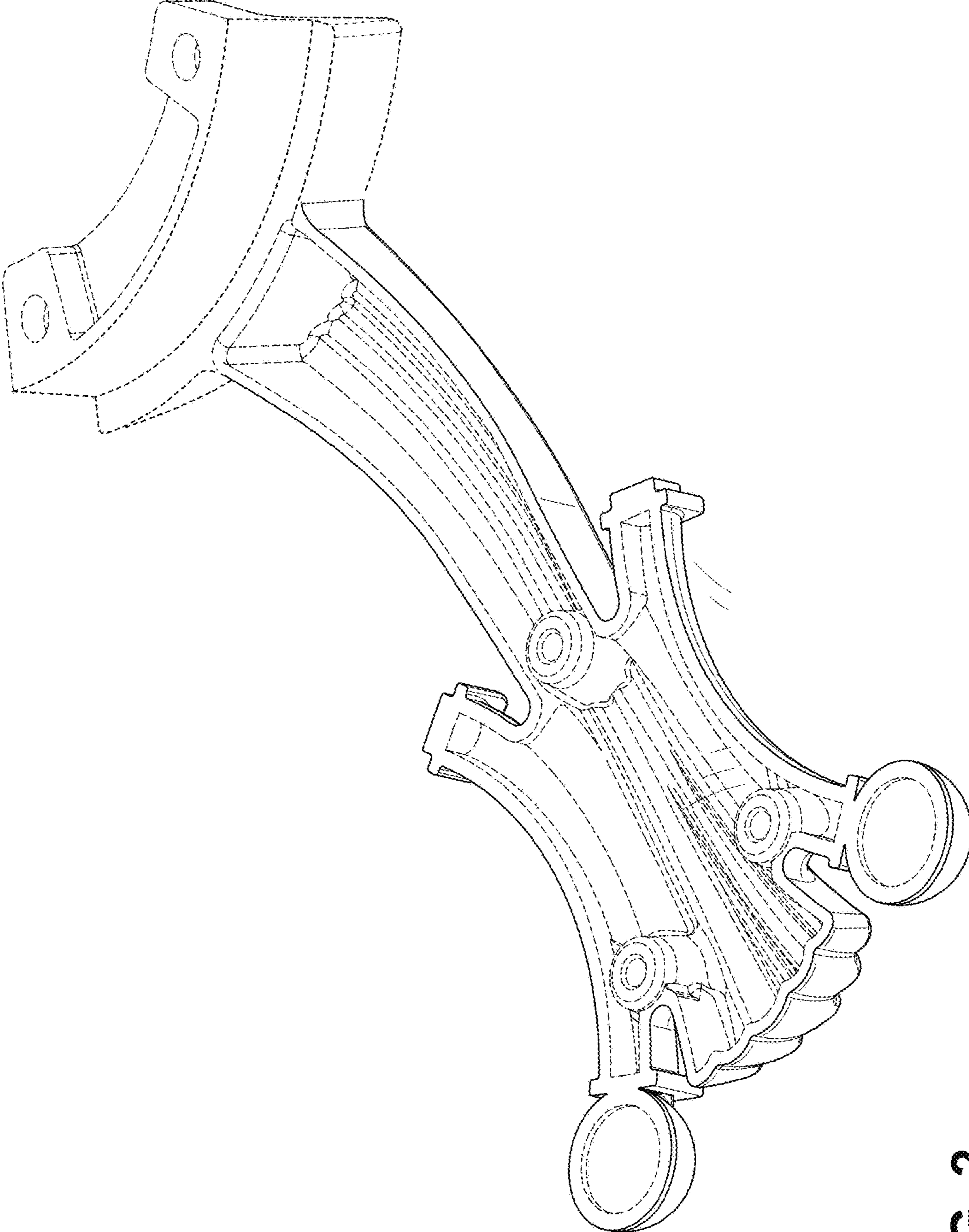


FIG. 2

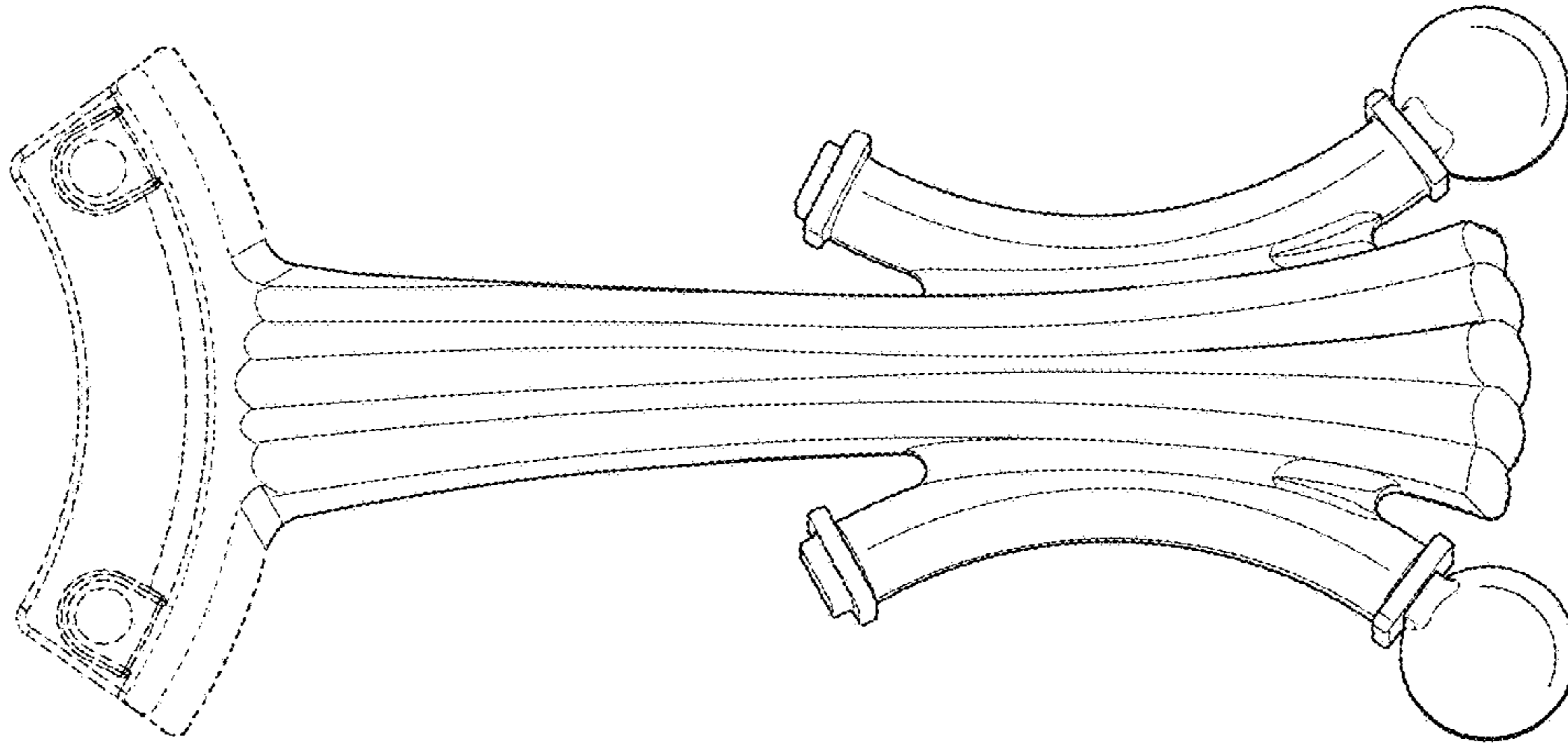


FIG. 4

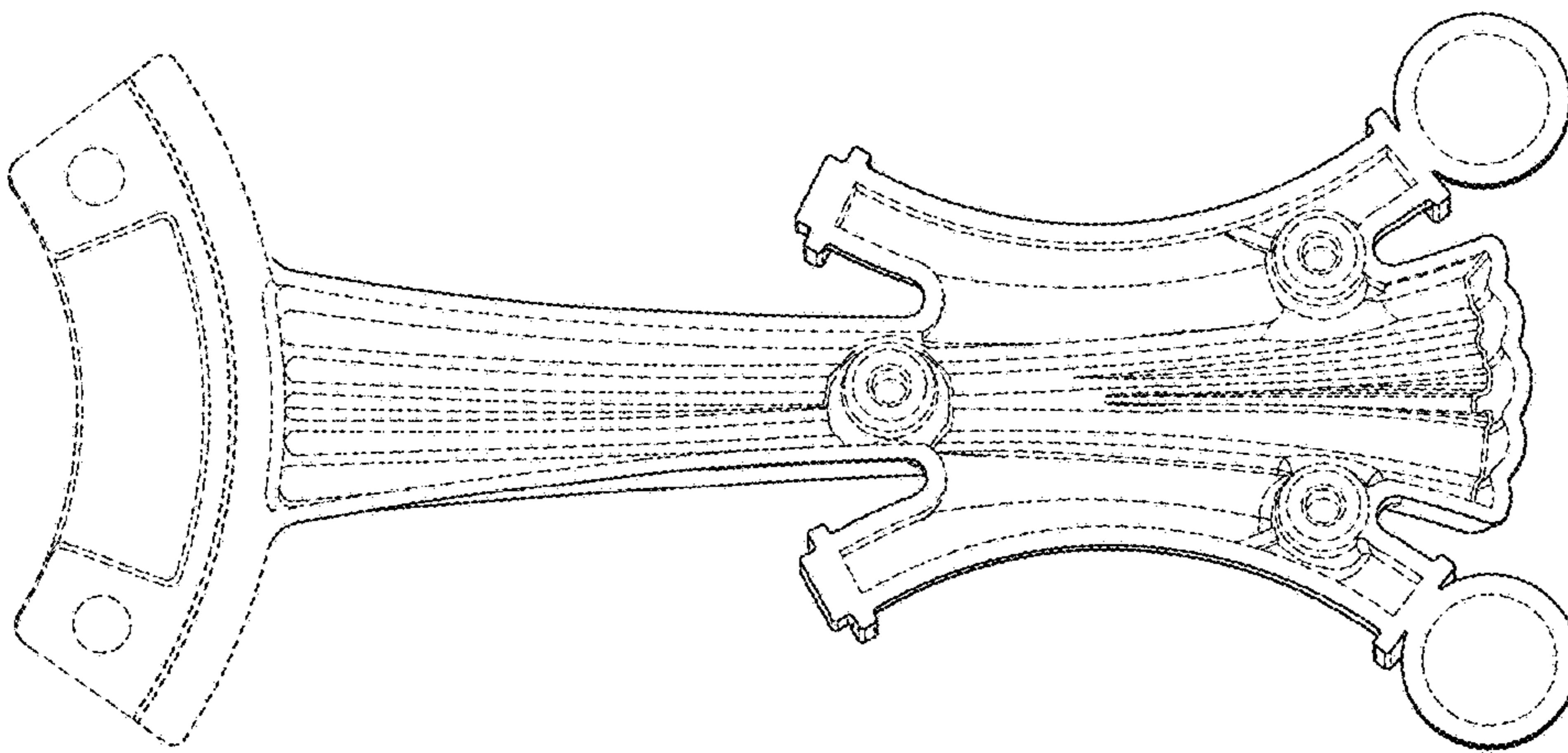


FIG. 3

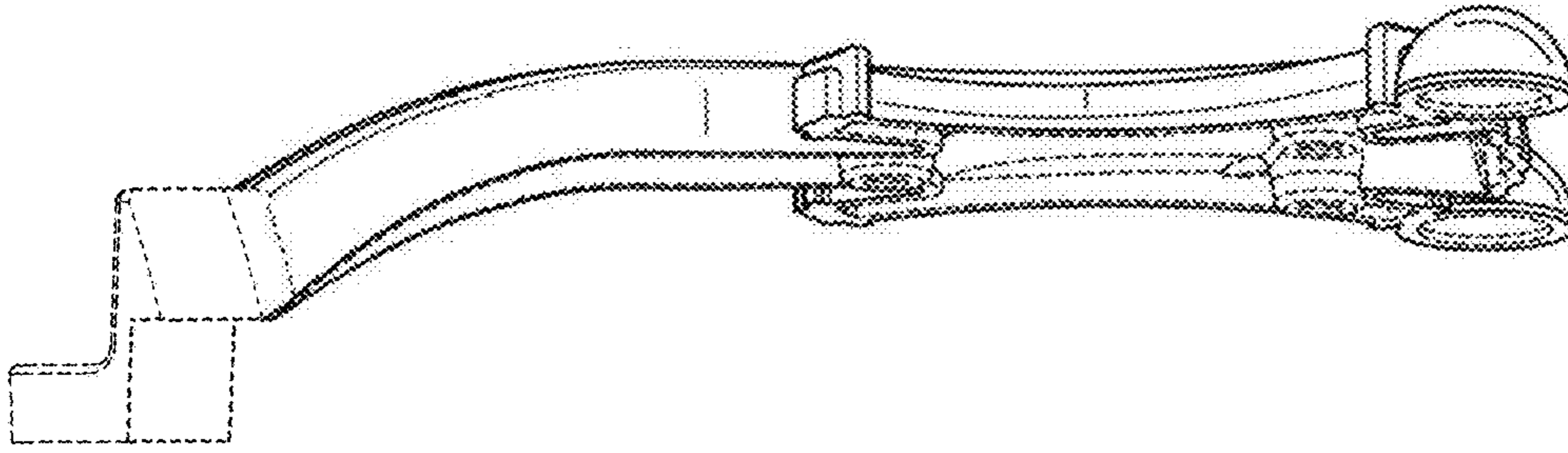


FIG. 5

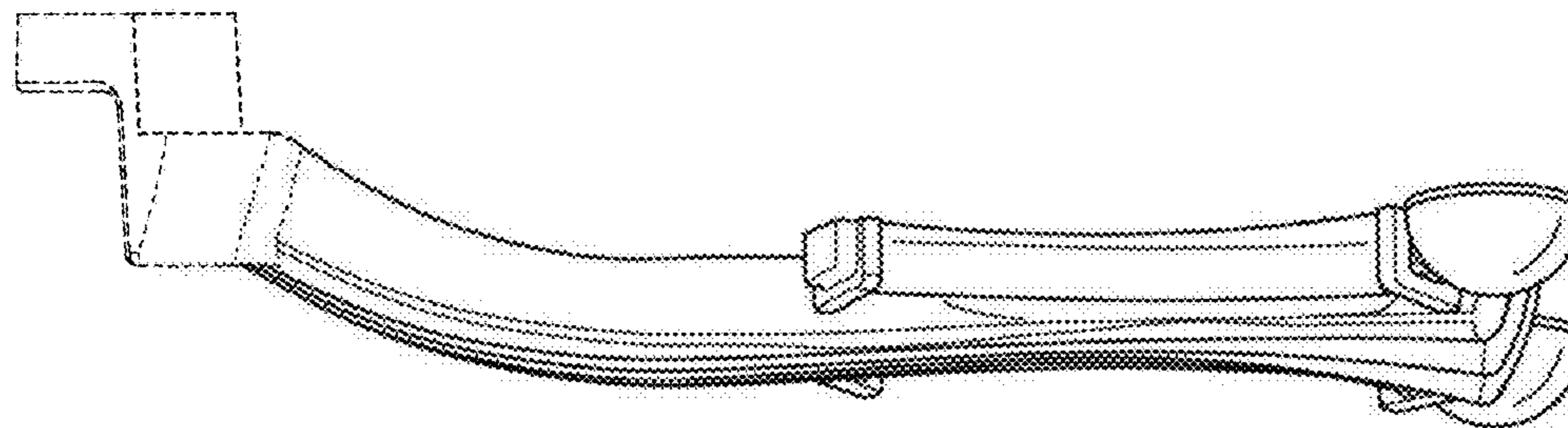


FIG. 6

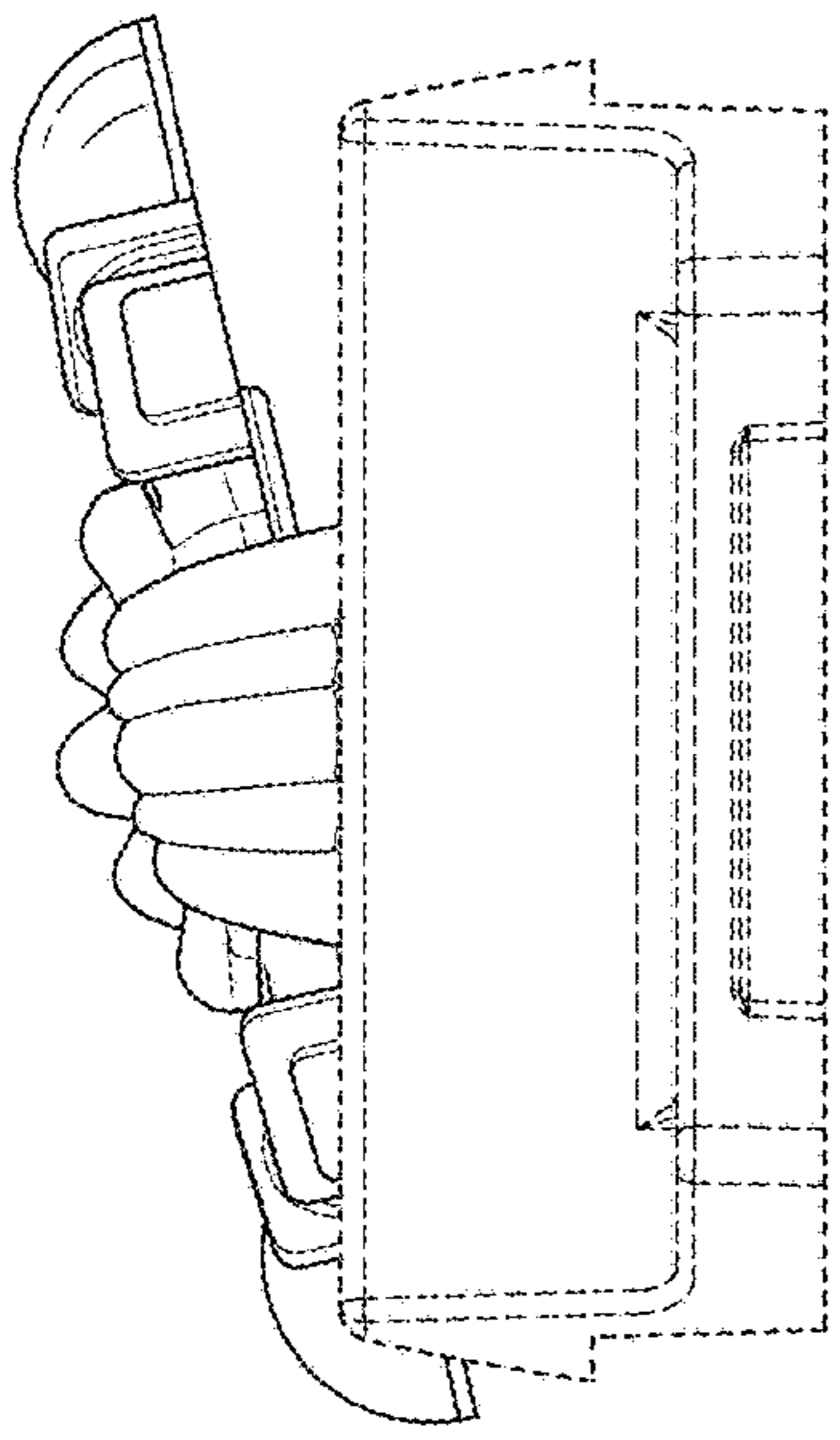


FIG. 7

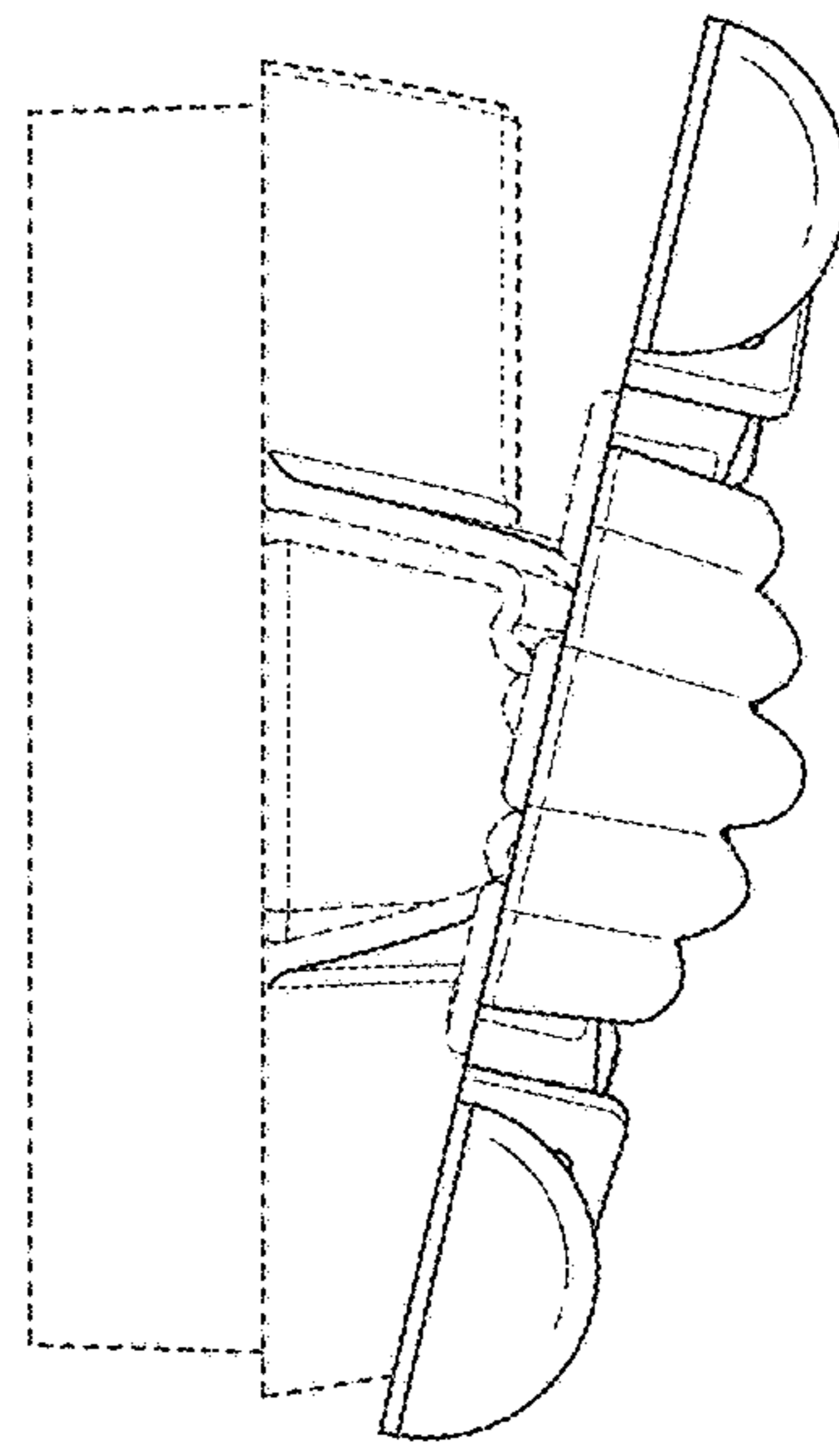


FIG. 8