



US00D828539S

(12) **United States Design Patent**
Chen et al.

(10) **Patent No.:** **US D828,539 S**
(45) **Date of Patent:** **** Sep. 11, 2018**

- (54) **FIREPLACE**
- (71) Applicant: **ZHONGSHAN CHANCES ELECTRICAL APPLIANCES CO., LTD.**, Zhongshan (CN)
- (72) Inventors: **Guang-Sen Chen**, Zhongshan (CN);
Chris Chan, Zhongshan (CN);
Pei-Quan Su, Zhongshan (CN);
Yun-Zhao Liu, Zhongshan (CN)
- (73) Assignee: **Zhongshan Chances Electrical Appliances Co., Ltd.**, Guangdong (CN)

1,756,511 A * 4/1930 Dowler F24B 1/182
126/528
2,515,576 A * 7/1950 Viggiano F24B 1/192
126/550
2,743,720 A * 5/1956 Dollinger F24B 1/1888
126/521
3,169,516 A * 2/1965 Agnese A47J 37/06
126/111
3,190,281 A * 6/1965 Northwood F23J 11/00
126/25 R
4,325,294 A * 4/1982 Hammond A47J 37/07
126/37 B

(Continued)

(**) Term: **15 Years**

(21) Appl. No.: **29/609,084**

(22) Filed: **Jun. 28, 2017**

(51) **LOC (11) Cl.** **23-03**

(52) **U.S. Cl.**
USPC **D23/404; D23/403**

(58) **Field of Classification Search**
USPC D23/395, 397, 398, 401, 402, 403, 404,
D23/405, 415, 499
CPC A23L 1/01; A47J 33/00; A47J 37/04; A47J
37/06; A47J 37/08; F23C 3/00; F23D
3/18; F23D 14/02; F24B 1/182; F24B
1/192; F24B 1/193; F24B 3/00; F24F
13/20; F24C 1/16; F24C 15/10; F24C
15/14; F26B 11/02; F26B 19/00
See application file for complete search history.

(56) **References Cited**

U.S. PATENT DOCUMENTS

1,411,609 A * 4/1922 Deaderick F24B 1/193
126/542
1,470,542 A * 10/1923 Poling F24B 1/182
126/549
1,683,420 A * 9/1928 Skube, Jr. F24B 1/192
126/298

OTHER PUBLICATIONS

Zhongshan Chances Electrical Model EF0 Series, image post date Oct. 27, 2014, site visited Jun. 16, 2018, (online), <http://www.chances-corp.com/eacp_view.asp?id=113>.*

(Continued)

Primary Examiner — Kevin K Rudzinski
Assistant Examiner — Sean D Lough
(74) *Attorney, Agent, or Firm* — Rosenberg, Klein & Lee

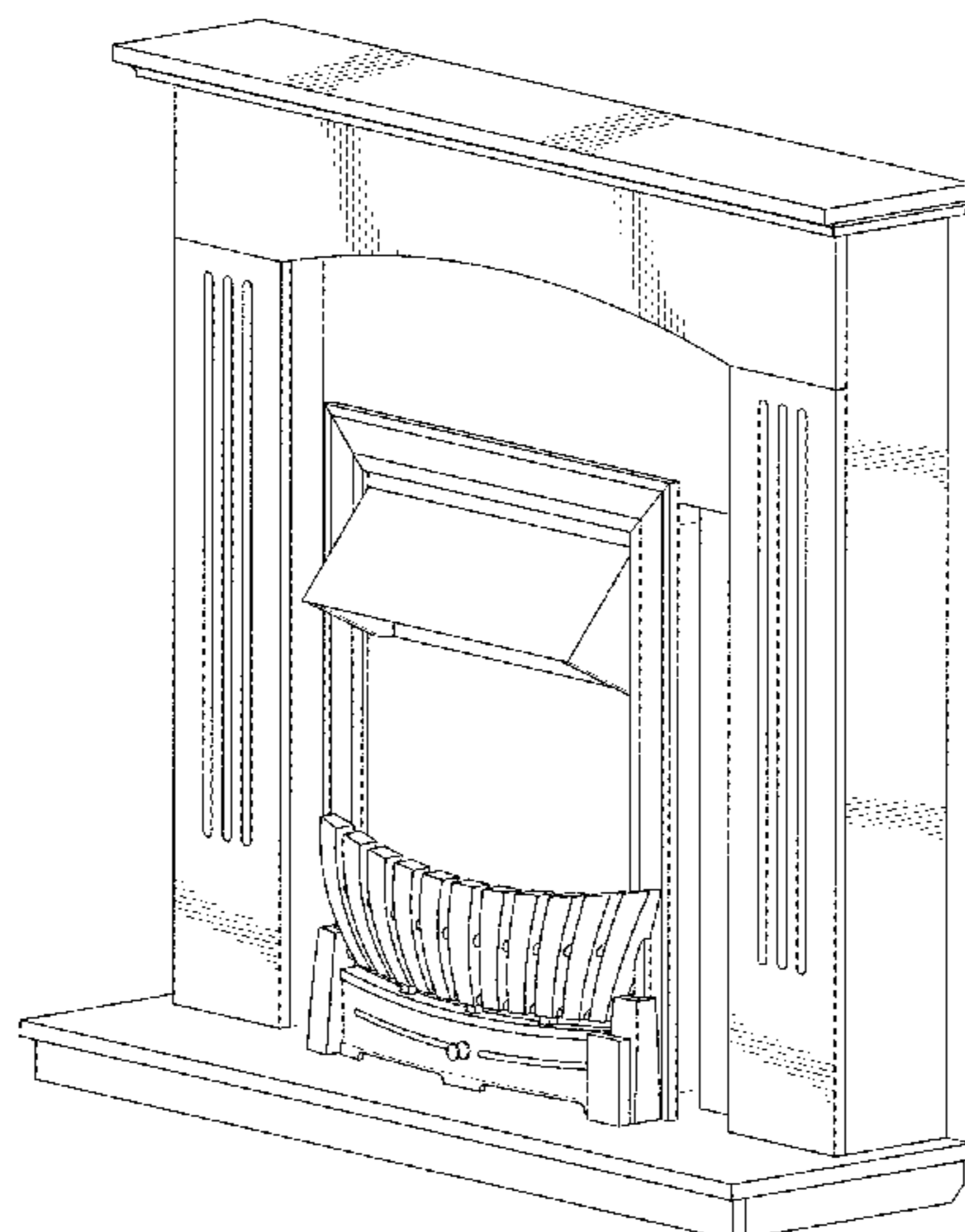
(57) **CLAIM**

The ornamental design for a fireplace, as shown and described.

DESCRIPTION

FIG. 1 is a perspective view of a fireplace showing our new design;
FIG. 2 is a front elevation view thereof;
FIG. 3 is a rear elevation view thereof;
FIG. 4 is a left side elevation view thereof;
FIG. 5 is a right side elevation view thereof;
FIG. 6 is a top plan view thereof; and,
FIG. 7 is a bottom plan view thereof.
The broken lines shown in the figures are included for illustrating portions of the fireplace that form no part of the claimed design.

1 Claim, 7 Drawing Sheets



(56)

References Cited

U.S. PATENT DOCUMENTS

4,437,450 A * 3/1984 Connelly A47J 37/0772
126/30
4,541,408 A * 9/1985 Ratelband F24B 1/1886
126/524
D283,343 S * 4/1986 Haythornthwaite D23/344
D300,779 S * 4/1989 Smith D23/404
4,884,556 A * 12/1989 Alden F24B 1/192
126/190
D305,930 S * 2/1990 MacAleese D23/404
5,036,830 A * 8/1991 Whiteley F24B 1/193
126/163 R
D328,341 S * 7/1992 Chiu D23/346
5,303,692 A * 4/1994 Shasad F24B 1/182
108/35
D348,726 S * 7/1994 Wilson D23/344
6,439,226 B1 * 8/2002 Johnson F24B 1/192
126/200
D464,421 S * 10/2002 Caldwell D23/404
6,637,713 B1 * 10/2003 Kleve F24B 1/193
126/152 B
D507,345 S * 7/2005 Rumens D23/404
D509,087 S * 9/2005 Rozenboom D23/404
D514,677 S * 2/2006 Jach D23/343
D529,599 S * 10/2006 Hills D23/404
D532,900 S * 11/2006 Hills D23/405
D574,474 S * 8/2008 Carroll D23/342
D574,939 S * 8/2008 Carroll D23/342
D643,524 S * 8/2011 Hadi D23/404
D648,431 S * 11/2011 Hadi D23/404

D650,060 S * 12/2011 Hadi D23/404
D650,061 S * 12/2011 Hadi D23/404
D653,739 S * 2/2012 Gibbs D23/314
D660,955 S * 5/2012 Hadi D23/404
D668,748 S * 10/2012 Asofsky D23/344
D688,365 S * 8/2013 Hadi D23/404
D691,251 S * 10/2013 Couture D23/342
D701,066 S * 3/2014 Rowland D6/675.1
8,776,779 B2 * 7/2014 Johnston F24B 1/193
126/540
D734,842 S * 7/2015 Goodson D23/332
D738,477 S * 9/2015 Nemes D23/344
D767,752 S * 9/2016 Davis D23/403
9,435,542 B1 * 9/2016 Goodson F24B 1/189
D804,625 S * 12/2017 Baker D23/344
D817,666 S * 5/2018 Davis D6/661
2011/0220090 A1 * 9/2011 Atemboski F24B 1/006
126/500

OTHER PUBLICATIONS

Zhongshan Chances Electrical Model EFS Series, image post date Oct. 27, 2014, site visited Jun. 16, 2018, (online), <http://www.chances-corp.com/eacp_view.asp?id=71>.*
Zhongshan Chances Electrical Model EHS Series, image post date Oct. 27, 2014, site visited Jun. 16, 2018, (online), <http://www.chances-corp.com/eacp_view.asp?id=83>.*
Zhongshan Chances Electrical Model SUR Series, image post date Oct. 27, 2014, site visited Jun. 16, 2018, (online), <http://www.chances-corp.com/eacp_view.asp?id=104>.*

* cited by examiner

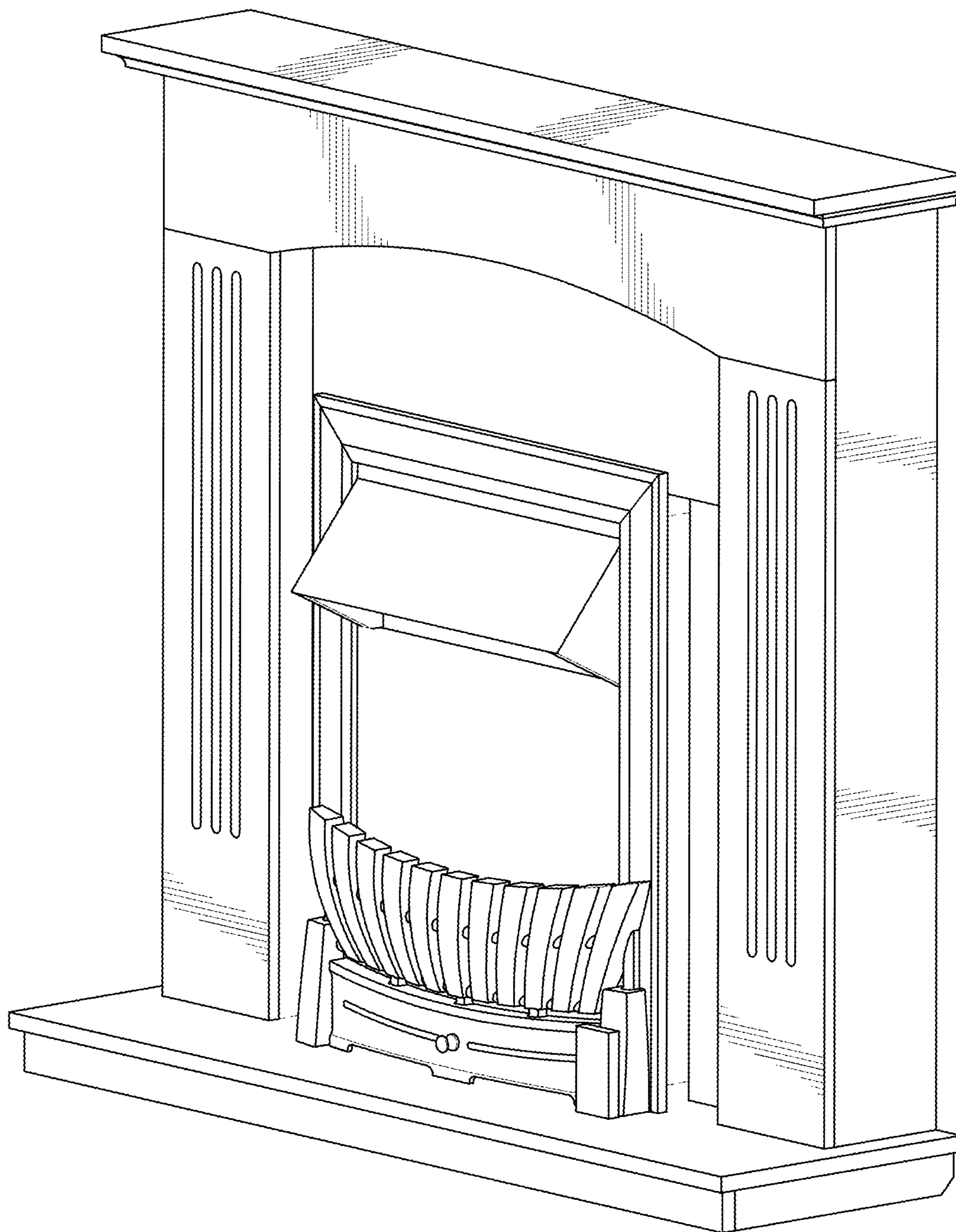


FIG. 1

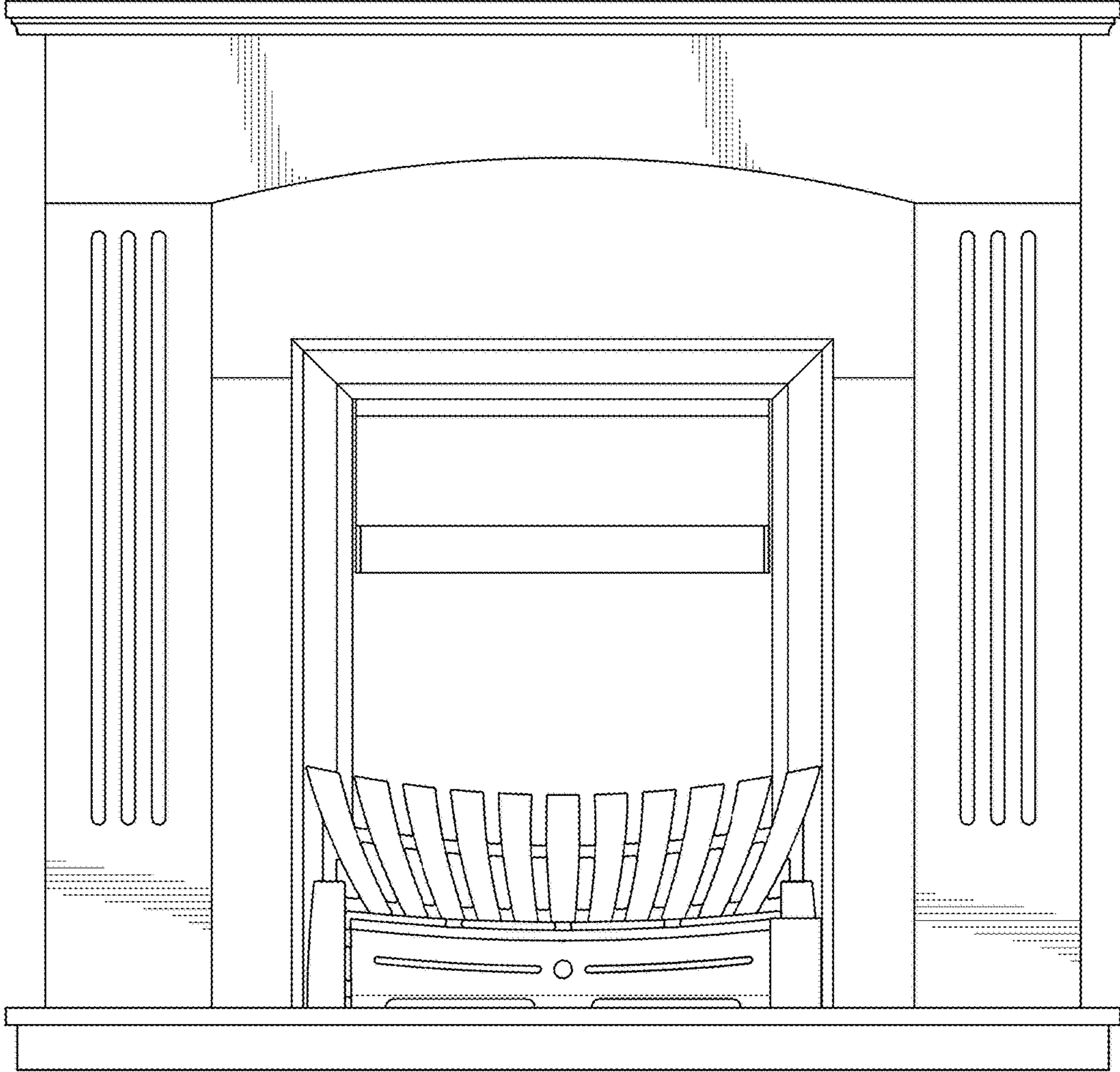


FIG. 2

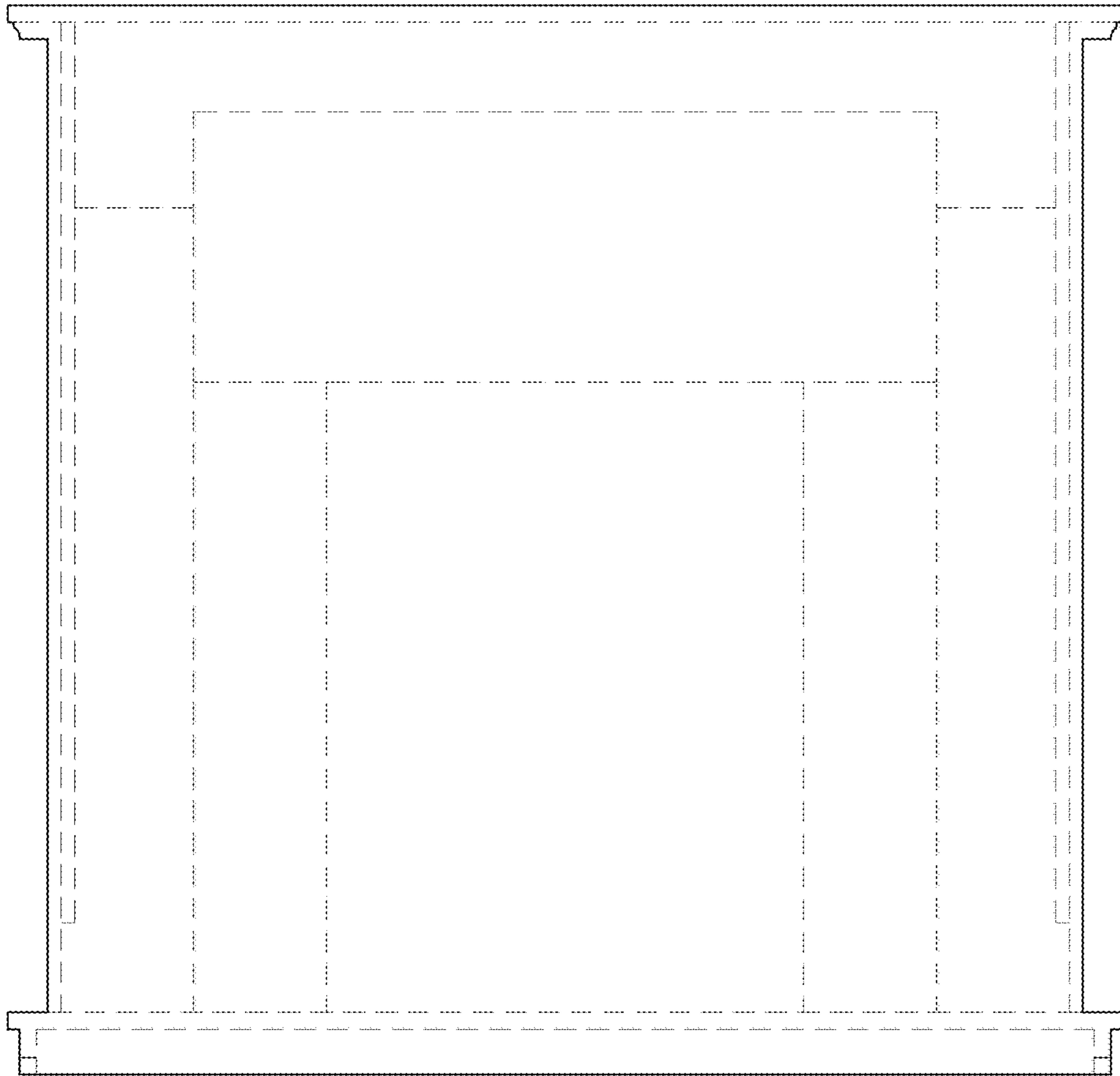


FIG. 3

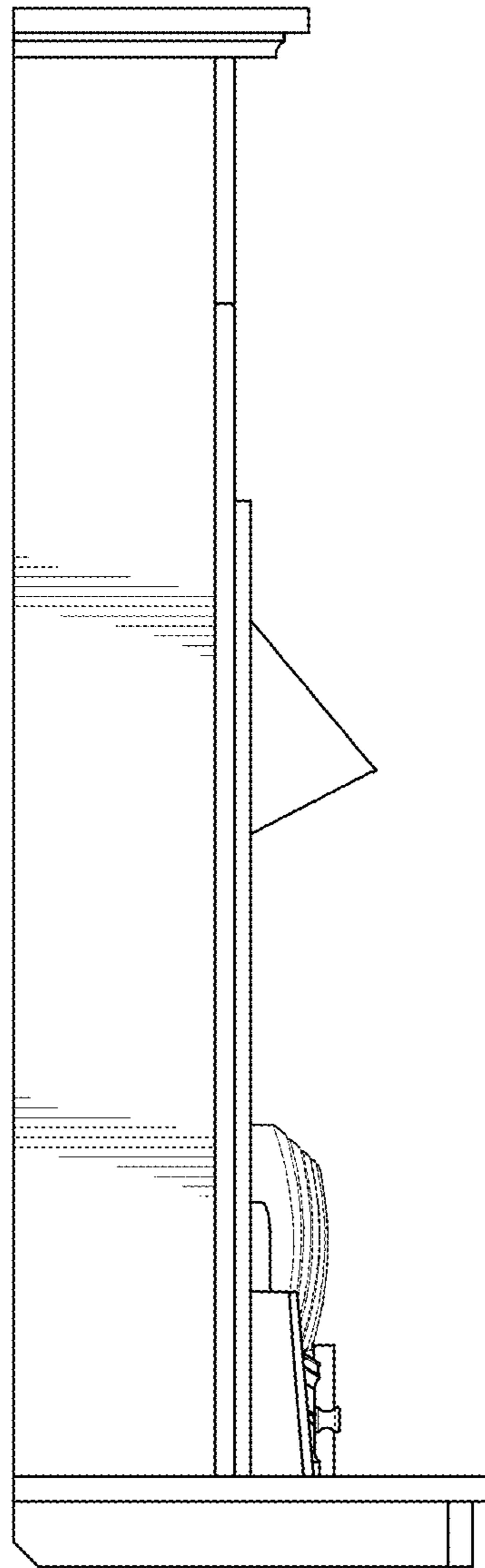


FIG. 4

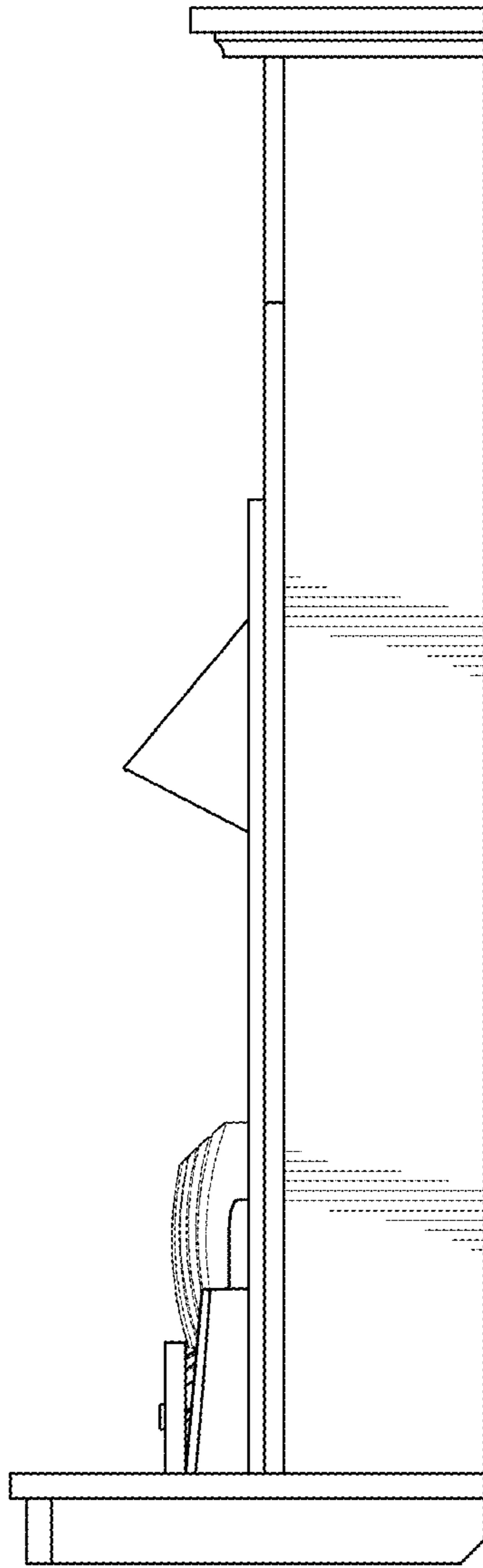


FIG. 5

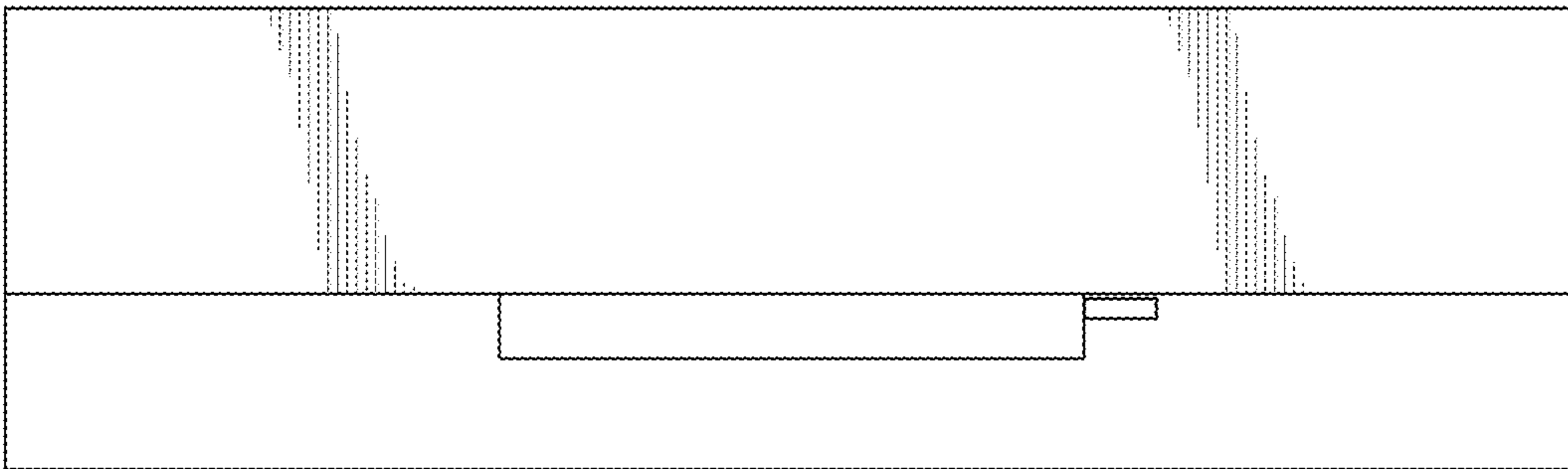


FIG. 6

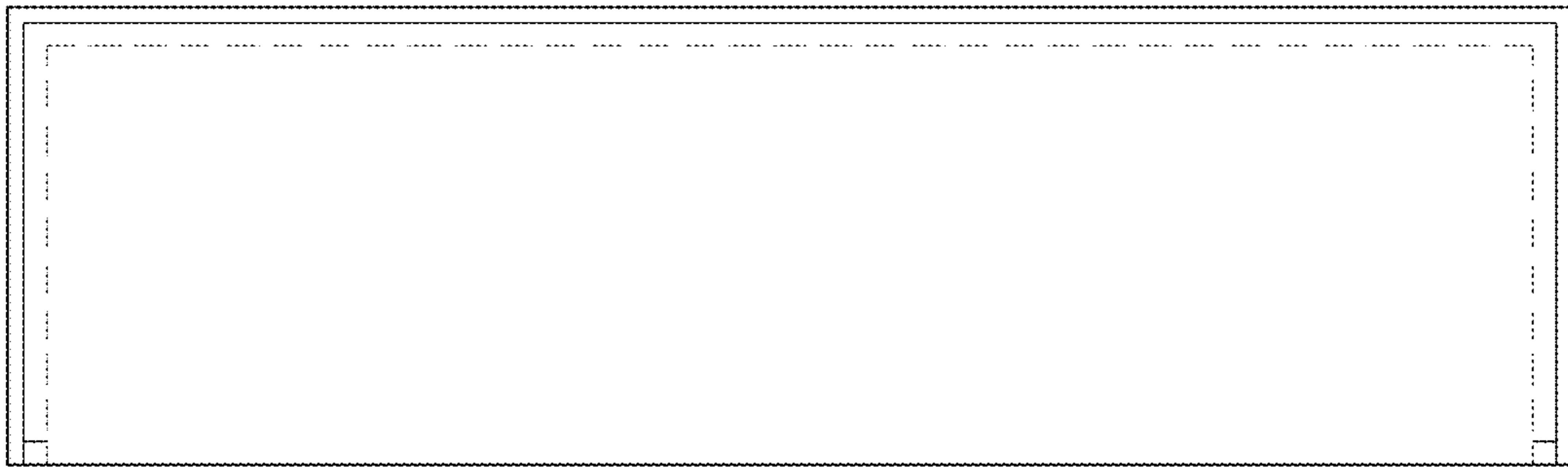


FIG. 7