



US00D828538S

(12) **United States Design Patent** (10) **Patent No.:** **US D828,538 S**
Chen et al. (45) **Date of Patent:** **** Sep. 11, 2018**

(54) **FIREPLACE**
(71) Applicant: **ZHONGSHAN CHANCES ELECTRICAL APPLIANCES CO., LTD.**, Zhongshan (CN)
(72) Inventors: **Guang-Sen Chen**, Zhongshan (CN); **Chris Chan**, Zhongshan (CN); **Pei-Quan Su**, Zhongshan (CN); **Yun-Zhao Liu**, Zhongshan (CN)

D147,366 S * 8/1947 Grobkniklause D23/404
2,515,576 A * 7/1950 Viggiano F24B 1/192
126/550
3,169,516 A * 2/1965 Agnese A47J 37/06
126/111
3,190,281 A * 6/1965 Northwood F23J 11/00
126/25 R
4,325,294 A * 4/1982 Hammond A47J 37/07
126/37 B
4,437,450 A * 3/1984 Connelly A47J 37/0772
126/30

(Continued)

(73) Assignee: **Zhongshan Chances Electrical Appliances Co., Ltd.**, Guangdong (CN)

OTHER PUBLICATIONS

(**) Term: **15 Years**

Zhongshan Chances Electrical Model EF0 Series, image post date Oct. 27, 2014, site visited Jun. 16, 2018, (online), <http://www.chances-corp.com/eacp_view.asp?id=113>.*

(21) Appl. No.: **29/609,082**

(Continued)

(22) Filed: **Jun. 28, 2017**

(51) **LOC (11) Cl.** **23-03**

Primary Examiner — Kevin K Rudzinski

(52) **U.S. Cl.**

Assistant Examiner — Sean D Lough

USPC **D23/404**; D23/403

(74) *Attorney, Agent, or Firm* — Rosenberg, Klein & Lee

(58) **Field of Classification Search**

(57) **CLAIM**

USPC D23/395, 397, 398, 401, 402, 403, 404, D23/405, 415, 499

The ornamental design for a fireplace, as shown and described.

CPC A23L 1/01; A47J 33/00; A47J 37/04; A47J 37/06; A47J 37/08; F23C 3/00; F23D 3/18; F23D 14/02; F24B 1/182; F24B 1/192; F24B 1/193; F24B 3/00; F24F 13/20; F24C 1/16; F24C 15/10; F24C 15/14; F26B 11/02; F26B 19/00
See application file for complete search history.

DESCRIPTION

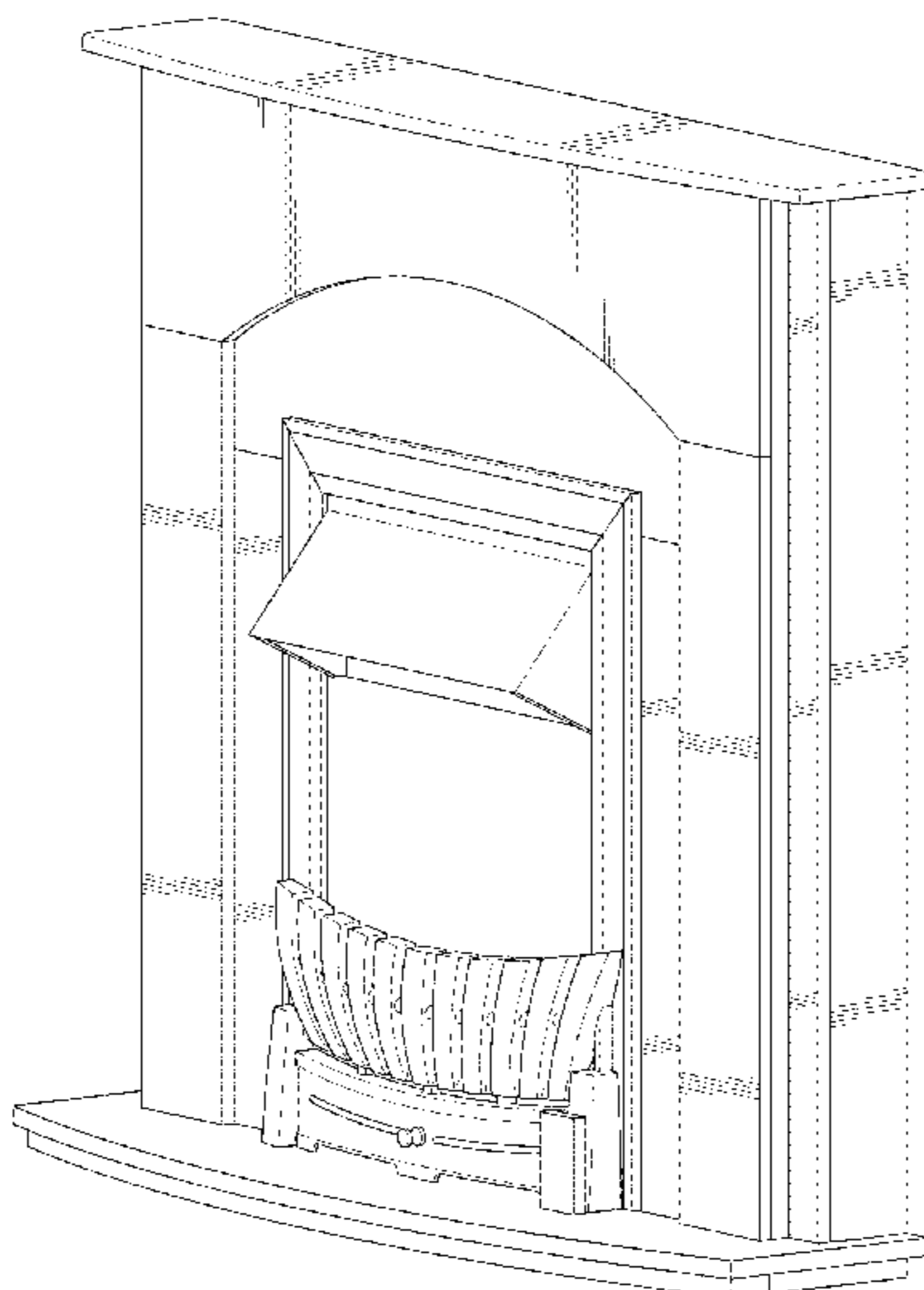
(56) **References Cited**

U.S. PATENT DOCUMENTS

1,683,420 A * 9/1928 Skube, Jr. F24B 1/192
126/298
1,756,511 A * 4/1930 Dowler F24B 1/182
126/528
1,776,833 A * 9/1930 Huckler F24B 1/192
160/184

FIG. 1 is a perspective view of a fireplace showing our new design;
FIG. 2 is a front elevational view thereof;
FIG. 3 is a rear elevational view thereof;
FIG. 4 is a left side elevational view thereof;
FIG. 5 is a right side elevational view thereof;
FIG. 6 is a top plan view thereof; and,
FIG. 7 is a bottom plan view thereof.
The broken lines shown in the figures are included for illustrating portions of the fireplace that form no part of the claimed design.

1 Claim, 7 Drawing Sheets



(56)

References Cited

U.S. PATENT DOCUMENTS

4,541,408 A * 9/1985 Ratelband F24B 1/1886
 126/524
 4,616,628 A * 10/1986 Ratelband F24B 1/1886
 126/524
 4,884,556 A * 12/1989 Alden F24B 1/192
 126/190
 5,303,692 A * 4/1994 Shasad F24B 1/182
 108/35
 6,637,713 B1 * 10/2003 Kleve F24B 1/193
 126/152 B
 D507,345 S * 7/2005 Rumens D23/404
 D514,677 S * 2/2006 Jach D23/343
 D516,701 S * 3/2006 Rumens D23/404
 D529,599 S * 10/2006 Hills D23/404
 D531,719 S * 11/2006 Rumens D23/404
 D532,899 S * 11/2006 Hills D23/404
 D574,474 S * 8/2008 Carroll D23/342
 D574,939 S * 8/2008 Carroll D23/342
 D591,841 S * 5/2009 McQueen D23/343
 D625,397 S * 10/2010 Gallo D23/343
 D643,524 S * 8/2011 Hadi D23/404
 D647,609 S * 10/2011 Hadi D23/404
 D648,431 S * 11/2011 Hadi D23/404
 D650,060 S * 12/2011 Hadi D23/404
 D650,061 S * 12/2011 Hadi D23/404
 D660,955 S * 5/2012 Hadi D23/404
 D667,102 S * 9/2012 Hadi D23/404
 D668,748 S * 10/2012 Asofsky D23/344

D675,311 S * 1/2013 Hadi D23/404
 D688,365 S * 8/2013 Hadi D23/404
 D694,873 S * 12/2013 Nemes D23/405
 8,776,779 B2 * 7/2014 Johnston F24B 1/193
 126/540
 D717,417 S * 11/2014 Xiong D23/343
 D719,247 S * 12/2014 Tse D23/343
 D734,842 S * 7/2015 Goodson D23/332
 9,435,542 B1 * 9/2016 Goodson F24B 1/189
 D803,364 S * 11/2017 Lu D23/343
 2004/0200470 A1 * 10/2004 Rumens F24B 1/1806
 126/512
 2007/0047166 A1 * 3/2007 Creel F24B 1/192
 361/118
 2011/0186039 A1 * 8/2011 Chomiuk F24B 1/192
 126/512

OTHER PUBLICATIONS

Zhongshan Chances Electrical Model EFS Series, image post date Oct. 27, 2014, site visited Jun. 16, 2018, (online), <http://www.chances-corp.com/eacp_view.asp?id=71>.*
 Zhongshan Chances Electrical Model EHS Series, image post date Oct. 27, 2014, site visited Jun. 16, 2018, (online), <http://www.chances-corp.com/eacp_view.asp?id=83>.*
 Zhongshan Chances Electrical Model SUR Series, image post date Oct. 27, 2014, site visited Jun. 16, 2018, (online), <http://www.chances-corp.com/eacp_view.asp?id=104>.*

* cited by examiner

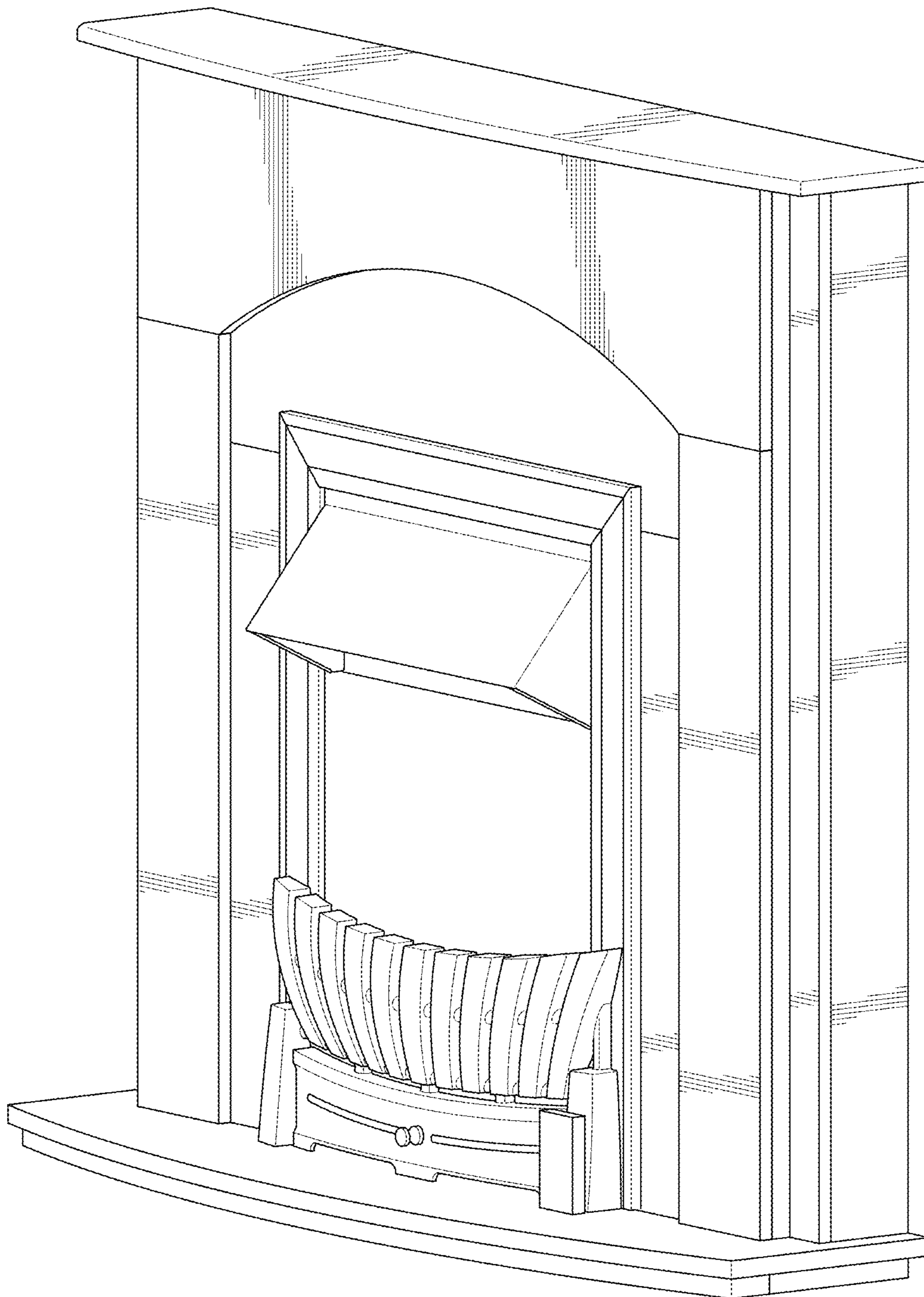


FIG. 1

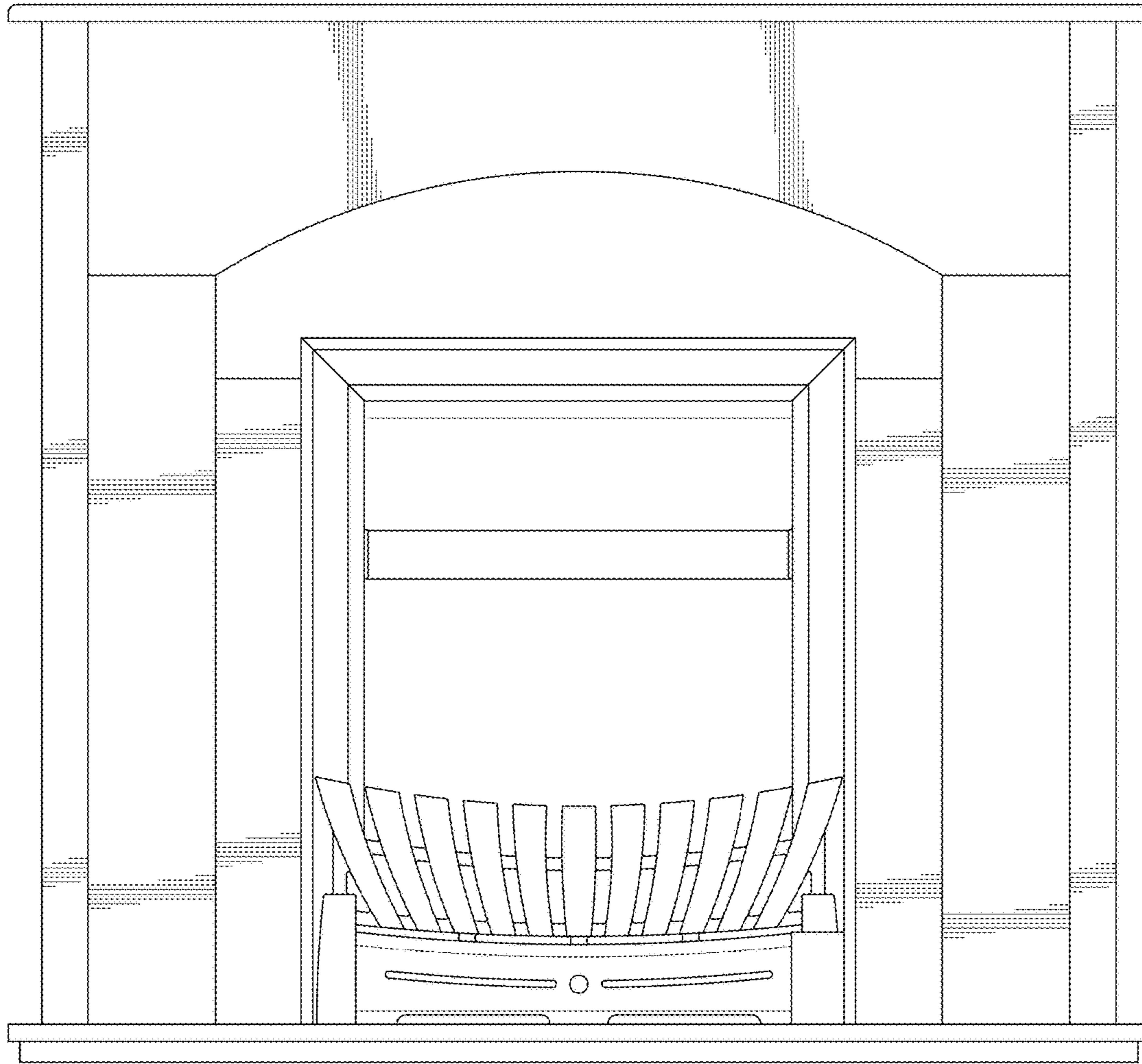


FIG. 2

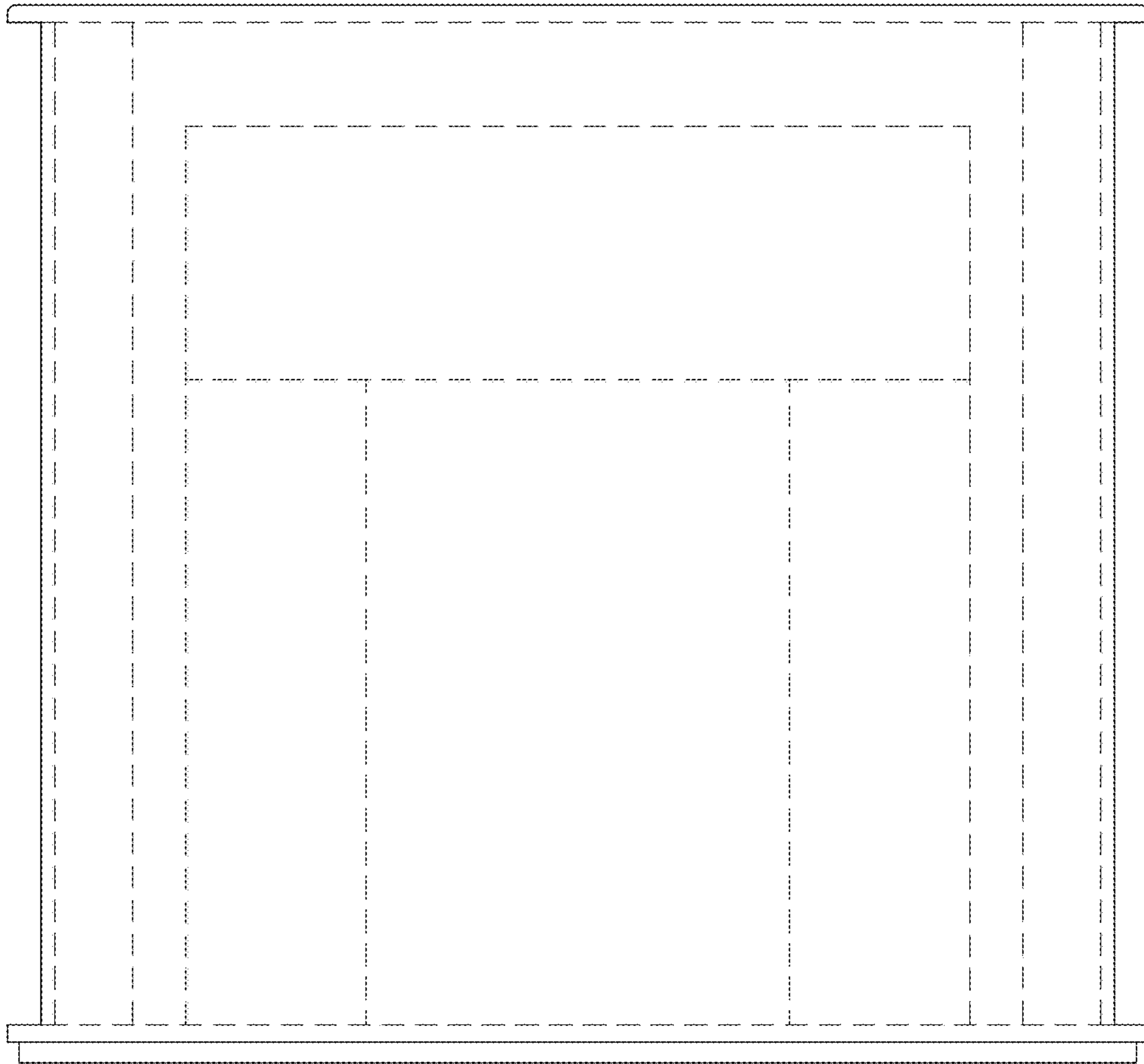


FIG. 3

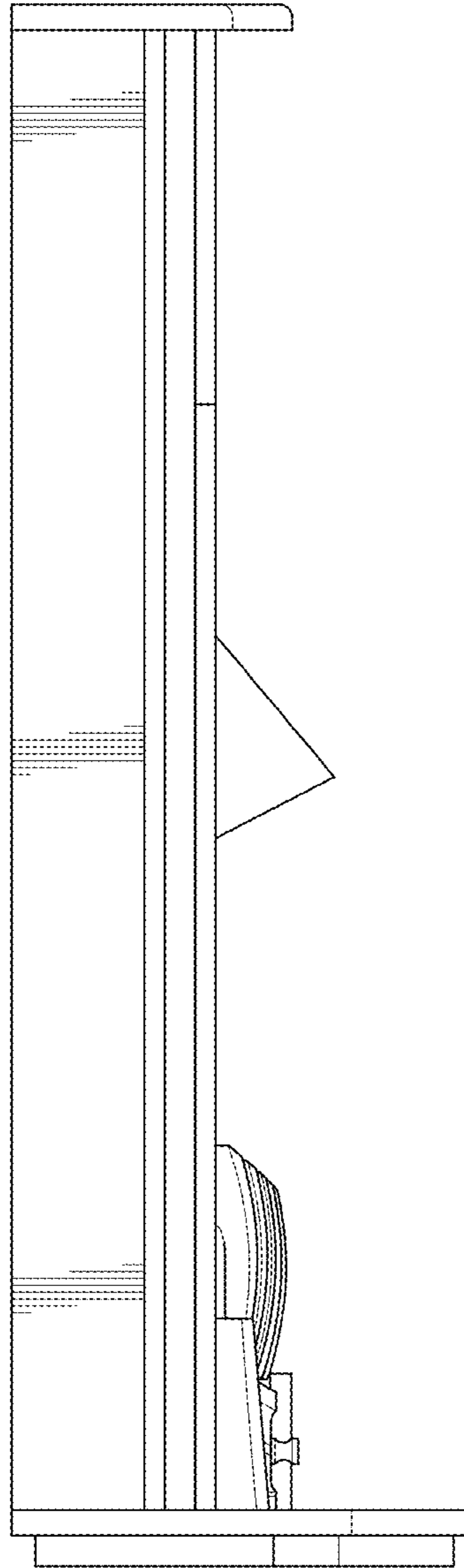


FIG. 4

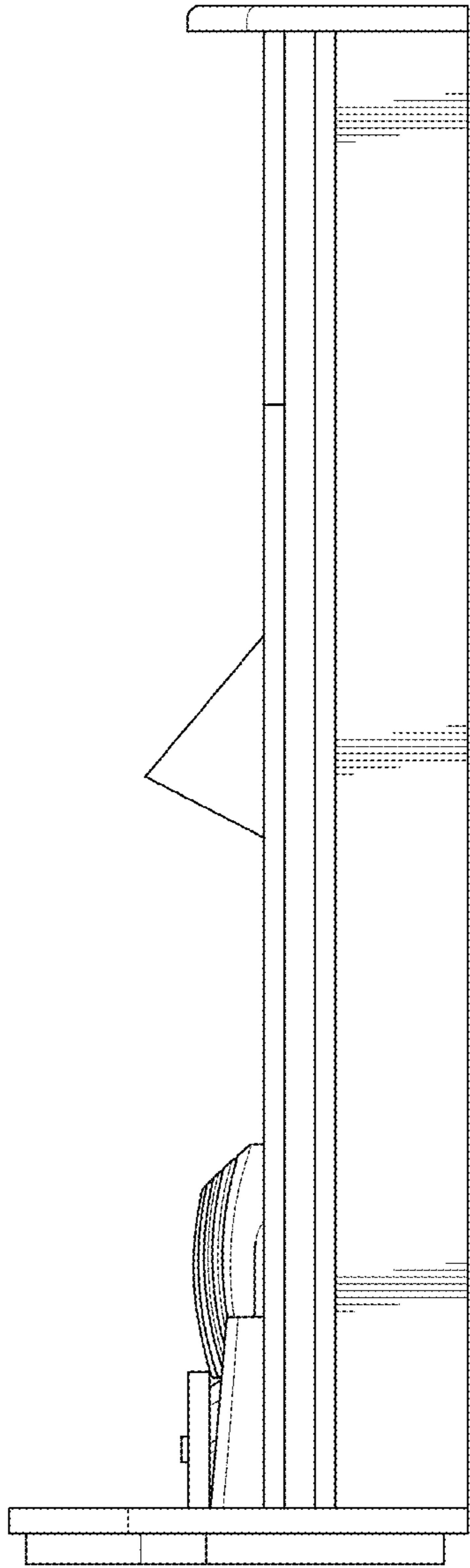


FIG. 5

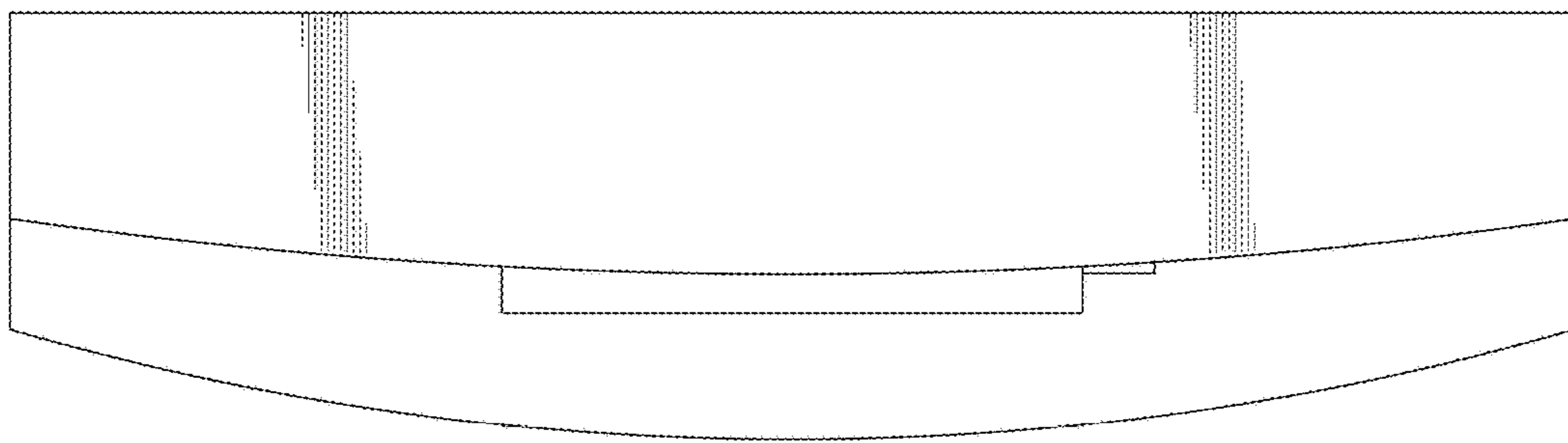


FIG. 6

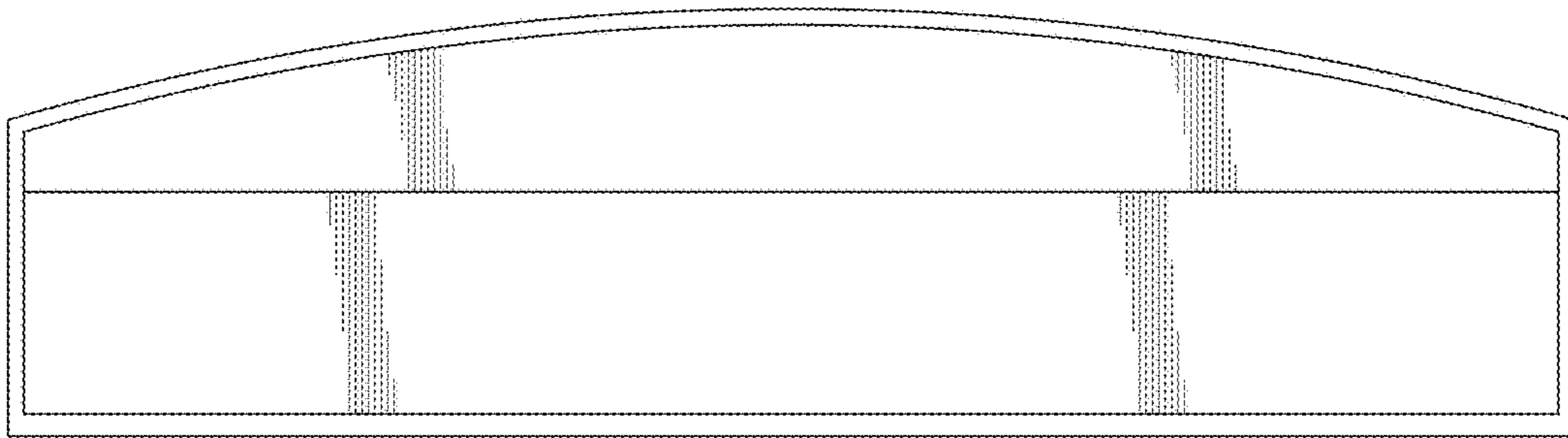


FIG. 7