



US00D828537S

(12) **United States Design Patent** (10) **Patent No.:** **US D828,537 S**  
**Chen et al.** (45) **Date of Patent:** **\*\* Sep. 11, 2018**

(54) **FIREPLACE** 2,515,576 A \* 7/1950 Viggiano ..... F24B 1/192  
126/550  
(71) Applicant: **ZHONGSHAN CHANCES** 3,169,516 A \* 2/1965 Agnese ..... A47J 37/06  
**ELECTRICAL APPLIANCES CO.,** 126/111  
**LTD.,** Zhongshan (CN) 3,190,281 A \* 6/1965 Northwood ..... F23J 11/00  
126/25 R  
(72) Inventors: **Guang-Sen Chen,** Zhongshan (CN); 4,325,294 A \* 4/1982 Hammond ..... A47J 37/07  
**Chris Chan,** Zhongshan (CN); 126/37 B  
**Pei-Quan Su,** Zhongshan (CN); 4,437,450 A \* 3/1984 Connelly ..... A47J 37/0772  
**Yun-Zhao Liu,** Zhongshan (CN) 126/30  
4,541,408 A \* 9/1985 Ratelband ..... F24B 1/1886  
126/524

(Continued)

(73) Assignee: **Zhongshan Chances Electrical Appliances Co., Ltd.,** Guangdong (CN)

(\*\*) Term: **15 Years**

(21) Appl. No.: **29/609,079**

(22) Filed: **Jun. 28, 2017**

(51) **LOC (11) Cl.** ..... **23-03**

(52) **U.S. Cl.**  
USPC ..... **D23/404; D23/403**

(58) **Field of Classification Search**  
USPC ..... D23/395, 397, 398, 401, 402, 403, 404,  
D23/405, 415, 499  
CPC .... A23L 1/01; A47J 33/00; A47J 37/04; A47J  
37/06; A47J 37/08; F23C 3/00; F23D  
3/18; F23D 14/02; F24B 1/182; F24B  
1/192; F24B 1/193; F24B 3/00; F24F  
13/20; F24C 1/16; F24C 15/10; F24C  
15/14; F26B 11/02; F26B 19/00  
See application file for complete search history.

(56) **References Cited**

**U.S. PATENT DOCUMENTS**

1,683,420 A \* 9/1928 Skube, Jr. .... F24B 1/192  
126/298  
1,756,511 A \* 4/1930 Dowler ..... F24B 1/182  
126/528  
2,245,074 A \* 6/1941 Mathis ..... F24B 1/192  
126/544

**OTHER PUBLICATIONS**

Zhongshan Chances Electrical Model EFO Series, image post date Oct. 27, 2014, site visited Jun. 16, 2018, (online), <[http://www.chances-corp.com/eacp\\_view.asp?id=113](http://www.chances-corp.com/eacp_view.asp?id=113)>.\*

(Continued)

*Primary Examiner* — Kevin K Rudzinski  
*Assistant Examiner* — Sean D Lough  
(74) *Attorney, Agent, or Firm* — Rosenberg, Klein & Lee

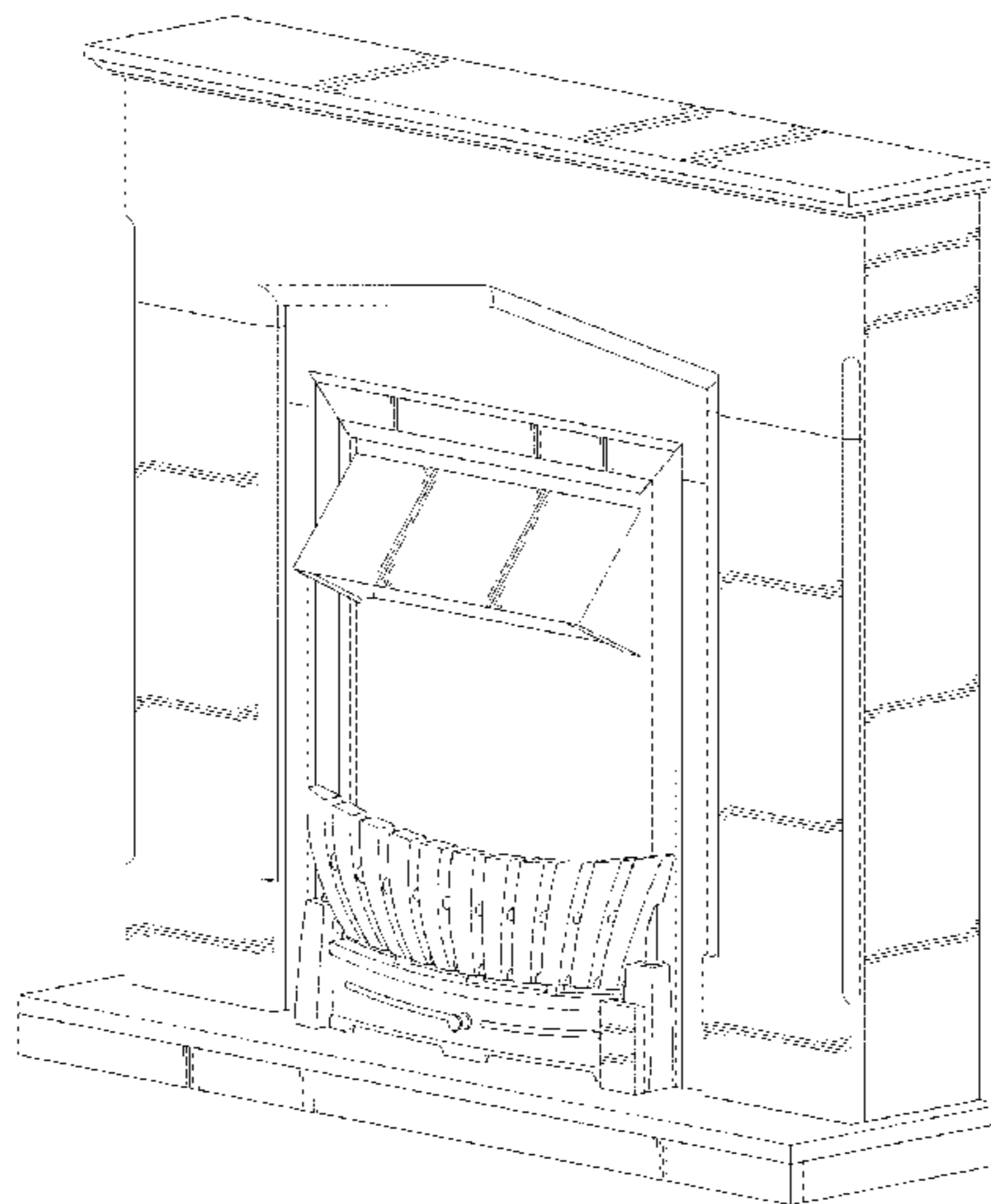
(57) **CLAIM**

The ornamental design for a fireplace, as shown and described.

**DESCRIPTION**

FIG. 1 is a perspective view of a fireplace showing our new design;  
FIG. 2 is a front elevation view thereof;  
FIG. 3 is a rear elevation view thereof;  
FIG. 4 is a left side elevation view thereof;  
FIG. 5 is a right side elevation view thereof;  
FIG. 6 is a top plan view thereof; and,  
FIG. 7 is a bottom plan view thereof.  
The broken lines shown in the figures are included for illustrating portions of the fireplace that form no part of the claimed design.

**1 Claim, 7 Drawing Sheets**



(56)

References Cited

U.S. PATENT DOCUMENTS

4,583,516 A \* 4/1986 Patterson ..... F24B 1/1806  
126/531  
4,884,556 A \* 12/1989 Alden ..... F24B 1/192  
126/190  
5,036,830 A \* 8/1991 Whiteley ..... F24B 1/193  
126/163 R  
5,052,371 A \* 10/1991 Robert ..... F24B 1/192  
126/547  
5,303,692 A \* 4/1994 Shasad ..... F24B 1/182  
108/35  
6,637,713 B1 \* 10/2003 Kleve ..... F24B 1/193  
126/152 B  
D509,087 S \* 9/2005 Rozenboom ..... D23/404  
D514,677 S \* 2/2006 Jach ..... D23/343  
D529,599 S \* 10/2006 Hills ..... D23/404  
D532,898 S \* 11/2006 Hills ..... D23/404  
D646,775 S \* 10/2011 Hadi ..... D23/404  
D647,194 S \* 10/2011 Hadi ..... D23/404  
D653,739 S \* 2/2012 Gibbs ..... D23/314  
D660,955 S \* 5/2012 Hadi ..... D23/404  
D668,748 S \* 10/2012 Asofsky ..... D23/344  
D670,800 S \* 11/2012 Hadi ..... D23/404

D688,365 S \* 8/2013 Hadi ..... D23/404  
D701,066 S \* 3/2014 Rowland ..... D6/675.1  
8,776,779 B2 \* 7/2014 Johnston ..... F24B 1/193  
126/540  
D734,842 S \* 7/2015 Goodson ..... D23/332  
D738,477 S \* 9/2015 Nemes ..... D23/344  
D767,752 S \* 9/2016 Davis ..... D23/403  
9,435,542 B1 \* 9/2016 Goodson ..... F24B 1/189  
D804,625 S \* 12/2017 Baker ..... D23/344  
D817,666 S \* 5/2018 Davis ..... D6/661  
D817,667 S \* 5/2018 Davis ..... D6/661

OTHER PUBLICATIONS

Zhongshan Chances Electrical Model EFS Series, image post date Oct. 27, 2014, site visited Jun. 16, 2018, (online), <[http://www.chances-corp.com/eacp\\_view.asp?id=71](http://www.chances-corp.com/eacp_view.asp?id=71)>.\*  
Zhongshan Chances Electrical Model EHS Series, image post date Oct. 27, 2014, site visited Jun. 16, 2018, (online), <[http://www.chances-corp.com/eacp\\_view.asp?id=83](http://www.chances-corp.com/eacp_view.asp?id=83)>.\*  
Zhongshan Chances Electrical Model SUR Series, image post date Oct. 27, 2014, site visited Jun. 16, 2018, (online), <[http://www.chances-corp.com/eacp\\_view.asp?id=104](http://www.chances-corp.com/eacp_view.asp?id=104)>.\*

\* cited by examiner

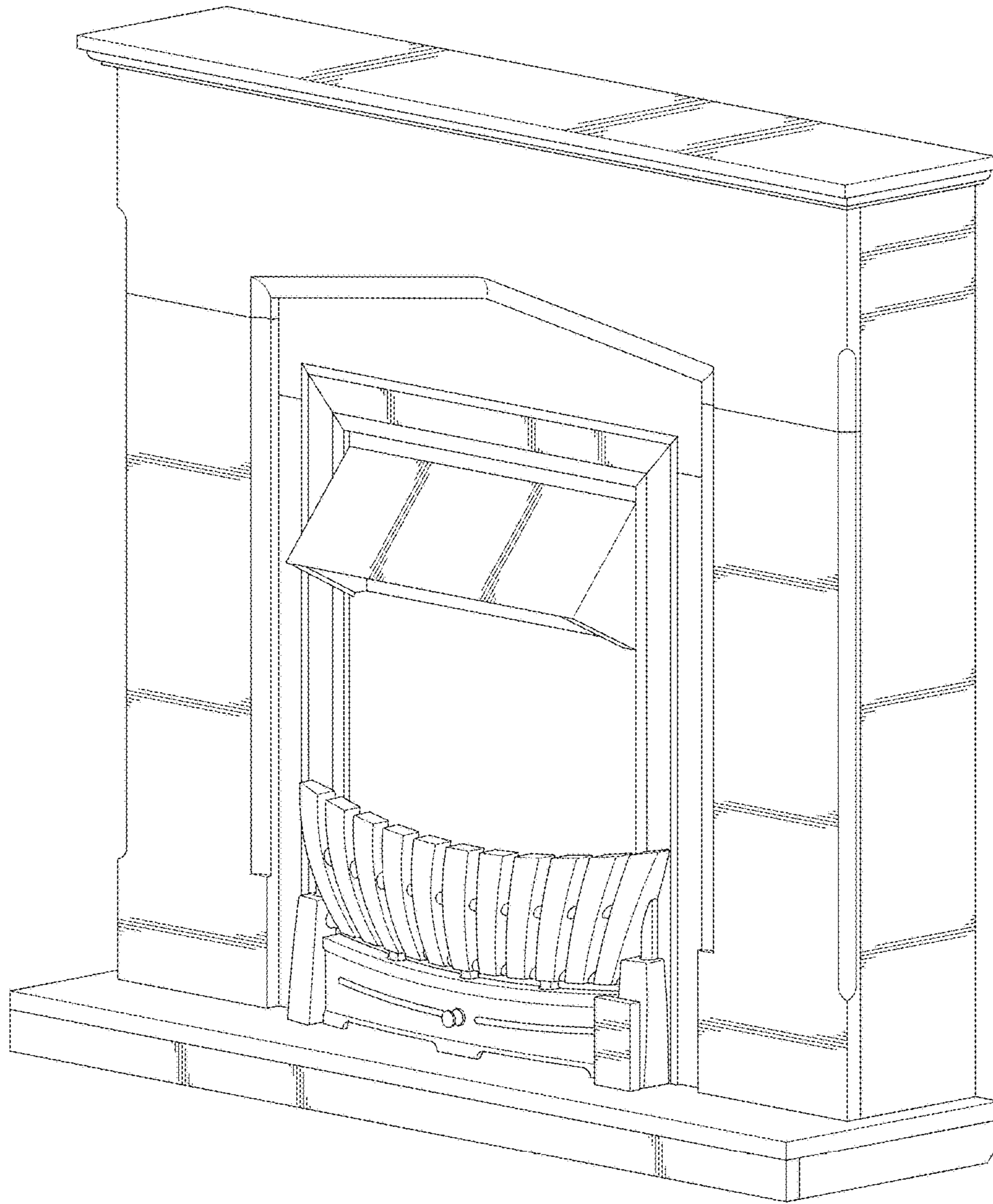


FIG. 1

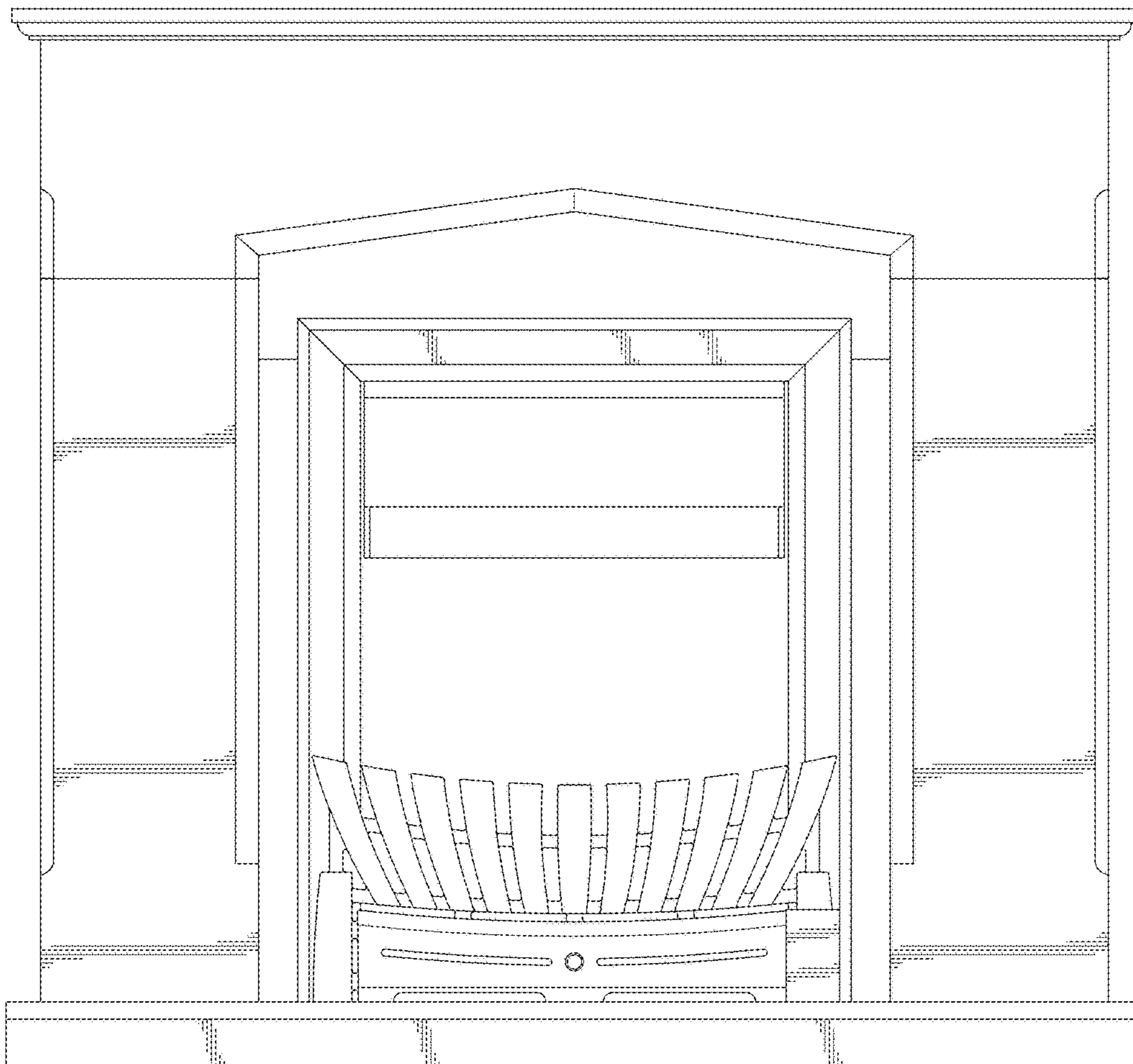


FIG. 2



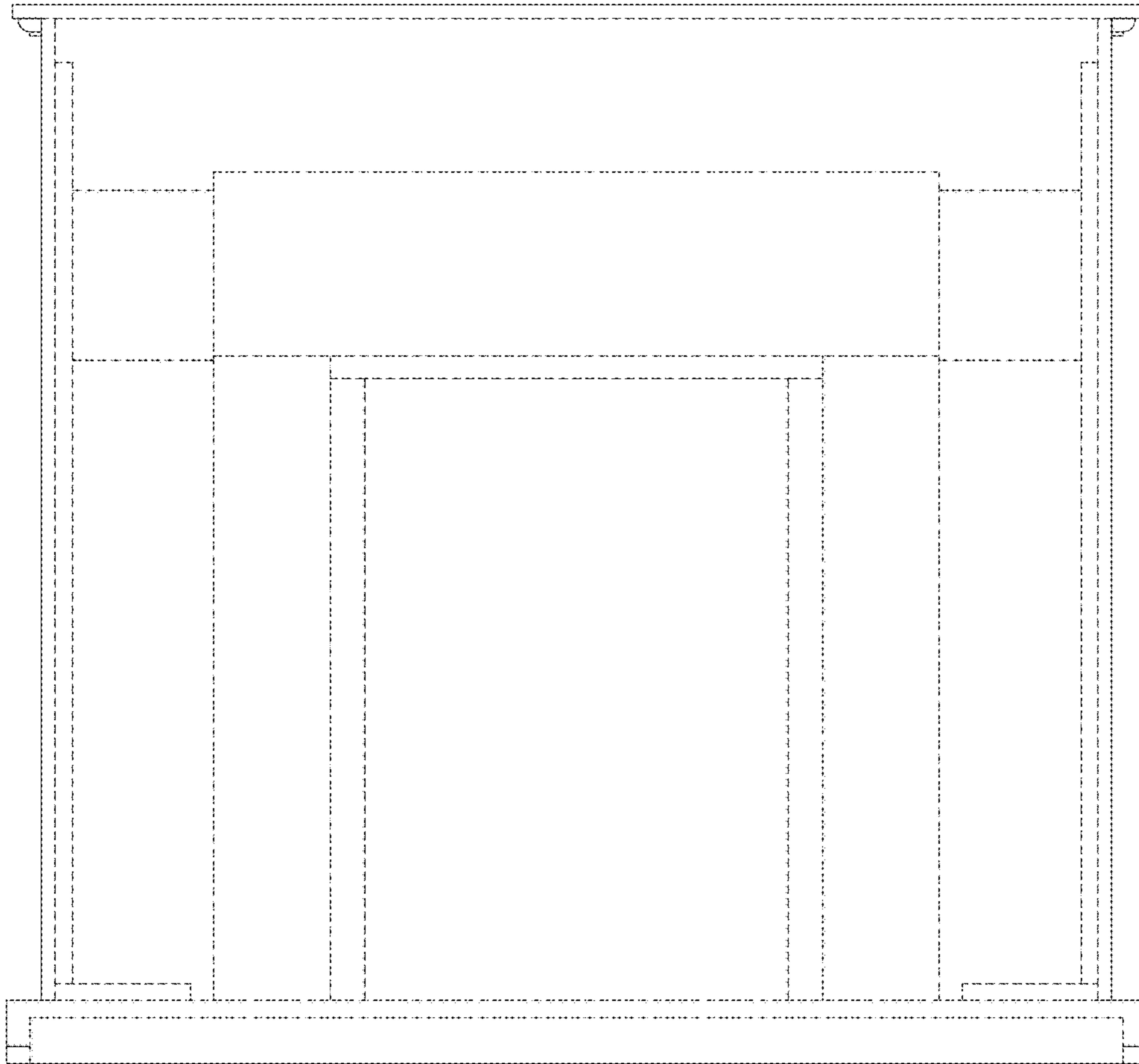


FIG. 3

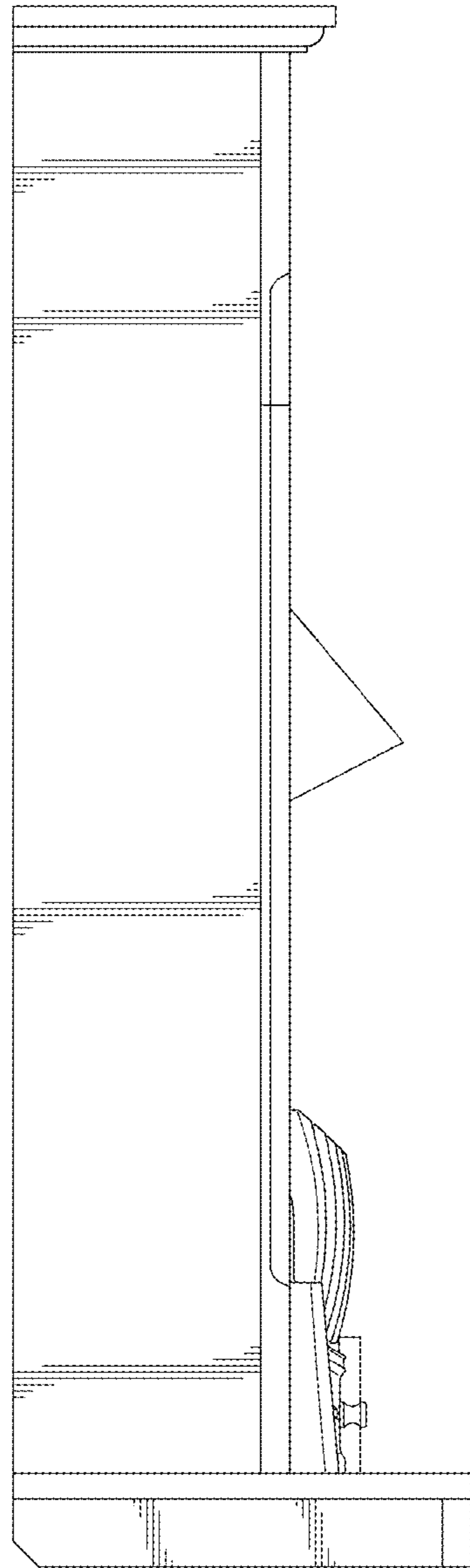


FIG. 4

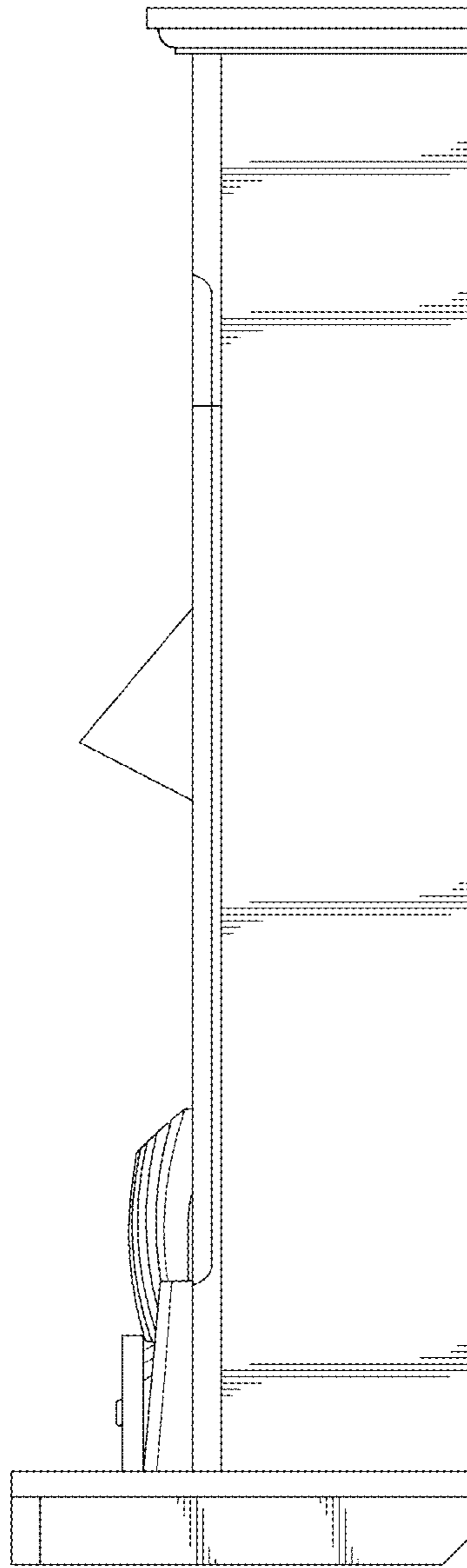


FIG. 5

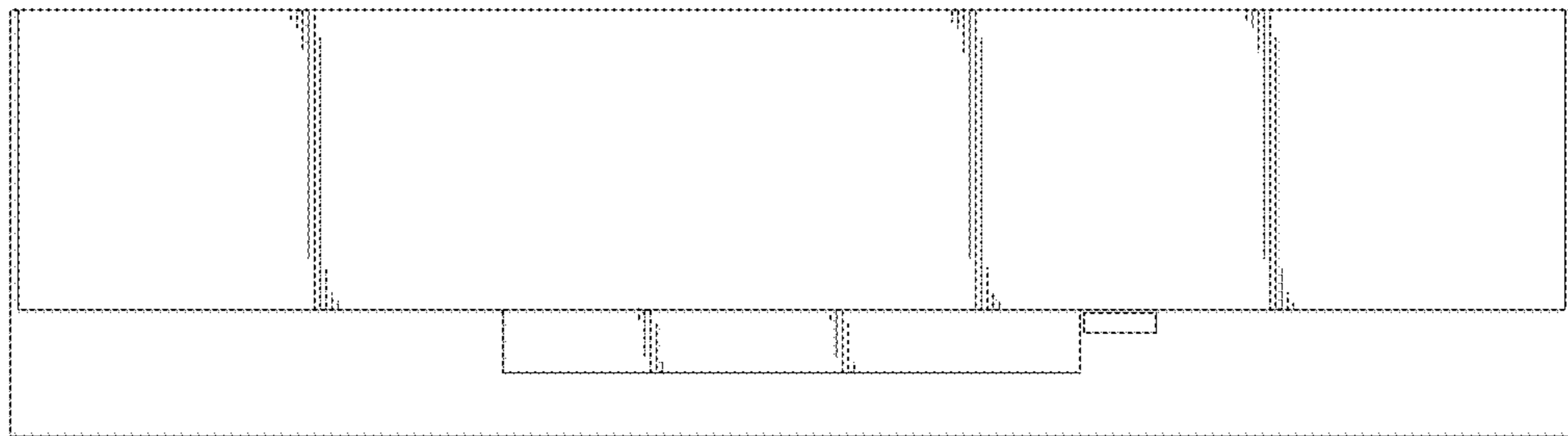


FIG. 6



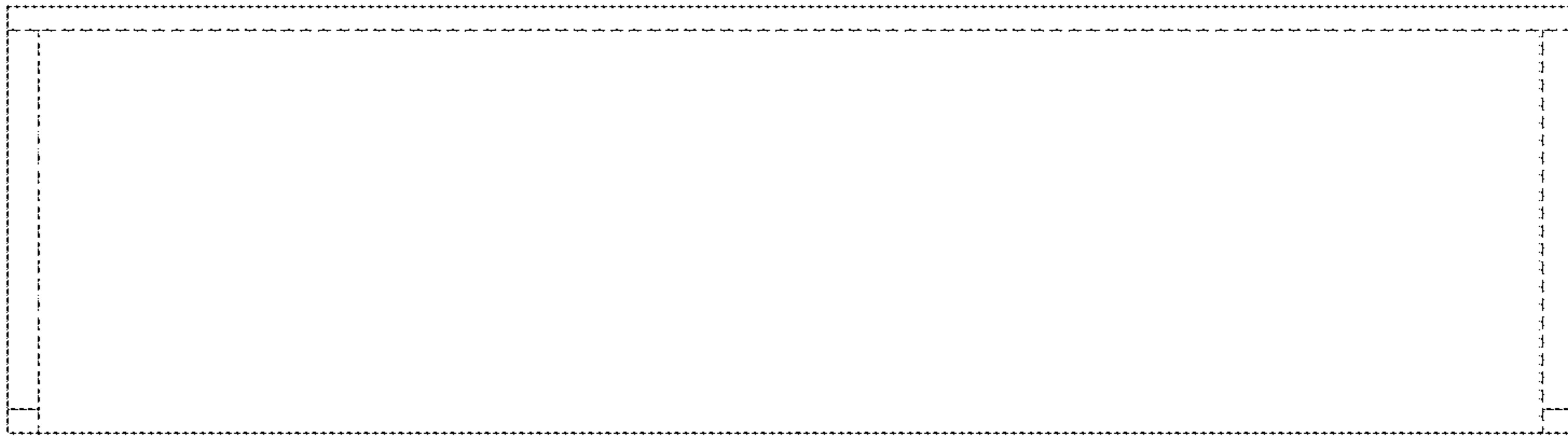


FIG. 7