



US00D828536S

(12) **United States Design Patent** (10) **Patent No.:** **US D828,536 S**
Couto (45) **Date of Patent:** **** Sep. 11, 2018**

(54) **VENT COVER**

(71) Applicant: **MMC Bus Division Inc.**, Stoney Creek, Ontario (CA)

(72) Inventor: **Wally Couto**, Burlington (CA)

(**) Term: **15 Years**

(21) Appl. No.: **29/592,012**

(22) Filed: **Jan. 25, 2017**

(51) **LOC (11) Cl.** **23-03**

(52) **U.S. Cl.**
USPC **D23/393**

(58) **Field of Classification Search**
USPC D23/373, 370, 371, 391, 393, 386, 499, D23/387, 388, 314, 392; 296/208; 138/157, 138, 155, 128, 158, 167, 168
CPC .. B60H 1/00564; F24F 13/02; F24F 13/0245; F24F 13/20; F24F 7/02
See application file for complete search history.

(56) **References Cited**

U.S. PATENT DOCUMENTS

D296,584 S *	7/1988	Hilton	D23/370
D625,800 S *	10/2010	Daniels	D23/373
D704,815 S *	5/2014	Butler	D23/373
D704,816 S *	5/2014	Butler	D23/373
D704,817 S *	5/2014	Butler	D23/373

D779,650 S *	2/2017	Poehlman	D23/393
2010/0184366 A1 *	7/2010	Hassenstab	F24F 7/02 454/367
2013/0078903 A1 *	3/2013	Mantyla	F24F 7/02 454/367

* cited by examiner

Primary Examiner — Cynthia Ramirez

Assistant Examiner — Gino Colan

(74) *Attorney, Agent, or Firm* — Steven M. Greenberg; CRGO Law

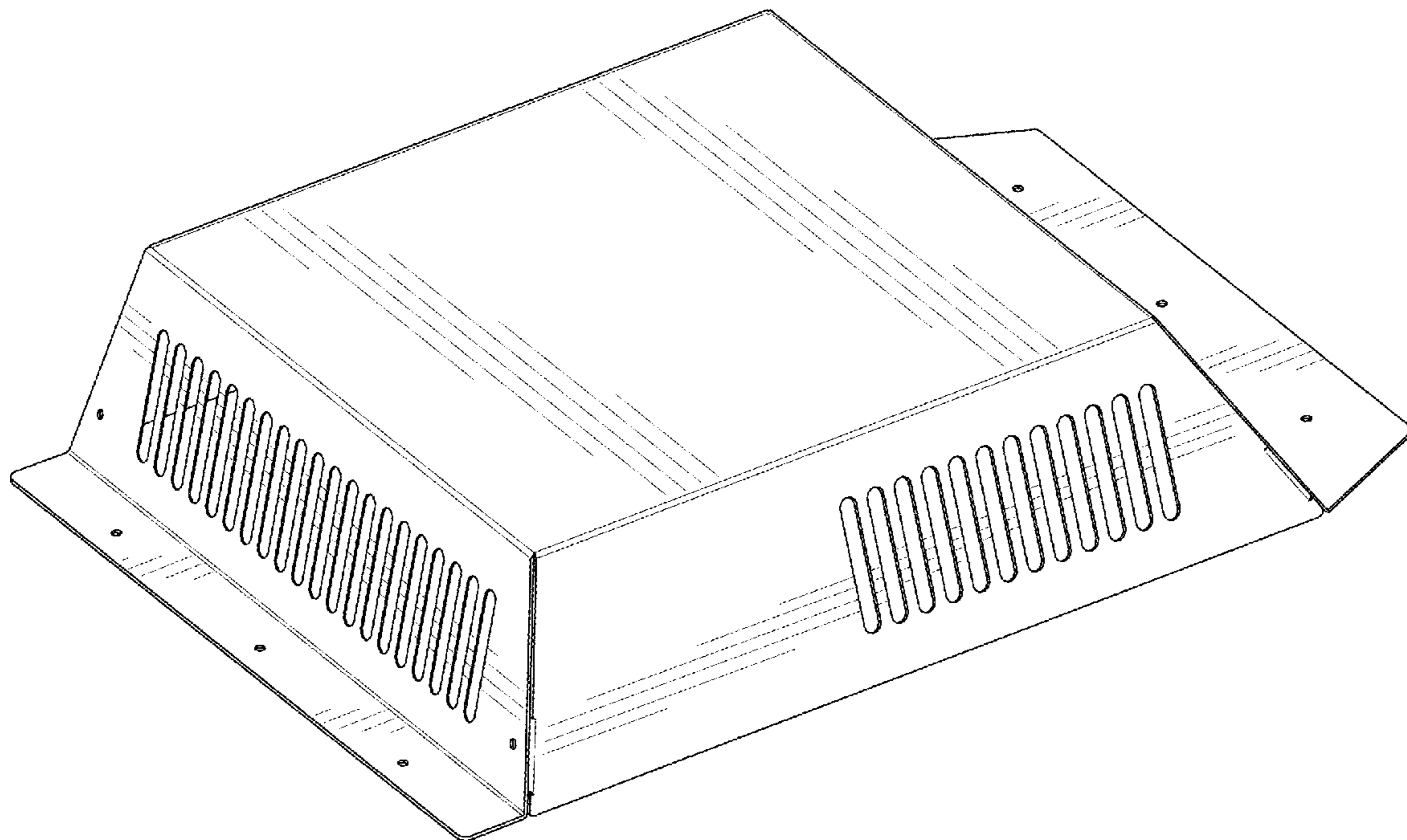
(57) **CLAIM**

The ornamental design for a vent cover, as shown and described.

DESCRIPTION

FIG. 1 is a top perspective view of a vent cover showing my new design;
FIG. 2 is a first side elevation view of the vent cover of FIG. 1;
FIG. 3 is a top plan view of the vent cover of FIG. 1;
FIG. 4 is a second side elevation view of the vent cover of FIG. 1;
FIG. 5 is a third side elevation view of the vent cover of FIG. 1;
FIG. 6 is a fourth side elevation view of the vent cover of FIG. 1;
FIG. 7 is a bottom plan view of the vent cover of FIG. 1; and, FIG. 8 is a plan view showing the vent cover of FIG. 1 in a flattened, pre-assembly configuration.

1 Claim, 5 Drawing Sheets



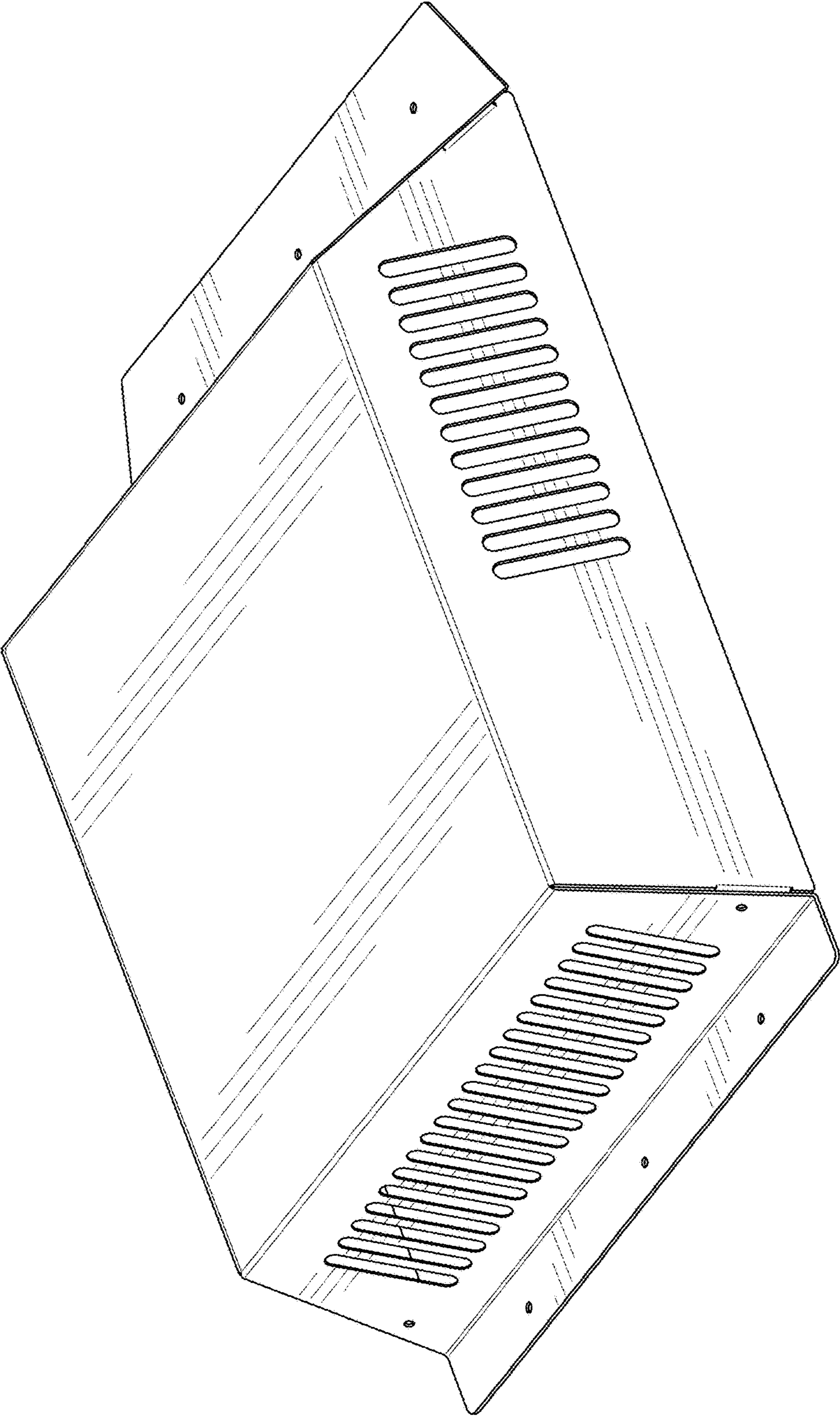


FIG. 1

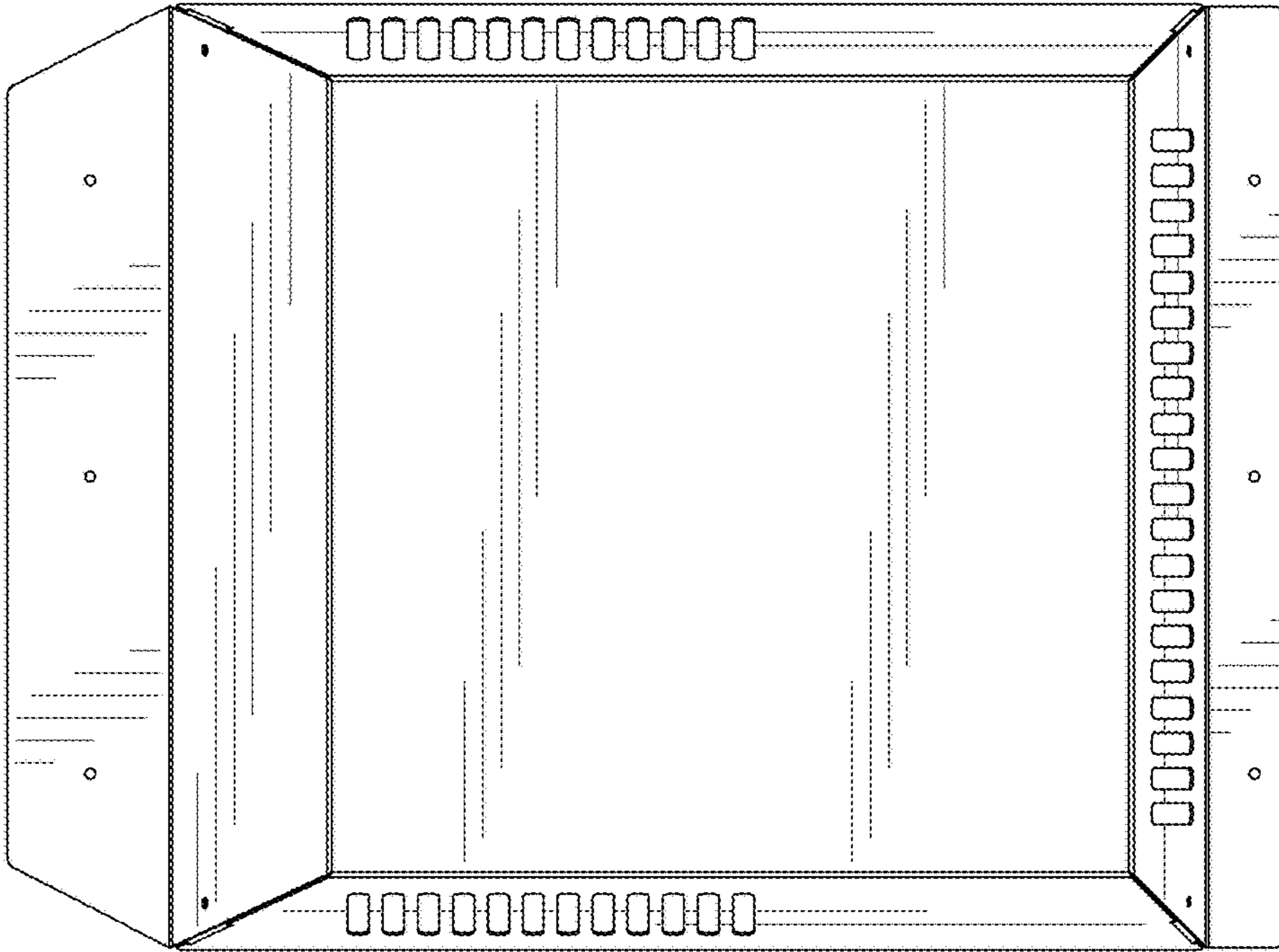


FIG. 2

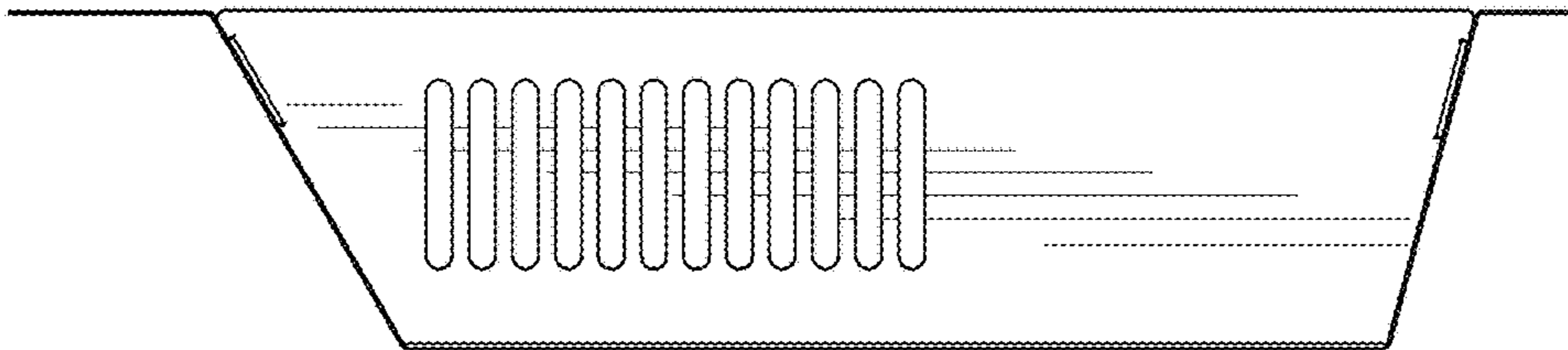


FIG. 3

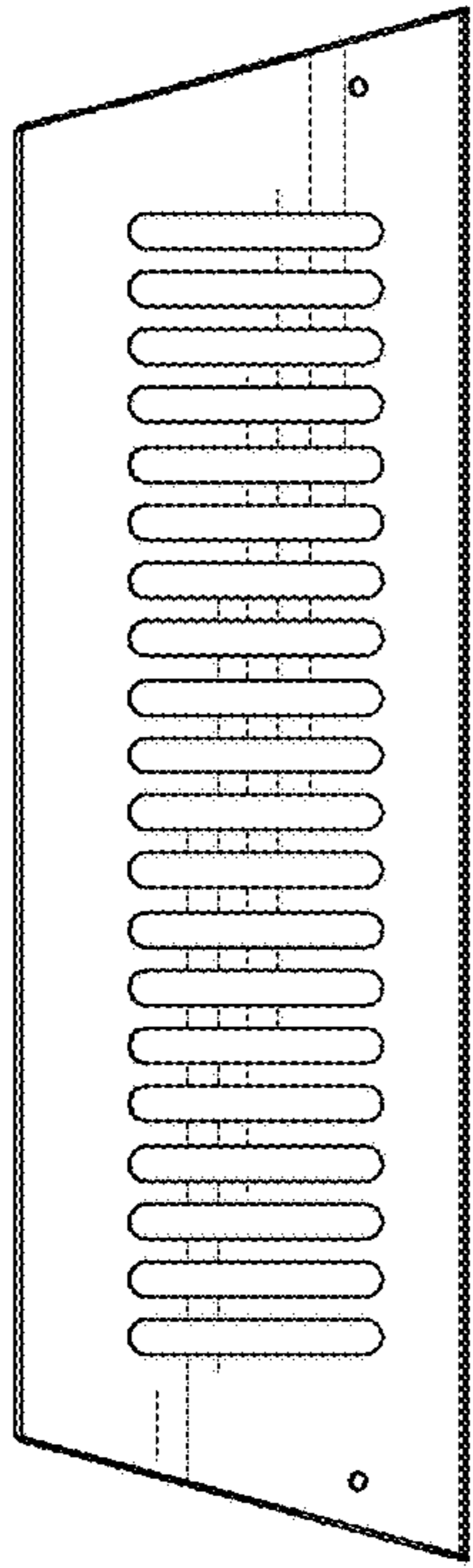


FIG. 5

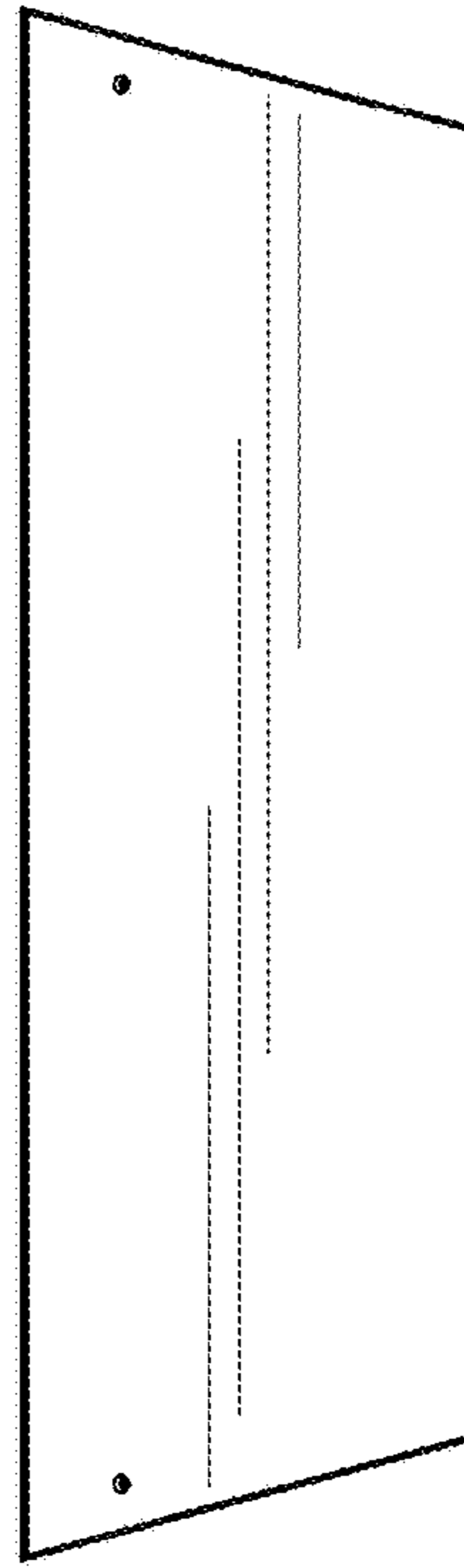


FIG. 6

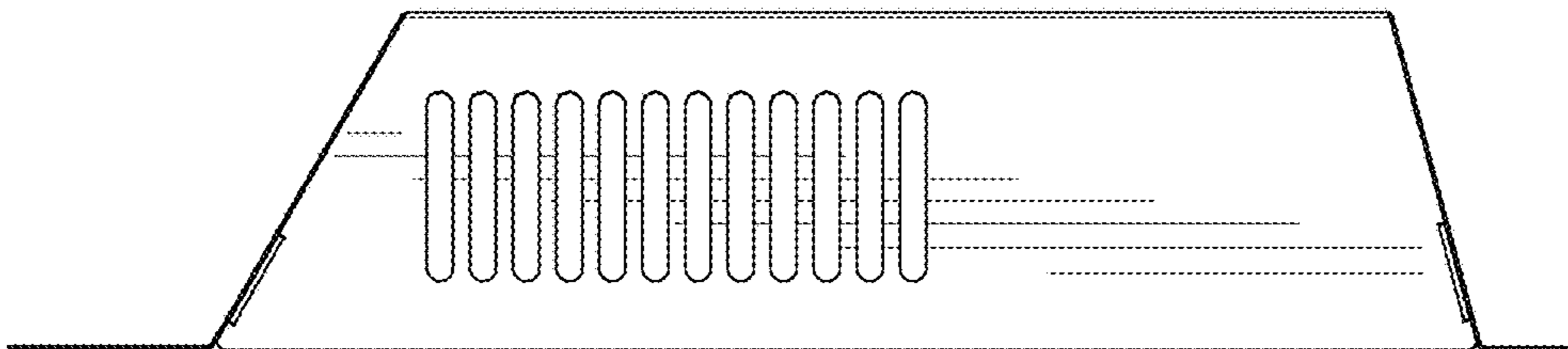


FIG. 4

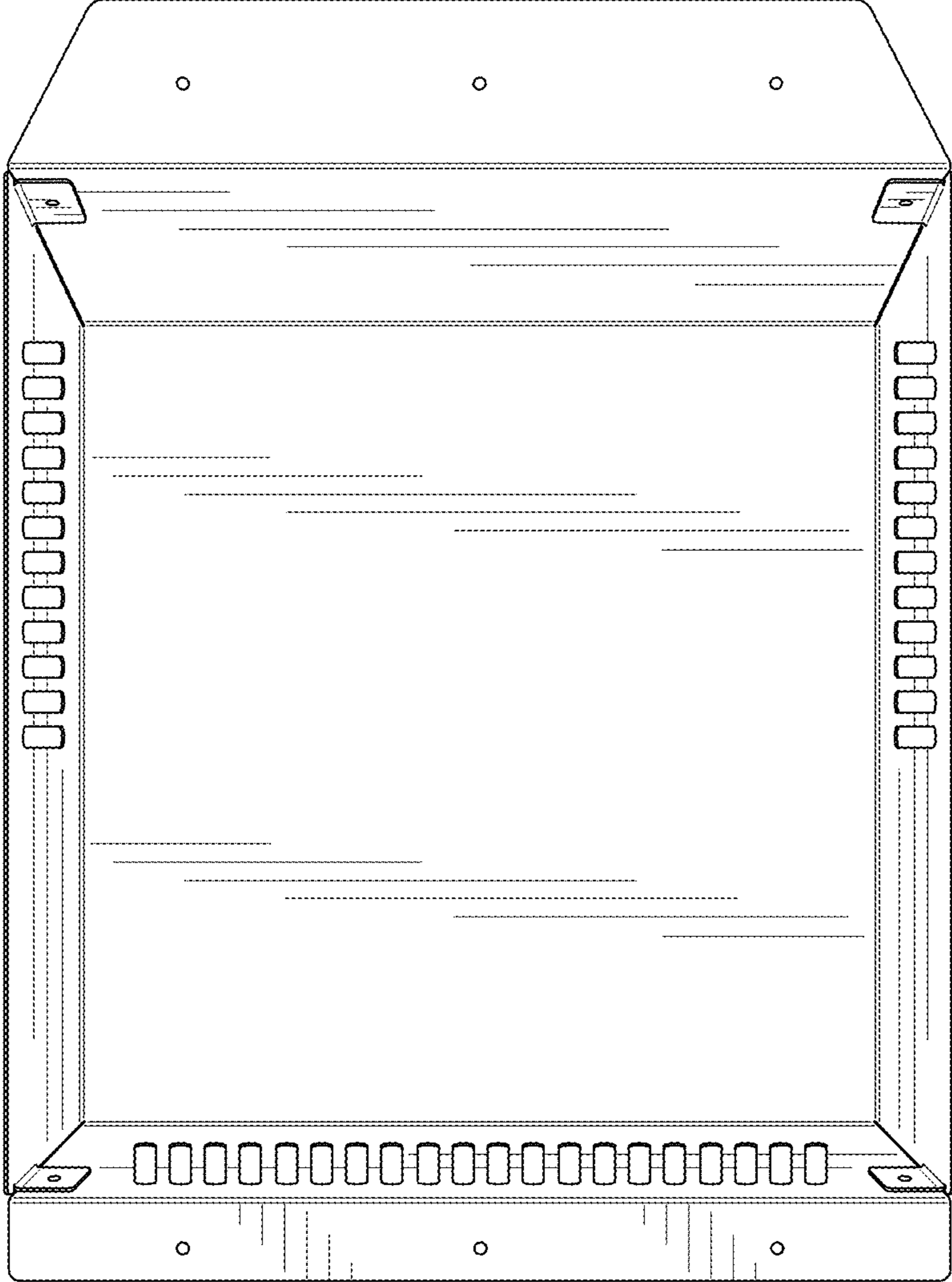


FIG. 7

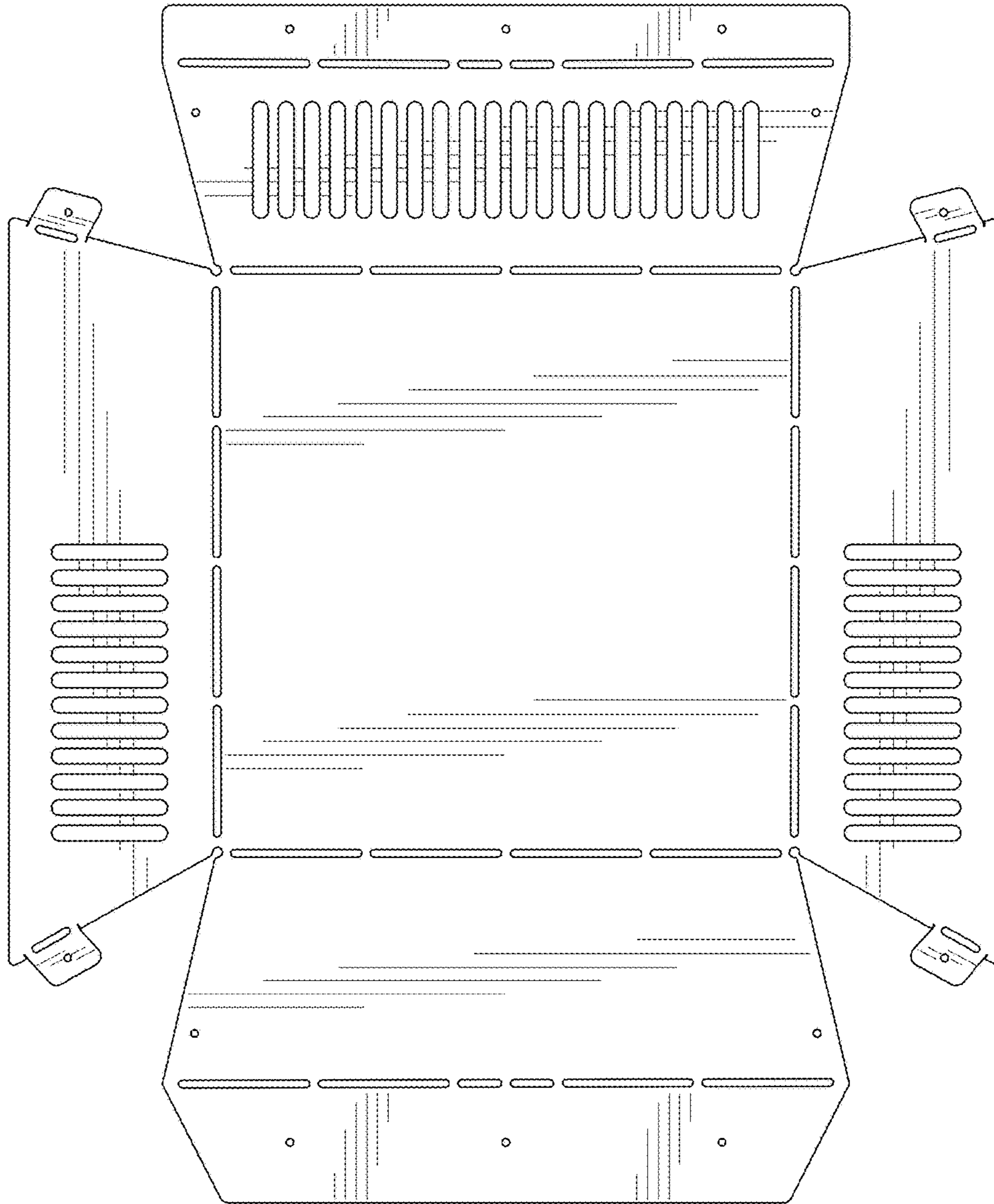


FIG. 8