



US00D828532S

(12) **United States Design Patent** (10) **Patent No.:** **US D828,532 S**
Angarita Duran (45) **Date of Patent:** **** Sep. 11, 2018**

(54) **AIR FRESHENER**

D700,694 S * 3/2014 Sordo D23/366
D712,532 S * 9/2014 Adair A61L 9/12
D800,287 S * 10/2017 Sevy D23/366

(71) Applicant: **Liz Johanna Angarita Duran**, Playa de San Juan (ES)

(72) Inventor: **Liz Johanna Angarita Duran**, Playa de San Juan (ES)

(**) Term: **15 Years**

(21) Appl. No.: **29/584,708**

(22) Filed: **Nov. 16, 2016**

(51) **LOC (11) Cl.** **28-99**

(52) **U.S. Cl.**
USPC **D23/366**

(58) **Field of Classification Search**
USPC D23/355-370, 386-388; D14/214-216
CPC Y10T 428/1366; B32B 2597/00; B01D 46/00; B01D 46/0004; B01D 27/04
See application file for complete search history.

(56) **References Cited**

U.S. PATENT DOCUMENTS

D511,823 S * 11/2005 Caserta D23/366
D520,128 S * 5/2006 Caserta D23/366
D535,734 S * 1/2007 Caserta D23/366
D535,735 S * 1/2007 Ruiz Ballesteros D23/366
D544,592 S * 6/2007 Caserta D23/366
D604,823 S * 11/2009 Schwartz D23/366
D625,400 S * 10/2010 Deflorian D23/366

* cited by examiner

Primary Examiner — Brandon M Rosati

Assistant Examiner — John A Voytek

(74) *Attorney, Agent, or Firm* — Keith Swedo

(57) **CLAIM**

The ornamental design for an air freshener, as shown and described.

DESCRIPTION

FIG. 1 is a top, left front perspective view of a base of an air freshener;

FIG. 2 is a left side view of the base;

FIG. 3 is a front view of the base;

FIG. 4 is a top view of the base;

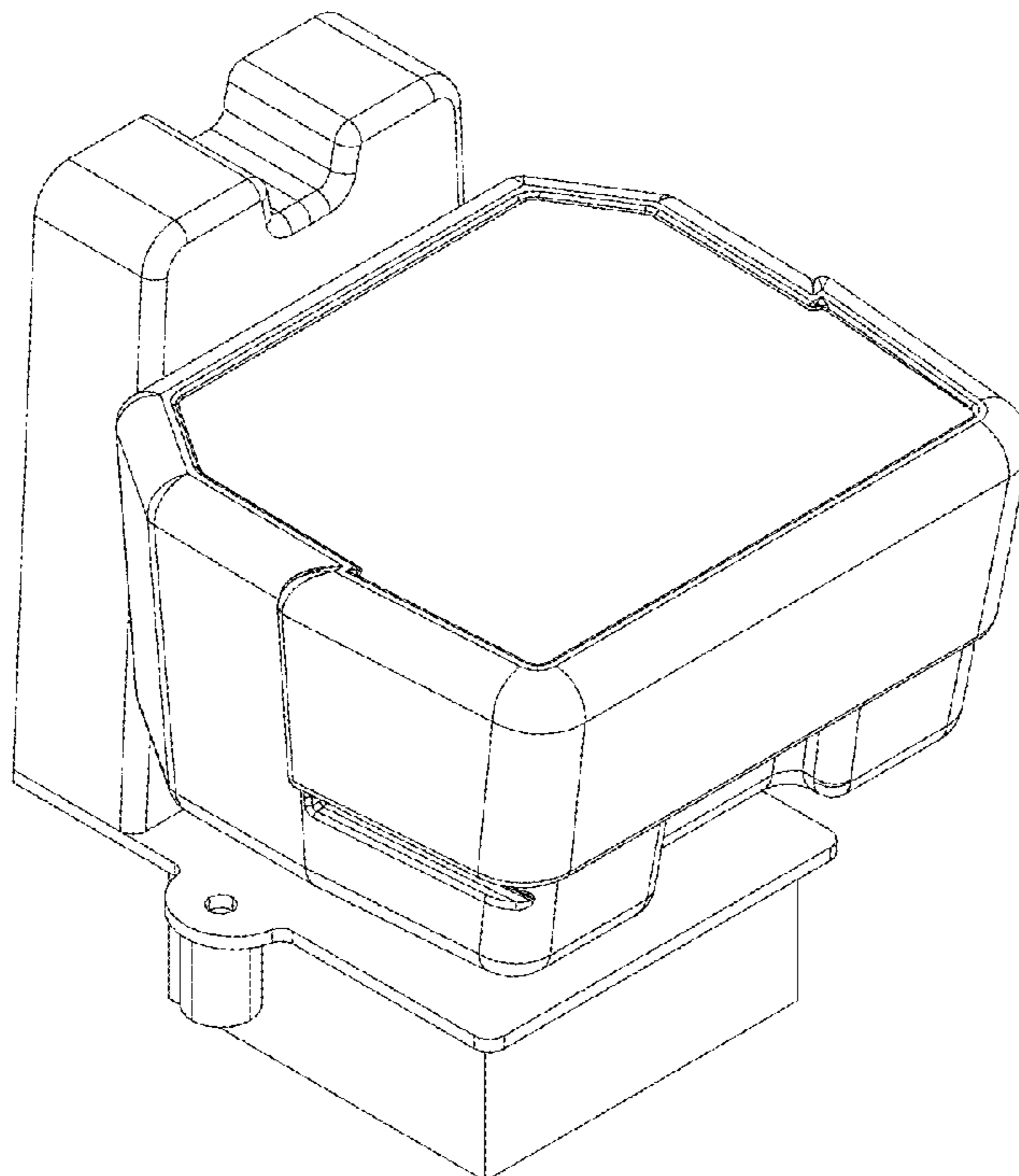
FIG. 5 is a top, left front perspective view of the air freshener including the base and a tank;

FIG. 6 is a rear view of the base; and,

FIG. 7 is a bottom view of the base.

The claim is directed to the combined base and tank of an air freshener, as best seen in FIG. 5. The base disclosed in FIGS. 1-4 and 6-7 is shown with the tank removed for clarity of disclosure. The broken lines in FIG. 7 are for the purpose of illustrating environment and form no part of the claimed design.

1 Claim, 7 Drawing Sheets



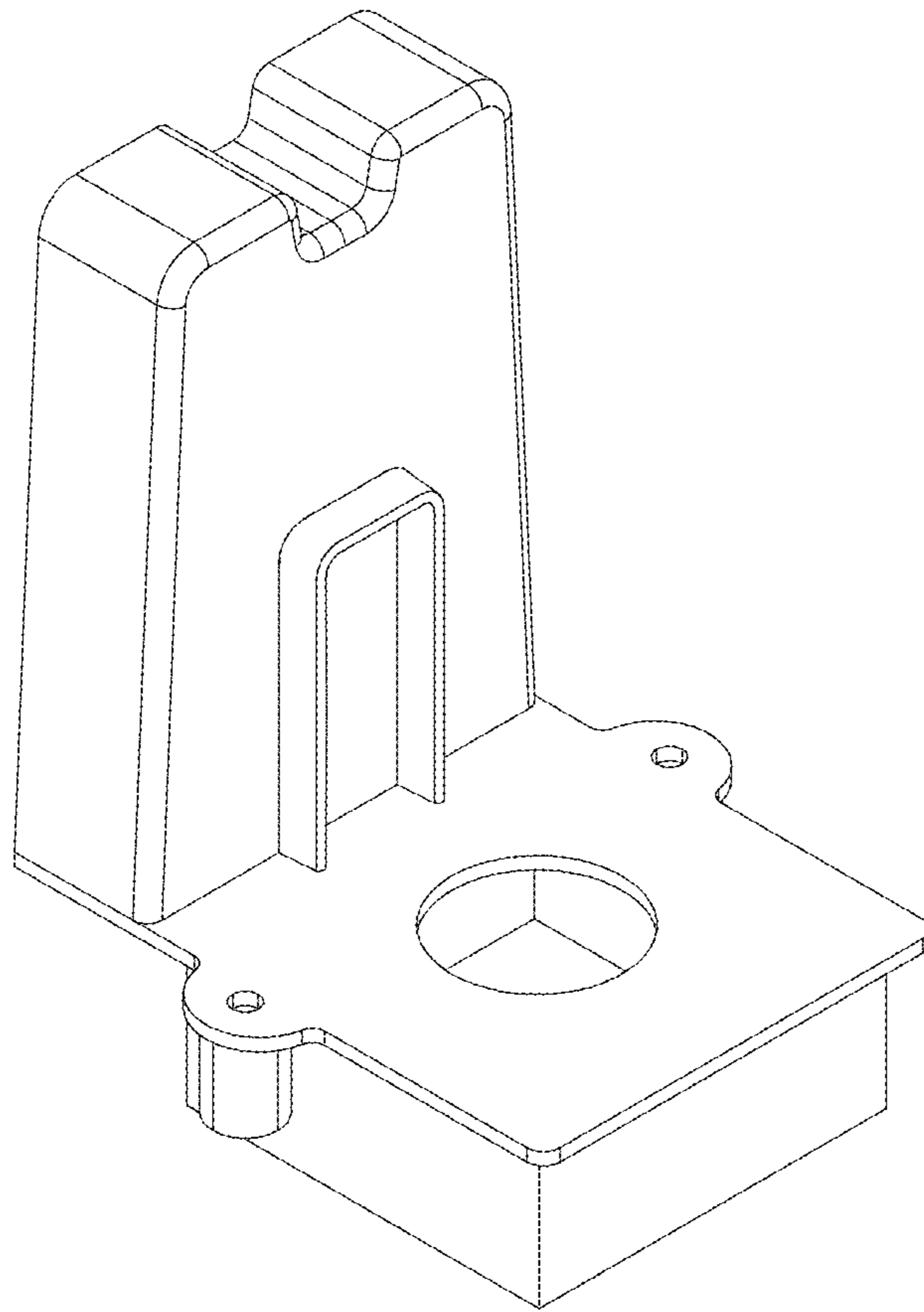


Fig. 1

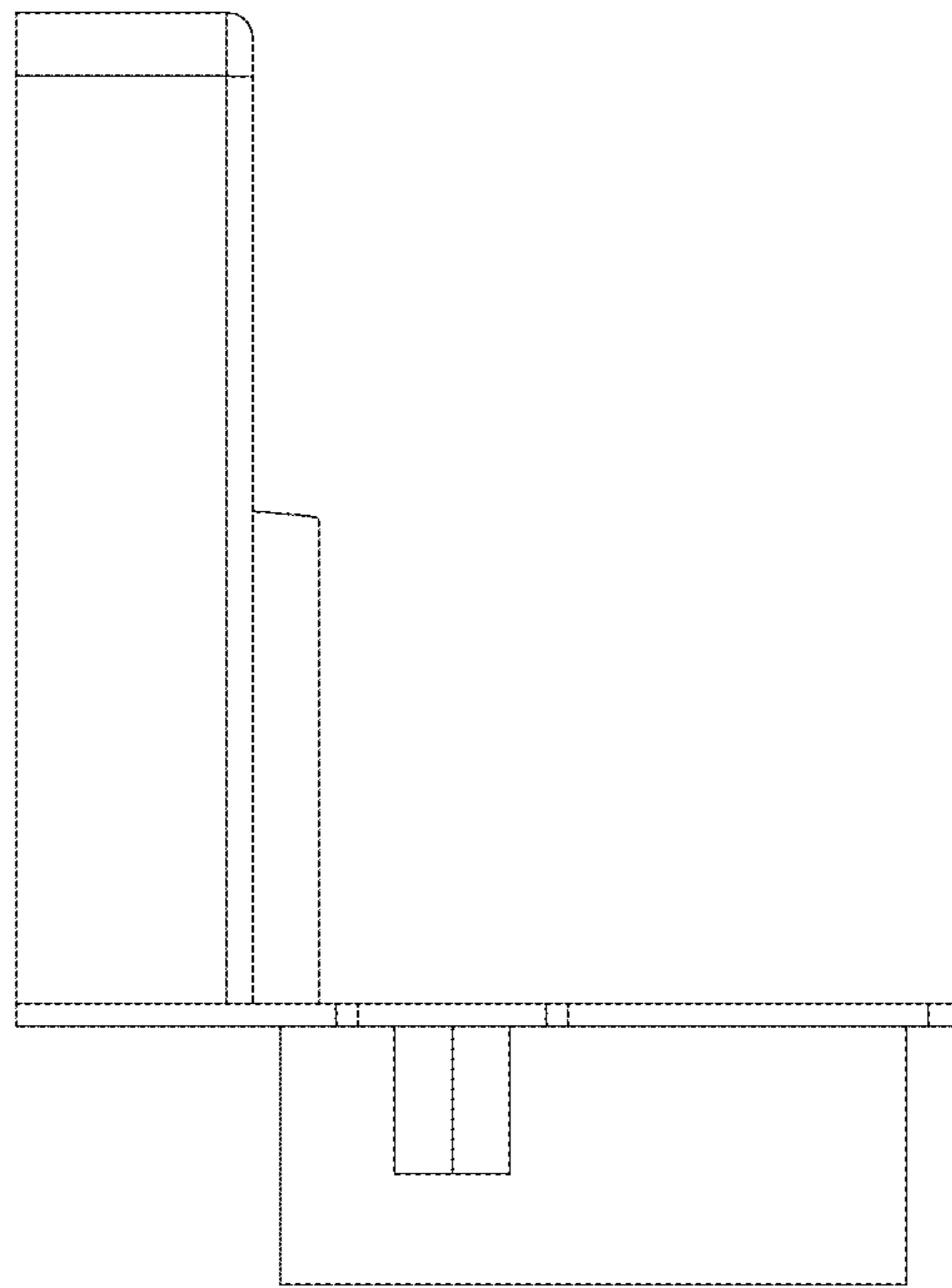


Fig. 2

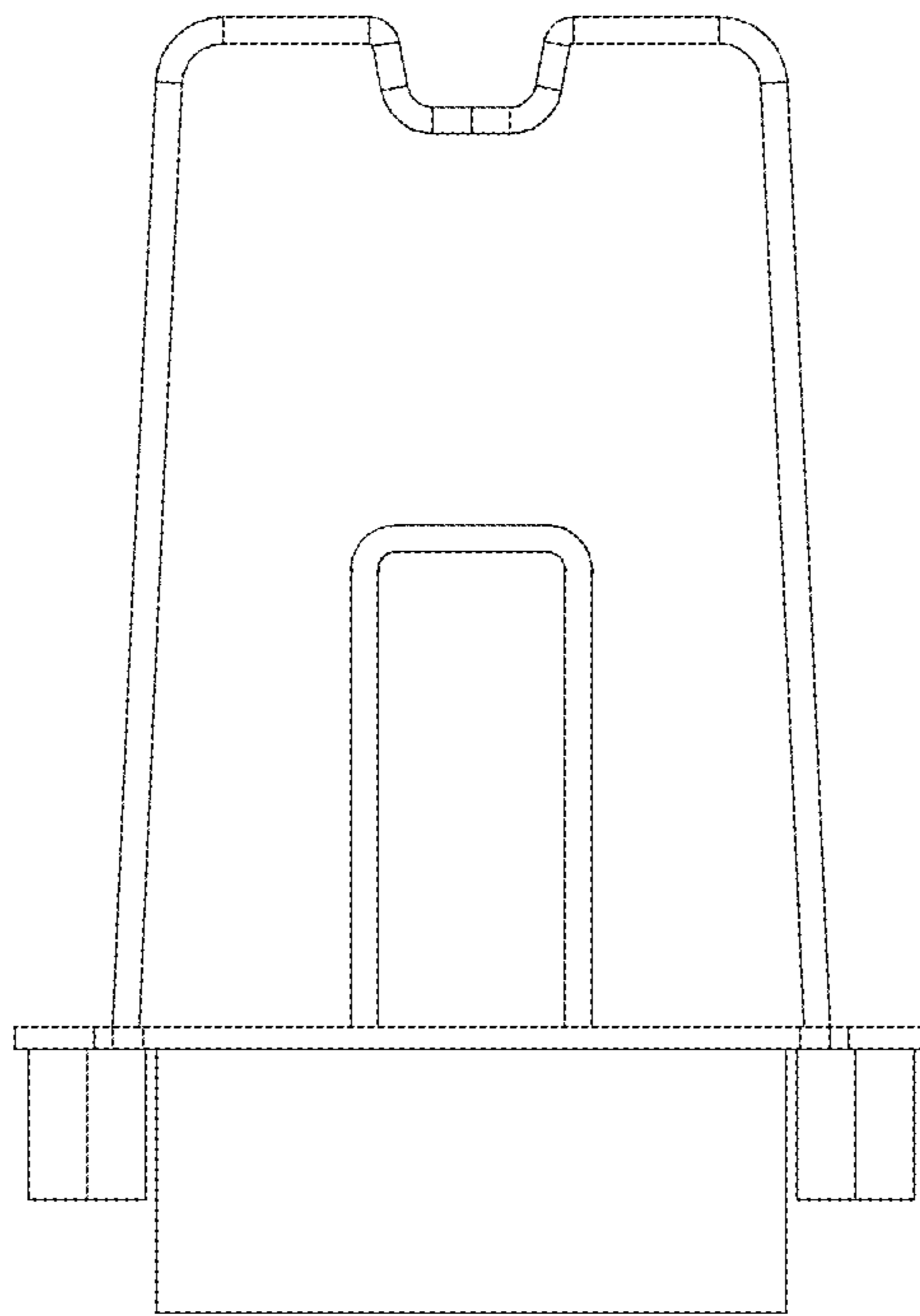


Fig. 3

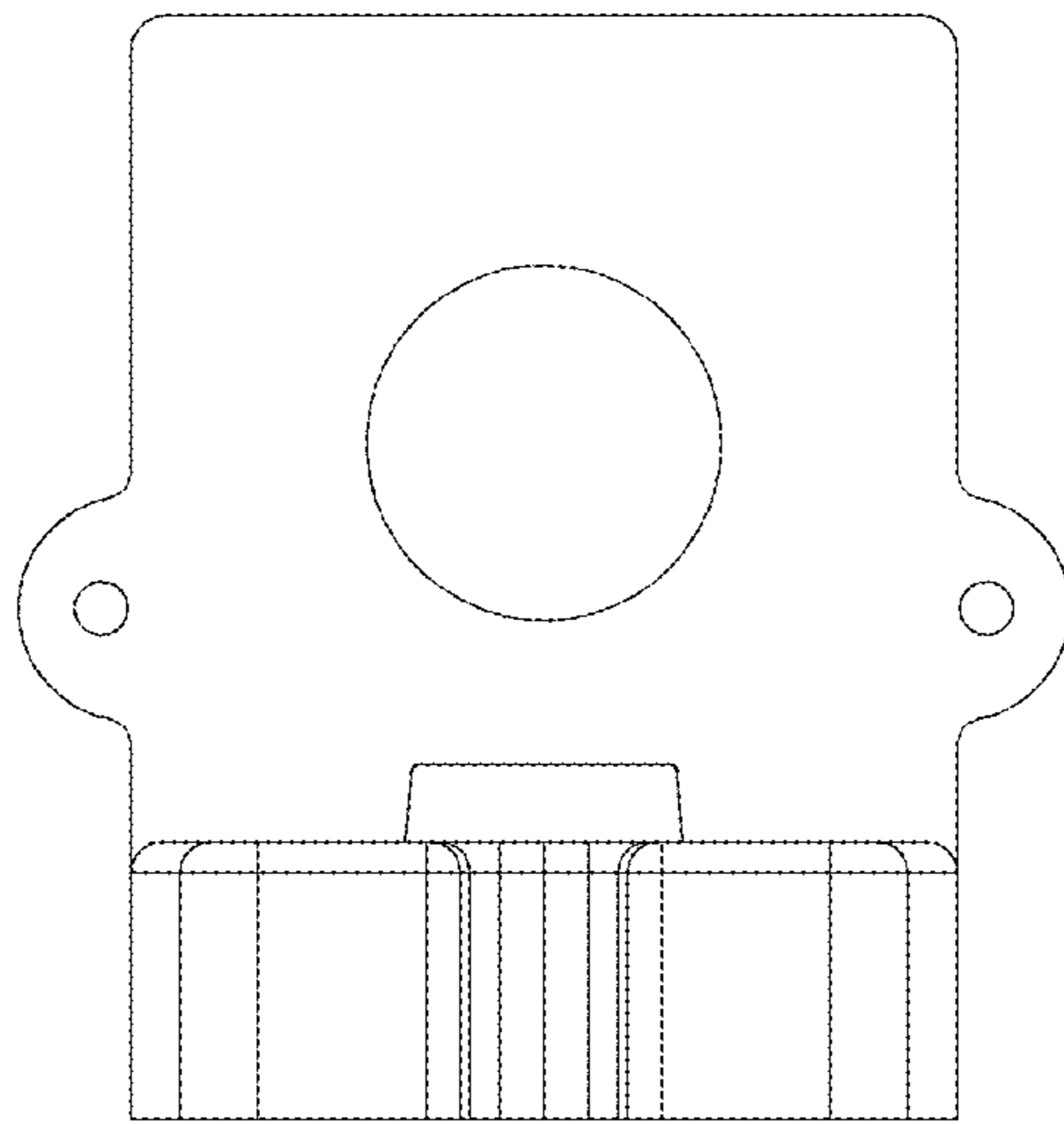


Fig. 4

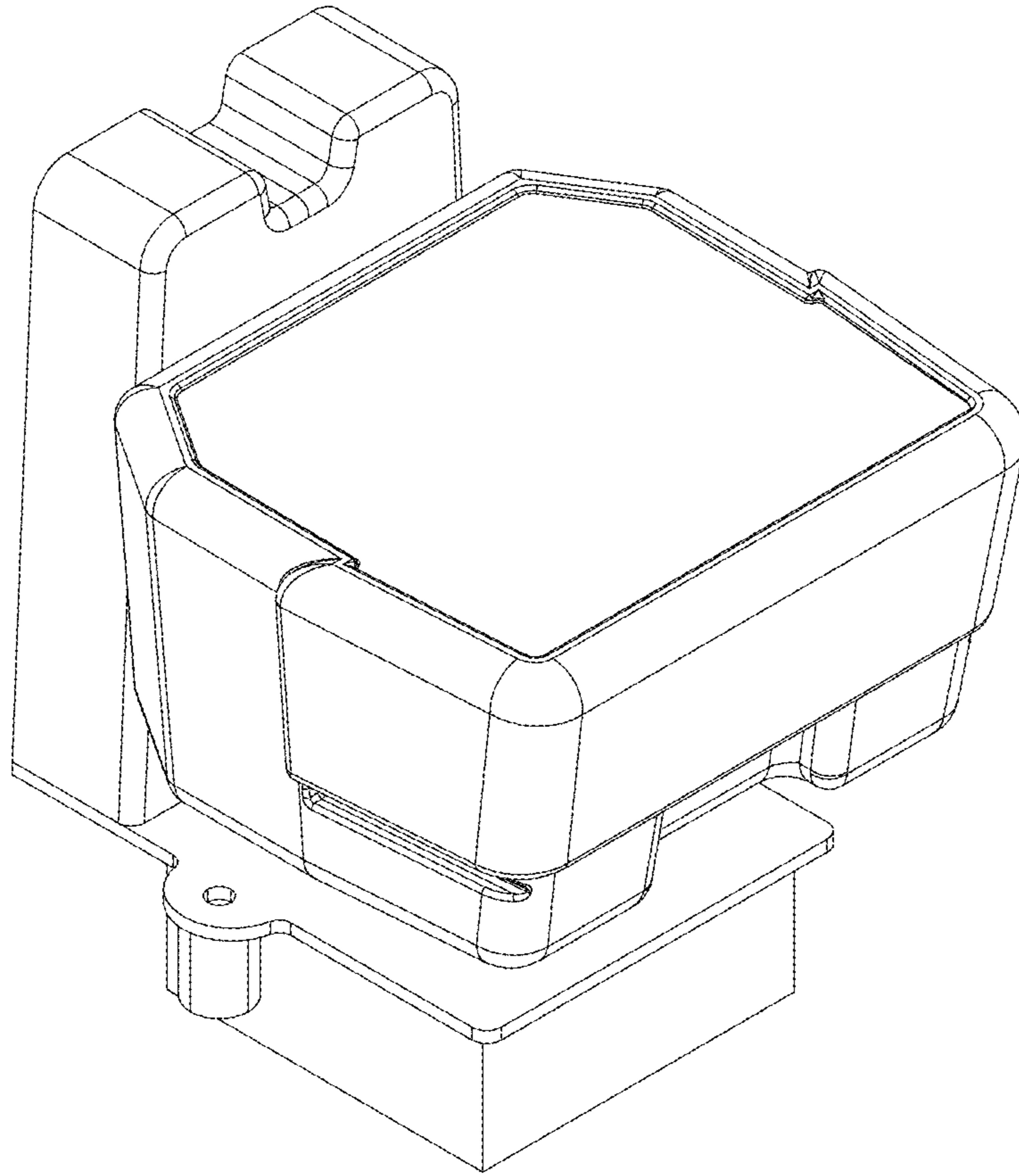


Fig. 5

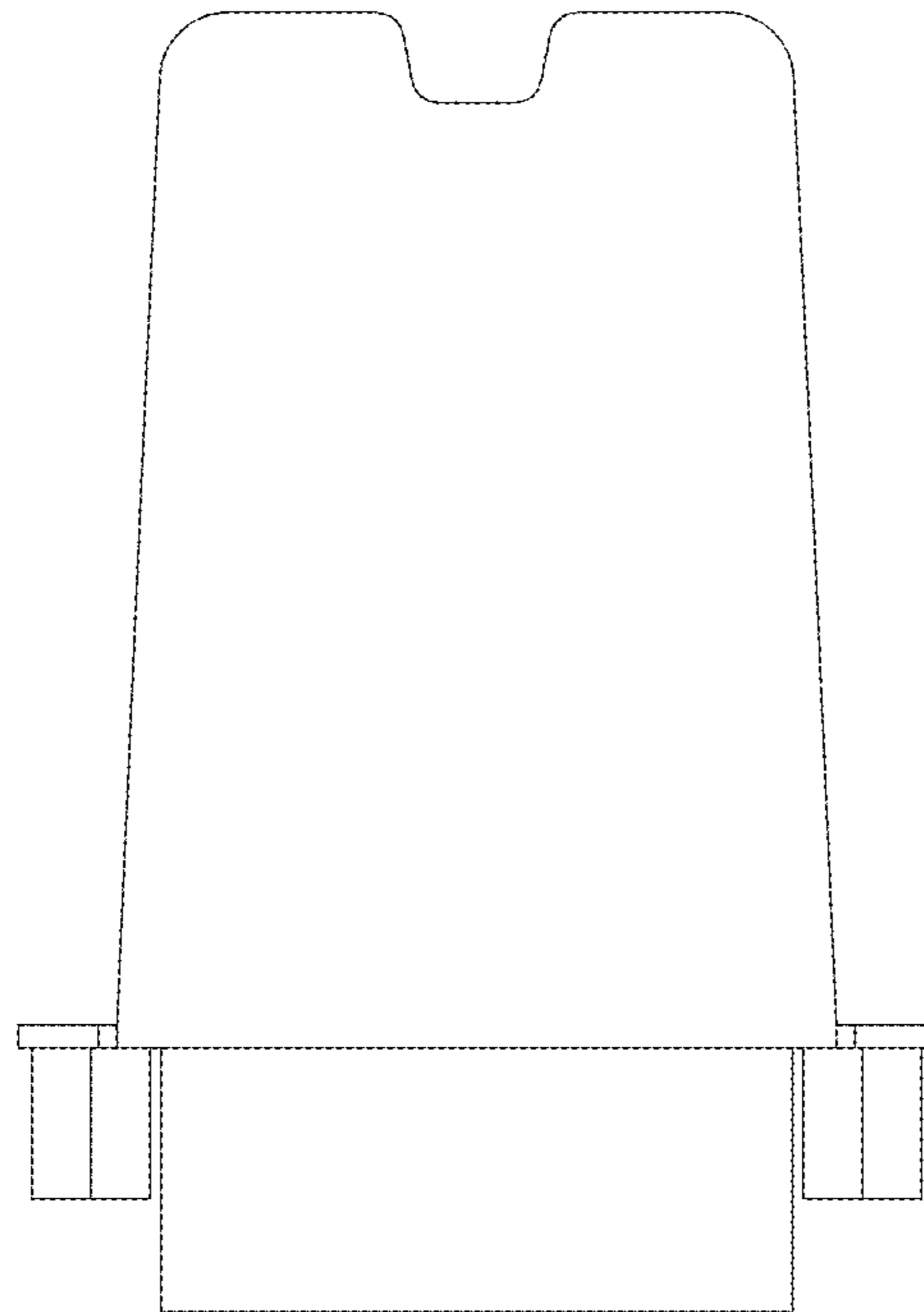


Fig. 6

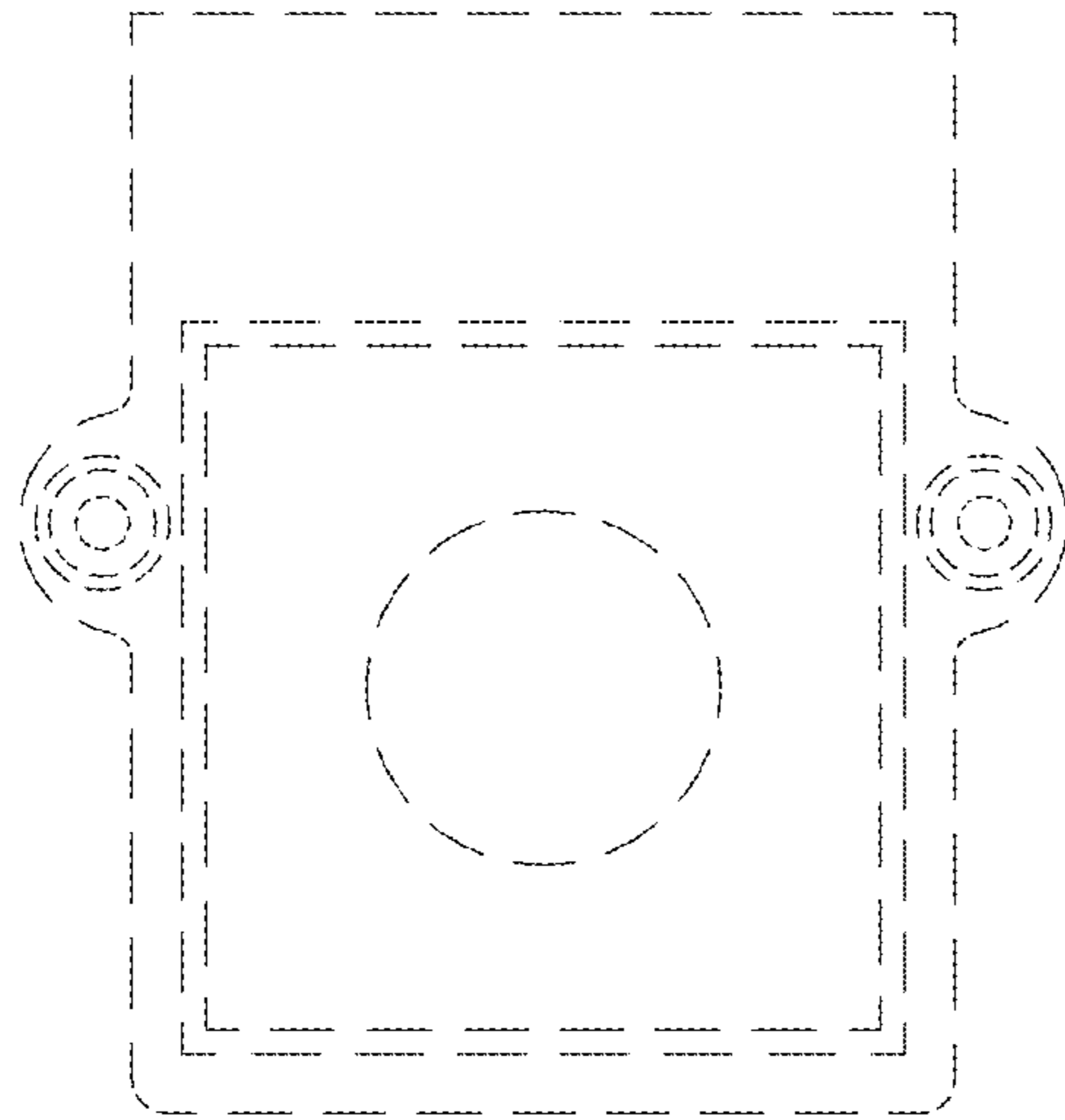


Fig. 7