



US00D828531S

(12) **United States Design Patent**
Angarita Duran

(10) **Patent No.:** **US D828,531 S**

(45) **Date of Patent:** **** Sep. 11, 2018**

- (54) **AIR FRESHENER TANK**
- (71) Applicant: **Liz Johanna Angarita Duran**, Playa de San Juan (ES)
- (72) Inventor: **Liz Johanna Angarita Duran**, Playa de San Juan (ES)
- (**) Term: **15 Years**
- (21) Appl. No.: **29/584,693**
- (22) Filed: **Nov. 16, 2016**
- (51) **LOC (11) Cl.** **28-99**
- (52) **U.S. Cl.**
USPC **D23/366**
- (58) **Field of Classification Search**
USPC D23/355-370, 386-388; D14/214-216
CPC Y10T 428/1366; B32B 2597/00; B01D 46/00; B01D 46/0004; B01D 27/04
See application file for complete search history.

- D535,378 S * 1/2007 Caserta D23/366
- D535,734 S * 1/2007 Caserta D23/366
- D544,592 S * 6/2007 Caserta D23/366
- D604,823 S * 11/2009 Schwartz D23/366
- D611,585 S * 3/2010 Gruenbacher D23/366
- D661,790 S * 6/2012 Majerowski D23/366
- D698,431 S * 1/2014 Garbusi D23/366

* cited by examiner

Primary Examiner — Brandon M Rosati
Assistant Examiner — John A Voytek
(74) *Attorney, Agent, or Firm* — Keith Swedo

(57) **CLAIM**

The ornamental design for an air freshener tank, as shown and described.

DESCRIPTION

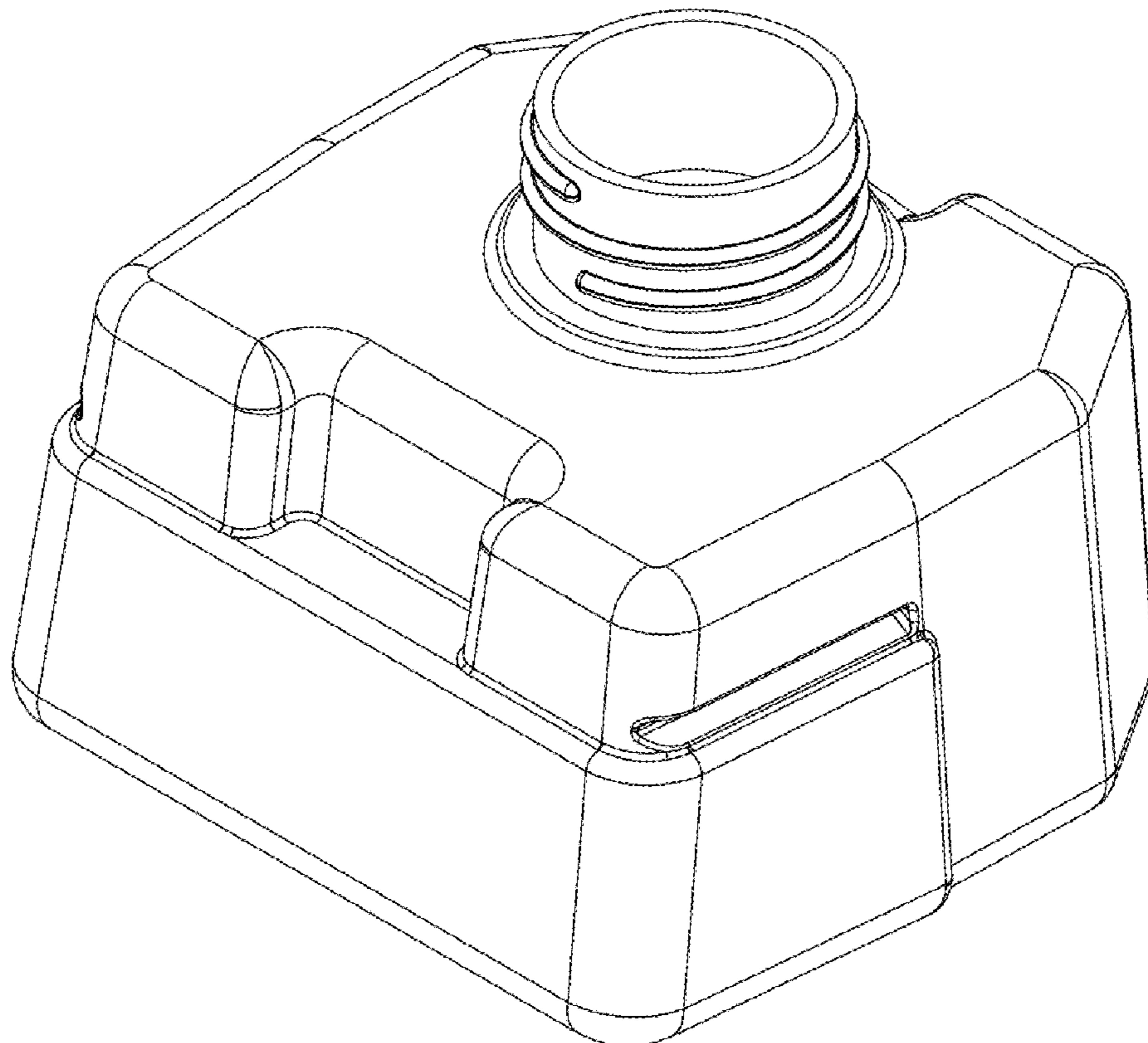
FIG. 1 is a top, right front perspective view of an air freshener tank;
FIG. 2 is a top, right rear perspective view thereof;
FIG. 3 is a front view thereof;
FIG. 4 is a rear view thereof;
FIG. 5 is a right side view thereof;
FIG. 6 is a top view thereof; and,
FIG. 7 is a top, left front perspective view thereof.

(56) **References Cited**

U.S. PATENT DOCUMENTS

- D465,019 S * 10/2002 Wu D23/366
- D520,128 S * 5/2006 Caserta D23/366

1 Claim, 7 Drawing Sheets



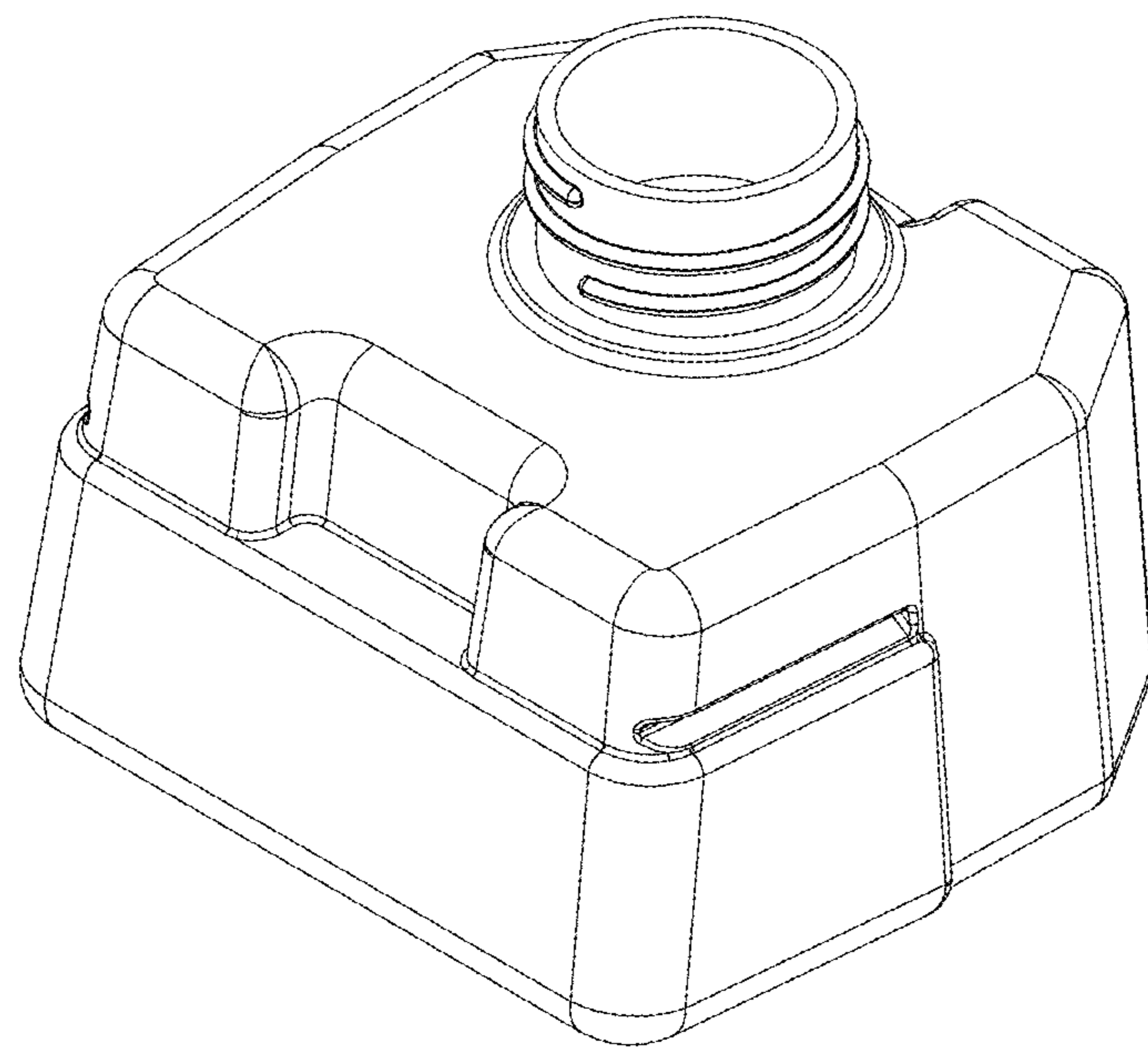


Fig. 1

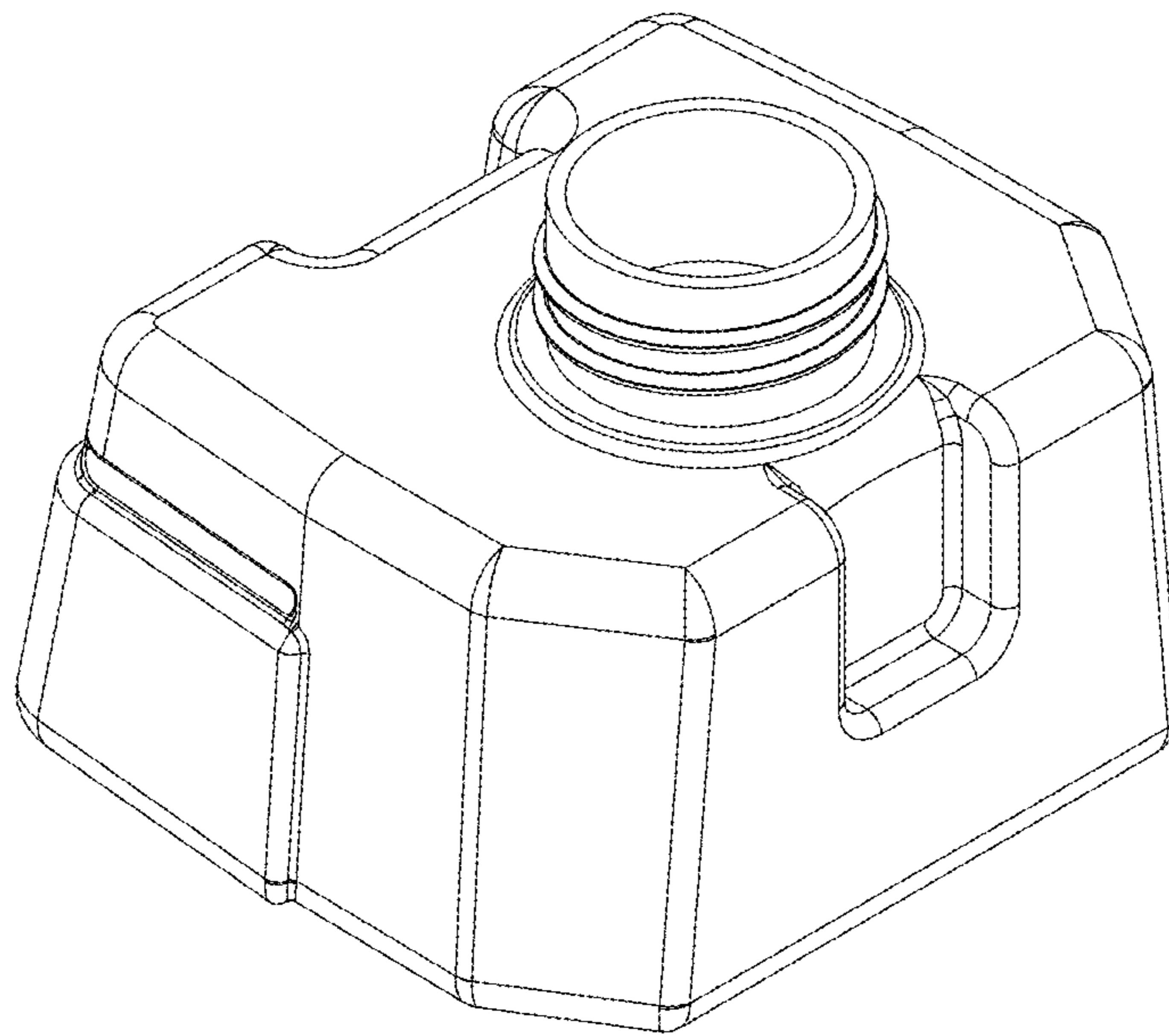


Fig. 2

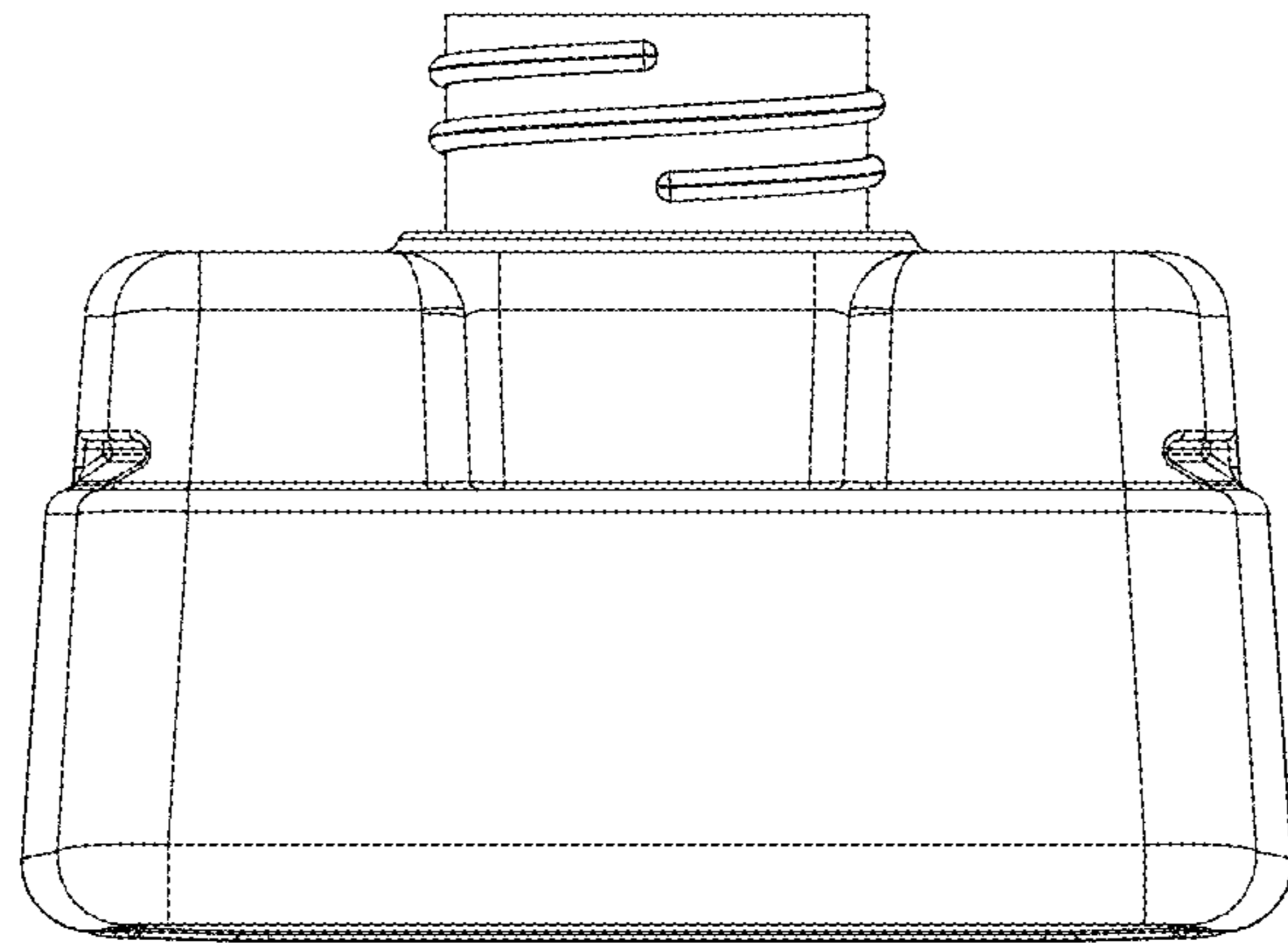


Fig. 3

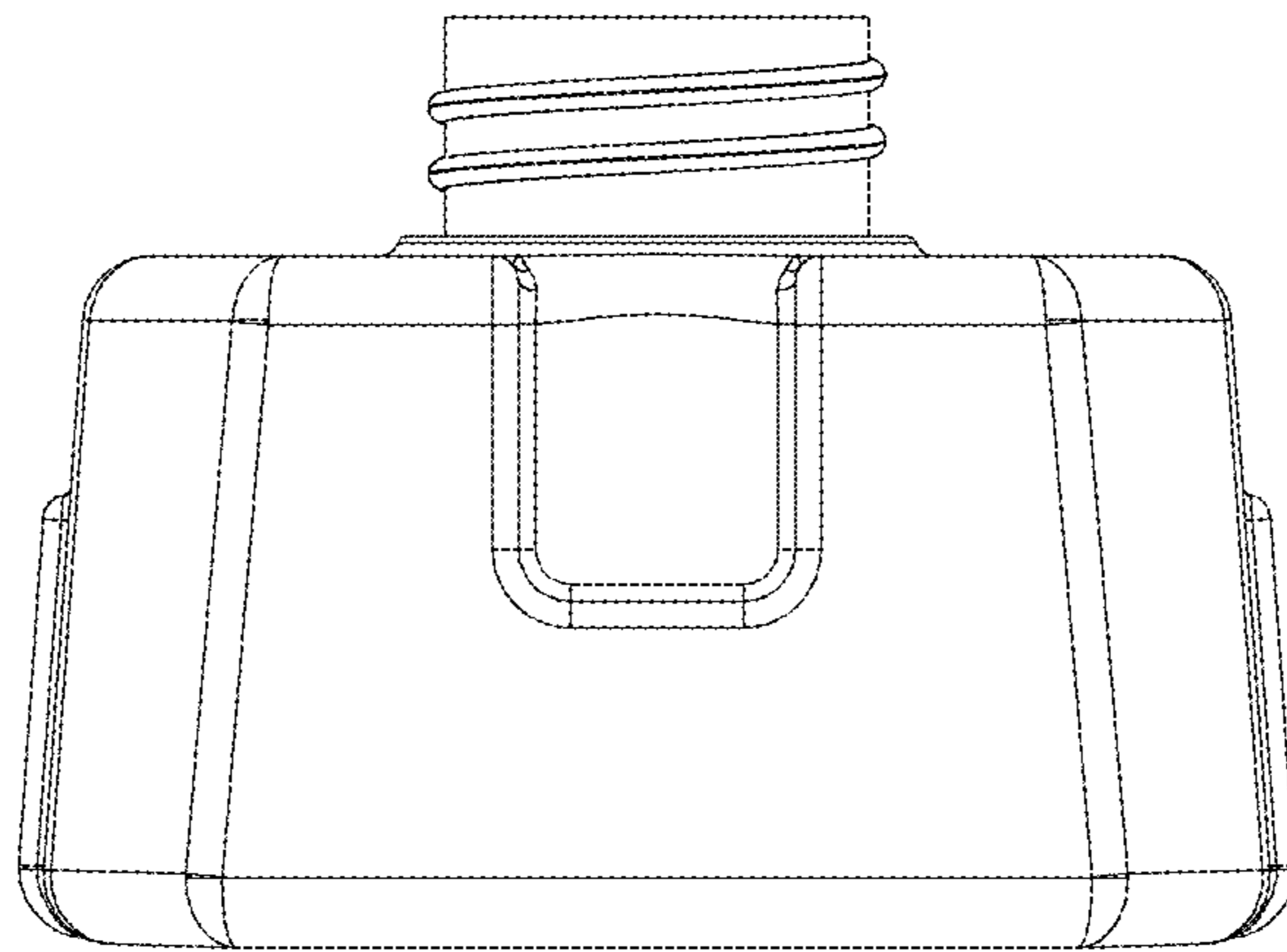


Fig. 4

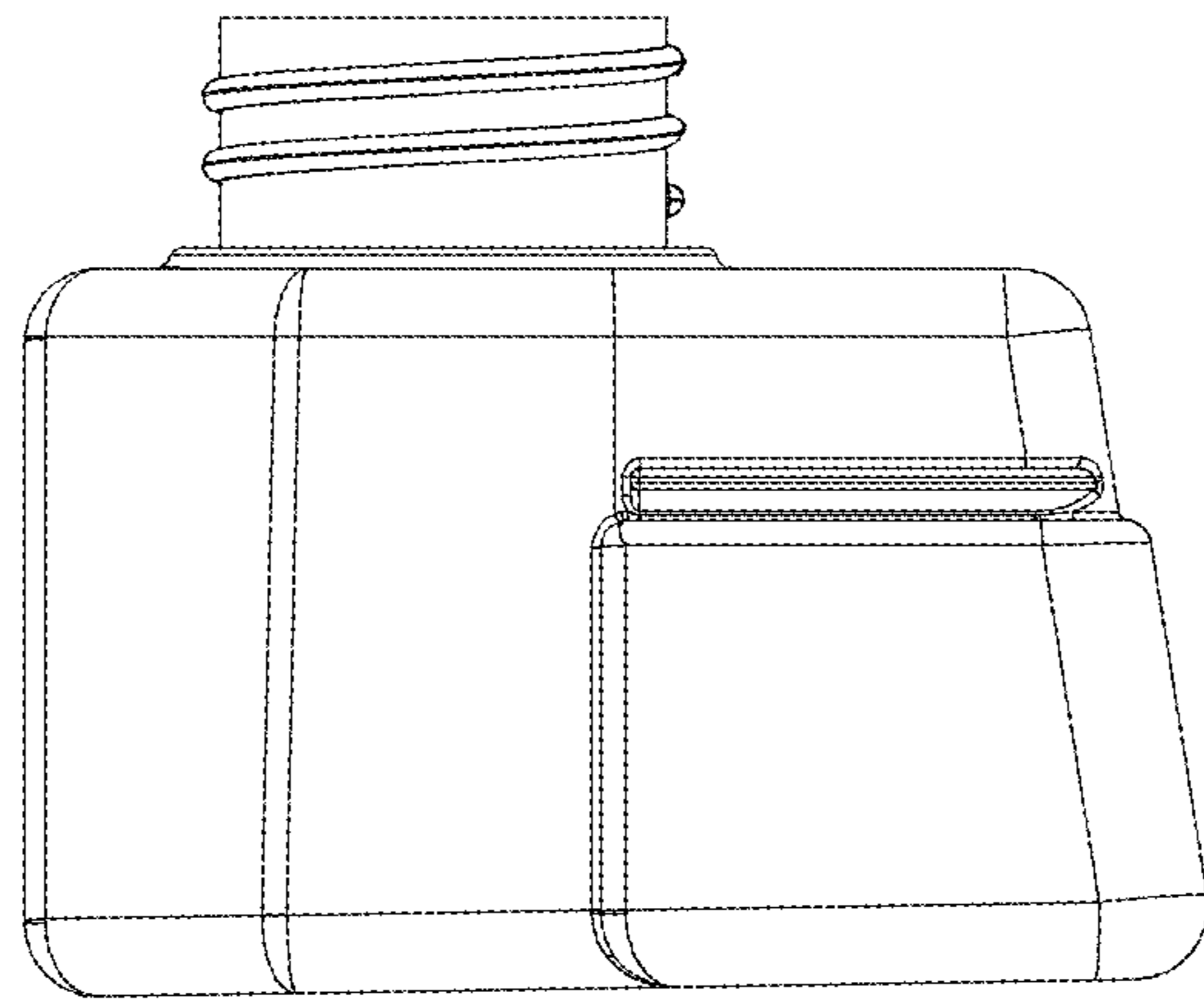


Fig. 5

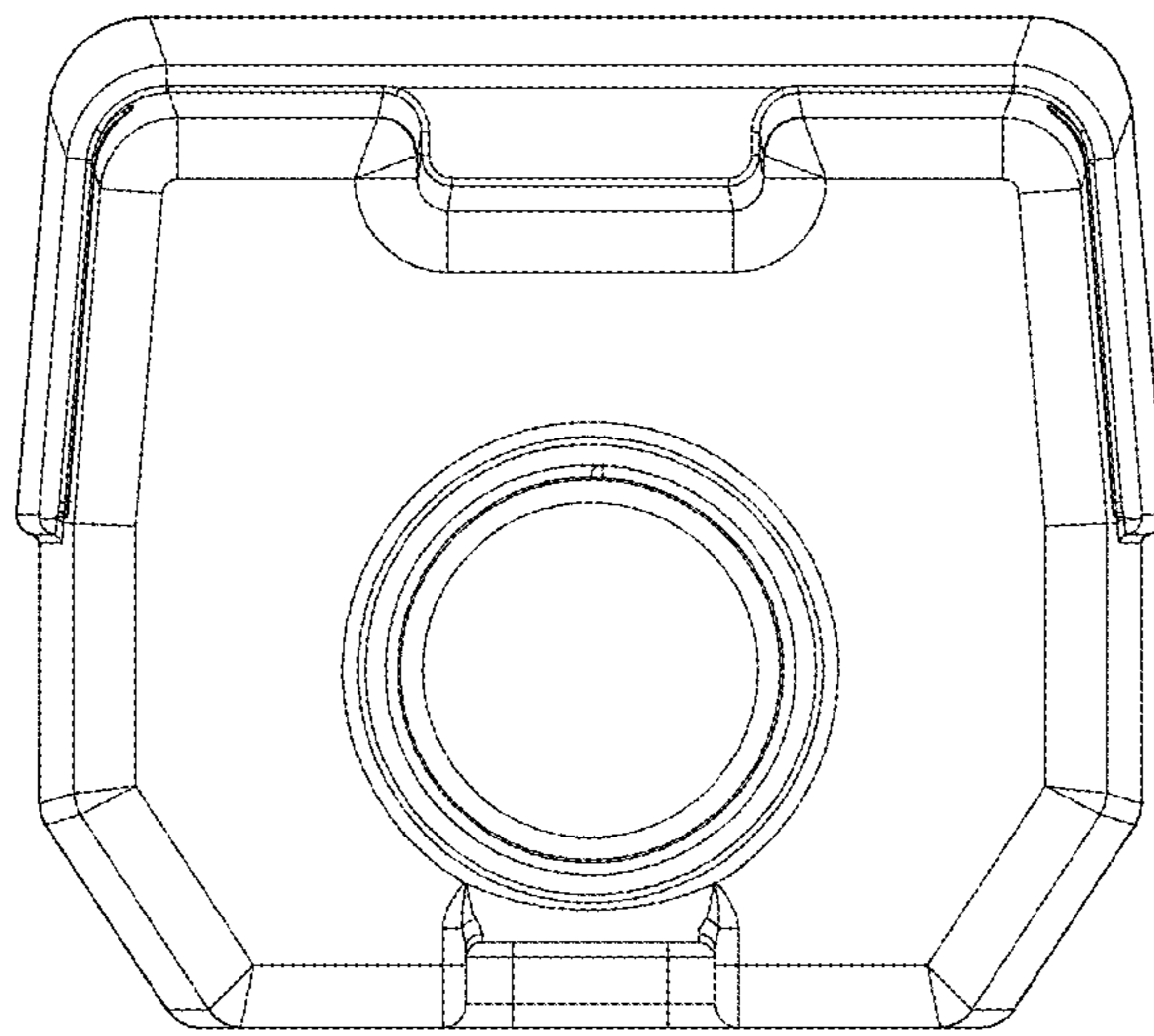


Fig. 6

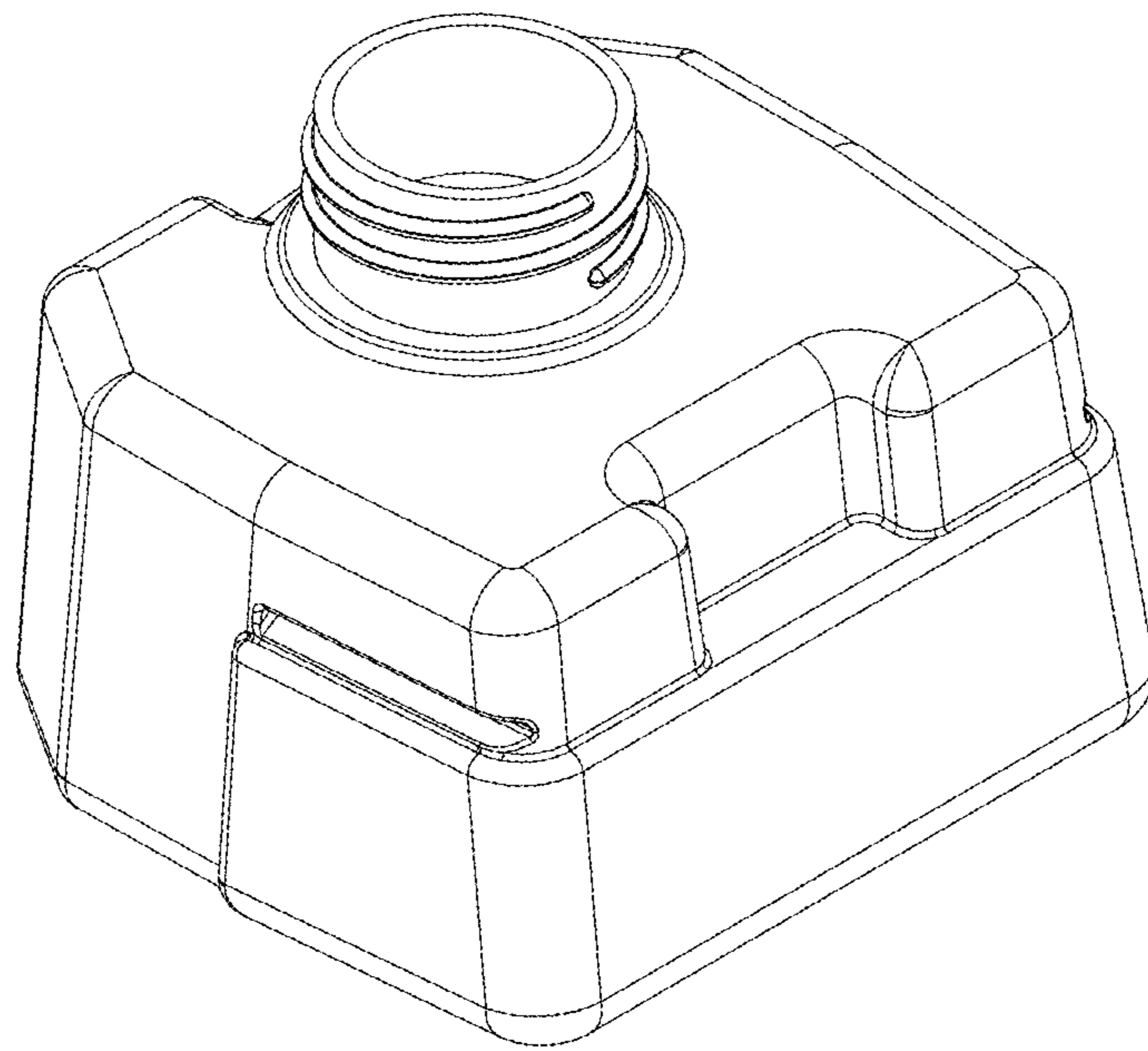


Fig. 7