



US00D828530S

(12) **United States Design Patent**
Brandenburg

(10) **Patent No.:** **US D828,530 S**

(45) **Date of Patent:** **** Sep. 11, 2018**

(54) **AIR FRESHENER CONE**

(71) Applicant: **Brandywine Product Group International, Inc.**, Wilmington, DE (US)

(72) Inventor: **Kyle Brandenburg**, Middletown, DE (US)

(73) Assignee: **Brandywine Product Group International, Inc.**, Wilmington, DE (US)

(**) Term: **15 Years**

(21) Appl. No.: **29/583,074**

(22) Filed: **Nov. 2, 2016**

(51) **LOC (11) Cl.** **28-99**

(52) **U.S. Cl.**
USPC **D23/366**

(58) **Field of Classification Search**
USPC D23/355-370, 386-388; D11/11, 86, 87, D11/101, 181, 208, 212, 228; D8/356, D8/396; D2/853, 935, 946
CPC ... A61L 9/03; A61L 9/12; A61F 9/026; B01D 46/0004; G09F 7/22; G09F 19/08
See application file for complete search history.

(56) **References Cited**

U.S. PATENT DOCUMENTS

- D548,317 S * 8/2007 Newton D23/366
- D588,687 S 3/2009 Drucker et al.
- D595,829 S 7/2009 Drucker et al.
- D597,192 S 7/2009 Drucker et al.
- D608,436 S 1/2010 Drucker et al.
- D629,880 S * 12/2010 Hisey D23/366

(Continued)

Primary Examiner — Brandon M Rosati

Assistant Examiner — John A Voytek

(74) *Attorney, Agent, or Firm* — Rogowski Law LLC

(57) **CLAIM**

The ornamental design for an air freshener cone, as shown and described.

DESCRIPTION

FIG. 1 is a right front perspective view of an air freshener cone in a closed configuration;

FIG. 2 is a left bottom perspective view of the air freshener cone of FIG. 1;

FIG. 3 is a top plan view of the air freshener cone of FIG. 1;

FIG. 4 is a bottom plan view of the air freshener cone of FIG. 1;

FIG. 5 is a front elevational view of the air freshener cone of FIG. 1;

FIG. 6 is a rear elevational view of the air freshener cone of FIG. 1;

FIG. 7 is a right side elevational view of the air freshener cone of FIG. 1;

FIG. 8 is a left side elevational view of the air freshener cone of FIG. 1;

FIG. 9 is a right front perspective view of the air freshener cone of FIG. 1 in an open configuration;

FIG. 10 is a left bottom perspective view of the air freshener cone of FIG. 9;

FIG. 11 is a top plan view of the air freshener cone of FIG. 9;

FIG. 12 is a bottom plan view of the air freshener cone of FIG. 9;

FIG. 13 is a front elevational view of the air freshener cone of FIG. 9;

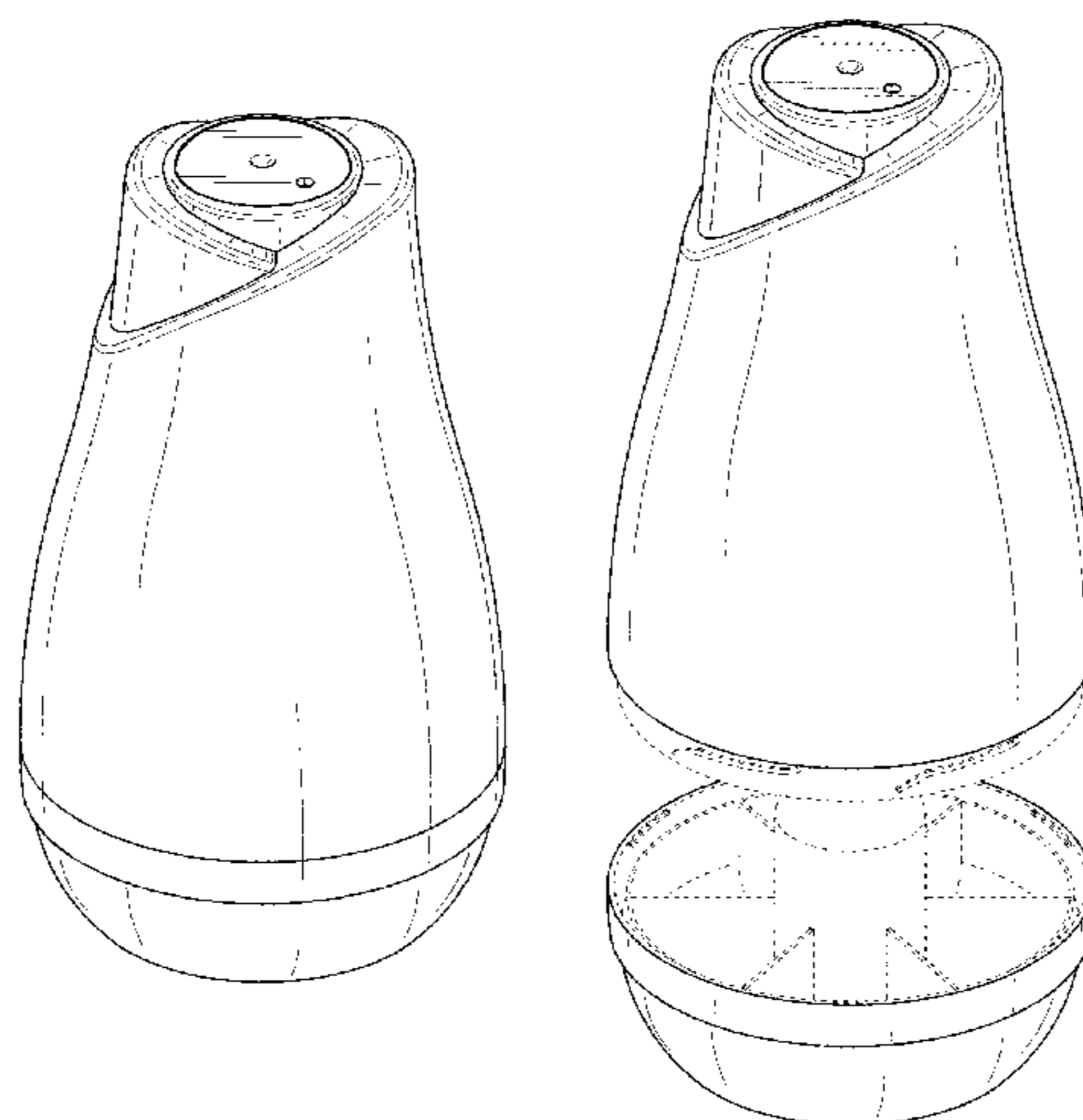
FIG. 14 is a rear elevational view of the air freshener cone of FIG. 9;

FIG. 15 is a right side elevational view of the air freshener cone of FIG. 9; and,

FIG. 16 is a left side elevational view of the air freshener cone of FIG. 9.

The broken lines depict environmental subject matter only and form no part of the claimed design.

1 Claim, 8 Drawing Sheets



(56)

References Cited

U.S. PATENT DOCUMENTS

D632,771 S	2/2011	Abbondanzio et al.	
D632,772 S	2/2011	Abbondanzio et al.	
D632,773 S	2/2011	Abbondanzio et al.	
D633,190 S	2/2011	Abbondanzio et al.	
D637,274 S *	5/2011	Chan	D23/364
D646,768 S *	10/2011	Chan	D23/364
D647,187 S *	10/2011	Chan	D23/364
D675,308 S	1/2013	Freeborn et al.	
D675,309 S	1/2013	Freeborn et al.	
D689,998 S *	9/2013	Carbone	D23/366
D692,116 S *	10/2013	Gordon	D23/366
D713,517 S *	9/2014	Dodge	D23/366
D715,910 S *	10/2014	Lin	A61L 9/03 D23/366

* cited by examiner

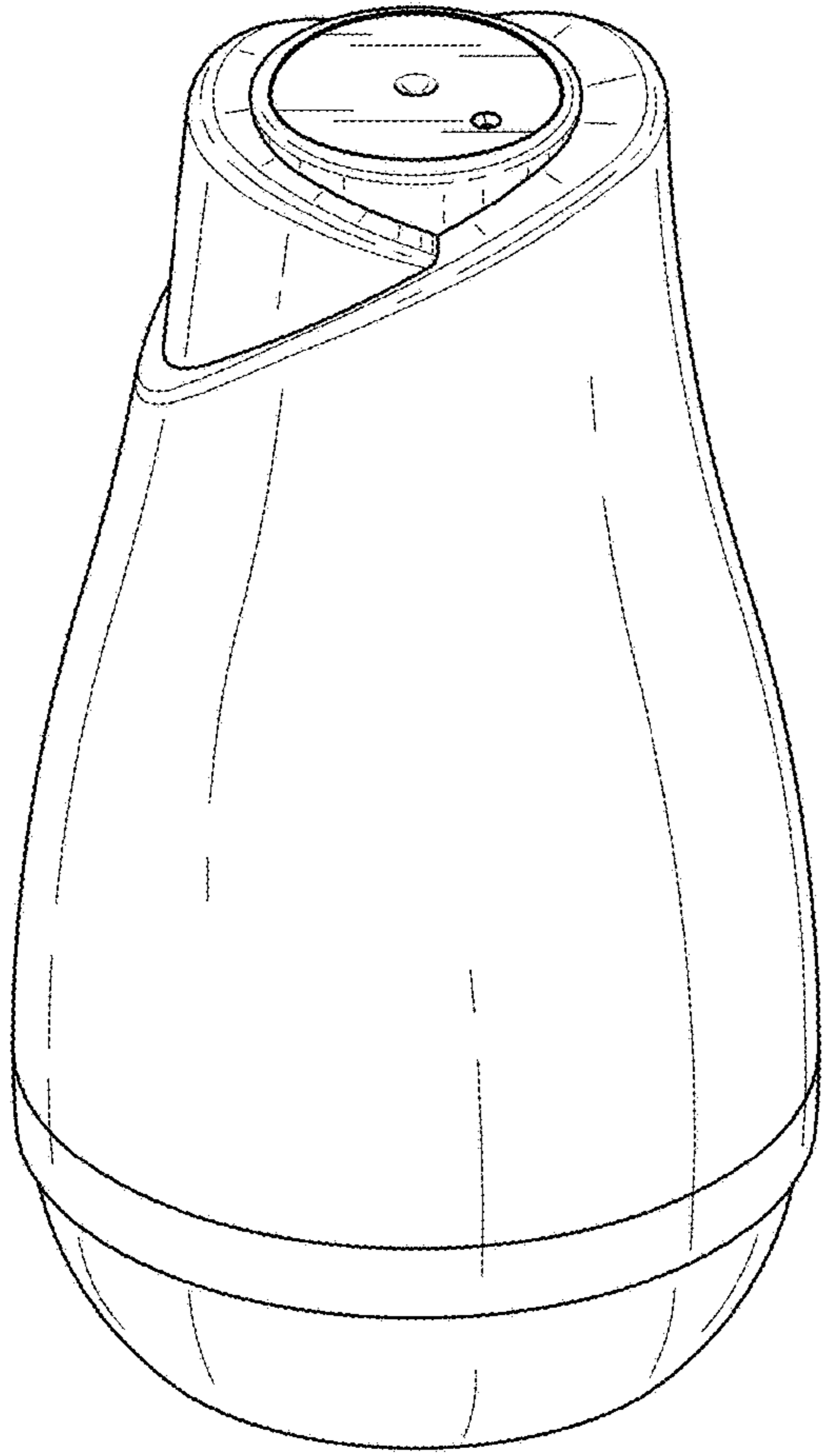


FIG. 1

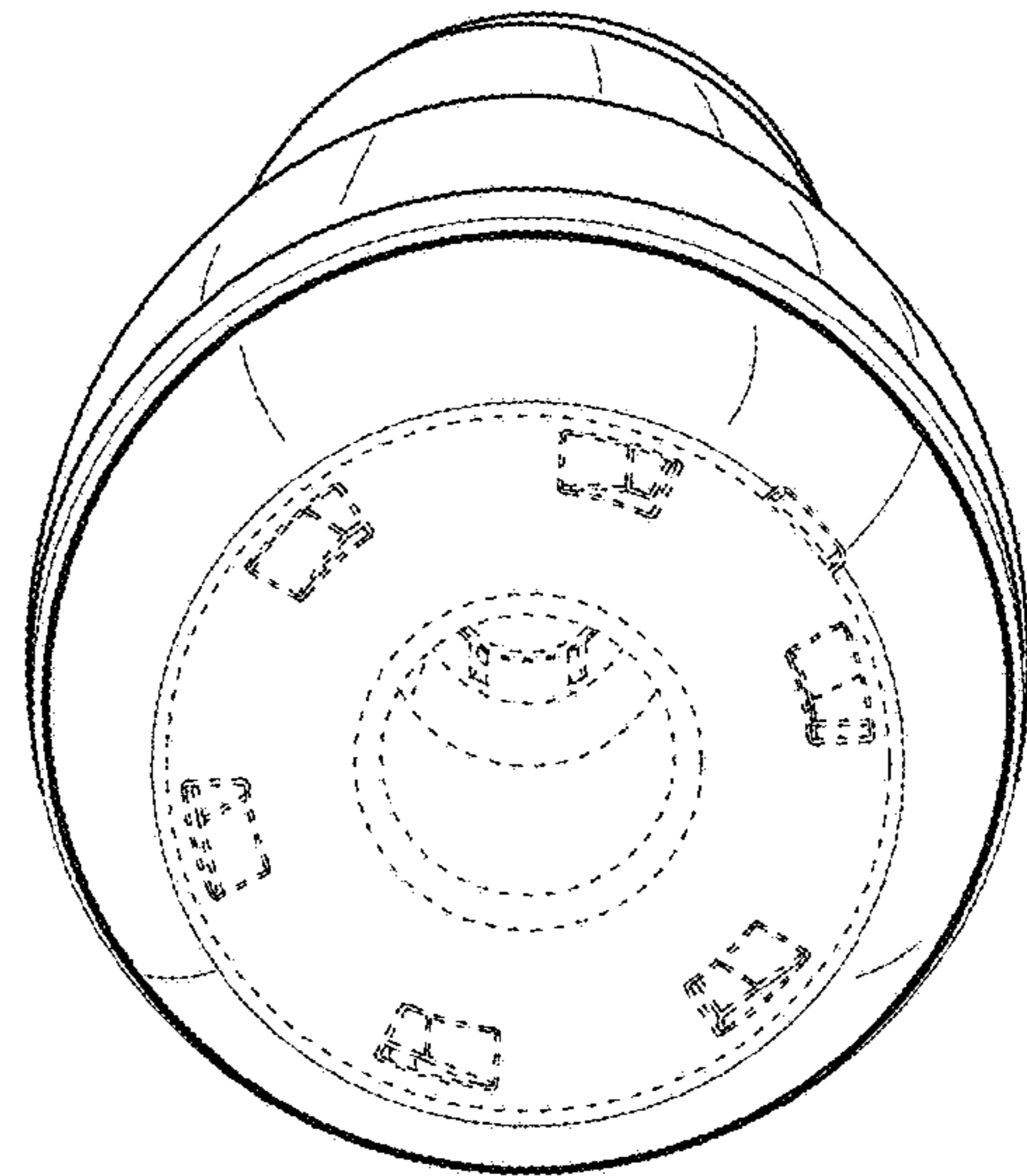


FIG. 2

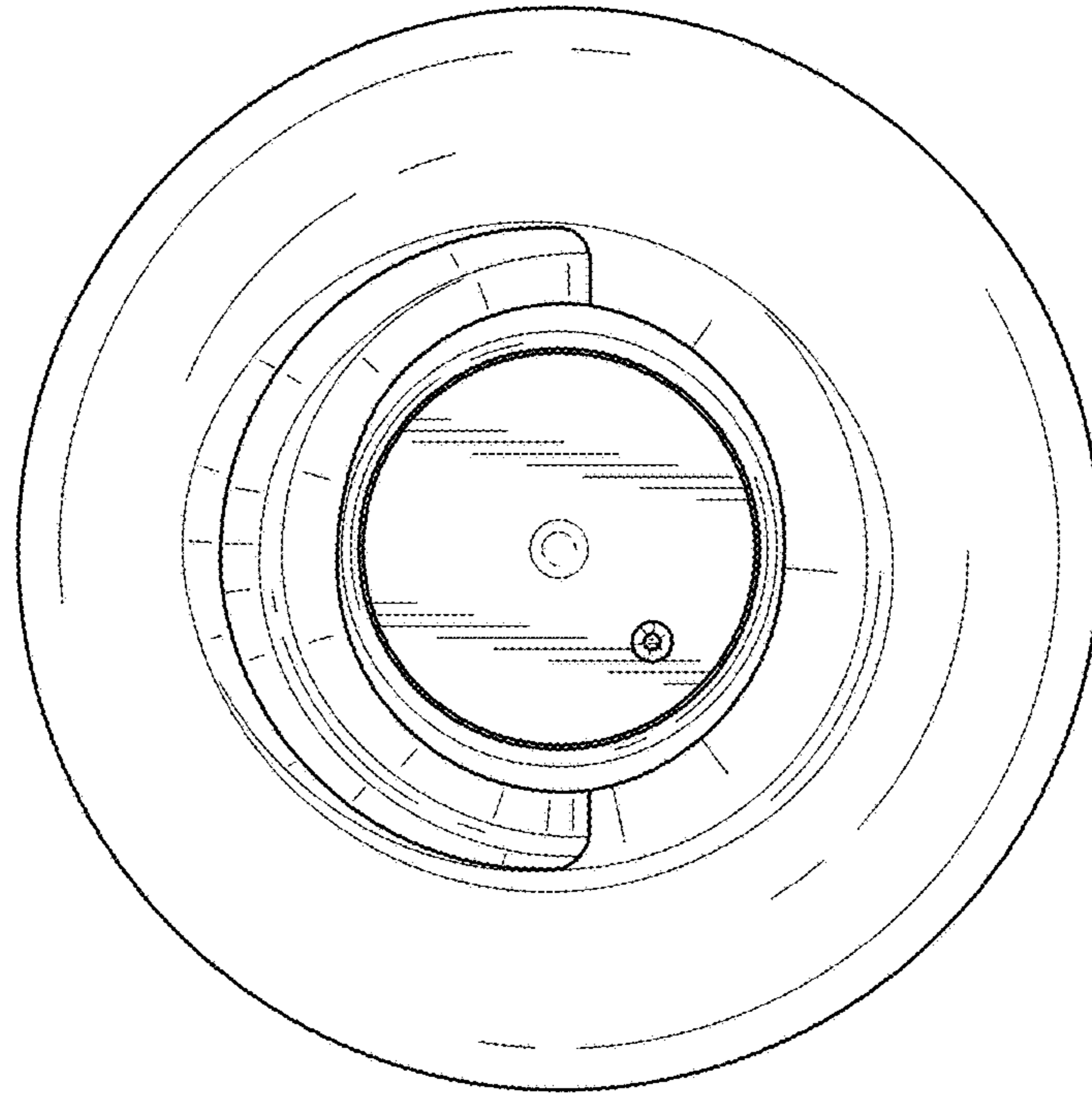


FIG. 3

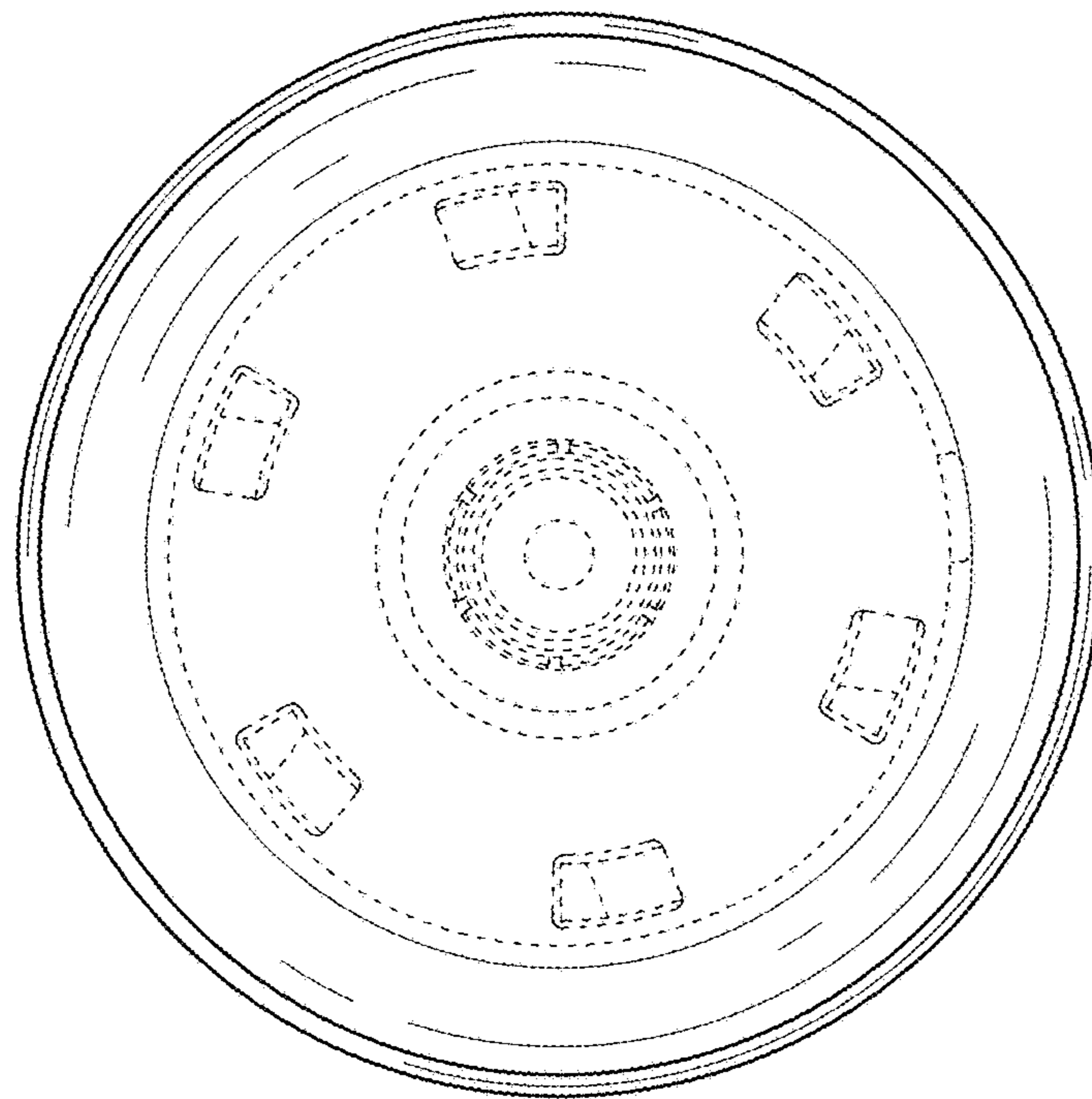


FIG. 4

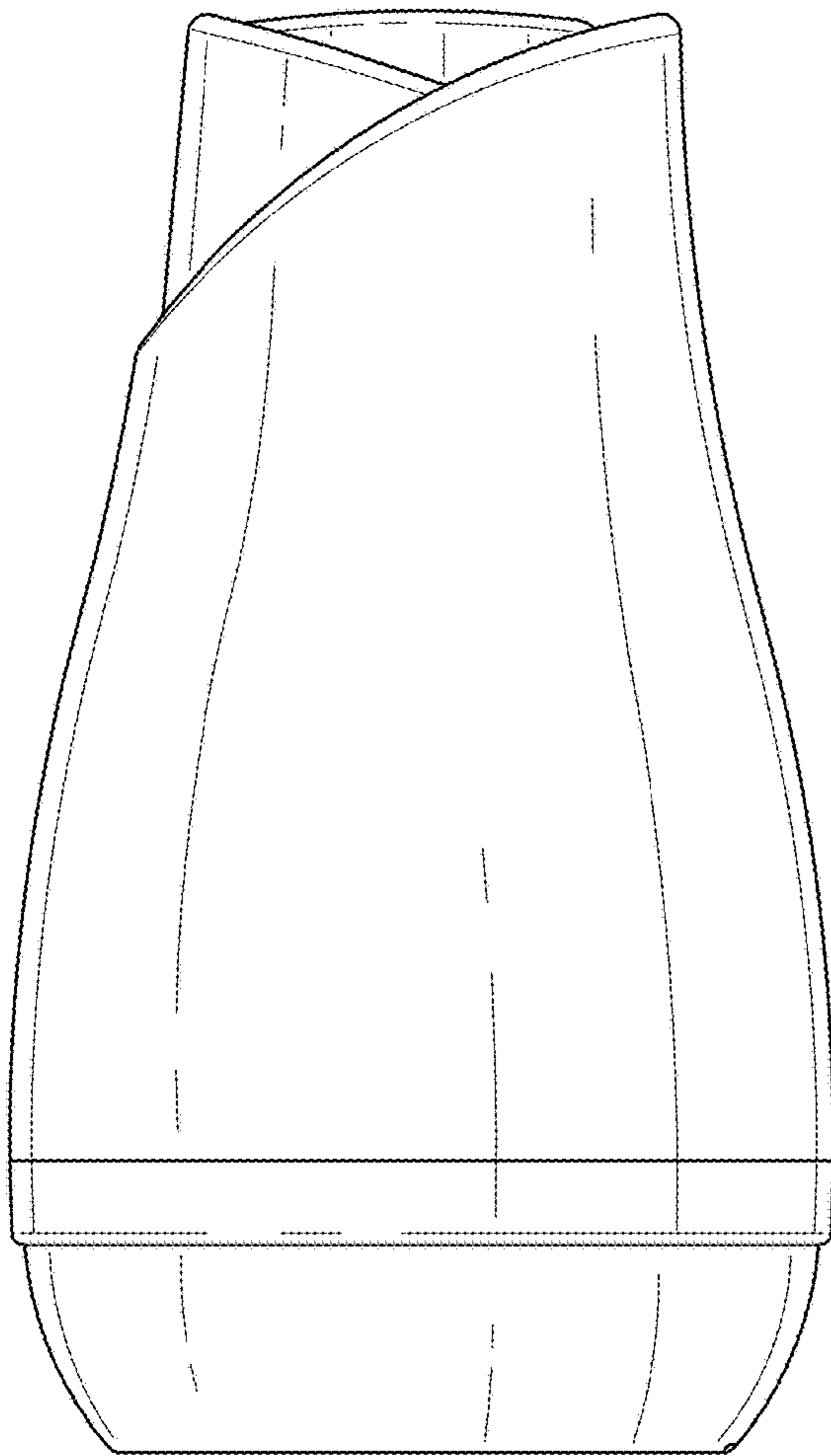


FIG. 5

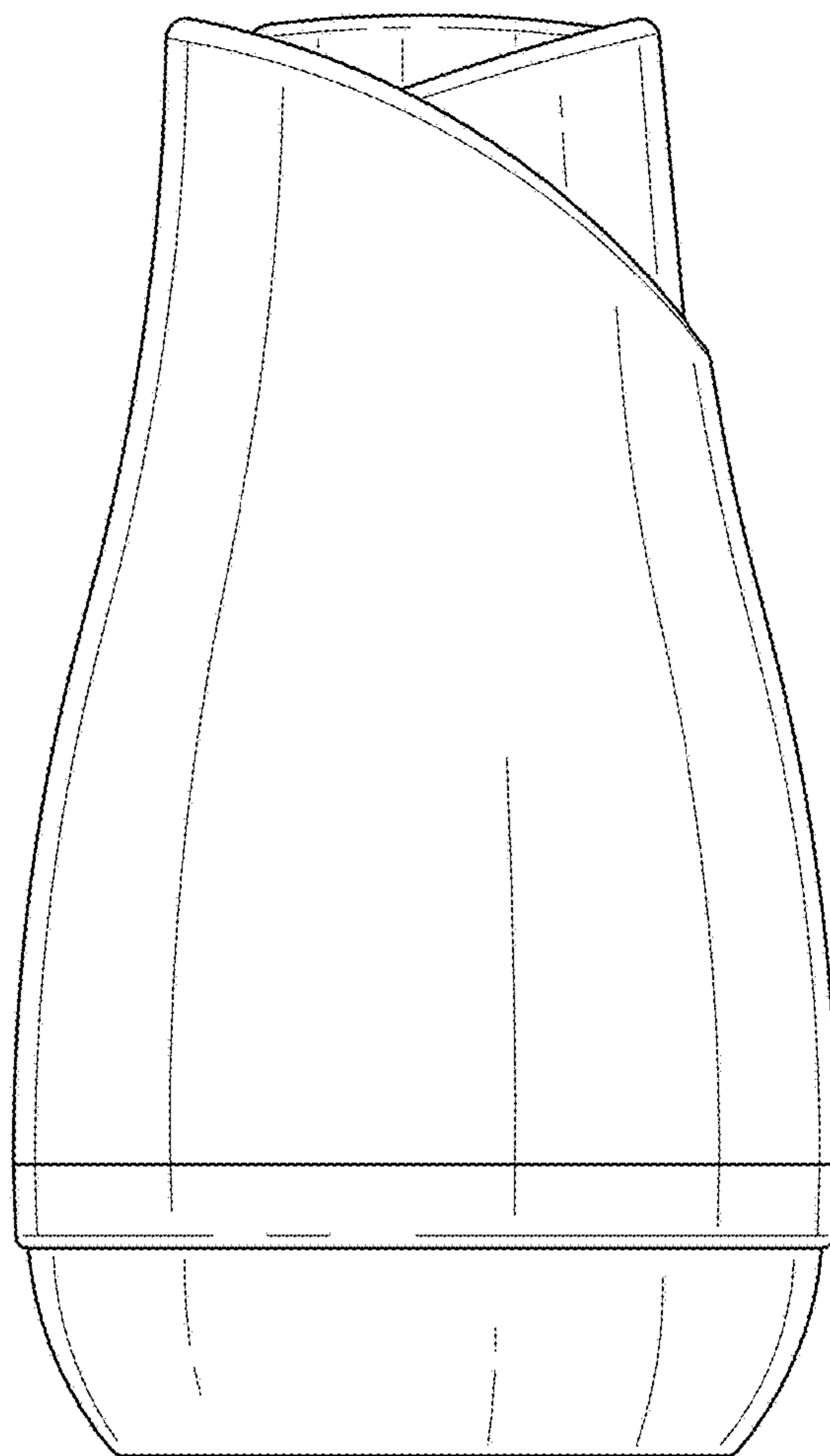


FIG. 6

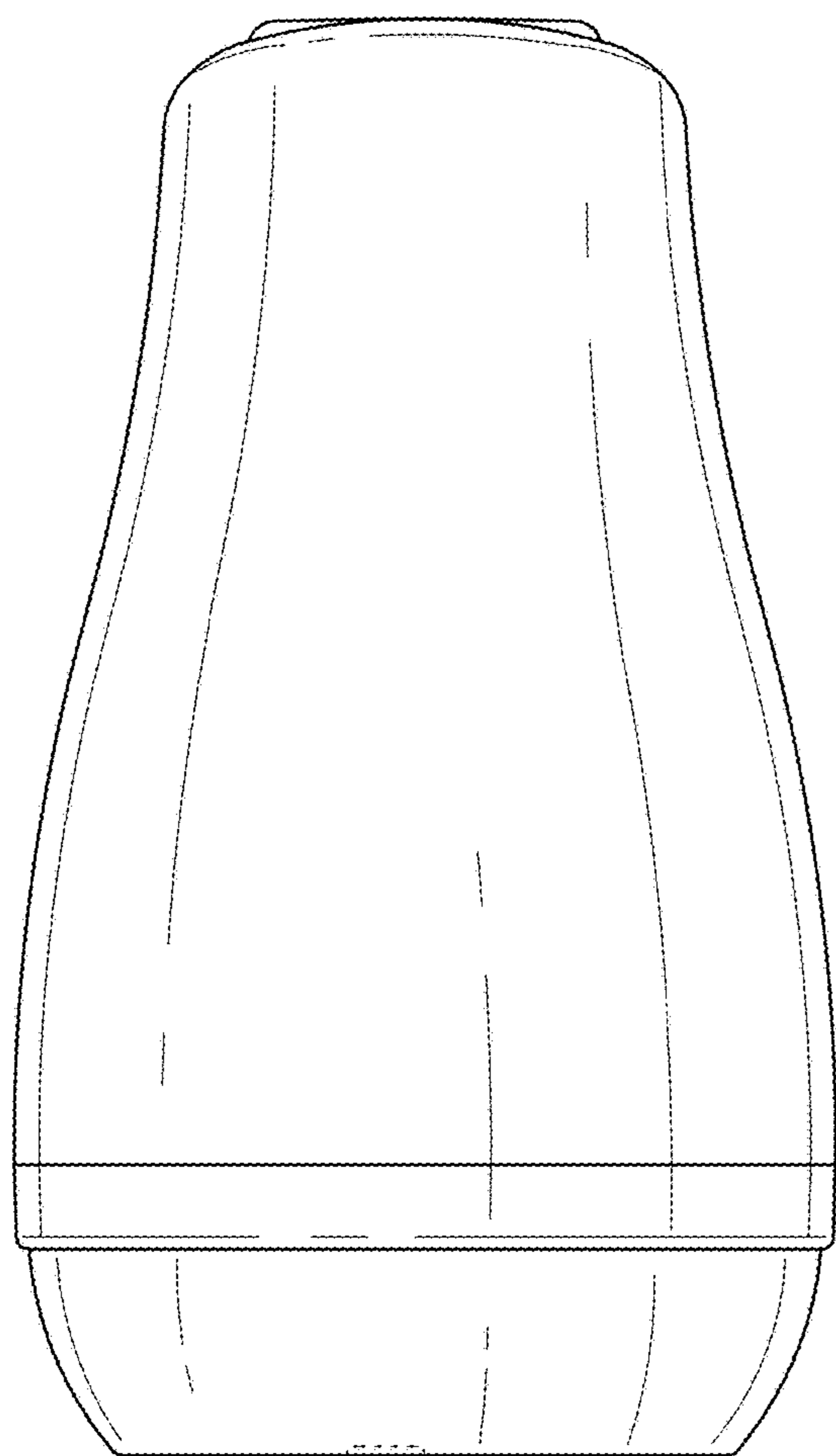


FIG. 7

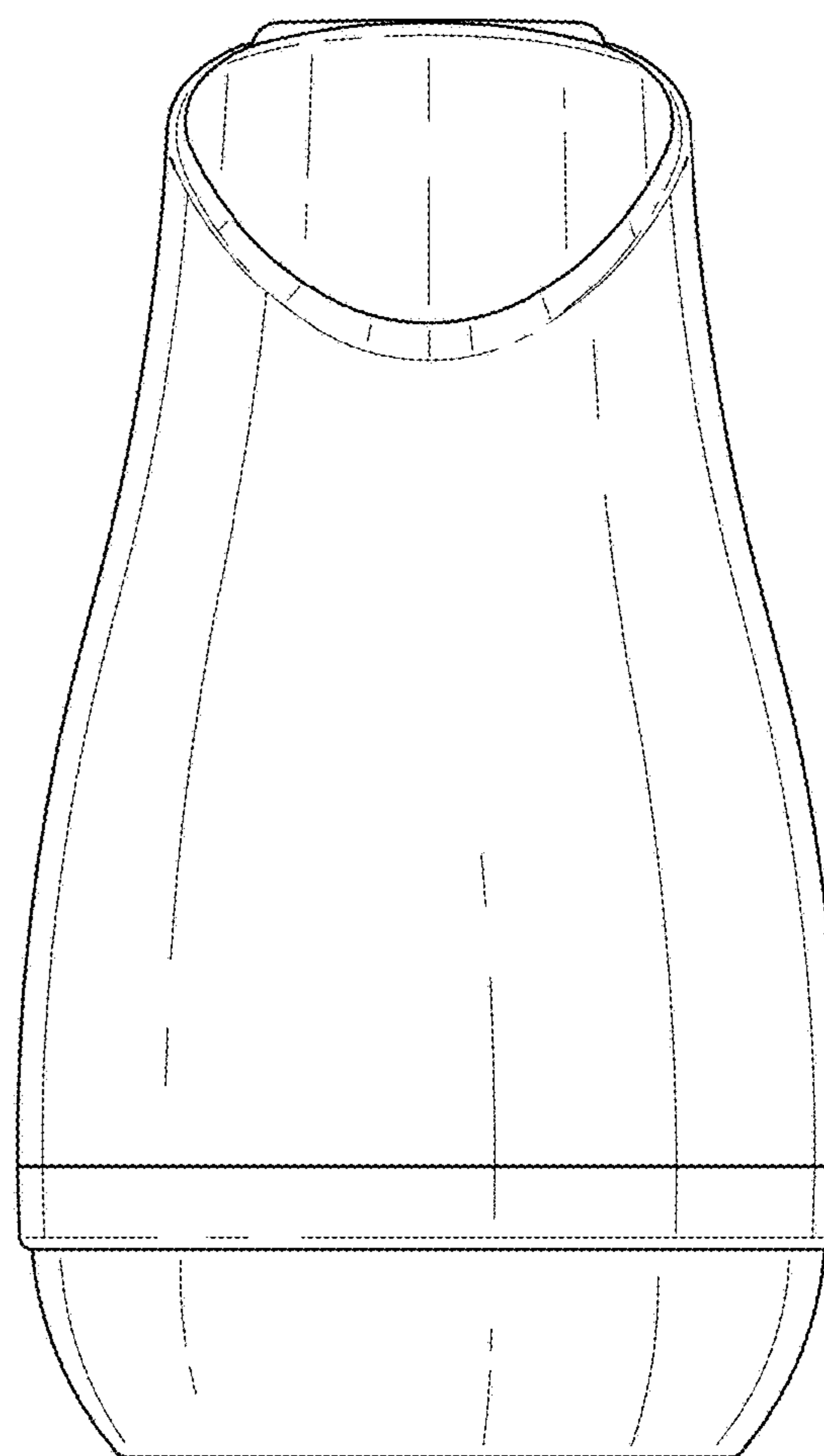


FIG. 8

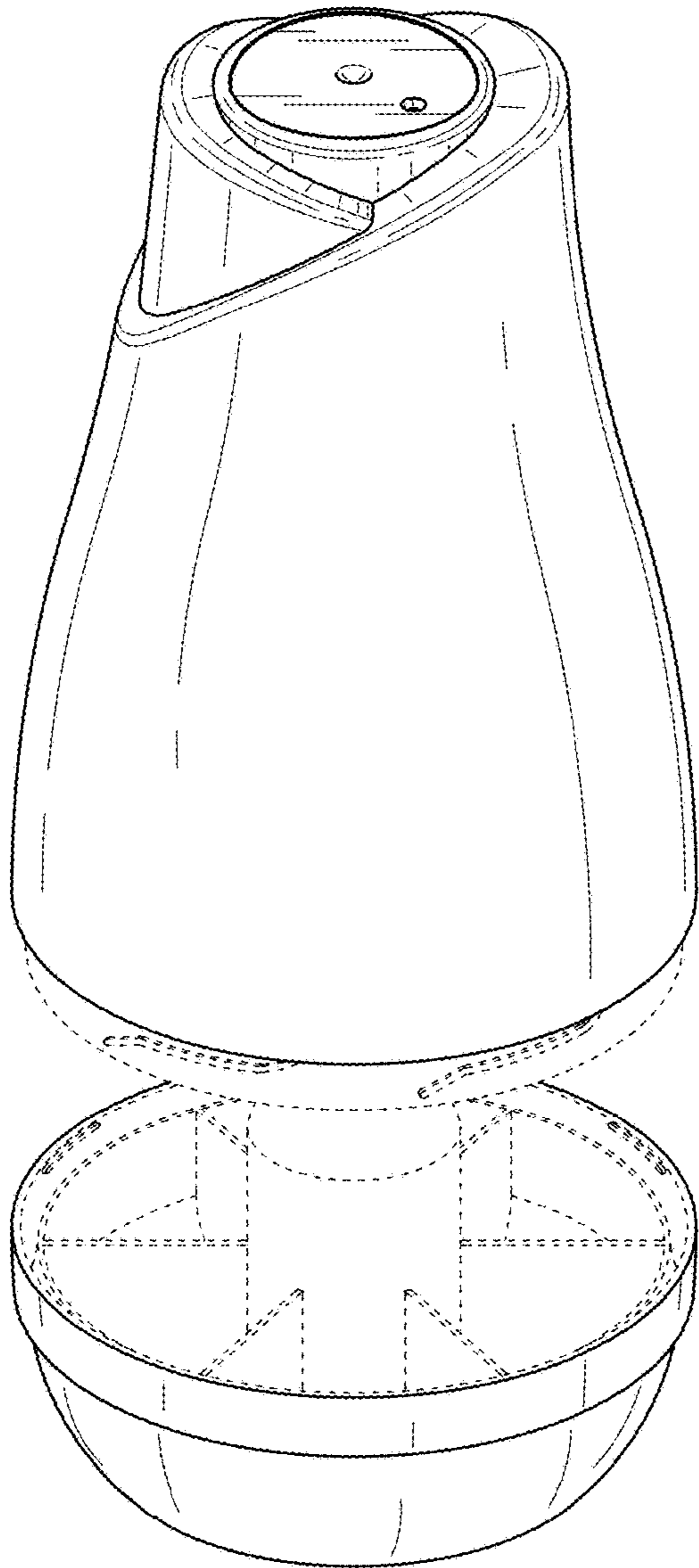


FIG. 9

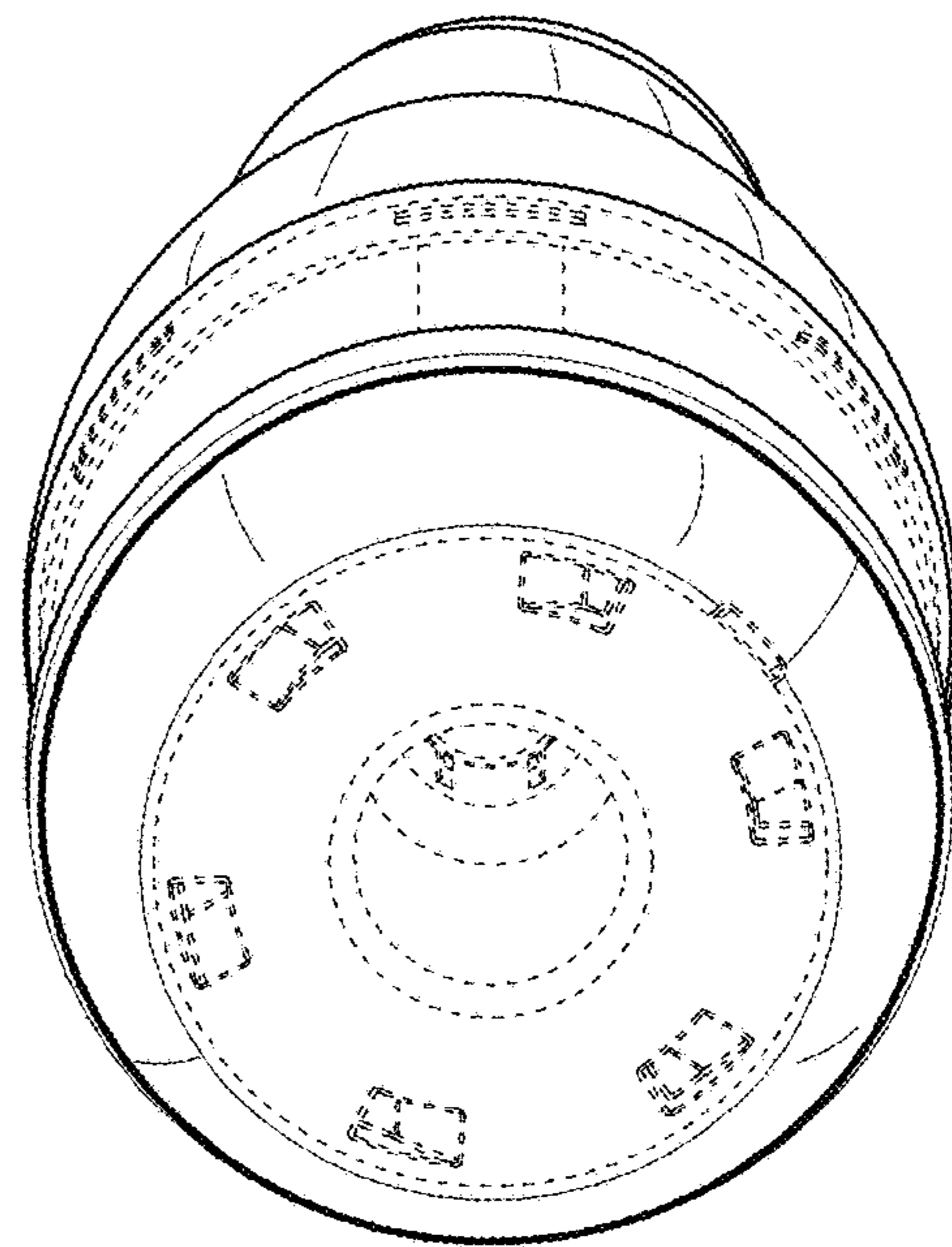


FIG. 10

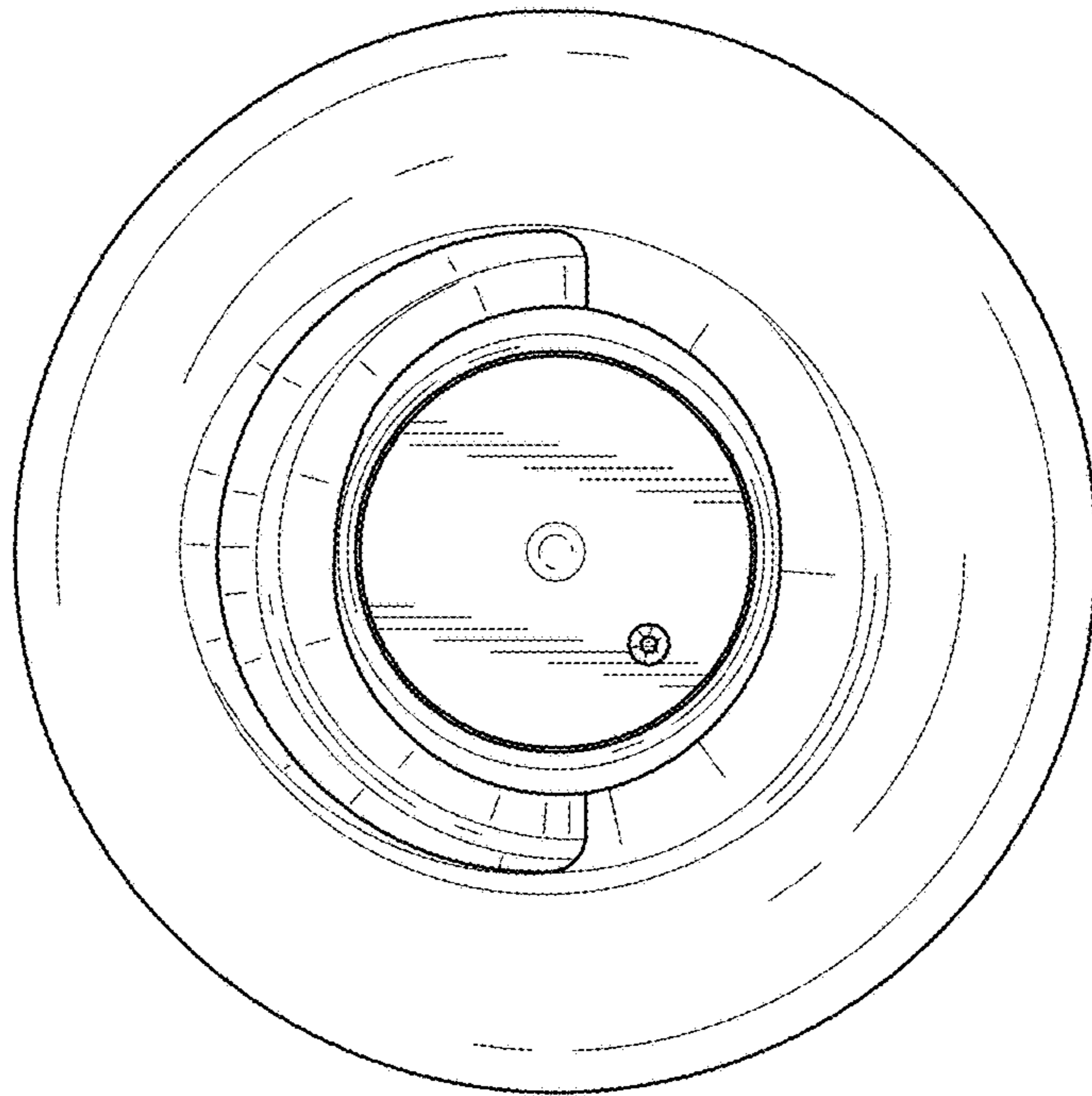


FIG. 11

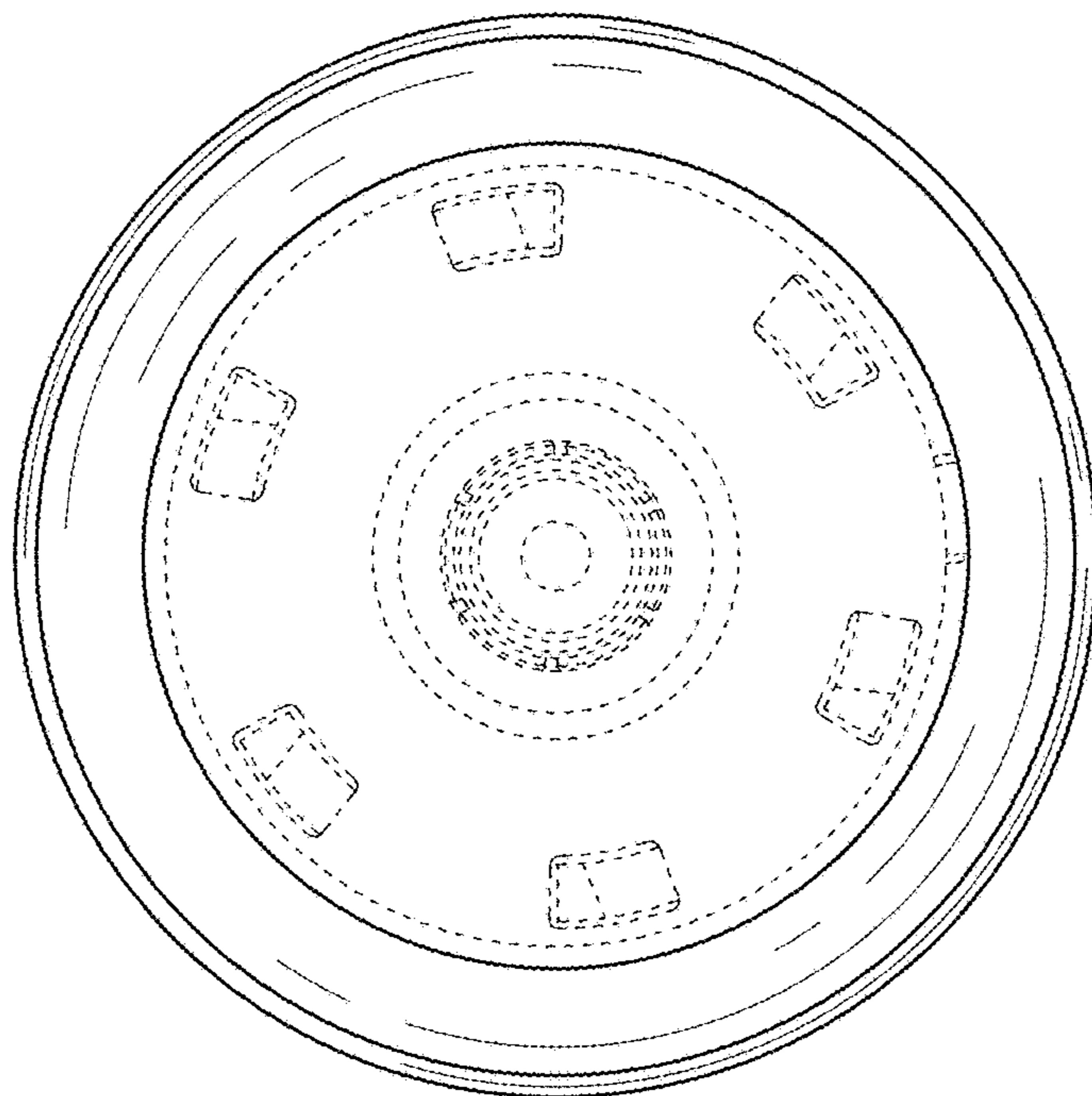


FIG. 12

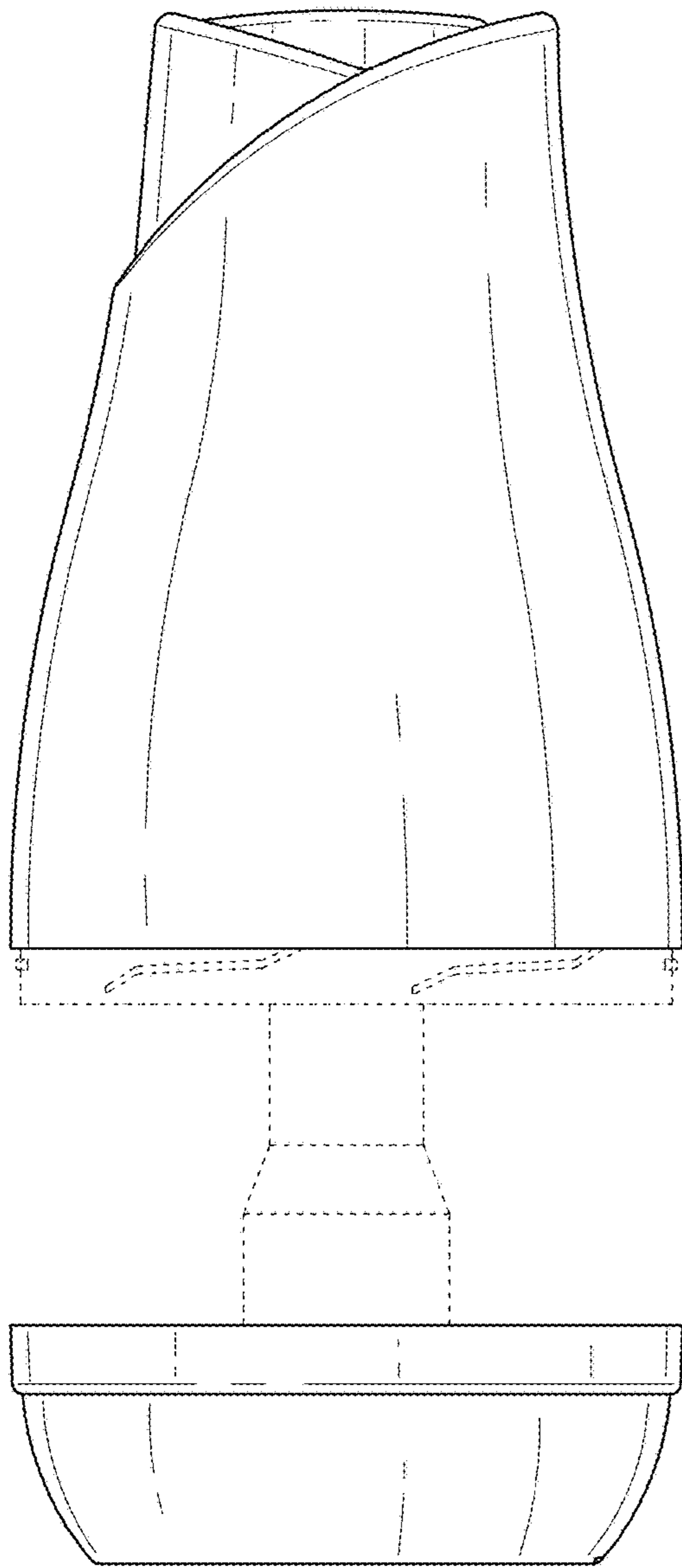


FIG. 13

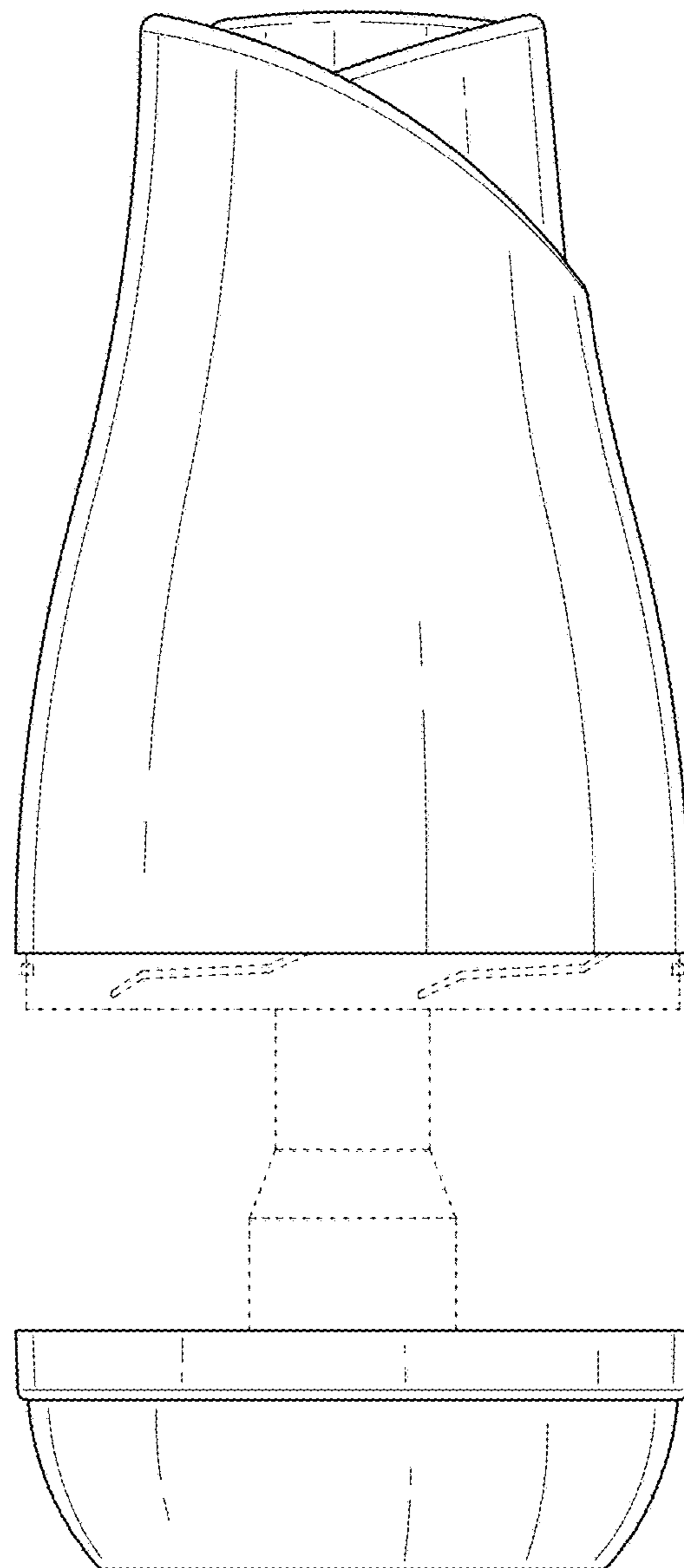


FIG. 14

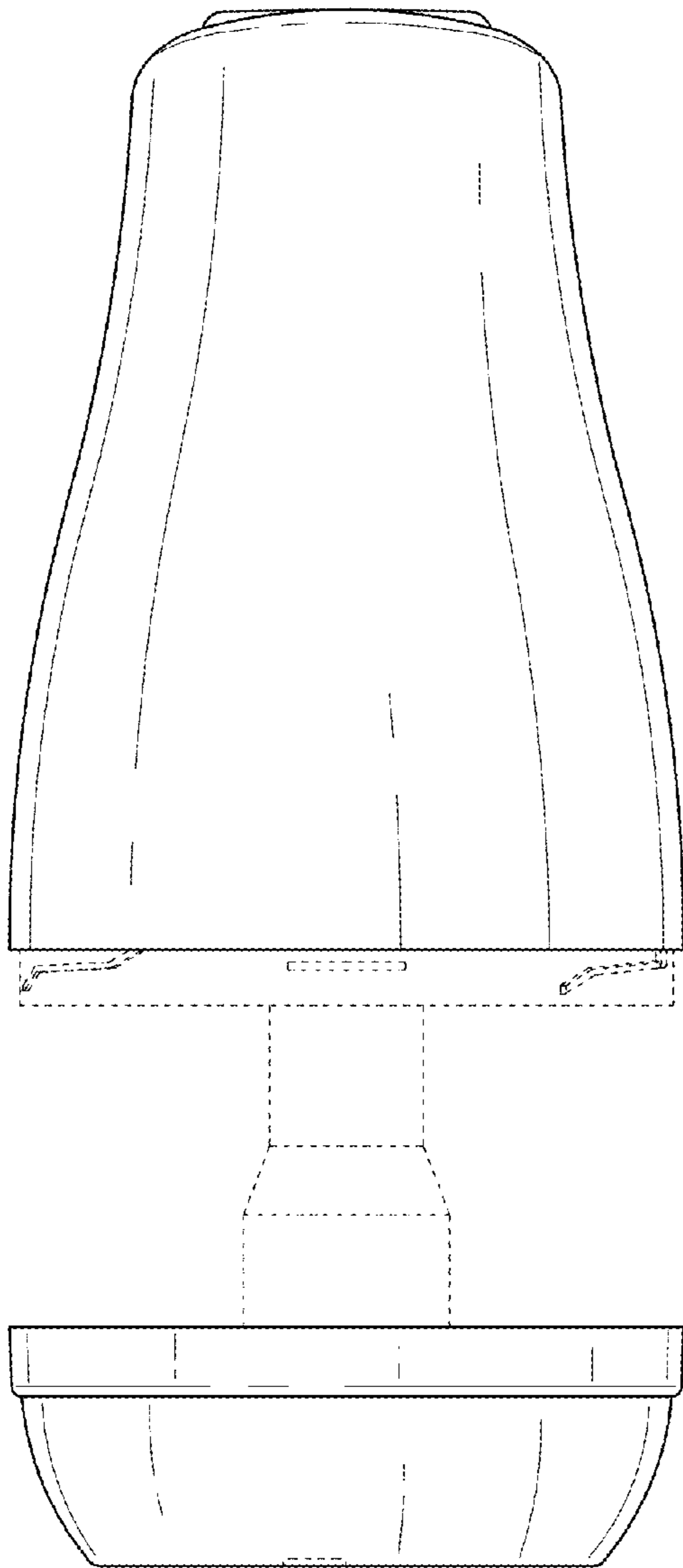


FIG. 15

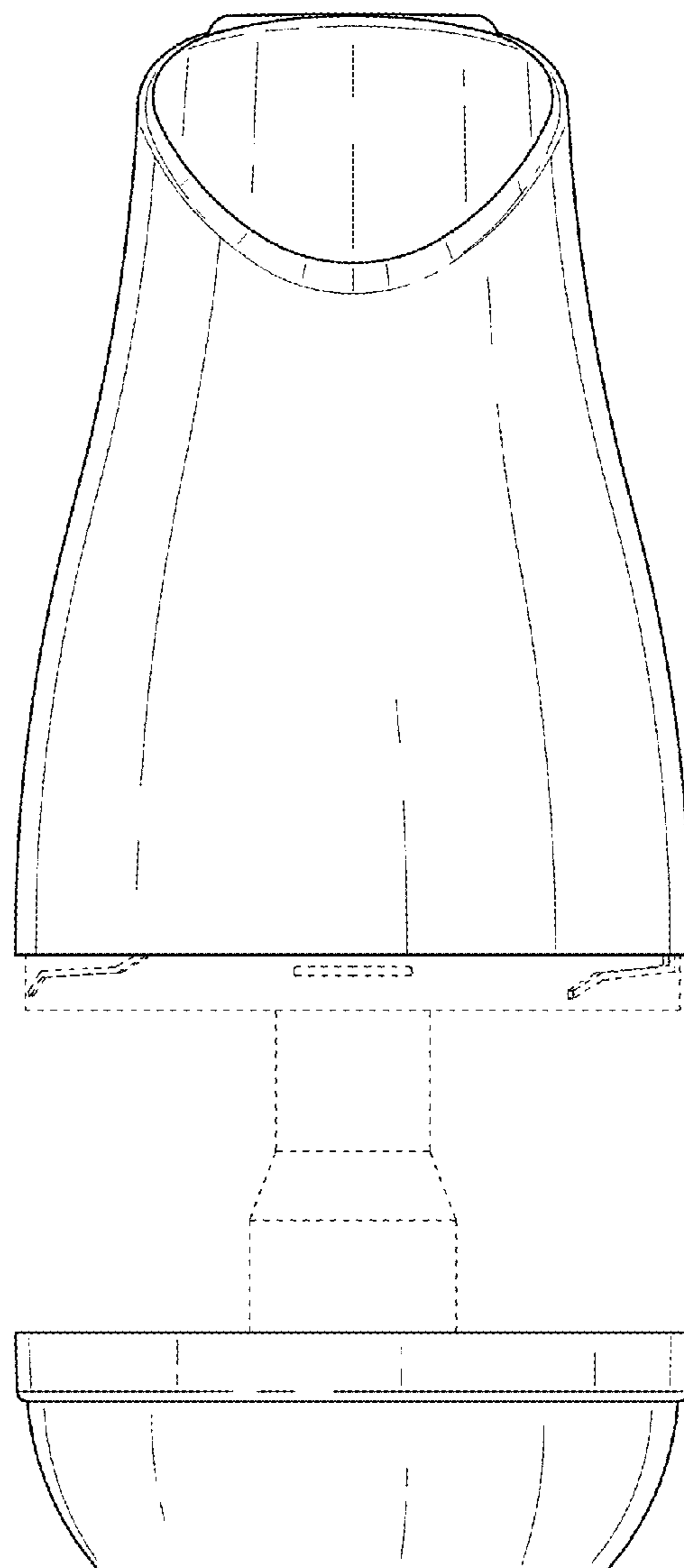


FIG. 16