



US00D828529S

(12) **United States Design Patent** (10) **Patent No.:** **US D828,529 S**  
**Hu** (45) **Date of Patent:** **\*\* Sep. 11, 2018**

(54) **AIR PURIFIER**

(71) Applicant: **NINGBO ZHEKAI ELECTRIC CO., LTD.**, Zhejiang (CN)

(72) Inventor: **Hairong Hu**, Zhejiang (CN)

(73) Assignee: **NINGBO ZHEKAI ELECTRIC CO., LTD.**, Zhejiang (CN)

(\*\*) Term: **15 Years**

(21) Appl. No.: **29/630,656**

(22) Filed: **Dec. 21, 2017**

(51) **LOC (11) Cl.** ..... **23-04**

(52) **U.S. Cl.**  
USPC ..... **D23/364**

(58) **Field of Classification Search**  
USPC ..... D23/355-366, 352, 369, 332, 333, 335, D23/336, 342, 351; 422/120, 122; 55/356, 473, 504; 96/97; D14/188, 170, D14/172; 261/DIG. 17, DIG. 65, 261/DIG. 88, DIG. 31; D18/34.6  
CPC .. A61L 9/16; A61L 9/22; B01D 47/00; B01D 47/027; B01D 2221/02; B01D 2259/4508; B03C 3/155; B03C 3/0368; F24F 3/16; F24F 13/20; F24F 13/28; F24F 3/1405; F24F 3/1603; F24F 13/222  
See application file for complete search history.

(56) **References Cited**

**U.S. PATENT DOCUMENTS**

3,135,987 A \* 6/1964 Huch ..... A46B 15/00  
134/137  
D270,468 S \* 9/1983 Hoyt ..... D23/369  
D332,987 S \* 2/1993 Der-Jinn ..... D22/120  
D334,975 S \* 4/1993 Bunce ..... D23/366  
D349,157 S \* 7/1994 Rymer ..... D23/362  
5,601,636 A \* 2/1997 Glucksman ..... F24F 3/1603  
55/356  
D421,109 S \* 2/2000 Wolfe ..... D23/356

D455,484 S \* 4/2002 Hensel ..... D23/366  
D492,279 S \* 6/2004 Lee ..... D14/188  
D590,938 S \* 4/2009 Lulla ..... D24/110  
D613,388 S \* 4/2010 Koenig ..... D23/366  
2013/0145572 A1 \* 6/2013 Schregardus ..... A47L 11/4036  
15/319  
2014/0182627 A1 \* 7/2014 Williams ..... A47L 11/30  
134/21

**OTHER PUBLICATIONS**

Alibaba.com, 2017 best sell air purifier with HEPA filter air cleaner, Jul. 16, 2018, [https://cnhansheng.en.alibaba.com/product/60725877146-218171367/2017\\_best\\_sell\\_air\\_purifier\\_with\\_HEPA\\_filter\\_air\\_cleaner.html?spm=a2700.icbuShop.prewdfa4cf.98.509568d8iMIG7u.\\*](https://cnhansheng.en.alibaba.com/product/60725877146-218171367/2017_best_sell_air_purifier_with_HEPA_filter_air_cleaner.html?spm=a2700.icbuShop.prewdfa4cf.98.509568d8iMIG7u.*)

\* cited by examiner

*Primary Examiner* — David Muller  
*Assistant Examiner* — Nathan Johnston  
(74) *Attorney, Agent, or Firm* — JCIPRNET

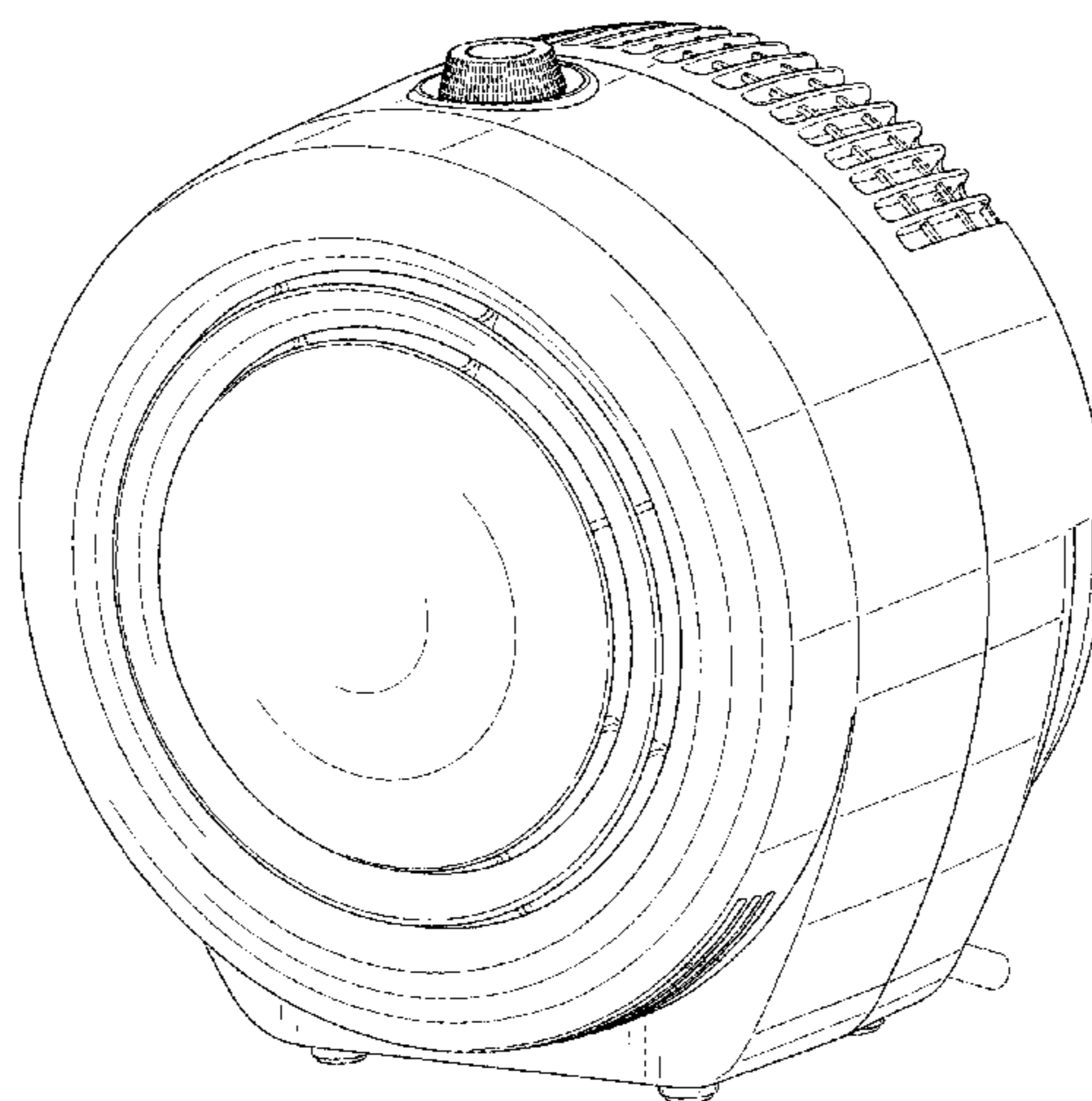
(57) **CLAIM**

The ornamental design for an air purifier, as shown and described.

**DESCRIPTION**

FIG. 1 is a perspective view of an air purifier showing my new design;  
FIG. 2 is another perspective view thereof;  
FIG. 3 is a front elevation view thereof;  
FIG. 4 is a rear elevation view thereof;  
FIG. 5 is a left side elevation view thereof;  
FIG. 6 is a right side elevation view thereof;  
FIG. 7 is a top plan view thereof; and,  
FIG. 8 is a bottom plan view thereof.  
The broken line portions of the air purifier in FIGS. 1-8 represent unclaimed portions of the claimed design and form no part thereof.

**1 Claim, 8 Drawing Sheets**



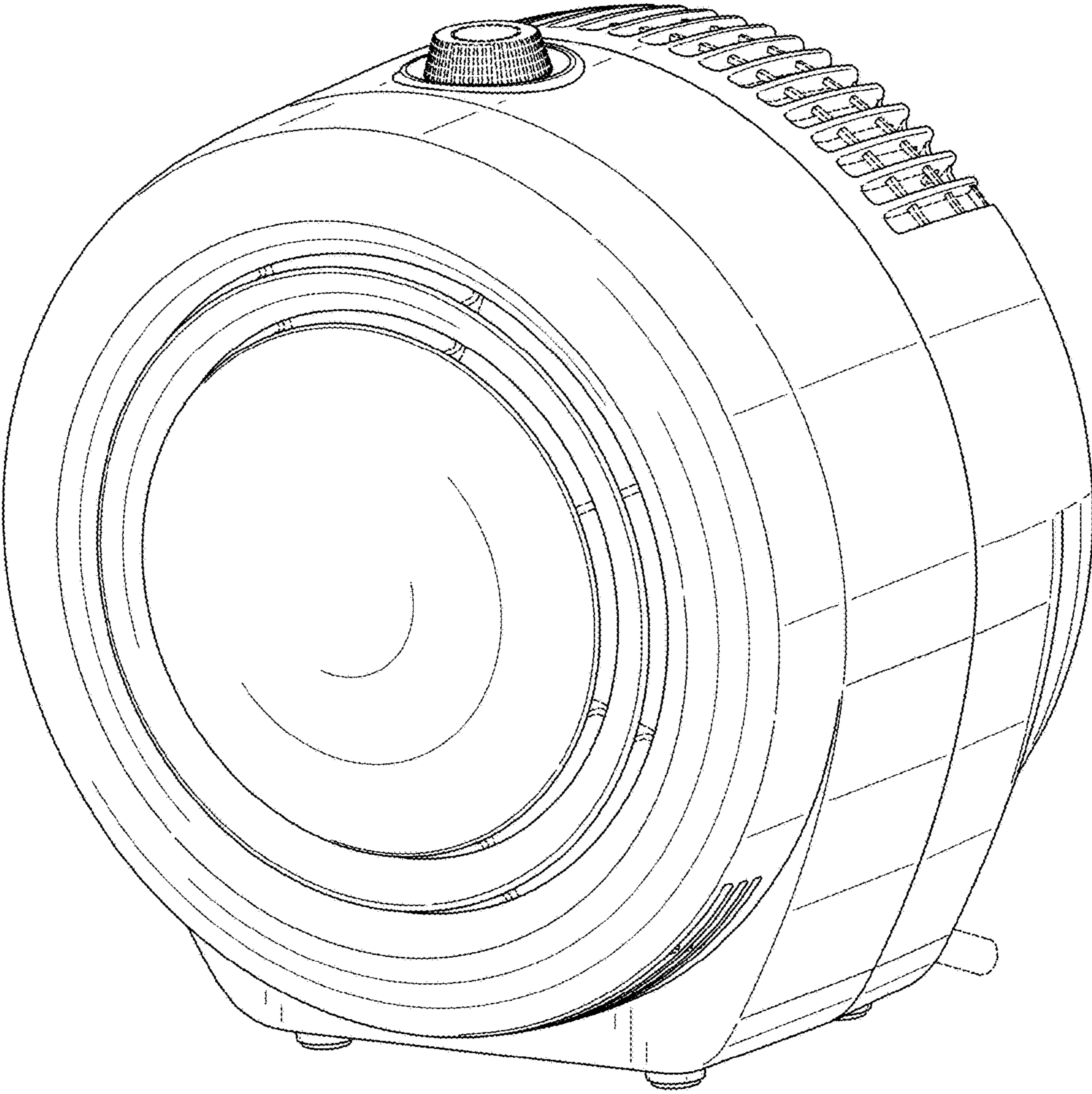


FIG. 1

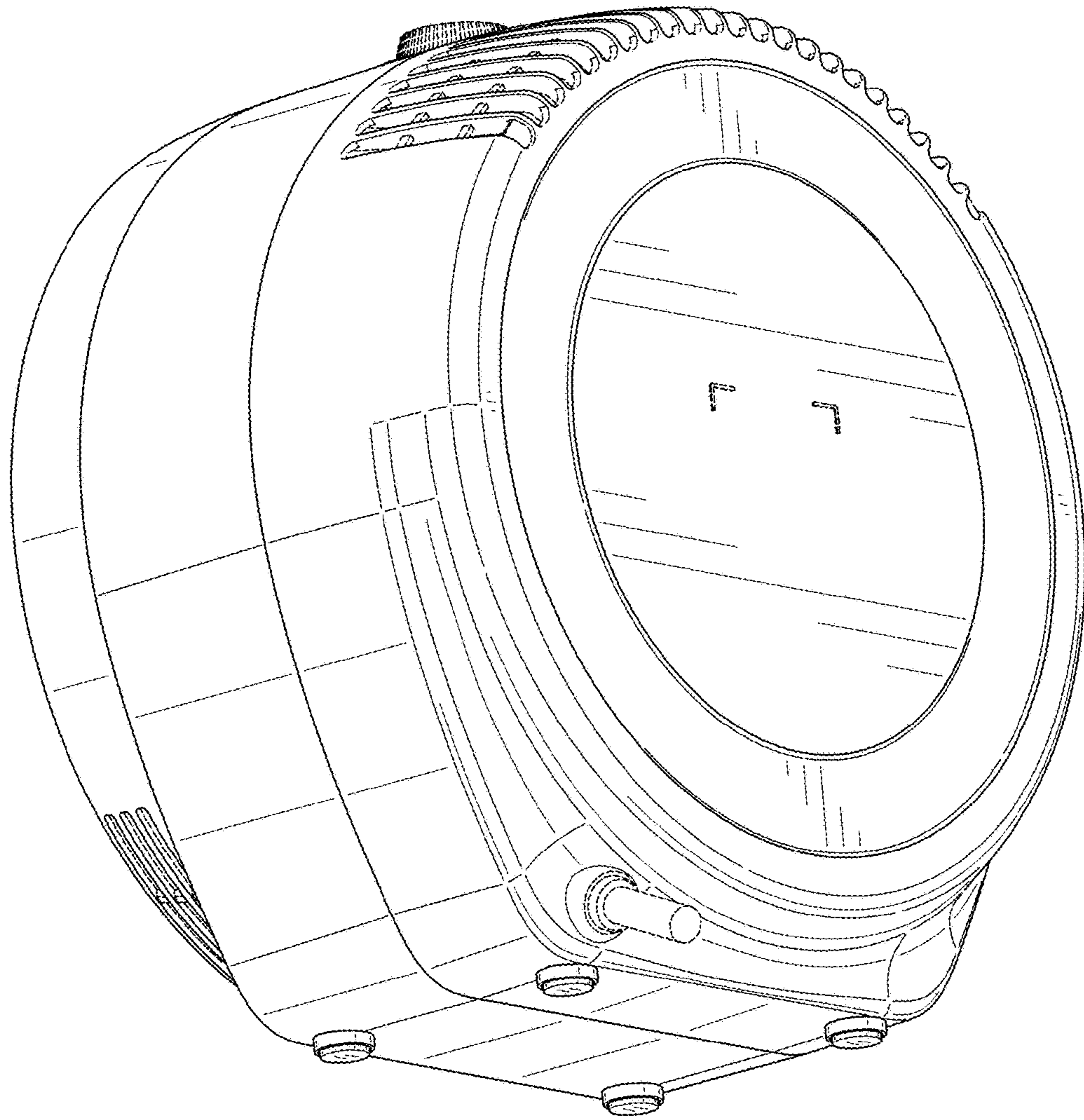


FIG. 2

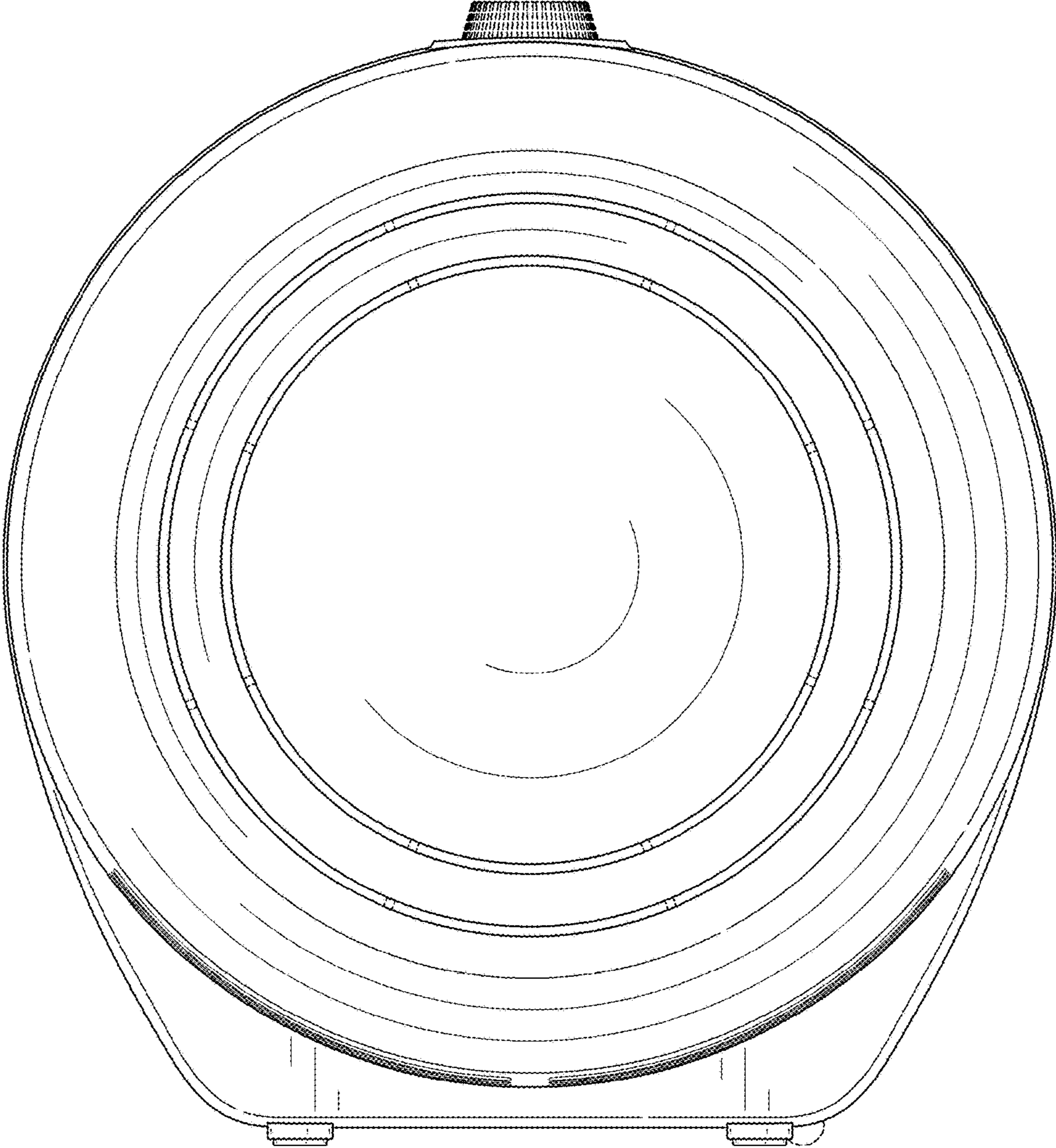


FIG. 3

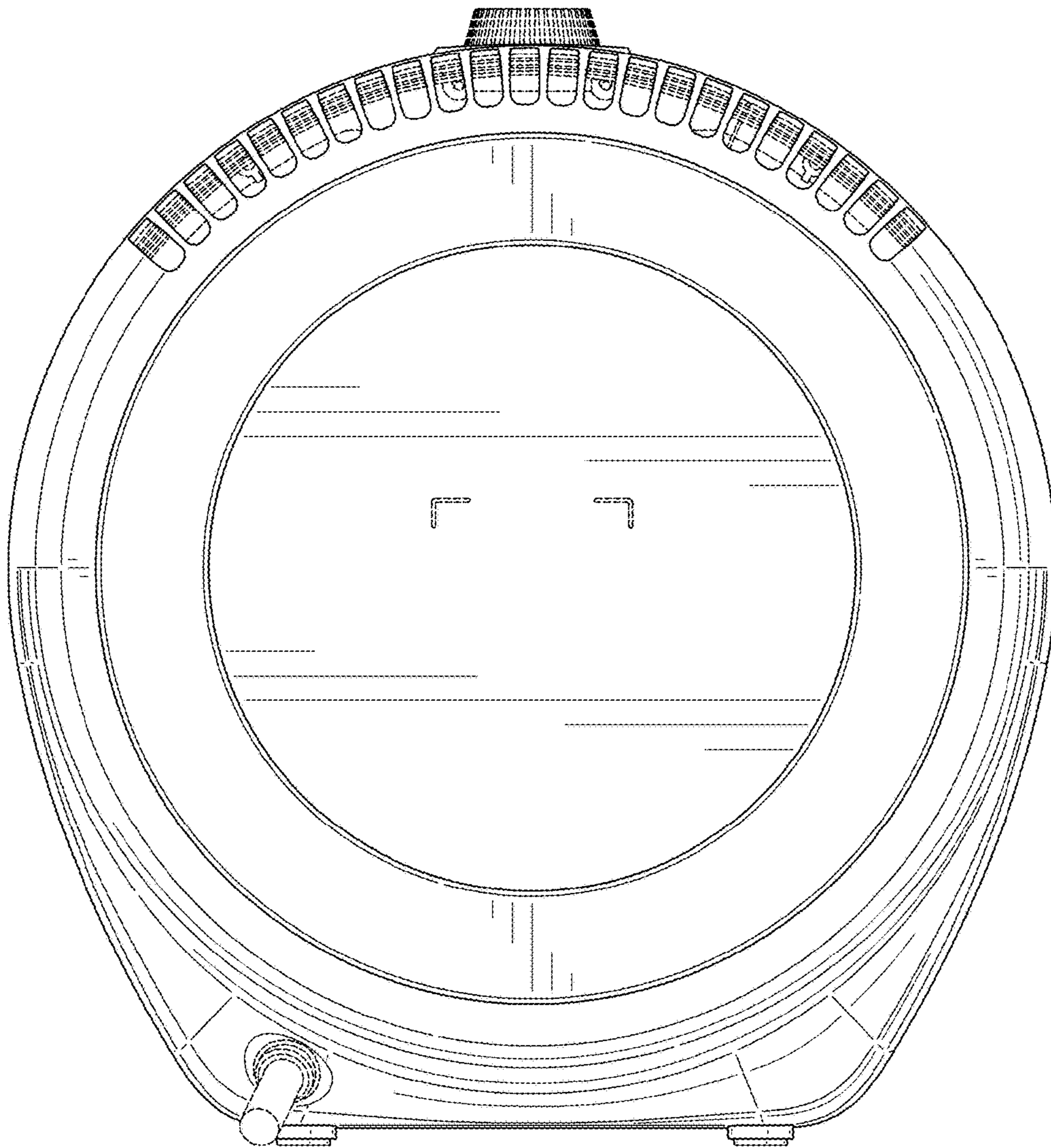


FIG. 4

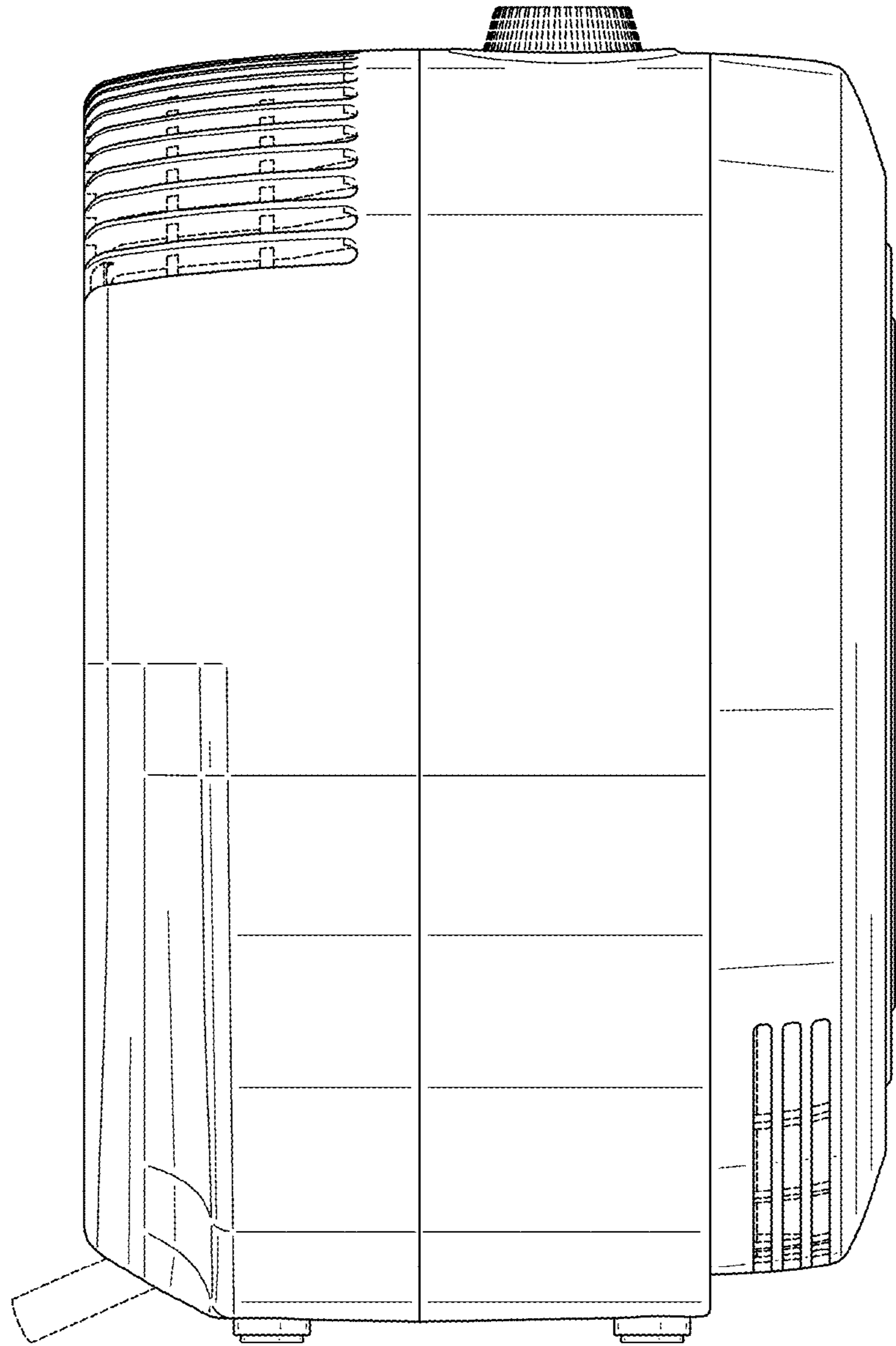


FIG. 5

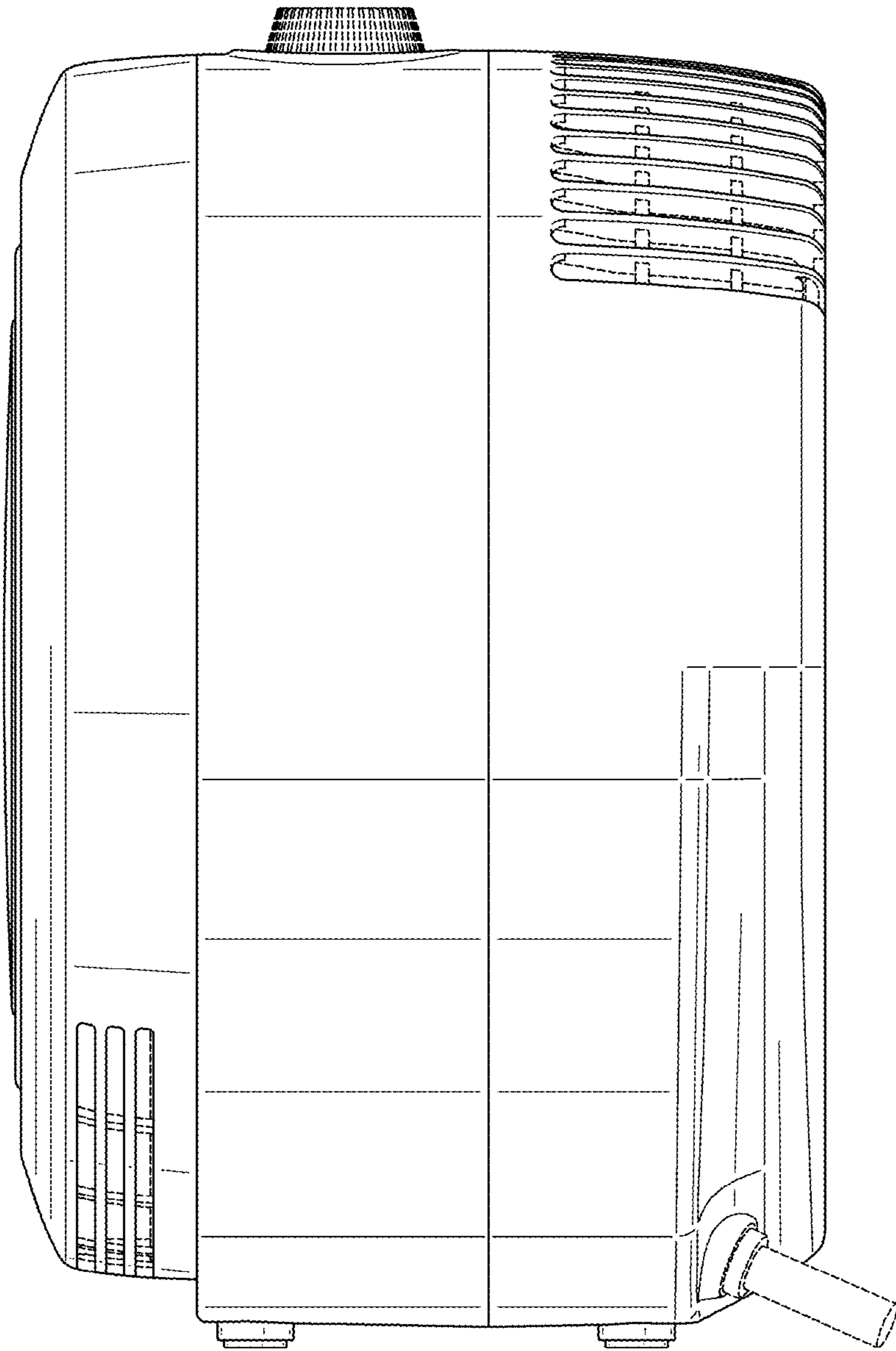


FIG. 6

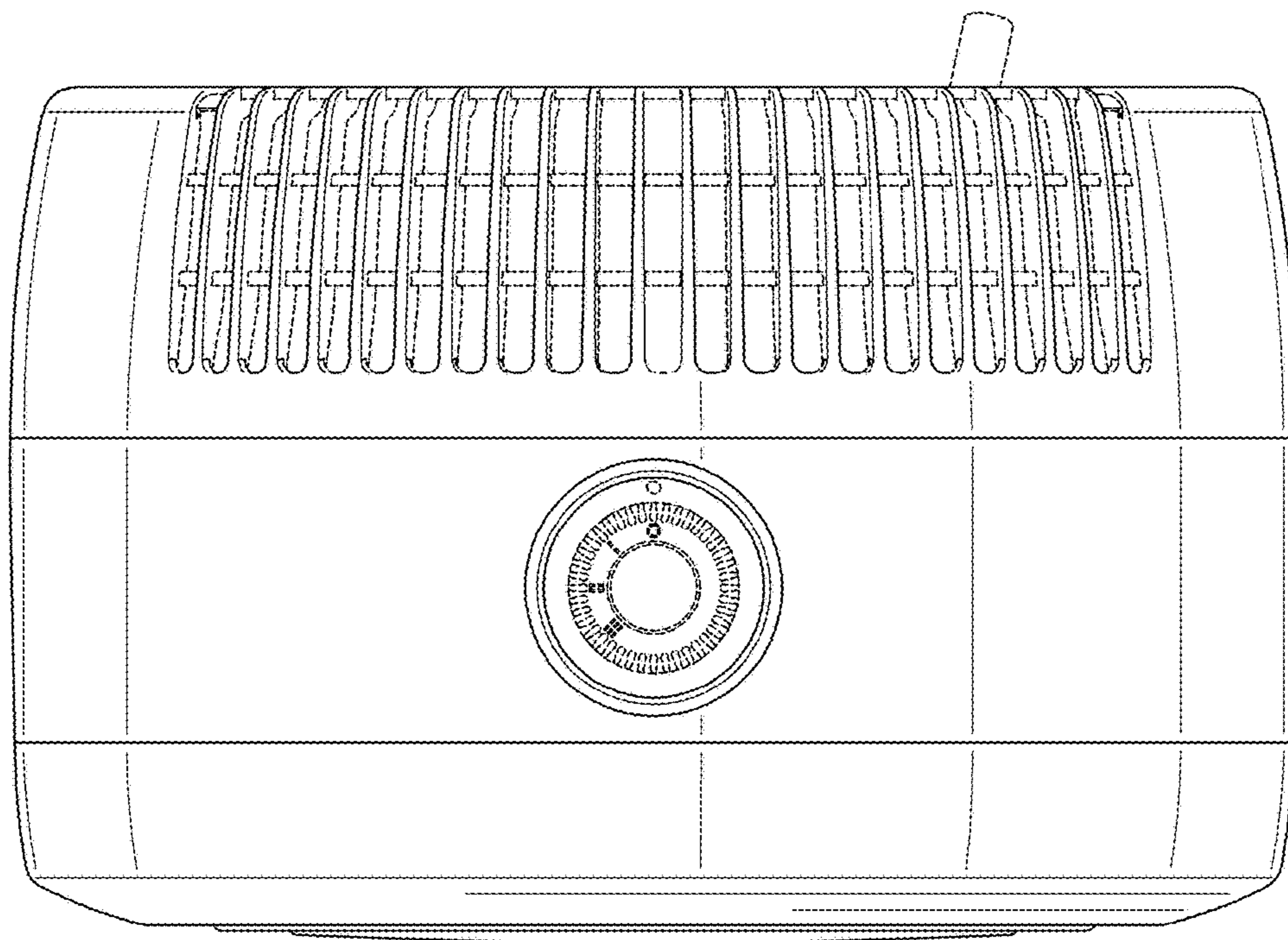


FIG. 7



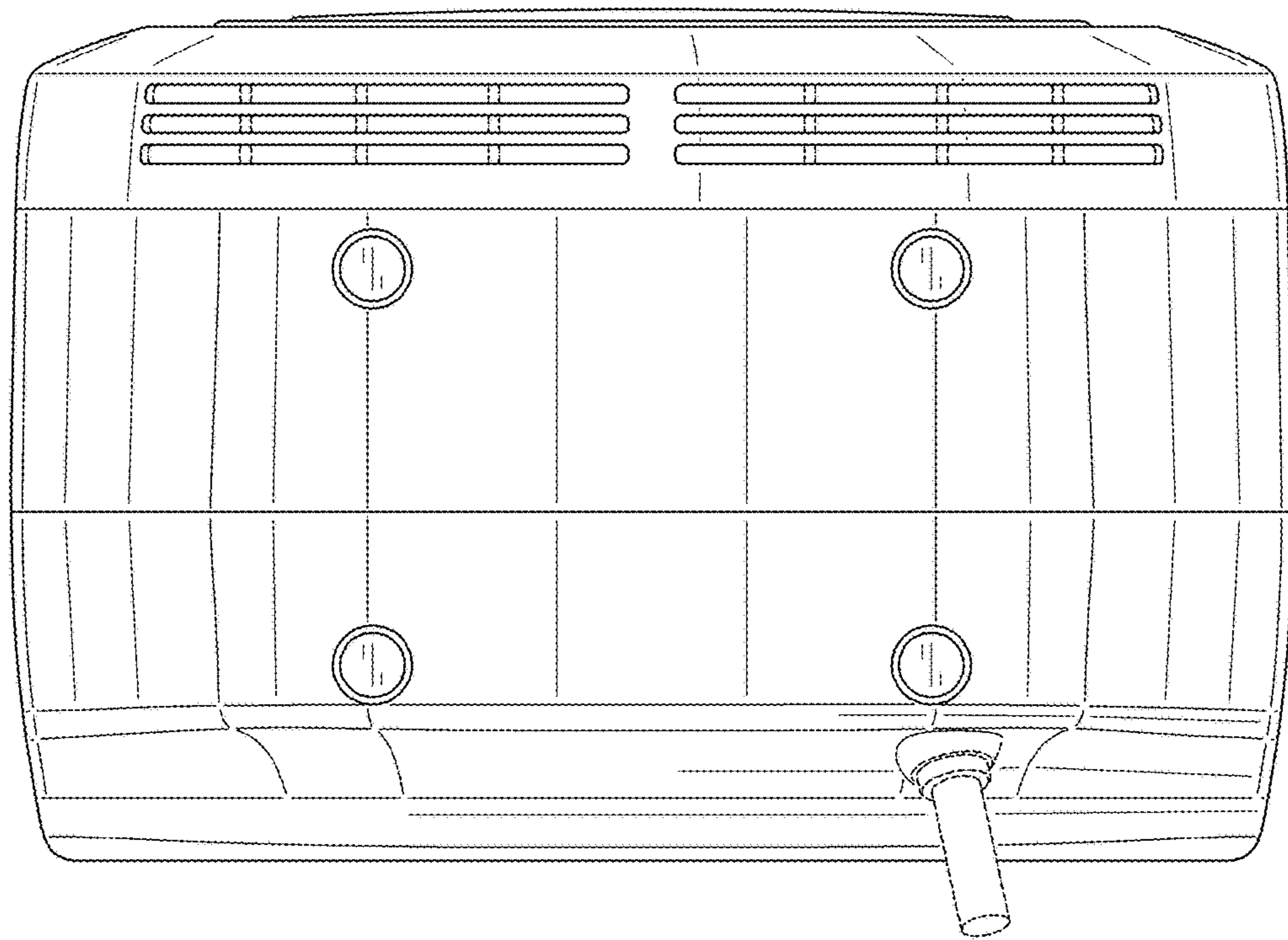


FIG. 8