



US00D828528S

(12) **United States Design Patent**
Evans et al.

(10) **Patent No.:** **US D828,528 S**
(45) **Date of Patent:** **** Sep. 11, 2018**

- (54) **CARTRIDGE FOR A HUMIDIFIER**
- (71) Applicant: **Fisher & Paykel Healthcare Limited**,
Auckland (NZ)
- (72) Inventors: **Stephen David Evans**, Auckland (NZ);
Jason Allan Klenner, Auckland (NZ);
Neil Gray Duthie, Auckland (NZ);
Nicholas James Michael McKenna,
Auckland (NZ); **Myfanwy Jane Antica**
Norton, Auckland (NZ); **Richard**
William Mosley, Auckland (NZ);
Sandeep Singh Gurm, Waterloo (CA)
- (73) Assignee: **Fisher & Paykel Healthcare Limited**,
Auckland (NZ)

(**) Term: **15 Years**

(21) Appl. No.: **29/540,279**

(22) Filed: **Sep. 22, 2015**

(51) **LOC (11) Cl.** **23-04**

(52) **U.S. Cl.**
USPC **D23/358**

(58) **Field of Classification Search**
USPC D23/355-364
CPC A61M 16/16; A61M 16/0816; A61M
16/0003; F24F 2006/008; F24F 3/1405;
F24F 2003/144; F24F 11/0008; F24F
13/28
See application file for complete search history.

(56) **References Cited**

U.S. PATENT DOCUMENTS

- 2,369,375 A * 2/1945 Sonntag F24F 3/16
126/299 D
- 3,382,791 A * 5/1968 Henry-Biabaud
B60H 1/00035
454/127
- D229,693 S * 12/1973 Morrow D23/358

- 5,536,375 A * 7/1996 Vogelmann B01D 1/305
202/160
- D376,640 S * 12/1996 Kloster D23/365
- D528,643 S * 9/2006 Wang D23/364
- D645,131 S * 9/2011 Chan D23/364
- D665,870 S * 8/2012 Fang D23/201
- D673,668 S * 1/2013 Lingenfelter D23/393

(Continued)

Primary Examiner — Kevin K Rudzinski
Assistant Examiner — Jack Reickel
(74) *Attorney, Agent, or Firm* — Knobbe Martens Olson
& Bear LLP

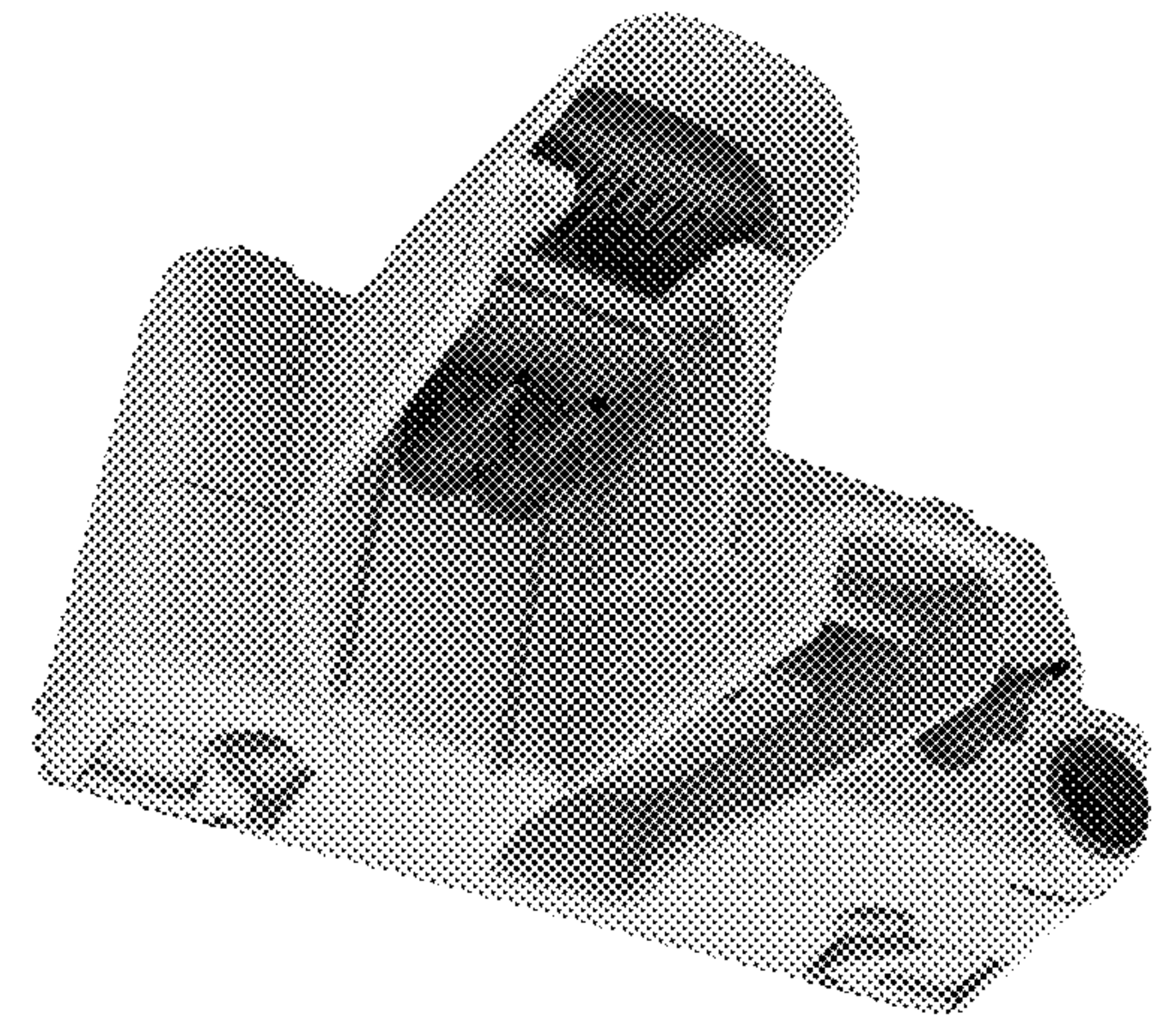
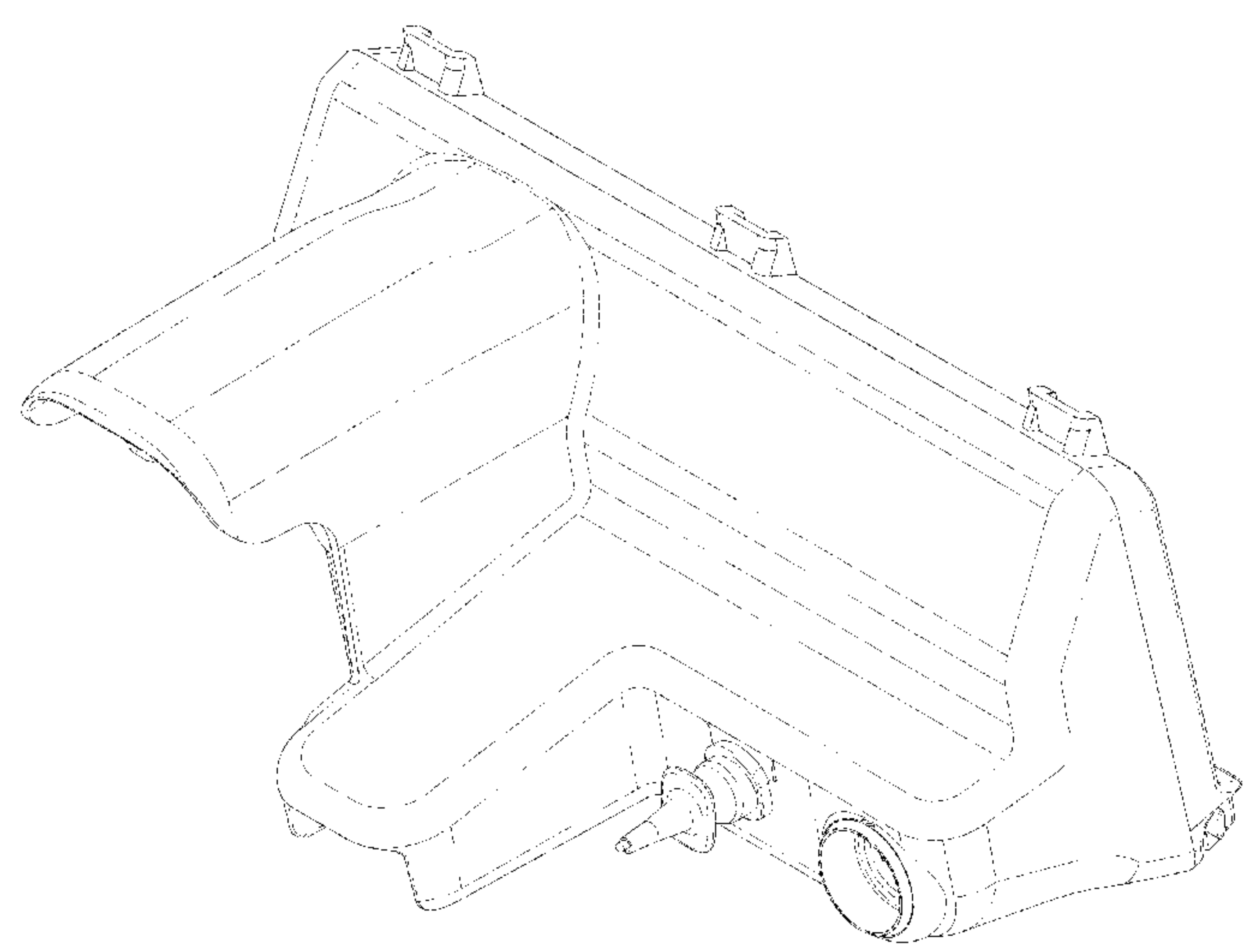
(57) **CLAIM**

The ornamental design for a cartridge for a humidifier, as shown and described.

DESCRIPTION

FIG. 1 is a top, front and side perspective view of a first embodiment of a cartridge for a humidifier embodying our new design;
FIG. 2 is a front view thereof;
FIG. 3 is a rear view thereof;
FIG. 4 is a first side view thereof;
FIG. 5 is a second side view thereof;
FIG. 6 is a top view thereof; and
FIG. 7 is a bottom view thereof.
FIG. 8 is a top, front and side perspective view of a second embodiment of a cartridge for a humidifier embodying our new design;
FIG. 9 is a bottom, front and side perspective view thereof;
FIG. 10 is a front view thereof;
FIG. 11 is a rear view thereof;
FIG. 12 is a first side view thereof;
FIG. 13 is a second side view thereof;
FIG. 14 is a top view thereof; and,
FIG. 15 is a bottom view thereof.
The broken lines showing certain portions of the first and second embodiments of the cartridge for a humidifier form no part of the claimed design.

1 Claim, 15 Drawing Sheets



(56)

References Cited

U.S. PATENT DOCUMENTS

D710,983 S	*	8/2014	Miller	D23/359
D715,417 S	*	10/2014	McCoy	D23/365
D716,934 S	*	11/2014	Hertreiter	D23/365
D722,150 S	*	2/2015	Heine	D23/356

* cited by examiner

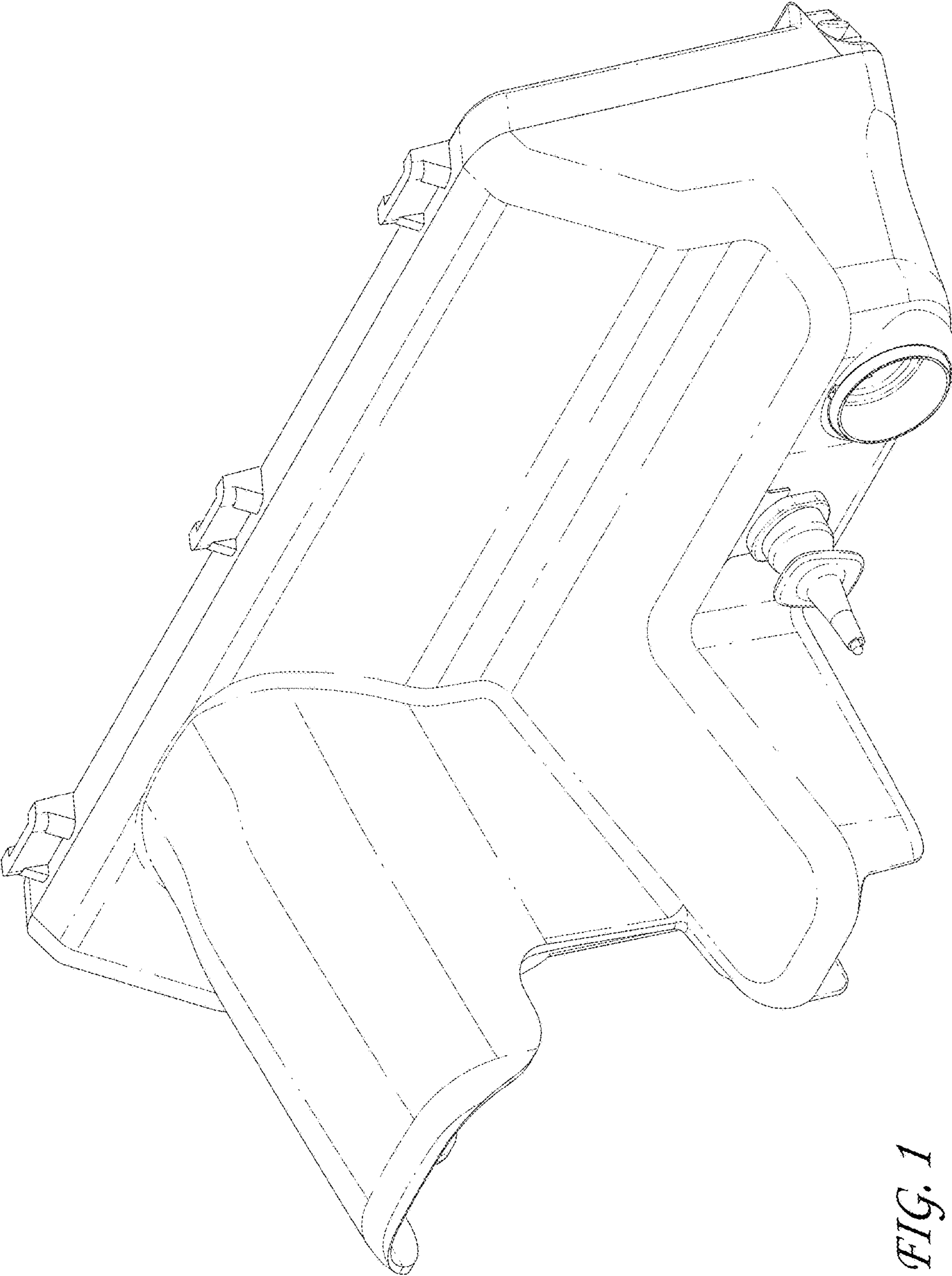


FIG. 1

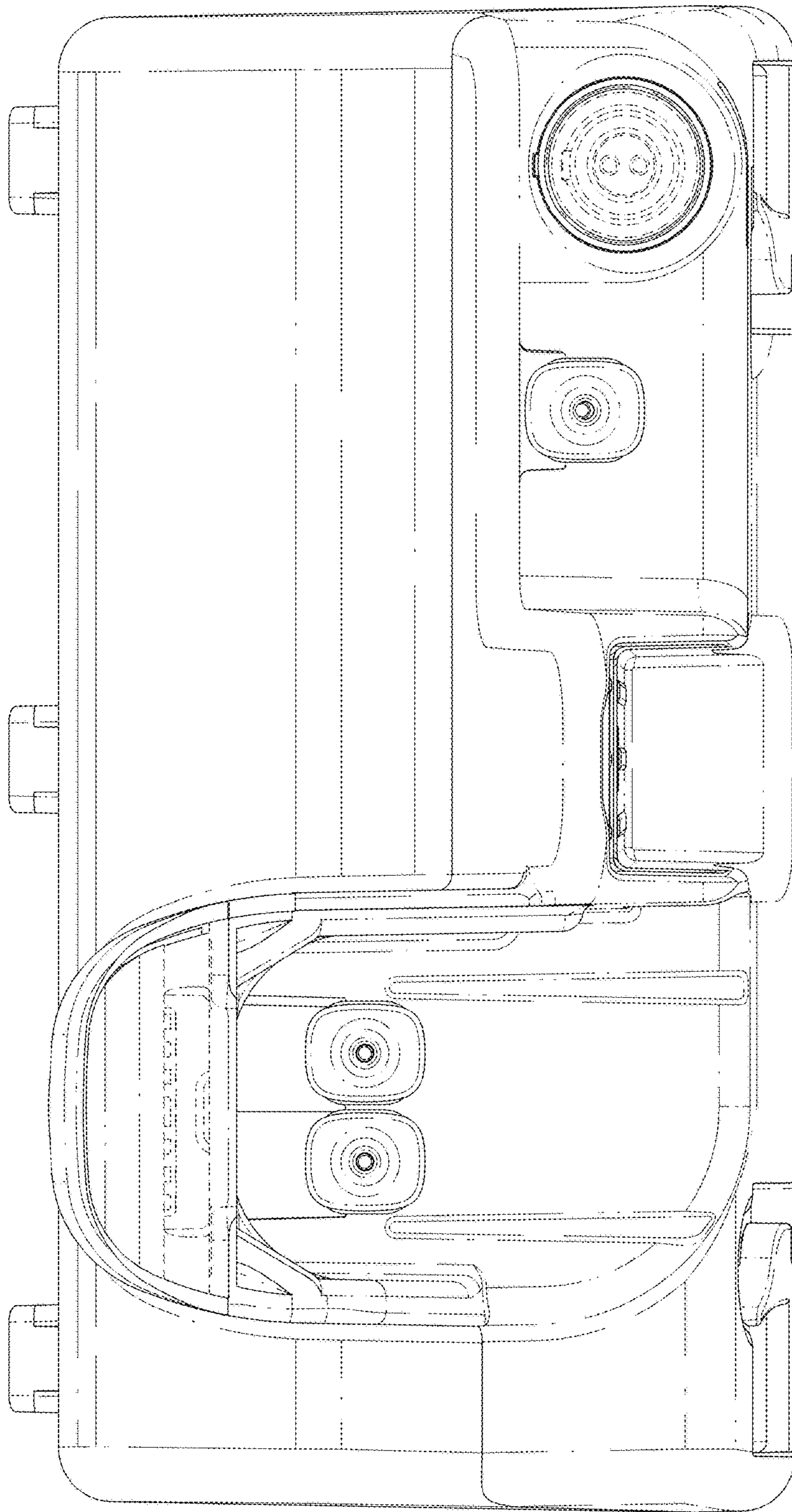


FIG. 2

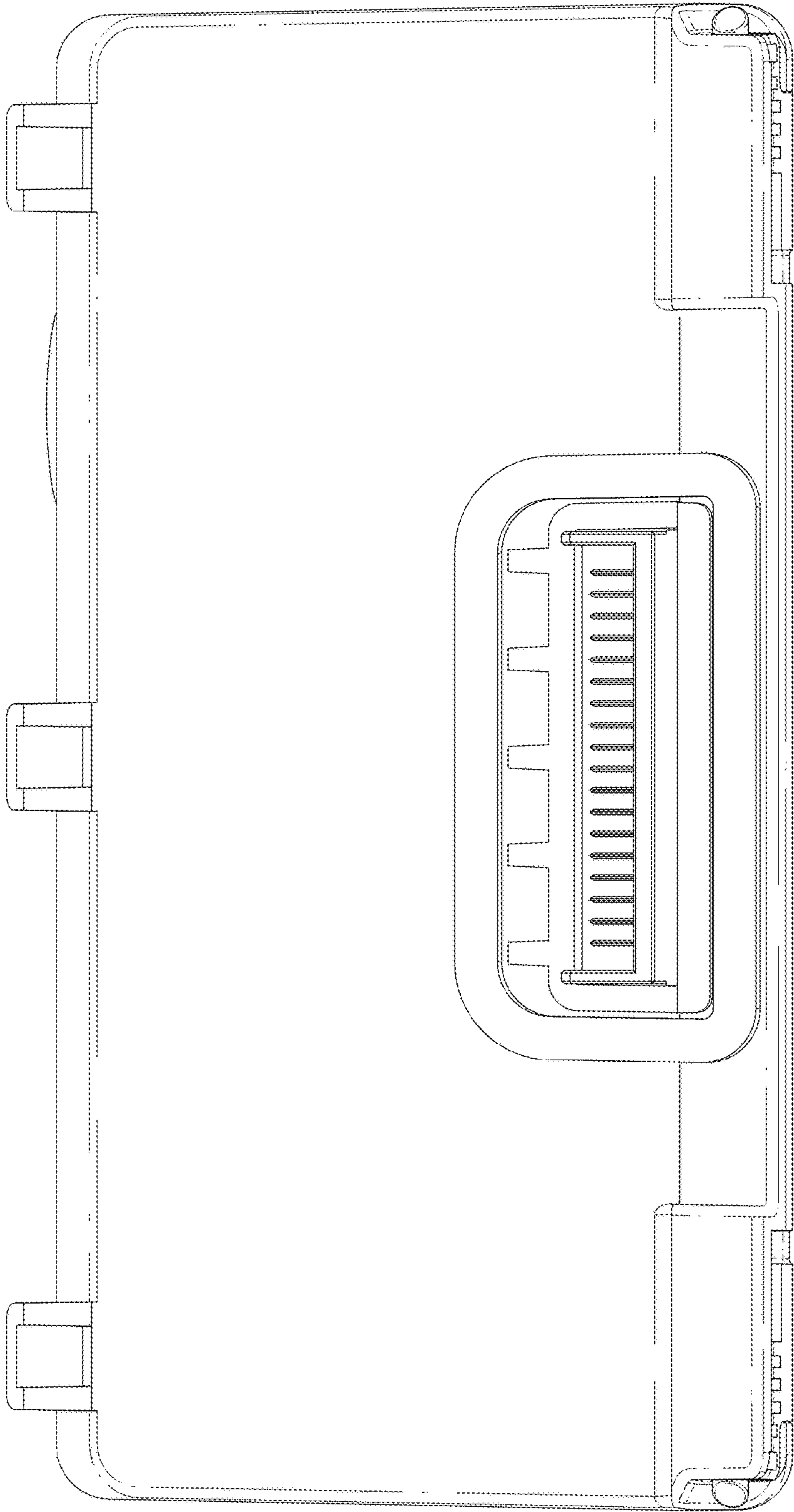


FIG. 3

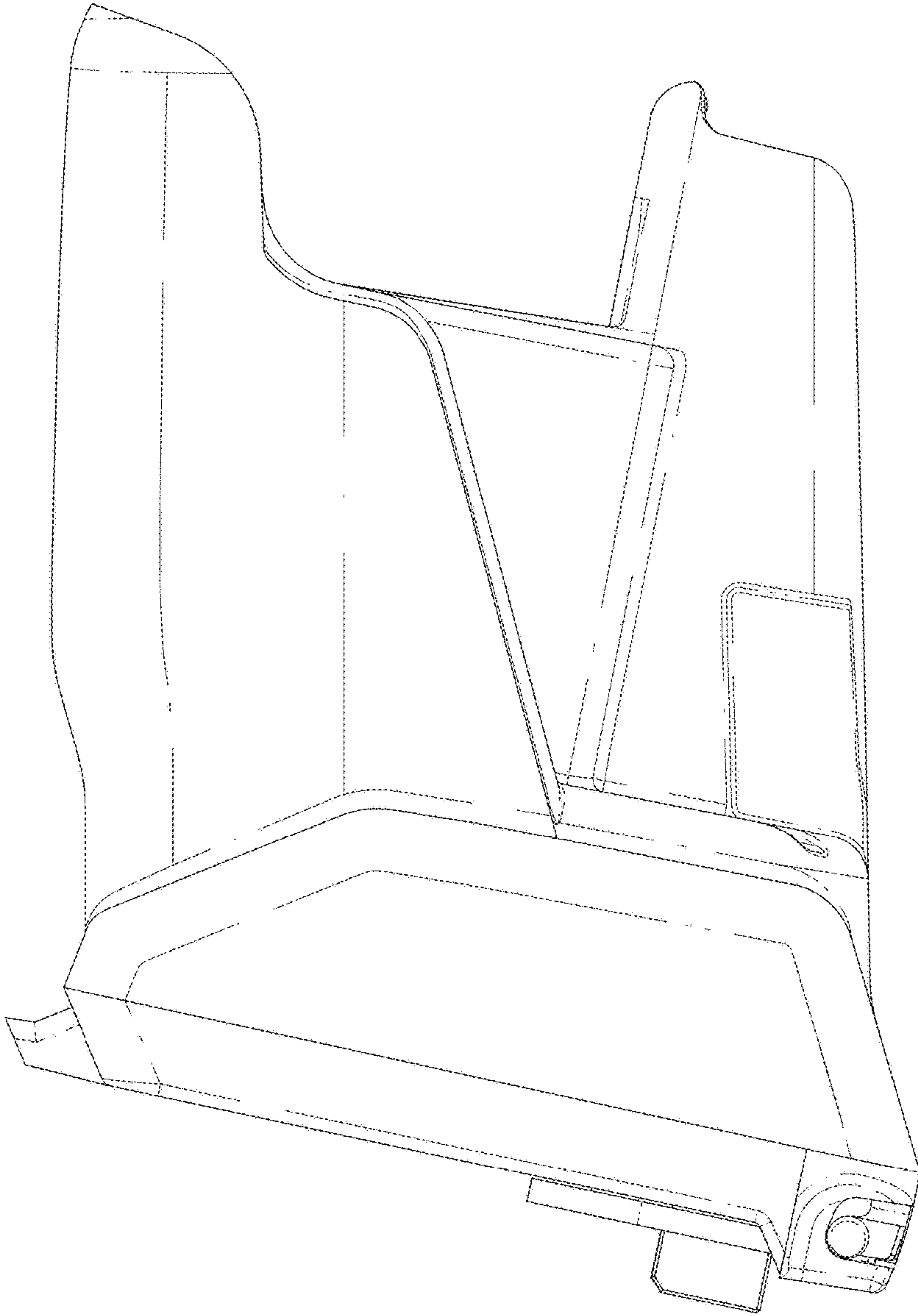


FIG. 4

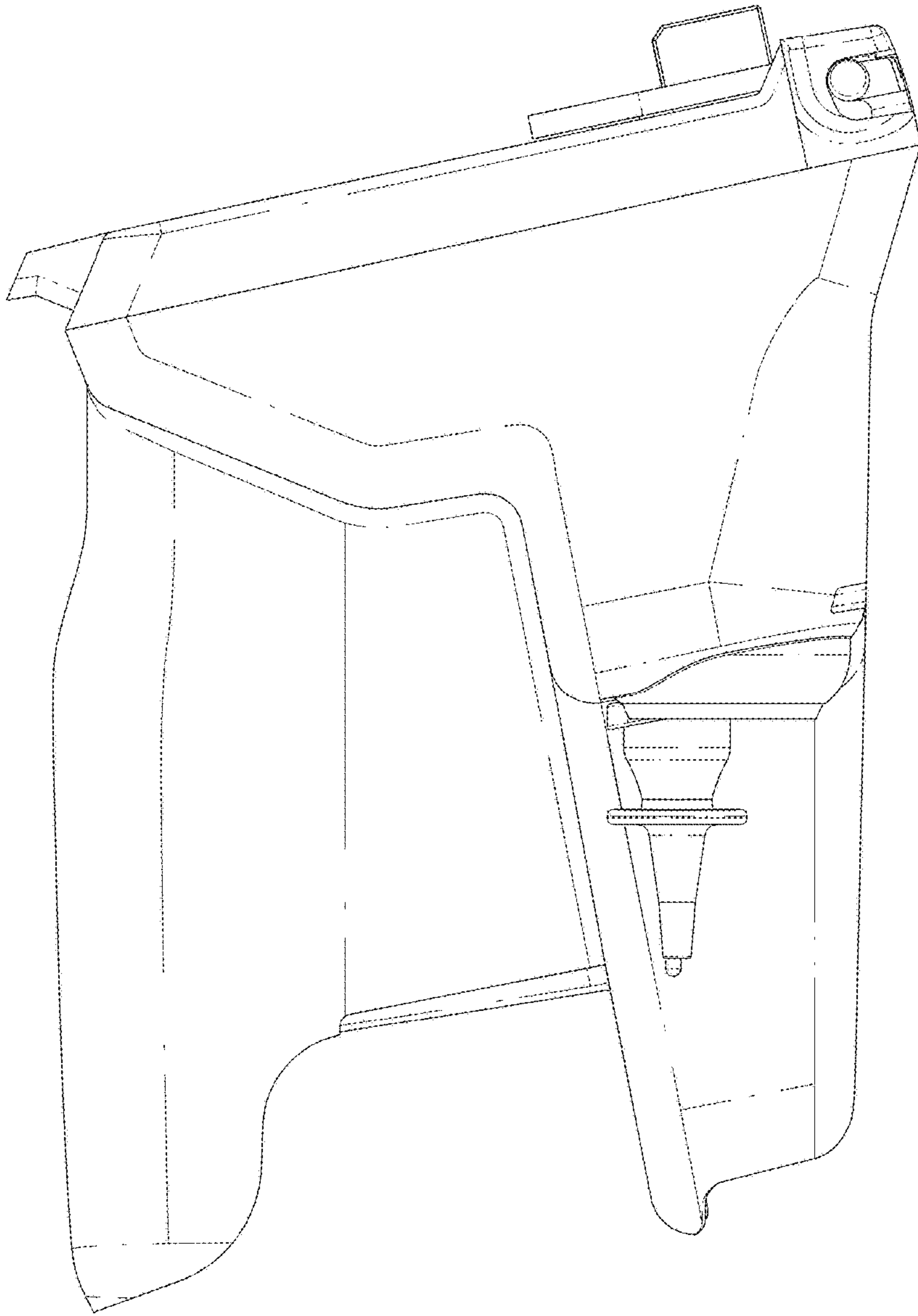


FIG. 5

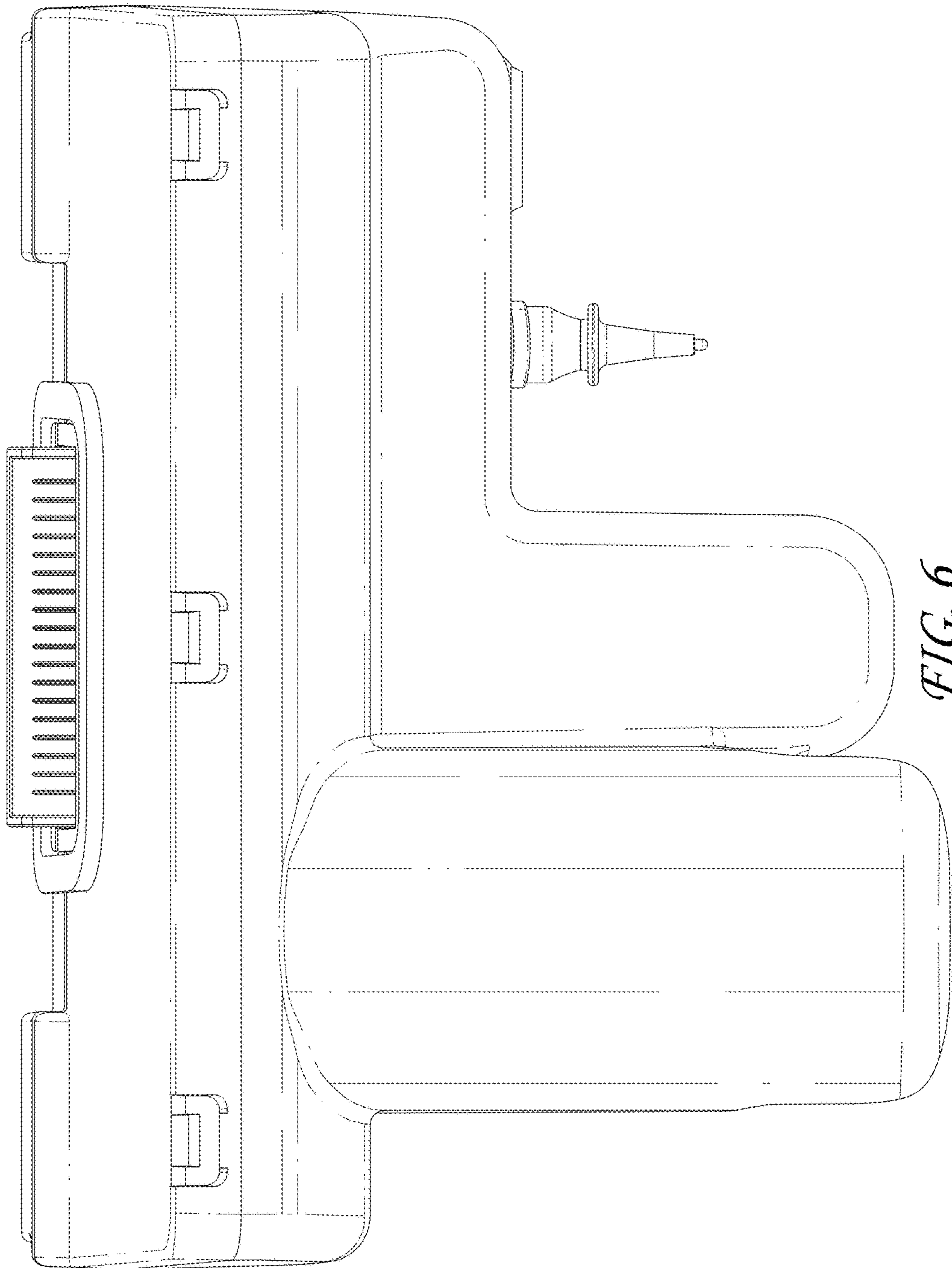
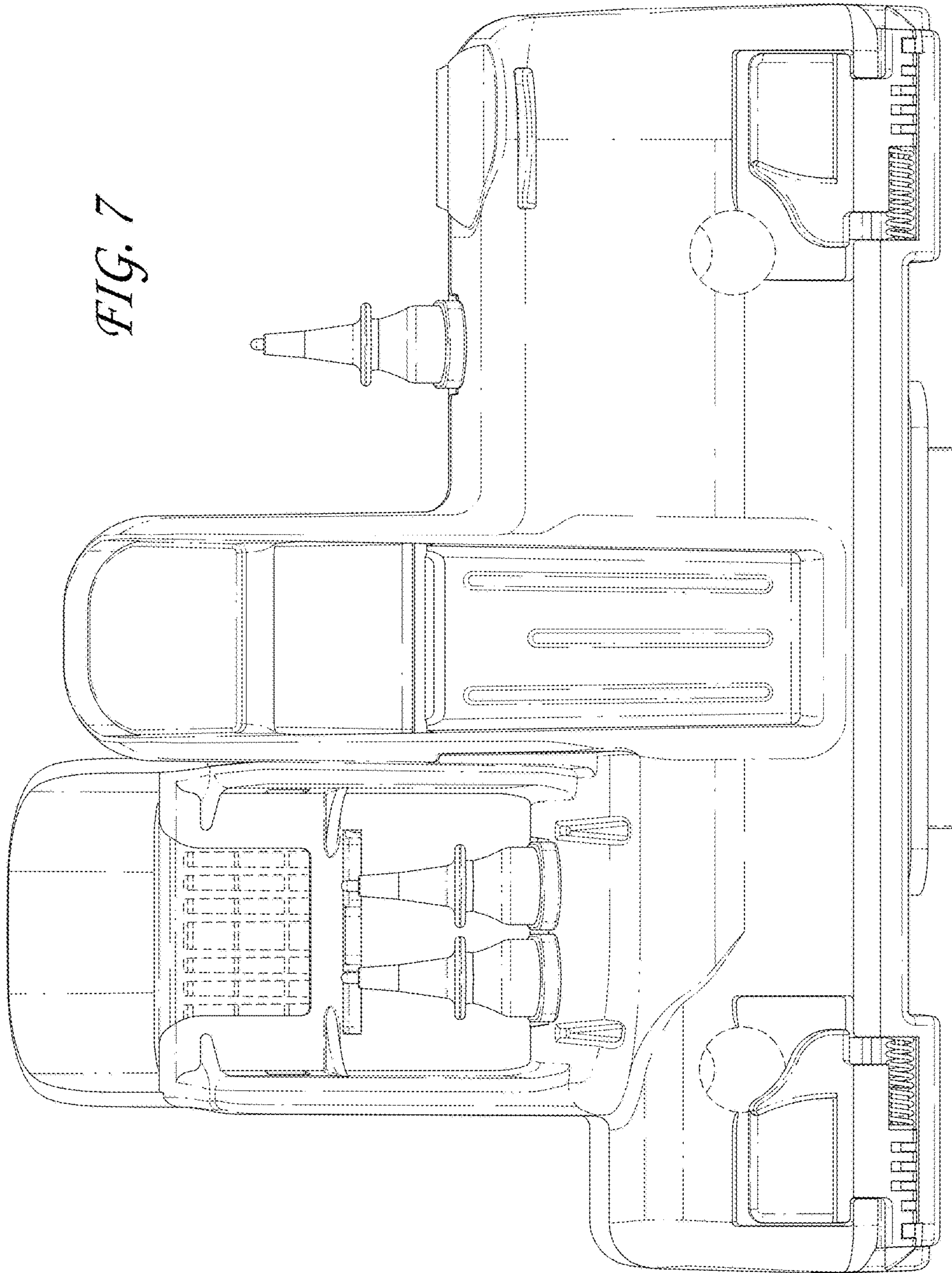


FIG. 6

FIG. 7



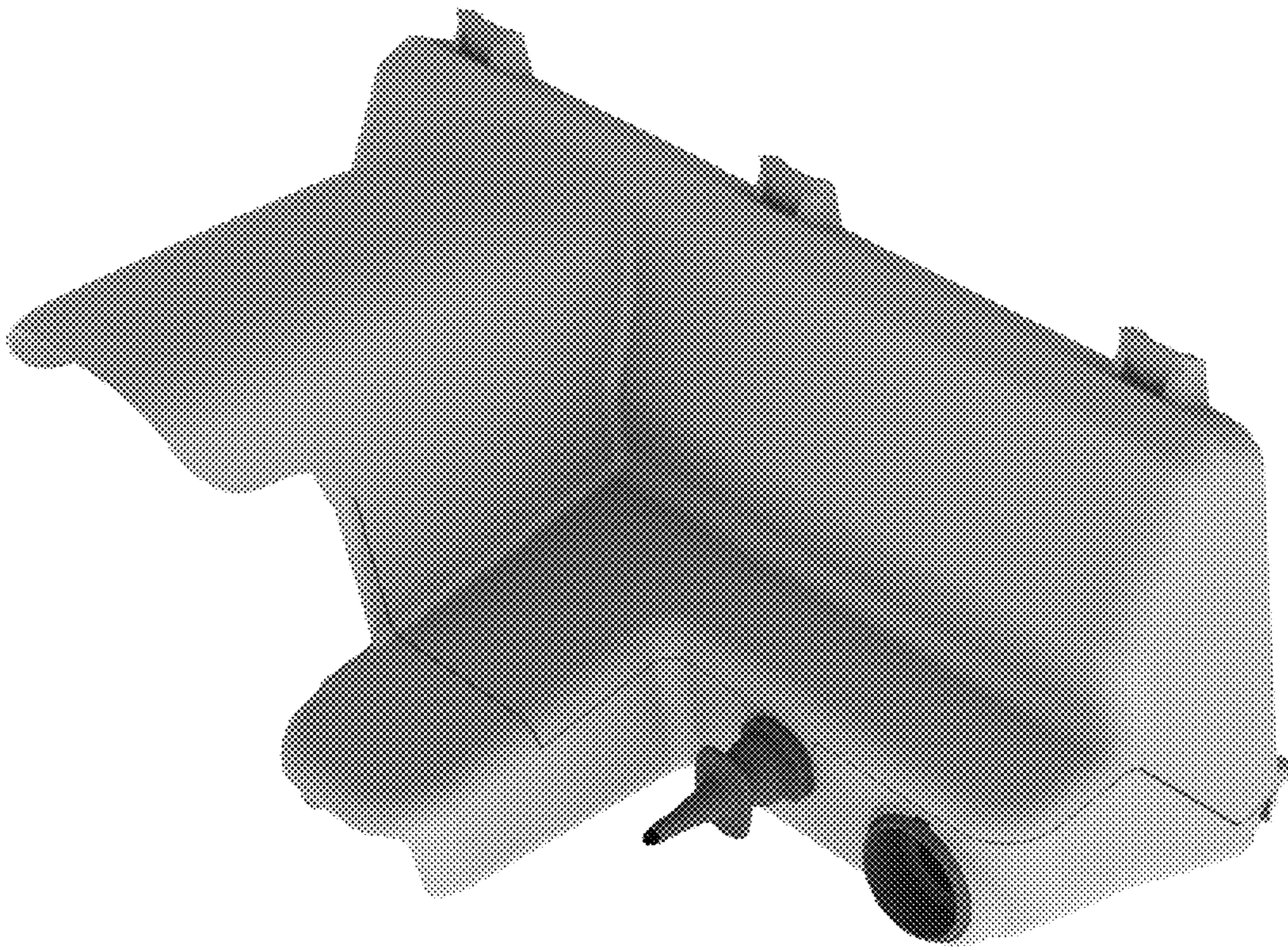


FIG. 8

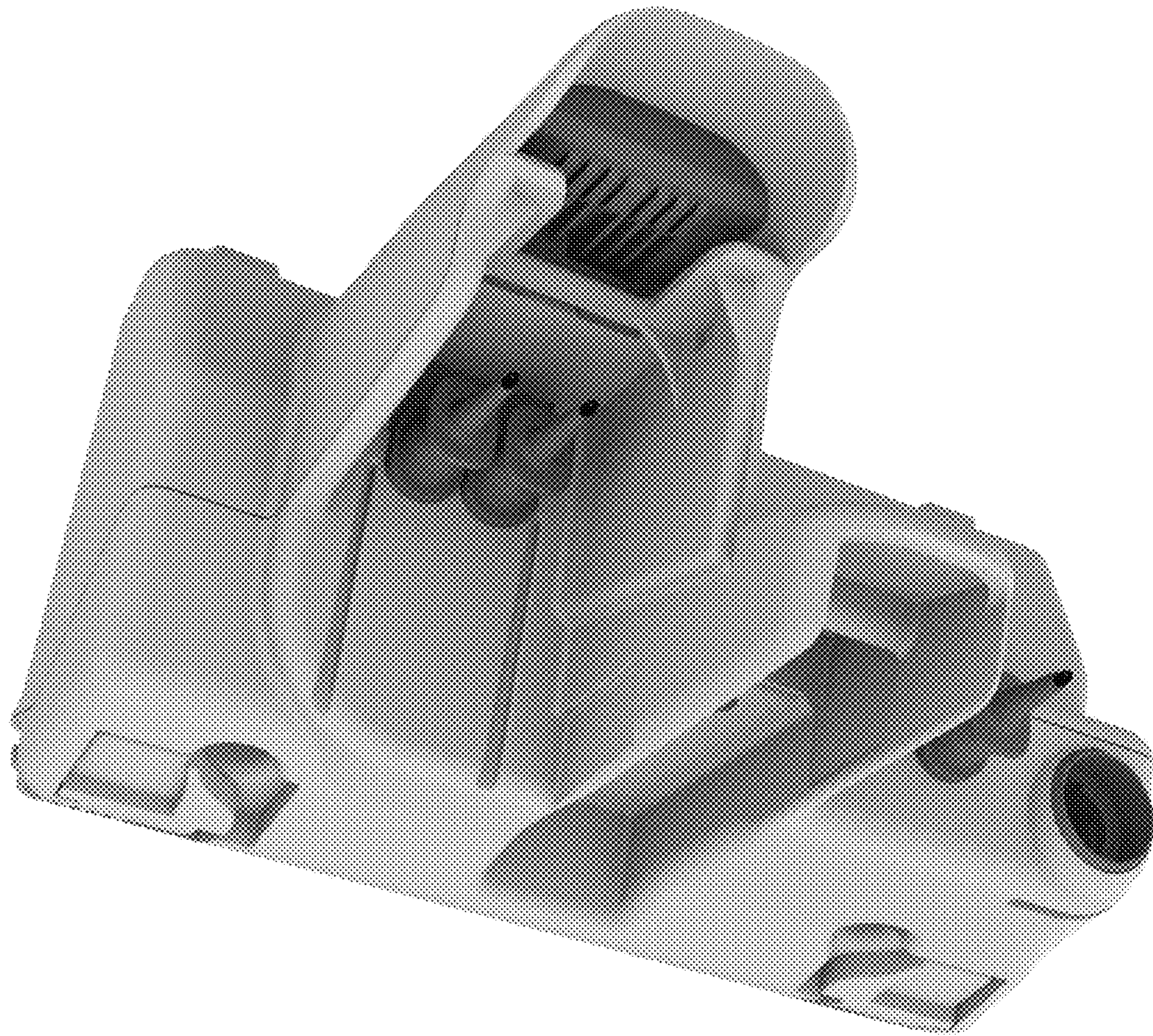


FIG. 9

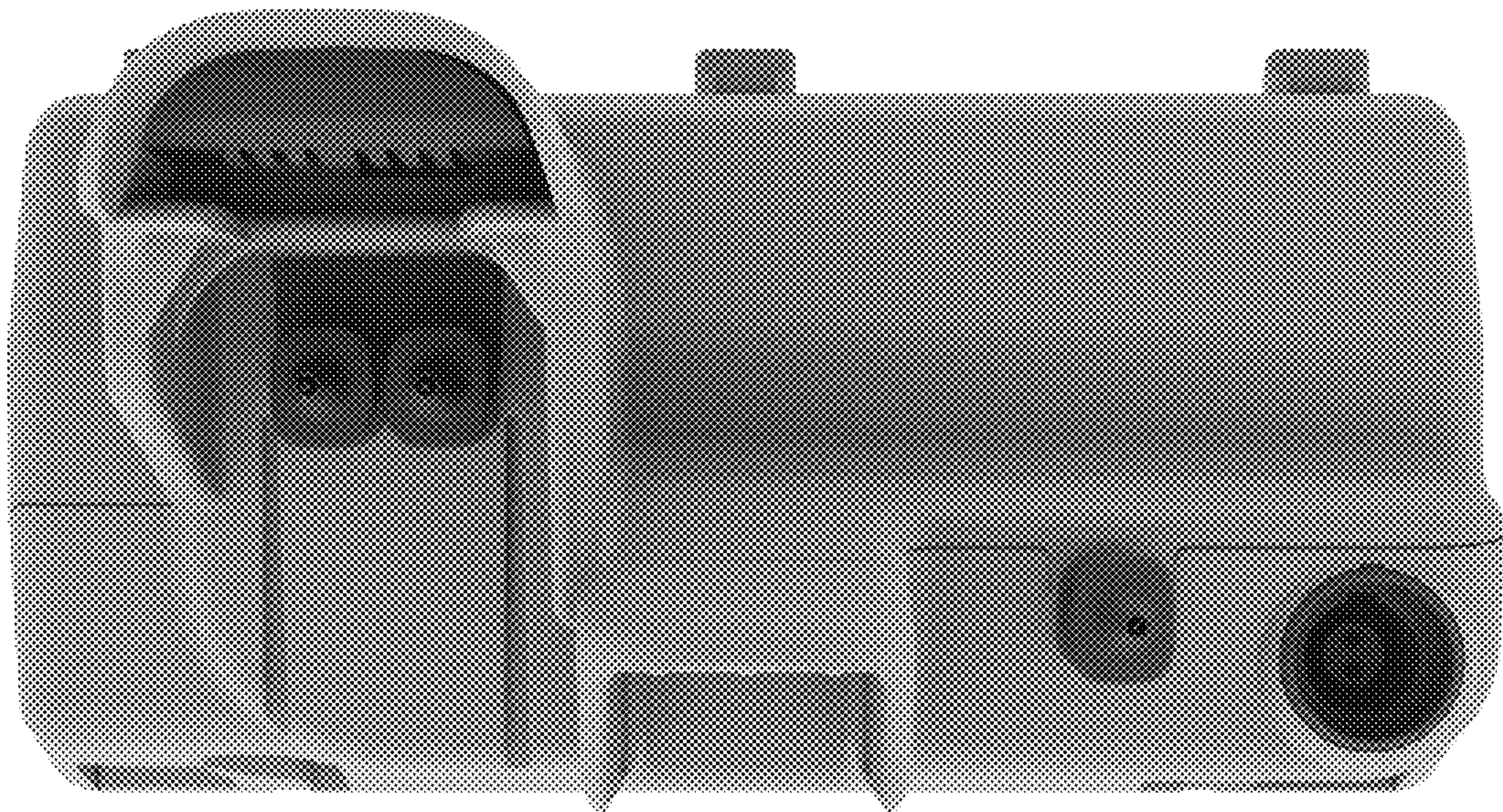


FIG. 10

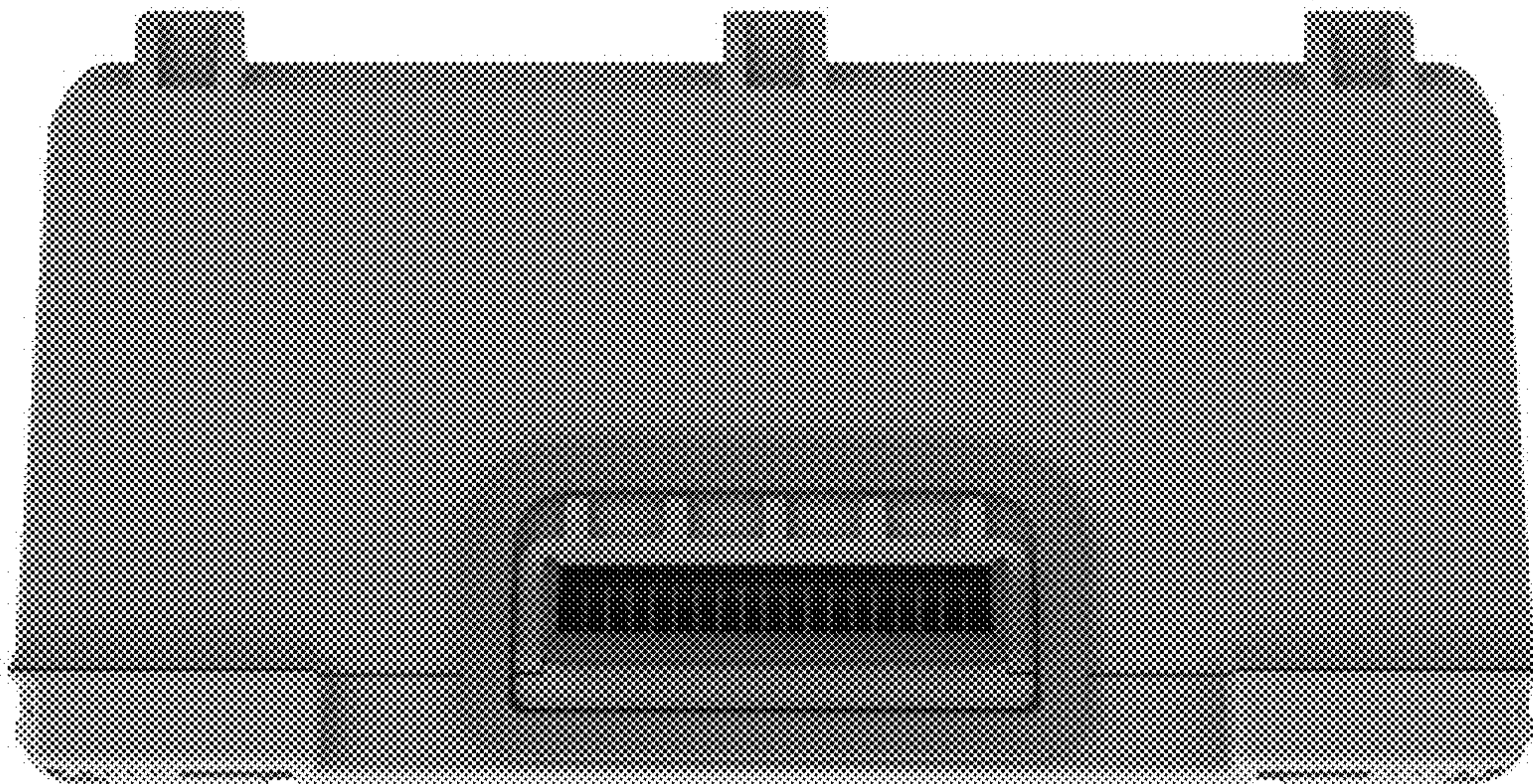


FIG. 11

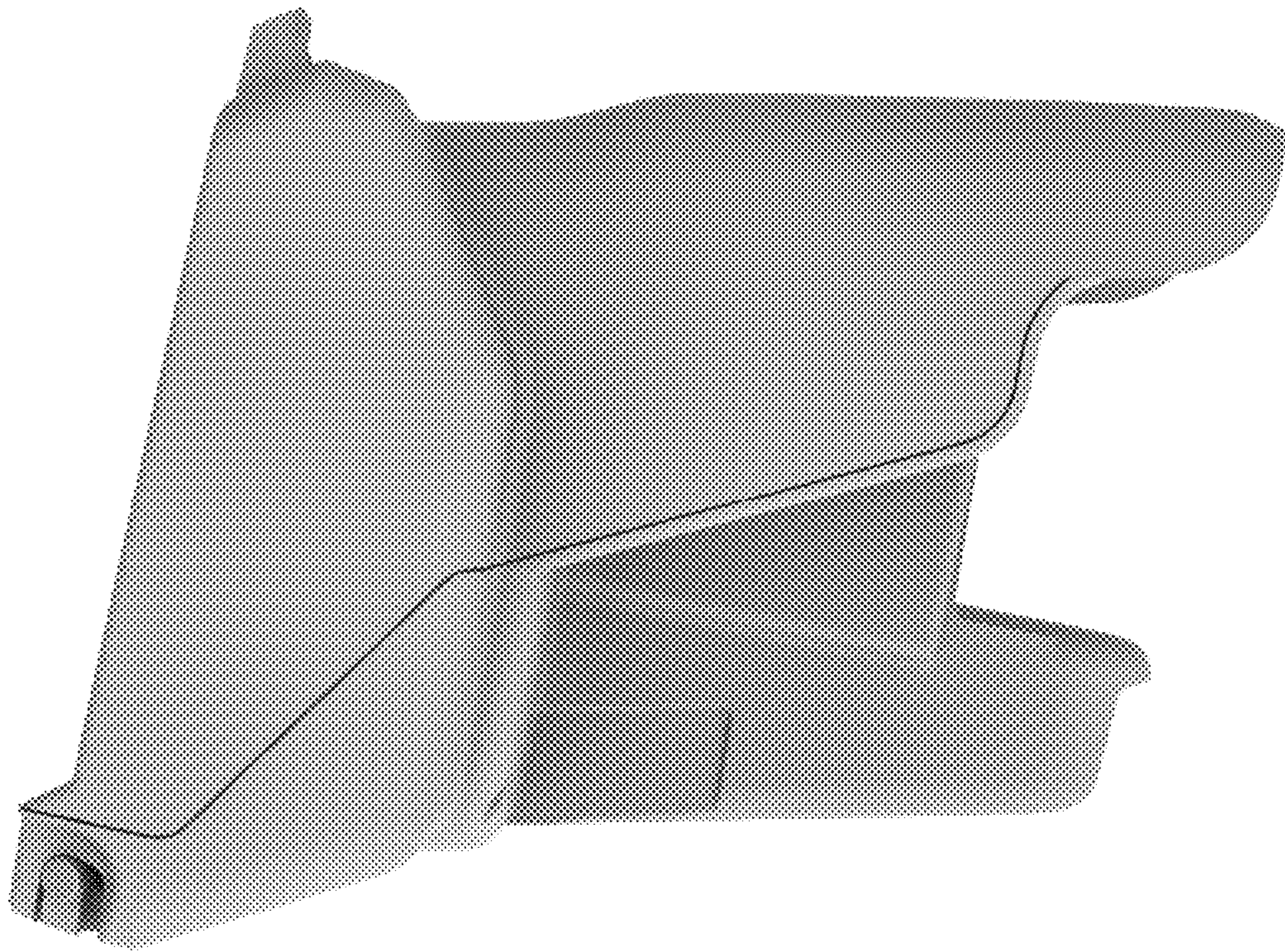


FIG. 12

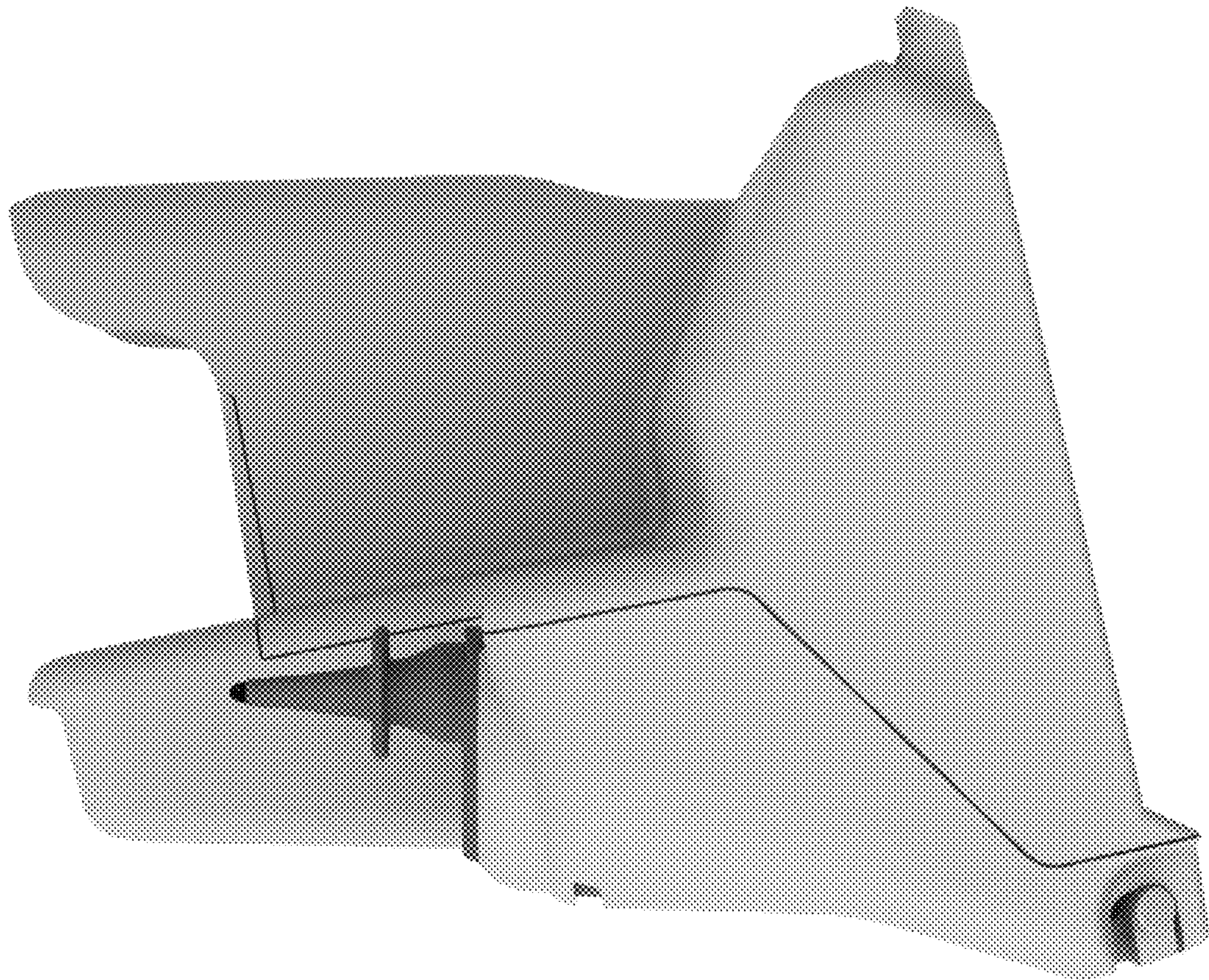


FIG. 13

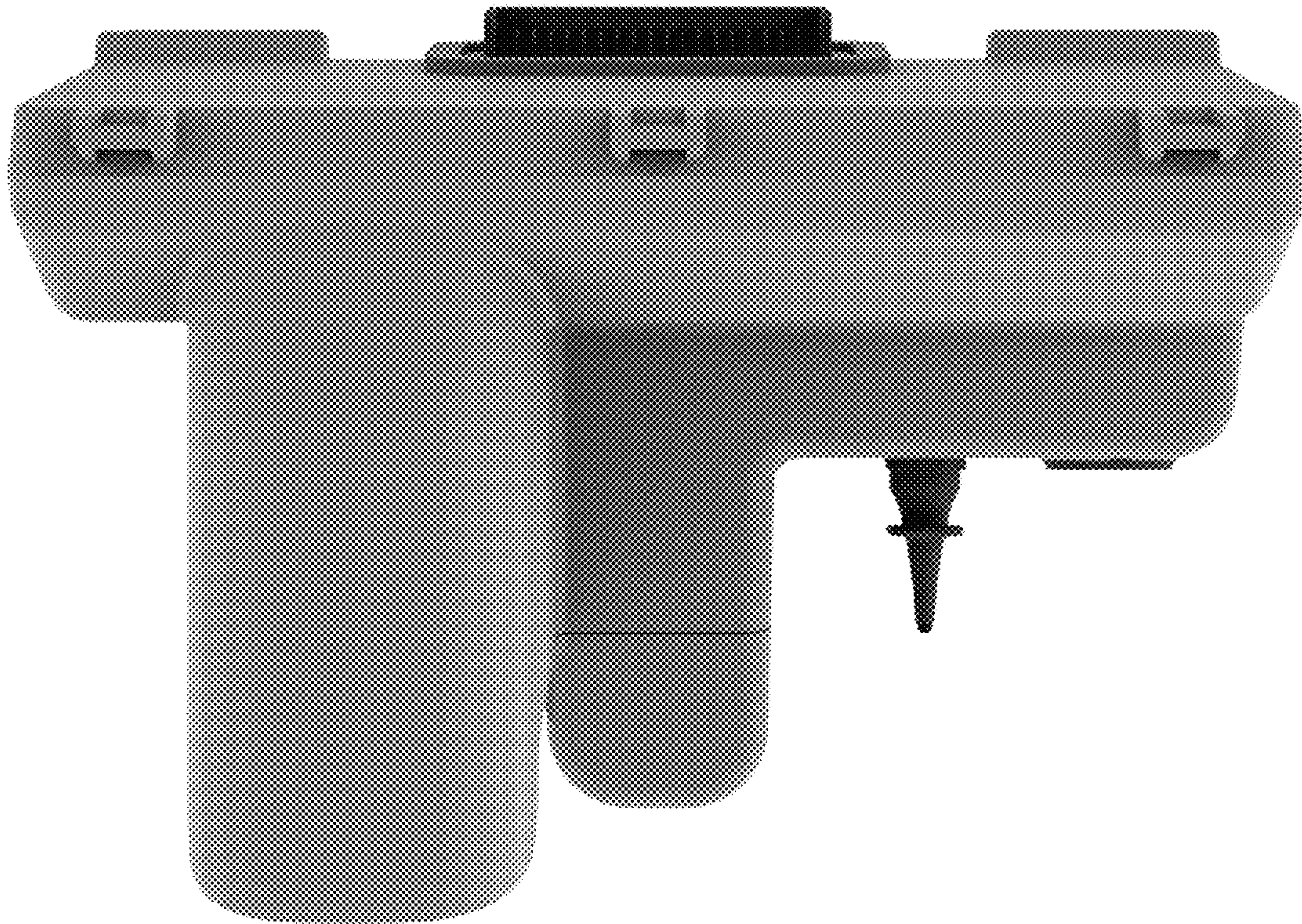


FIG. 14

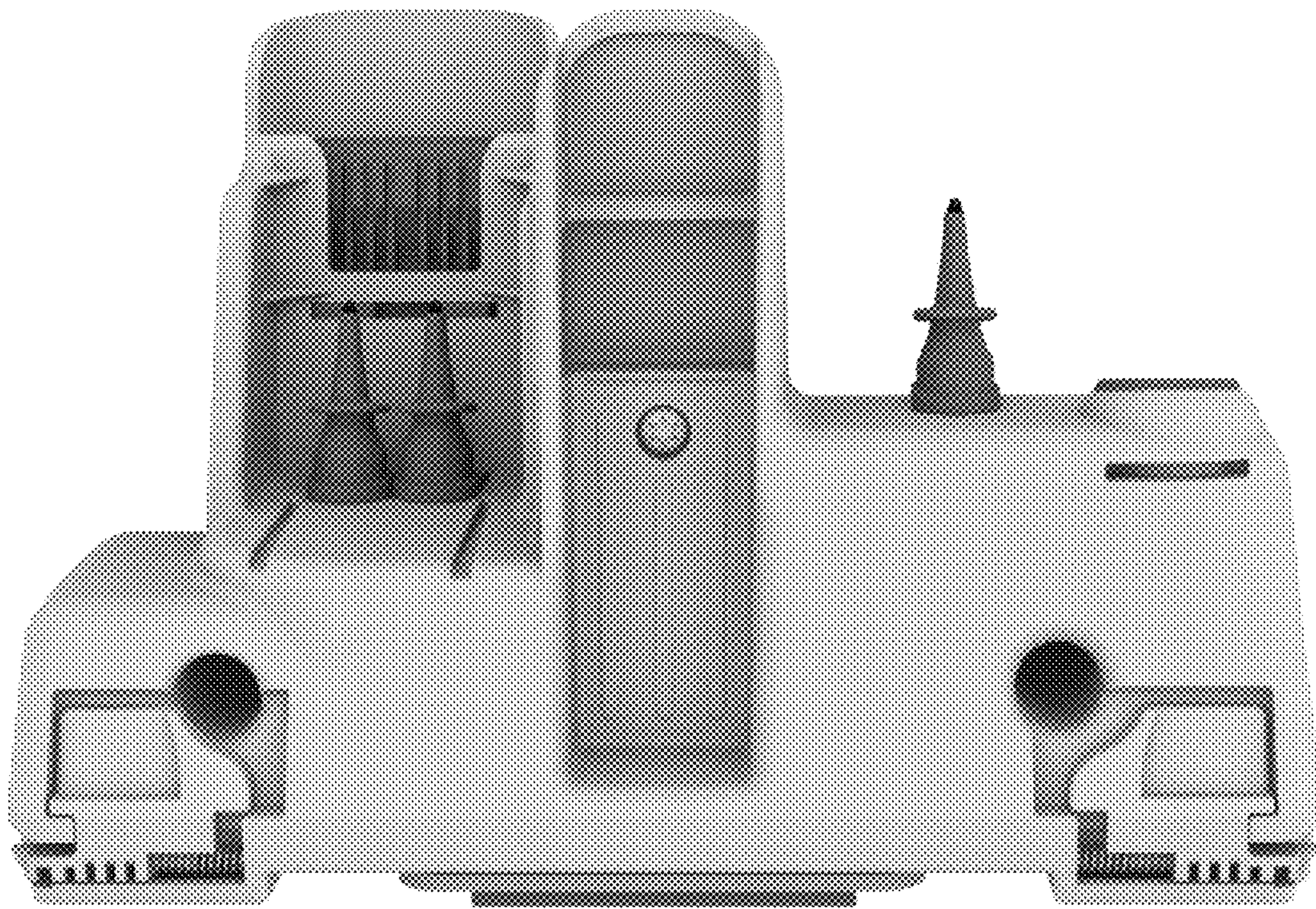


FIG. 15