



US00D828525S

(12) **United States Design Patent** (10) **Patent No.:** **US D828,525 S**  
**Cummings et al.** (45) **Date of Patent:** **\*\* Sep. 11, 2018**

(54) **RIMLESS TOILET PAN**  
(71) Applicant: **Caroma Industries Limited**, New South Wales (AU)  
(72) Inventors: **Stephen John Cummings**, New South Wales (AU); **Vincent Kai Hong Ho**, New South Wales (AU)

(73) Assignee: **Caroma Industries Limited**, Bella Vista New South Wales (AU)

(\*\*) Term: **15 Years**

(21) Appl. No.: **29/591,267**

(22) Filed: **Jan. 18, 2017**

(30) **Foreign Application Priority Data**

Jul. 26, 2016 (AU) ..... 201614064

(51) **LOC (11) Cl.** ..... **23-02**

(52) **U.S. Cl.**  
USPC ..... **D23/295**

(58) **Field of Classification Search**  
USPC ..... D23/295-303, 307, 309, 310, 313  
CPC ..... E03D 11/08; E03D 11/18; E03D 5/10;  
E03D 13/00; A47K 11/00; A47K 13/00;  
Y10S 4/05  
See application file for complete search history.

(56) **References Cited**

**U.S. PATENT DOCUMENTS**

D586,893 S \* 2/2009 Cummings ..... D23/295  
D586,894 S \* 2/2009 Cummings ..... D23/295  
D613,836 S \* 4/2010 Soulier ..... D23/295  
D615,173 S \* 5/2010 Arets ..... D23/295

D615,634 S \* 5/2010 Soulier ..... D23/295  
D622,828 S \* 8/2010 Soulier ..... D23/295  
D639,401 S \* 6/2011 Starck ..... D23/295  
D646,366 S \* 10/2011 Palomba ..... D23/301  
D658,277 S \* 4/2012 Irandi ..... D23/295  
D760,366 S \* 6/2016 Cummings ..... D23/300  
D765,228 S \* 8/2016 Cummings ..... D23/300  
2017/0198467 A1\* 7/2017 Cummings ..... E03D 11/08

\* cited by examiner

*Primary Examiner* — Celia A Murphy

*Assistant Examiner* — John A Voytek

(74) *Attorney, Agent, or Firm* — Wood, Phillips, Katz, Clark & Mortimer

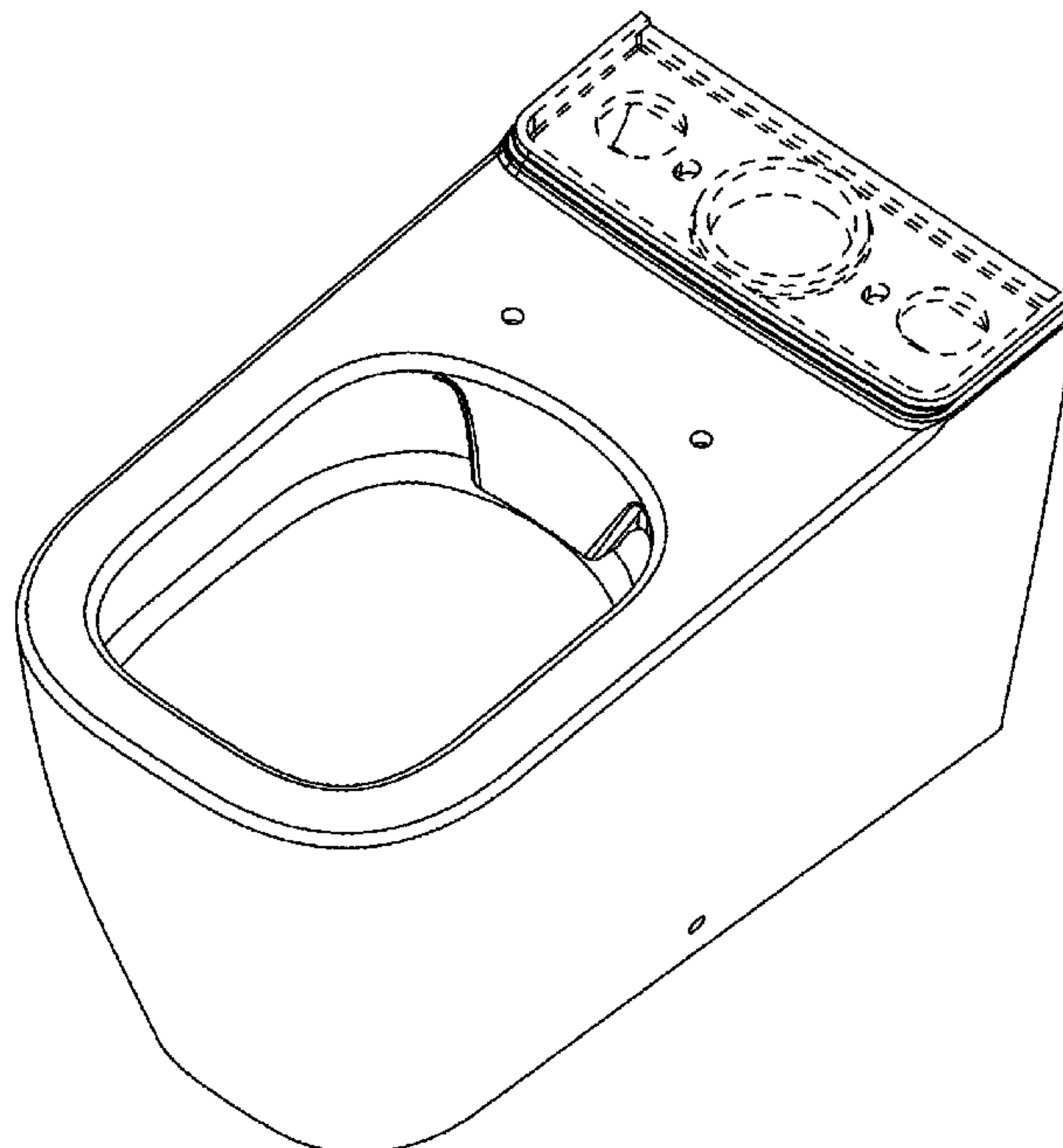
(57) **CLAIM**

The ornamental design for a rimless toilet pan, as shown and described.

**DESCRIPTION**

FIG. 1 is a perspective view taken from the top front and right side showing the rimless toilet pan;  
FIG. 2 is a perspective view taken from the top rear and right side showing the rimless toilet pan;  
FIG. 3 is a top plan view of the rimless toilet pan with section lines added;  
FIG. 4 is a rear elevation view of the rimless toilet pan;  
FIG. 5 is a left view of the rimless toilet pan with section lines added;  
FIG. 6 is a front view of the rimless toilet pan;  
FIG. 7 is a right view of the rimless toilet pan;  
FIG. 8 is a bottom view of the rimless toilet pan;  
FIG. 9 is a section taken along the line 9-9 of FIG. 3;  
FIG. 10 is a section taken along the line 10-10 of FIG. 5; and,  
FIG. 11 is a section taken along the line 11-11 of FIG. 5.

**1 Claim, 11 Drawing Sheets**



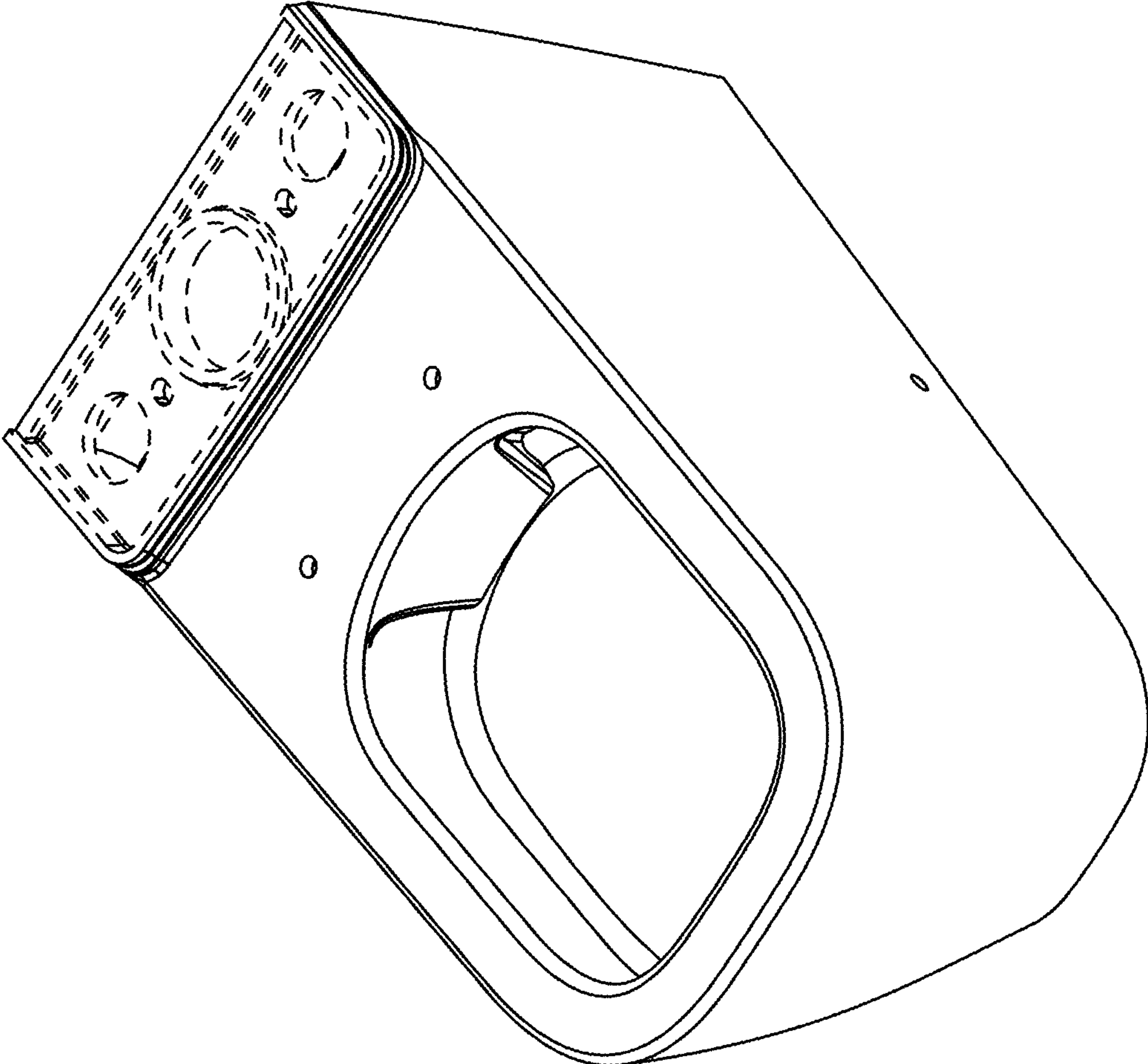


FIG. 1

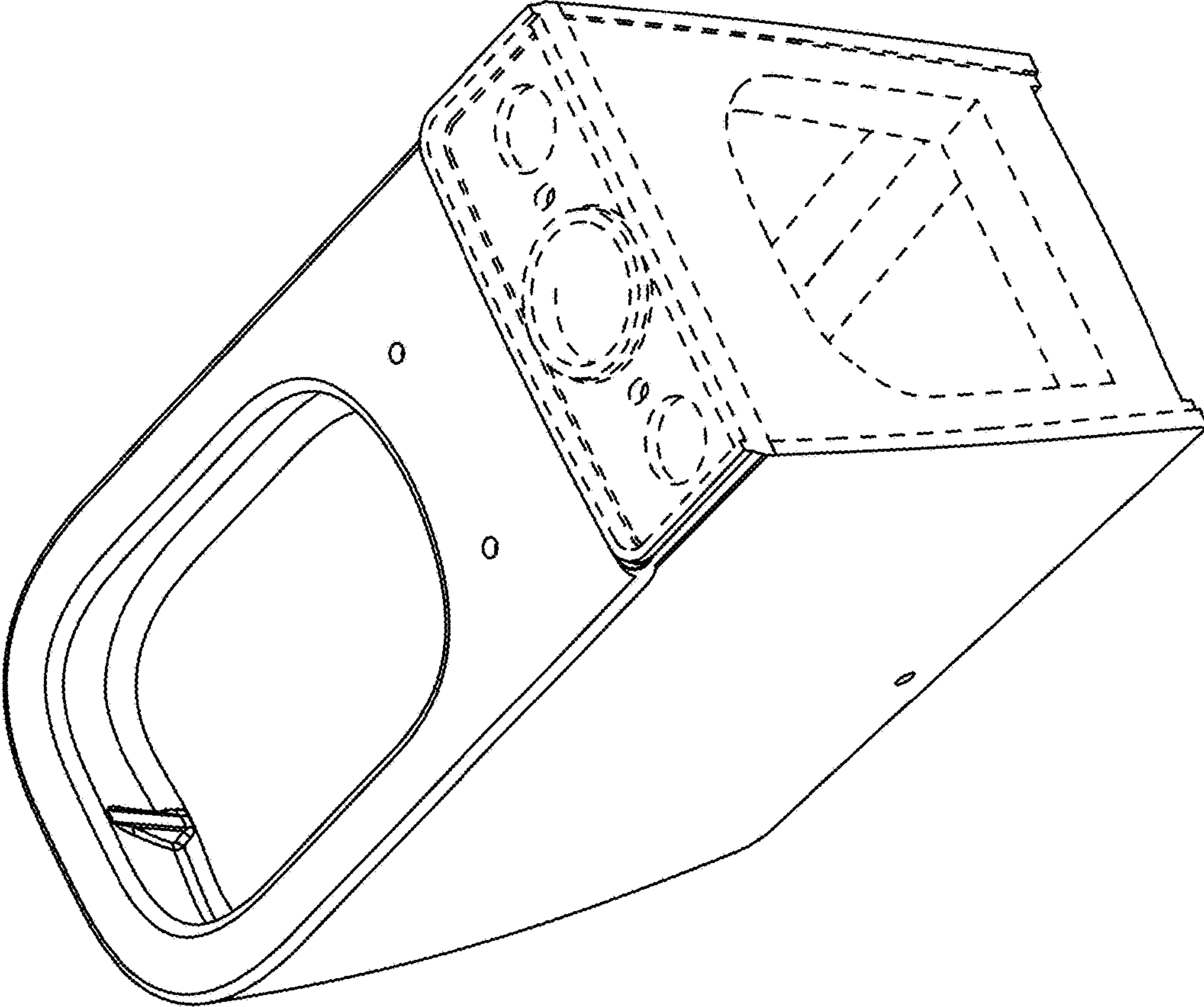


FIG. 2

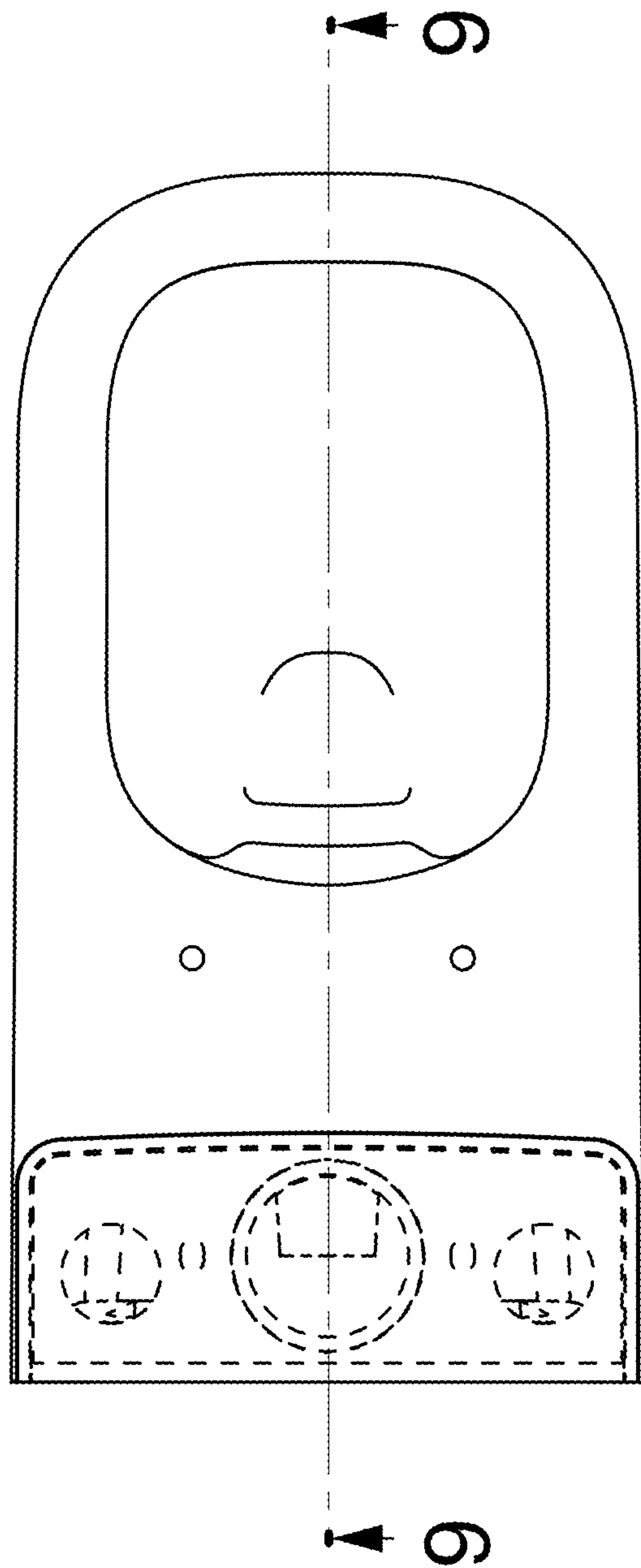


FIG. 3

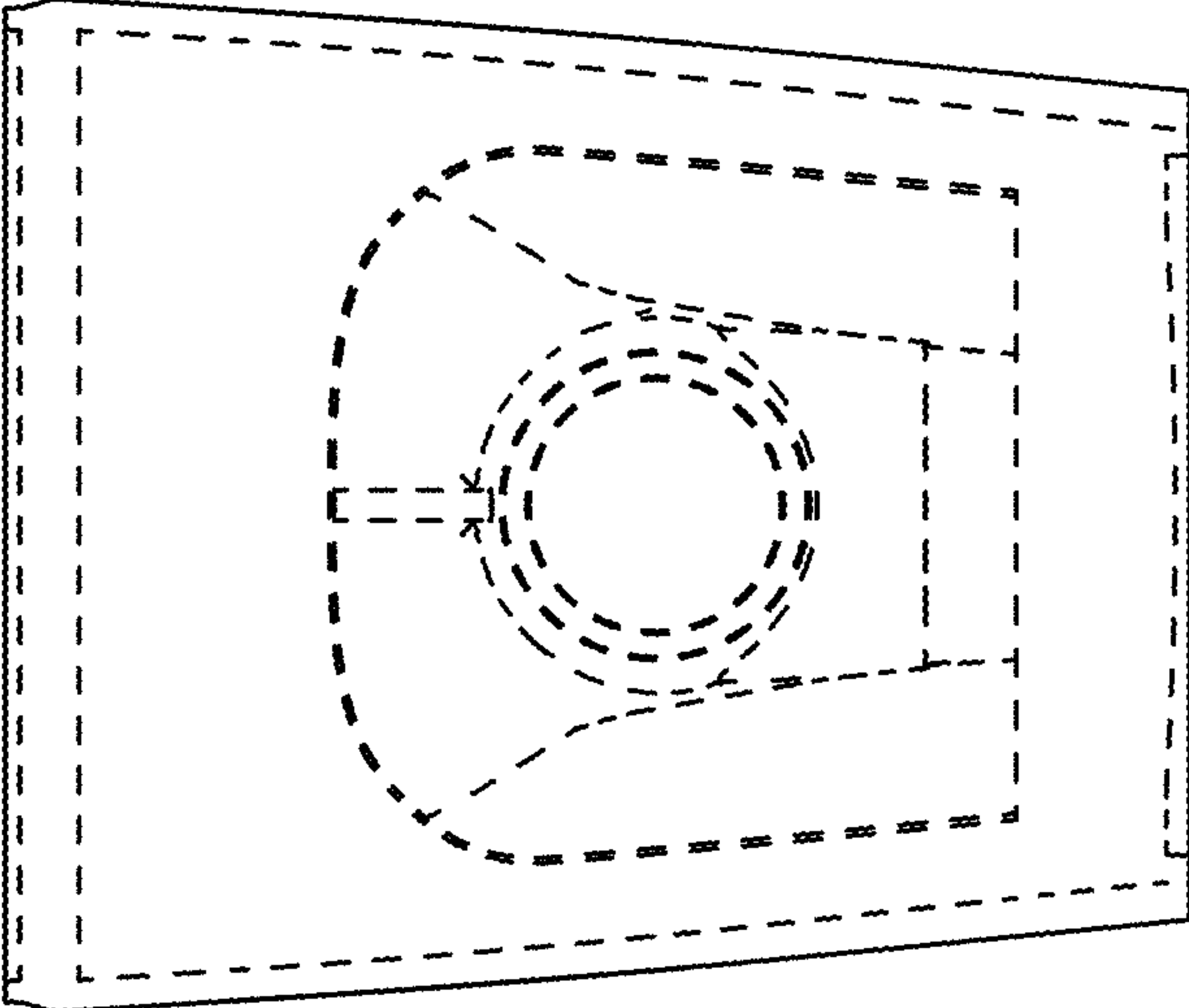


FIG. 4

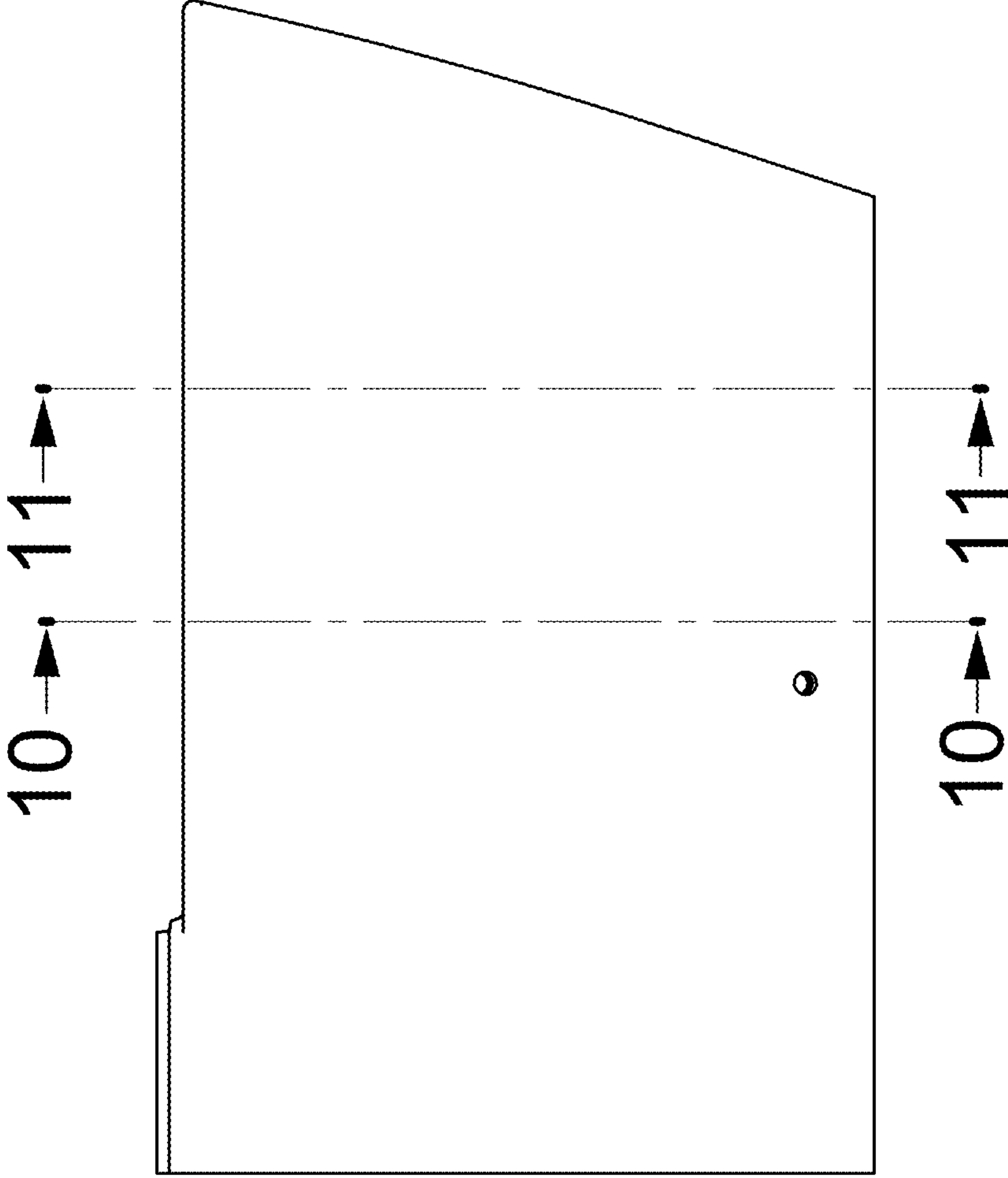


FIG. 5

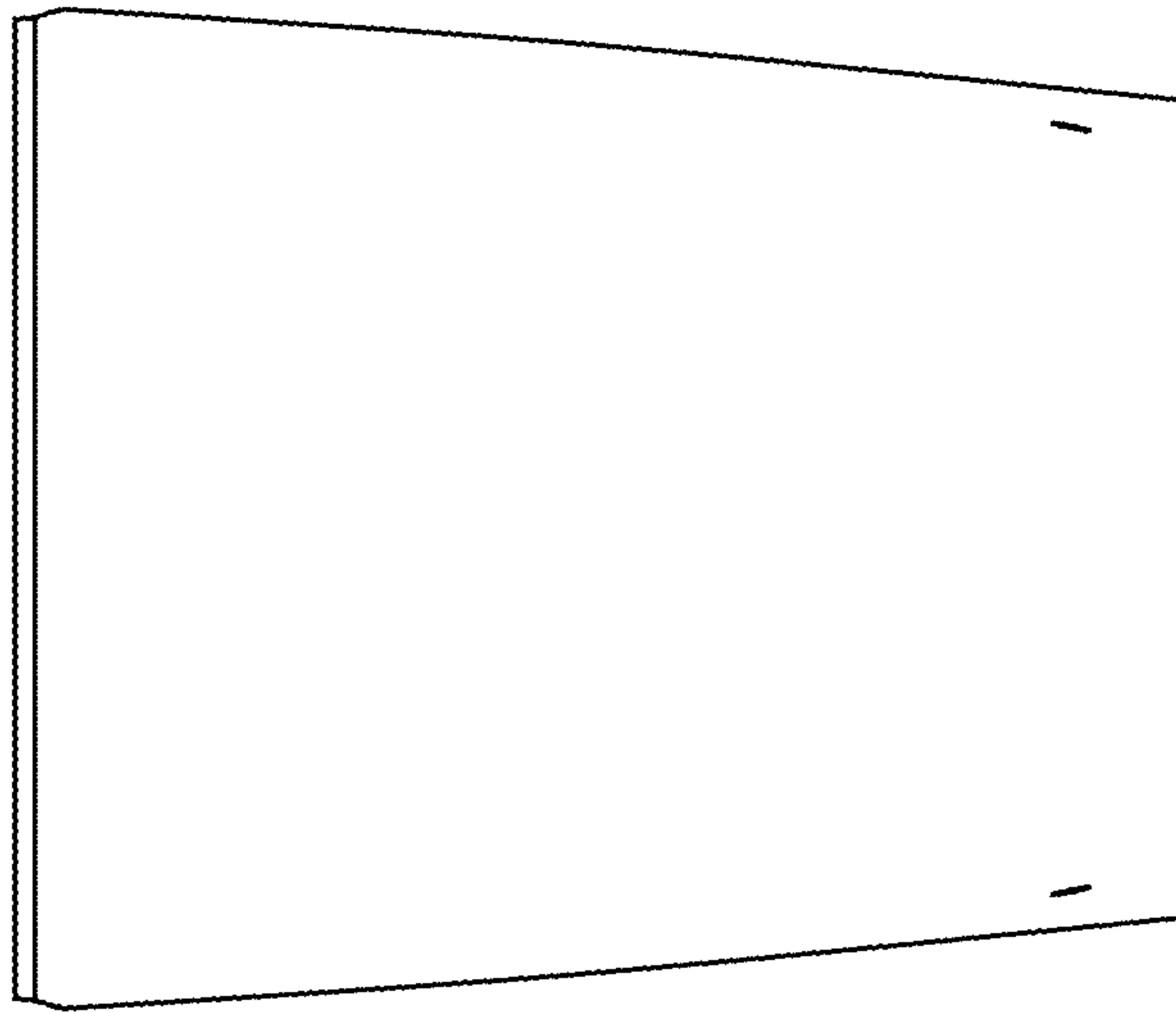


FIG. 6



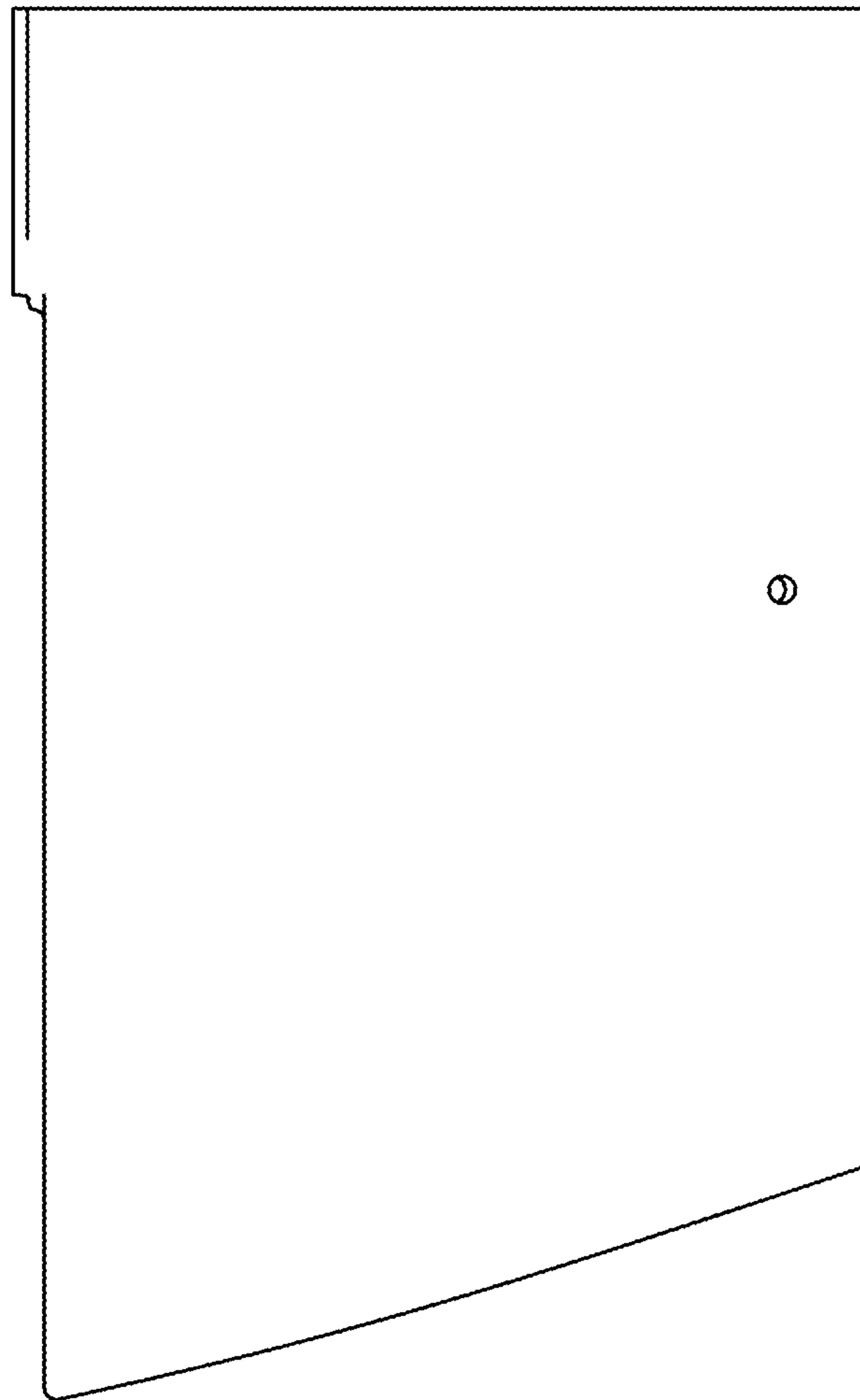


FIG. 7



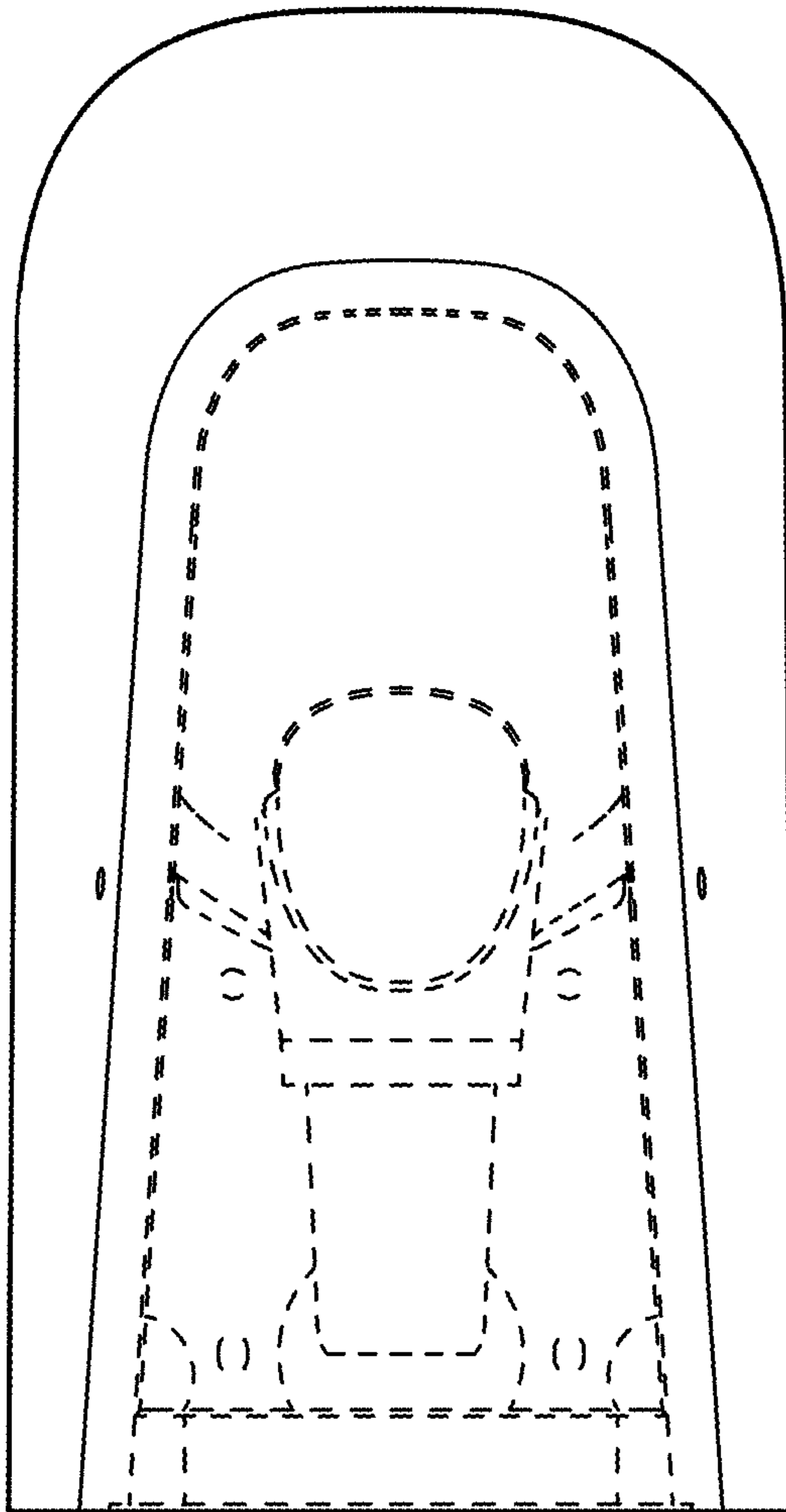


FIG. 8

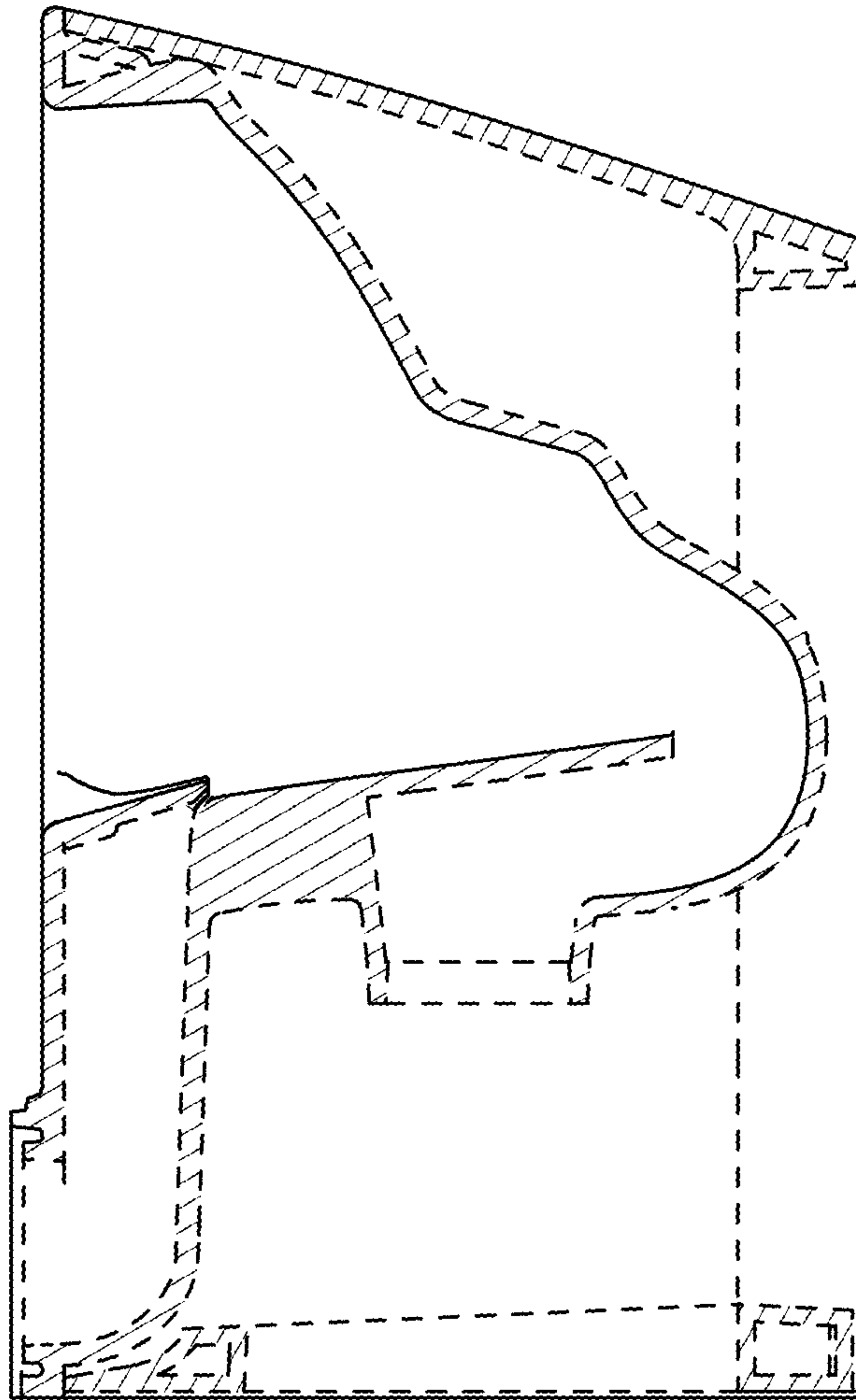


FIG. 9

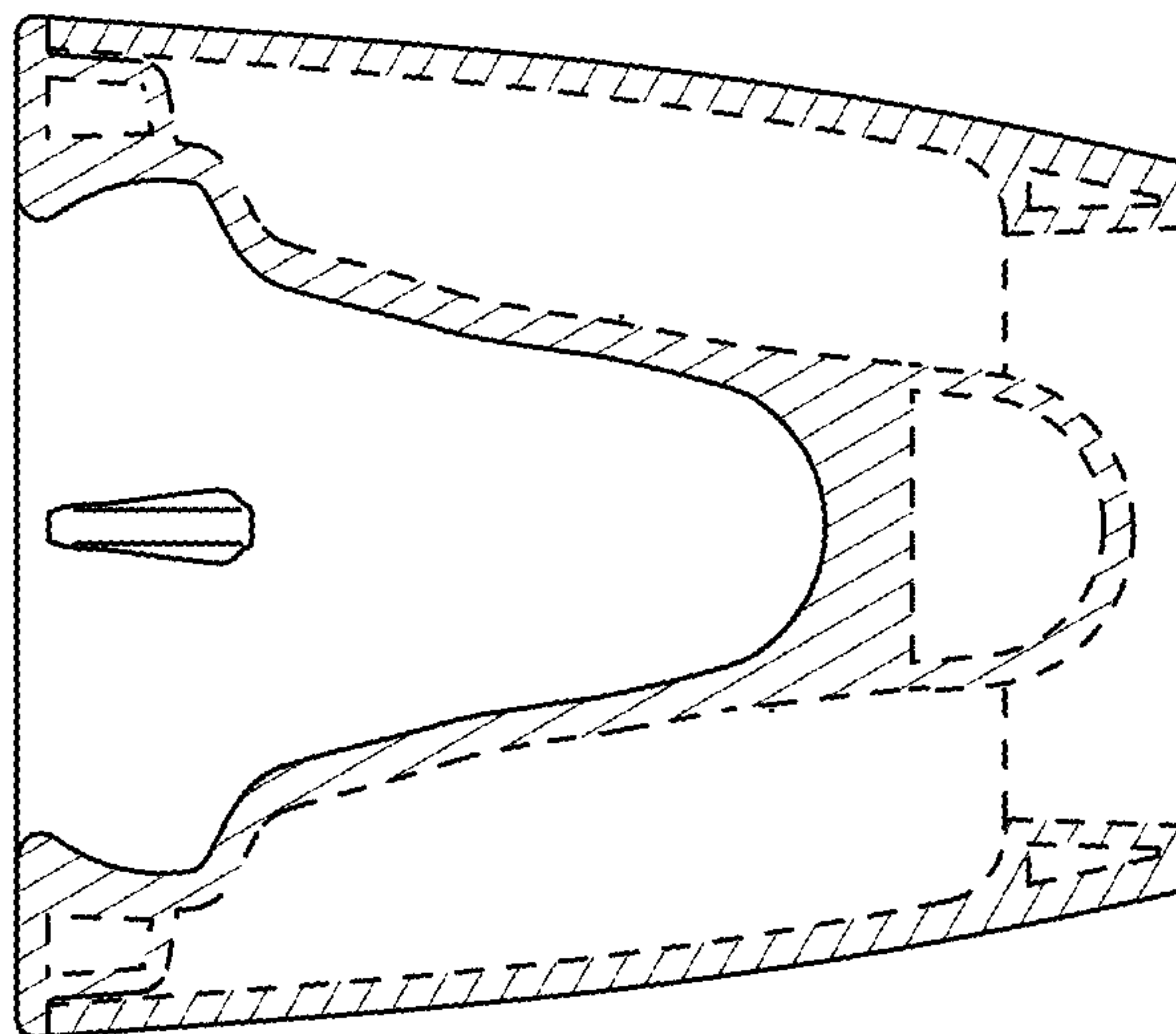


FIG. 10

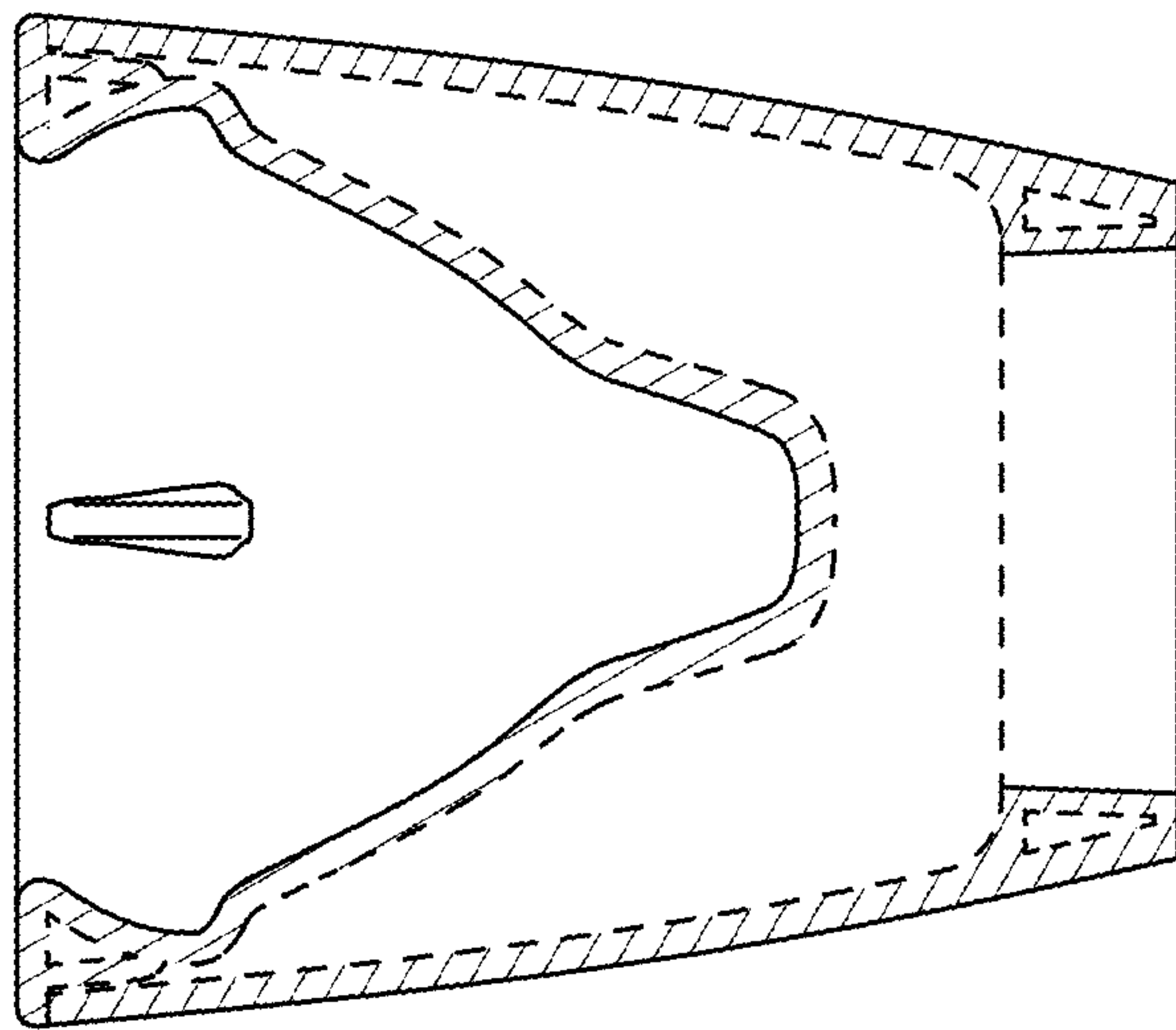


FIG. 11