



US00D828522S

(12) **United States Design Patent** (10) **Patent No.:** **US D828,522 S**
McIntosh (45) **Date of Patent:** **** Sep. 11, 2018**

(54) **CIRCULAR GALLEY DRAIN STRAINER**
(71) Applicant: **THE BOEING COMPANY**, Chicago, IL (US)
(72) Inventor: **Darren Carl McIntosh**, Mukilteo, WA (US)
(73) Assignee: **THE BOEING COMPANY**, Chicago, IL (US)

3,839,176	A	10/1974	Mccoey et al.	
5,413,705	A	5/1995	Tammera et al.	
D395,500	S *	6/1998	Ryder	D24/110.6
5,800,702	A	9/1998	Taylor-mccune	
D461,001	S *	7/2002	Hensley	D23/260
D489,797	S *	5/2004	Hall	D23/244
6,859,950	B2	3/2005	Rood	
D711,510	S *	8/2014	Halldorsson	D23/233
D715,405	S *	10/2014	McAlpine	D23/233
D722,361	S *	2/2015	Pan	D23/233
9,440,316	B2 *	9/2016	McIntosh	B23P 6/00
9,757,778	B1 *	9/2017	Kindelspire	B08B 9/032
2005/0103702	A1 *	5/2005	Zia	B01D 35/30 210/435

(**) Term: **15 Years**

(21) Appl. No.: **29/577,306**

(22) Filed: **Sep. 12, 2016**

Related U.S. Application Data

(63) Continuation-in-part of application No. 14/231,695, filed on Mar. 31, 2014, now Pat. No. 9,440,316.

(51) **LOC (11) Cl.** **23-01**

(52) **U.S. Cl.**
USPC **D23/261**; D23/233

(58) **Field of Classification Search**
USPC D23/259-261, 262, 268; 210/156, 163, 210/157-159, 162, 164-165, 232, 153, 210/447, 498; 4/222.1, 255.07, 286-293, 4/680-682, 694, 294-295, 652
CPC ... E03C 1/23; E03C 1/26; E03C 1/262; E03C 1/22; E03C 1/264; E03C 1/03; B63B 29/22; B63P 6/00; B01D 35/02
See application file for complete search history.

(56) **References Cited**

U.S. PATENT DOCUMENTS

3,070,345	A *	12/1962	Knecht	F16K 1/223 126/285 R
3,179,253	A *	4/1965	McNeal	B01D 29/33 210/315
3,681,562	A *	8/1972	Winzen	B01D 29/05 210/445

(Continued)

OTHER PUBLICATIONS

US Patent and Trademark Office; Office Action issued in U.S. Appl. No. 14/231,695 dated Feb. 5, 2016.

Primary Examiner — Eric L Goodman

Assistant Examiner — Amy C Wierenga

(74) *Attorney, Agent, or Firm* — Parsons Behle & Latimer

(57) **CLAIM**

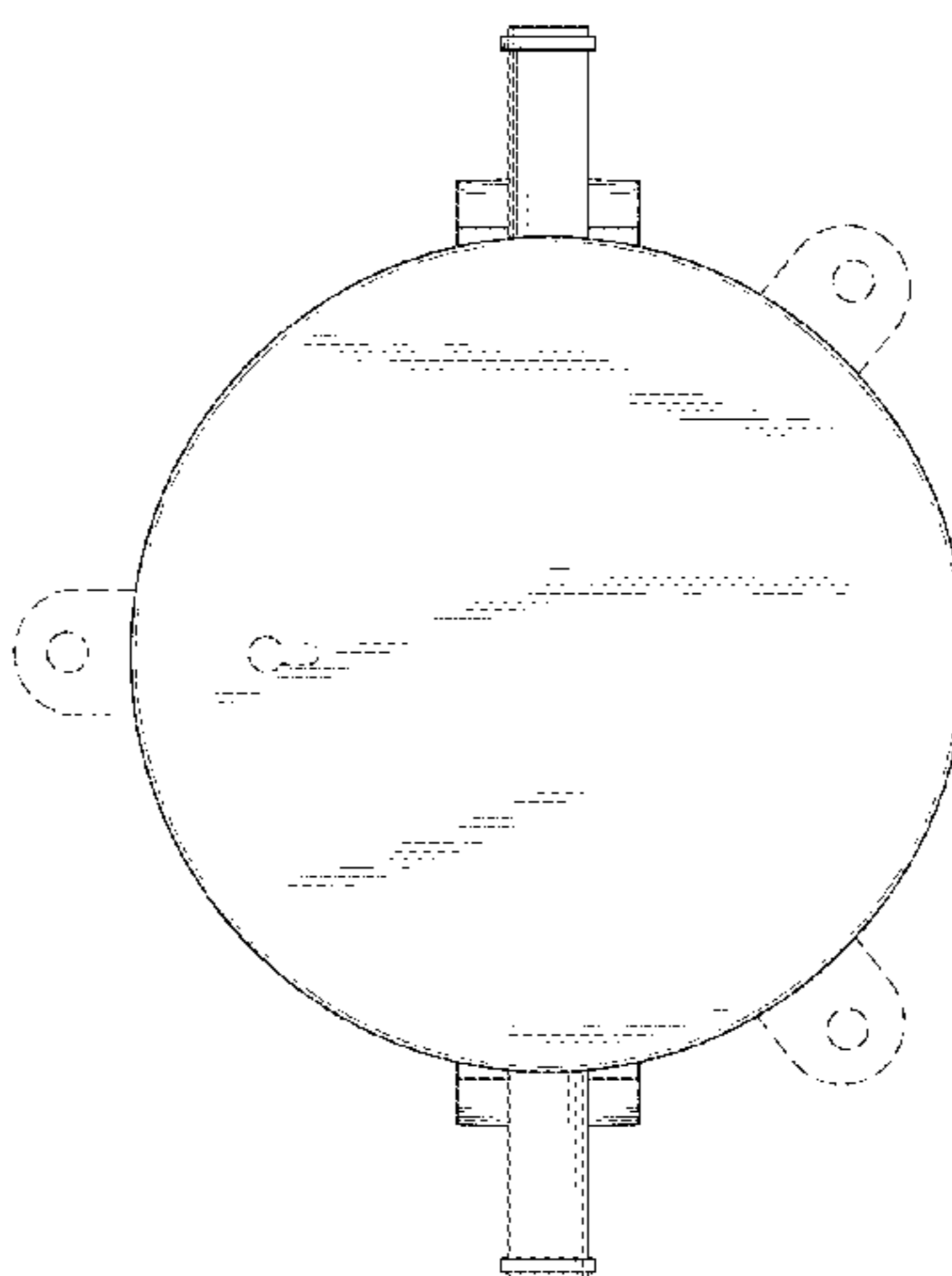
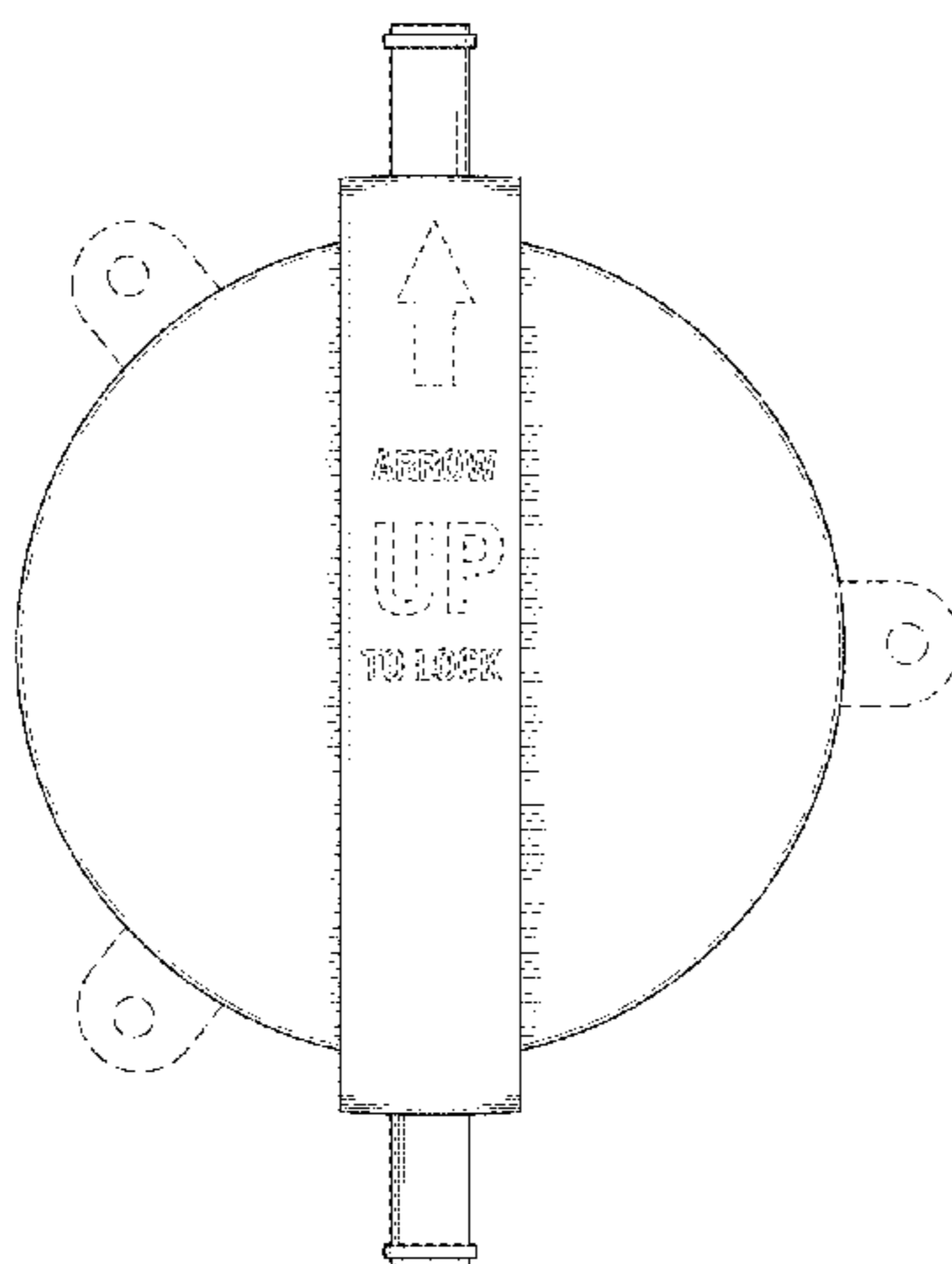
The ornamental design for a circular galley drain strainer, as shown.

DESCRIPTION

FIG. 1 is a perspective view showing the circular galley drain strainer showing my new design; FIG. 2 is a front plan view thereof; FIG. 3 is a rear plan view thereof; FIG. 4 is a left side elevational view thereof; FIG. 5 is a right side elevational view thereof; FIG. 6 is a top elevational view thereof; and, FIG. 7 is a bottom elevational view thereof.

The broken lines shown in the drawings depict portions of the circular galley drain strainer that form no part of the claim.

1 Claim, 3 Drawing Sheets



(56)

References Cited

U.S. PATENT DOCUMENTS

2010/0024107 A1* 2/2010 Stimpson E03C 1/22
4/293
2015/0136678 A1 5/2015 Lopez

* cited by examiner

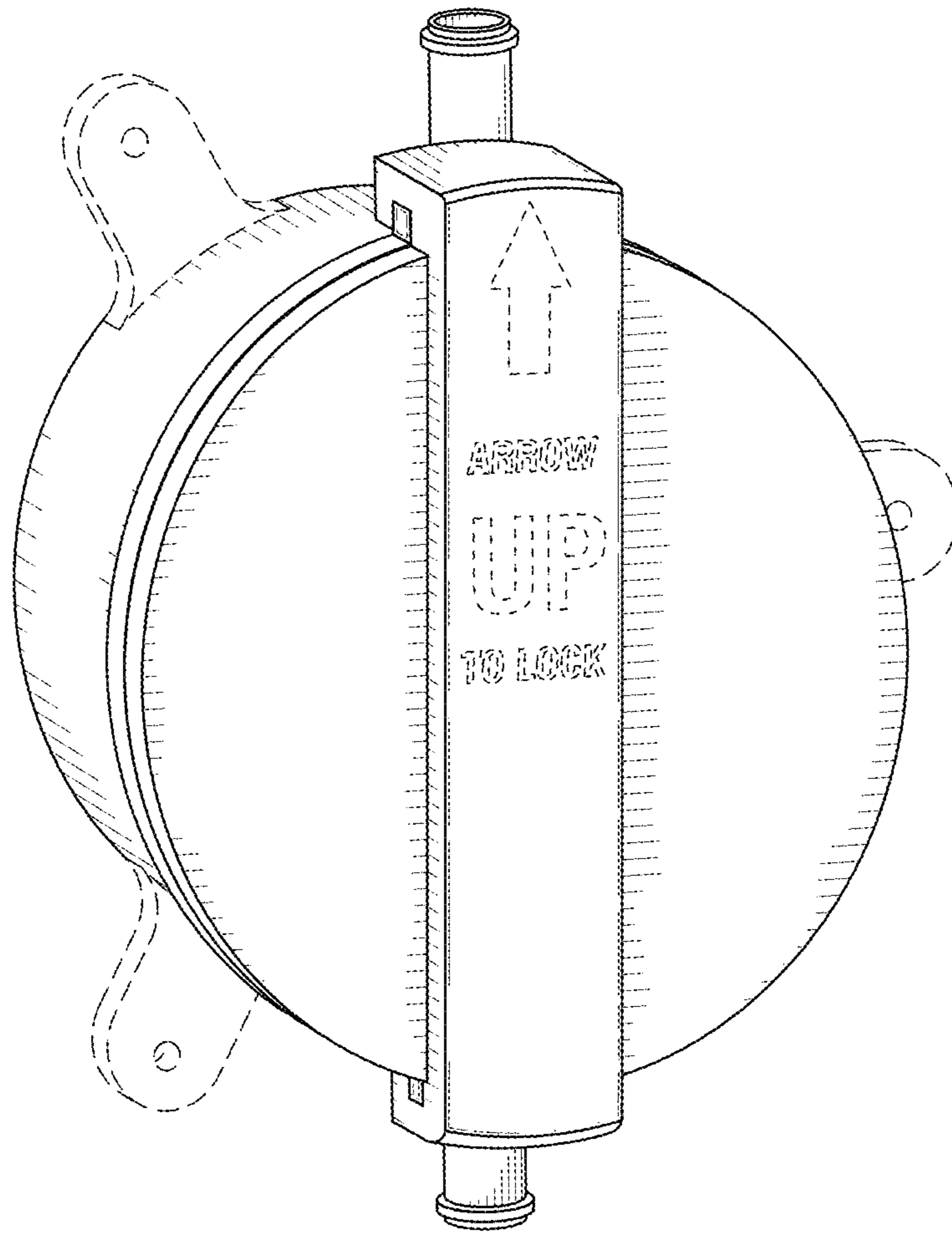


FIG. 1

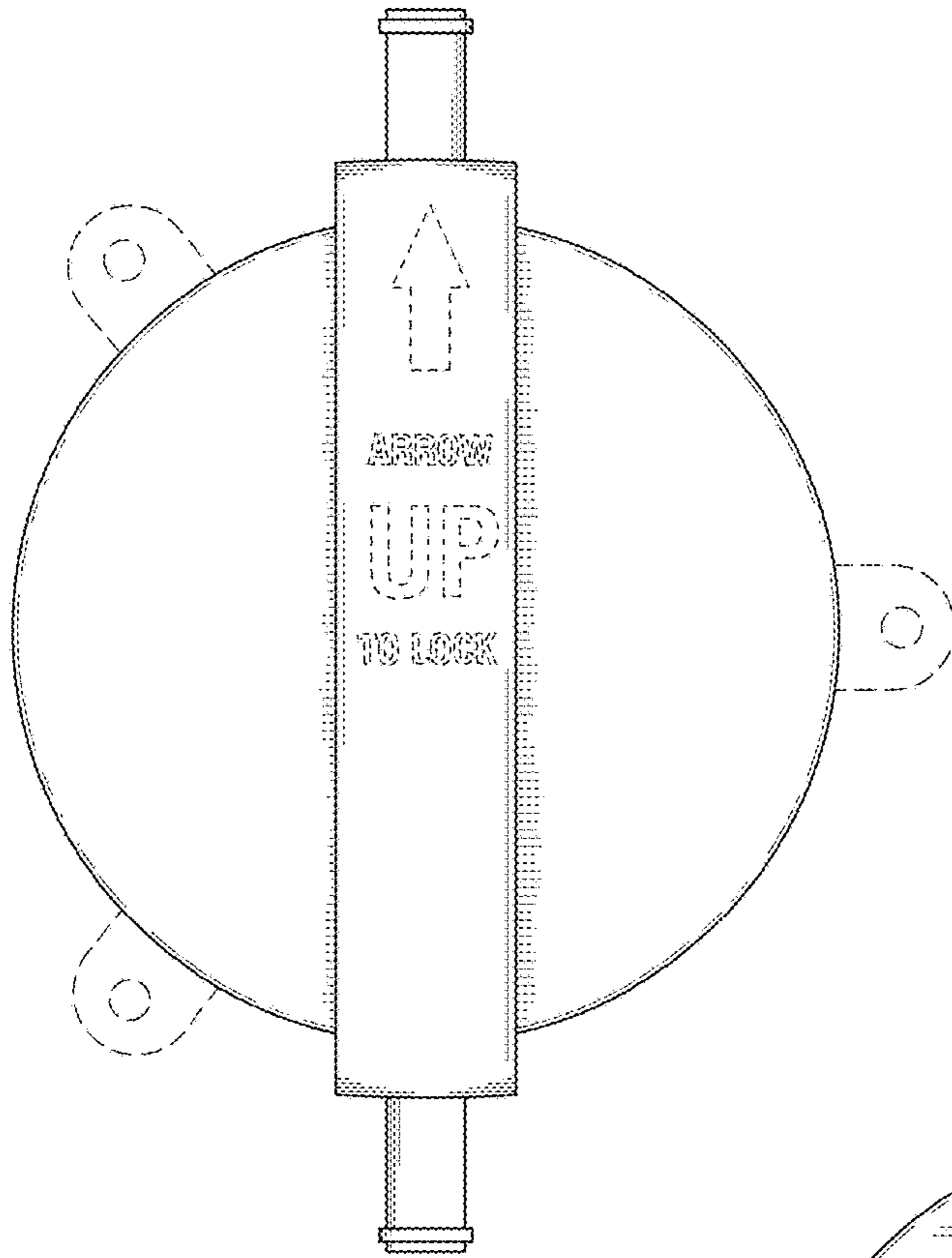


FIG. 2

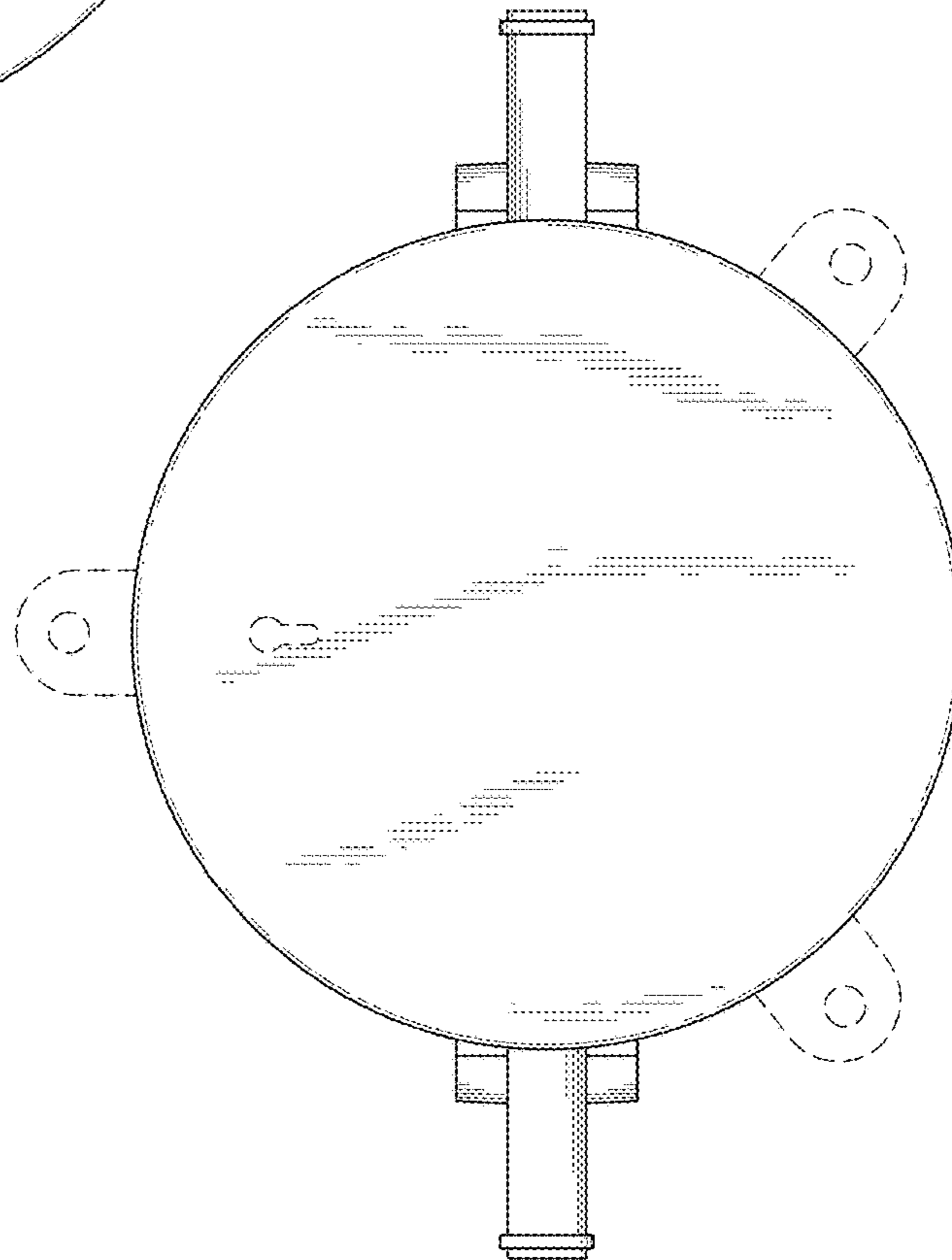


FIG. 3

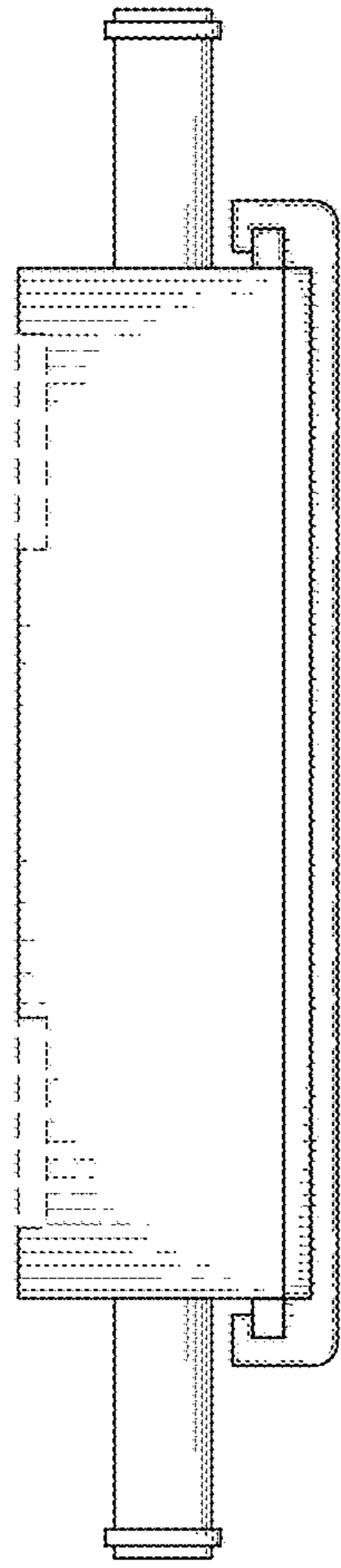


FIG. 4

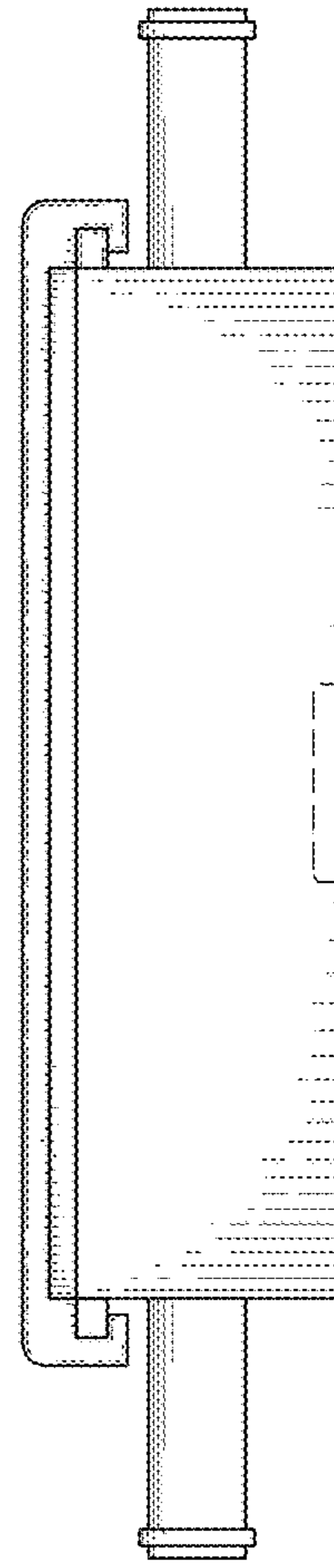


FIG. 5

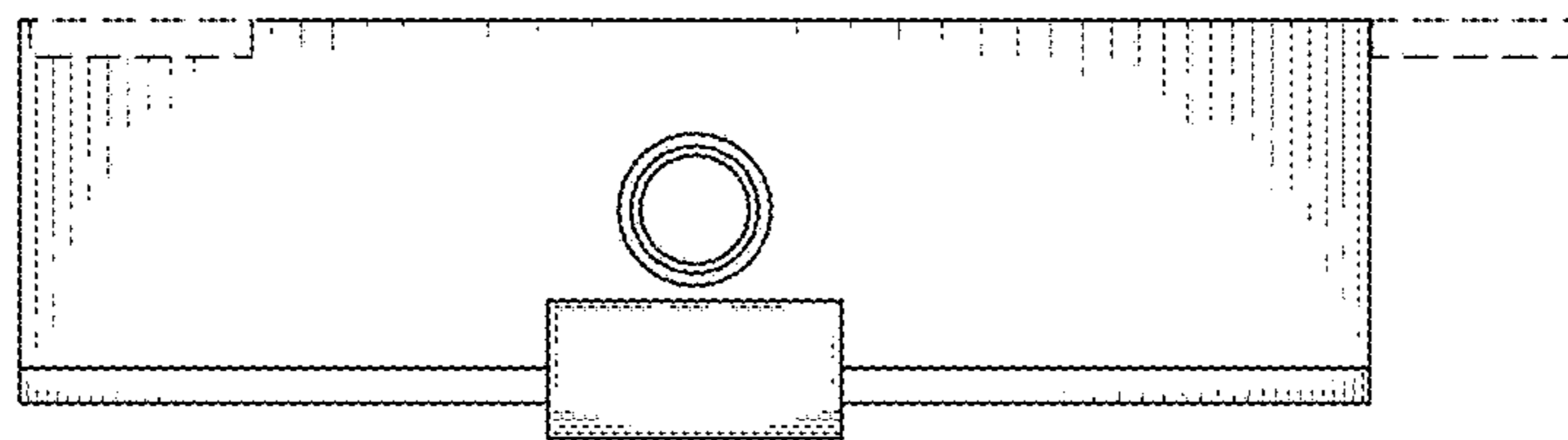


FIG. 6

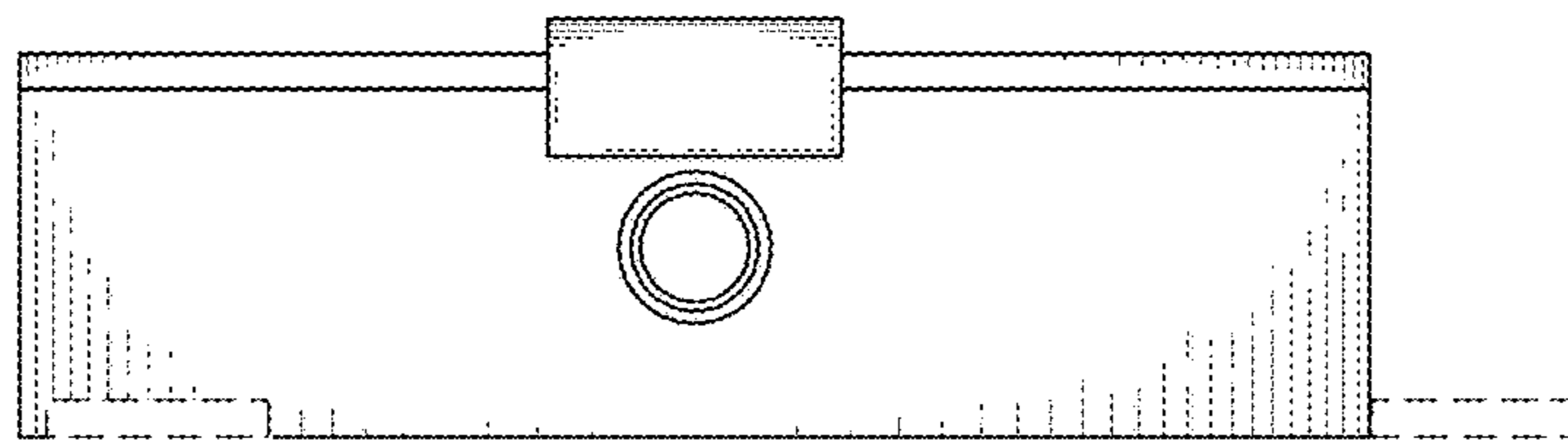


FIG. 7