



US00D828521S

(12) **United States Design Patent**  
**Dallmer**

(10) **Patent No.:** **US D828,521 S**  
(45) **Date of Patent:** **\*\* Sep. 11, 2018**

(54) **DRAIN**

(71) Applicant: **Dallmer GmbH & Co. KG**, Arnsberg (DE)

(72) Inventor: **Johannes Dallmer**, Arnsberg (DE)

(\*\*) Term: **14 Years**

(21) Appl. No.: **29/498,849**

(22) Filed: **Aug. 8, 2014**

(30) **Foreign Application Priority Data**

Mar. 13, 2014 (EP) ..... 002424150

(51) **LOC (11) Cl.** ..... **23-01**

(52) **U.S. Cl.**  
USPC ..... **D23/261**

(58) **Field of Classification Search**  
USPC ..... D23/259–263, 266–269, 233; 251/215, 251/216

CPC ..... F16L 11/00; F16L 37/252; F16L 41/007; E03C 1/26; E03C 1/262; E03C 1/28; E03F 5/04; A61B 5/00; A61M 25/09016

See application file for complete search history.

(56) **References Cited**

**U.S. PATENT DOCUMENTS**

D110,435 S \* 7/1938 Lowry ..... D25/119  
2,231,982 A \* 2/1941 Zalkind ..... B65D 5/5035  
138/111  
4,598,516 A \* 7/1986 Groshong ..... E04B 2/825  
52/241

(Continued)

*Primary Examiner* — Sandra Snapp

(74) *Attorney, Agent, or Firm* — Welsh Flaxman & Gitler LLC

(57) **CLAIM**

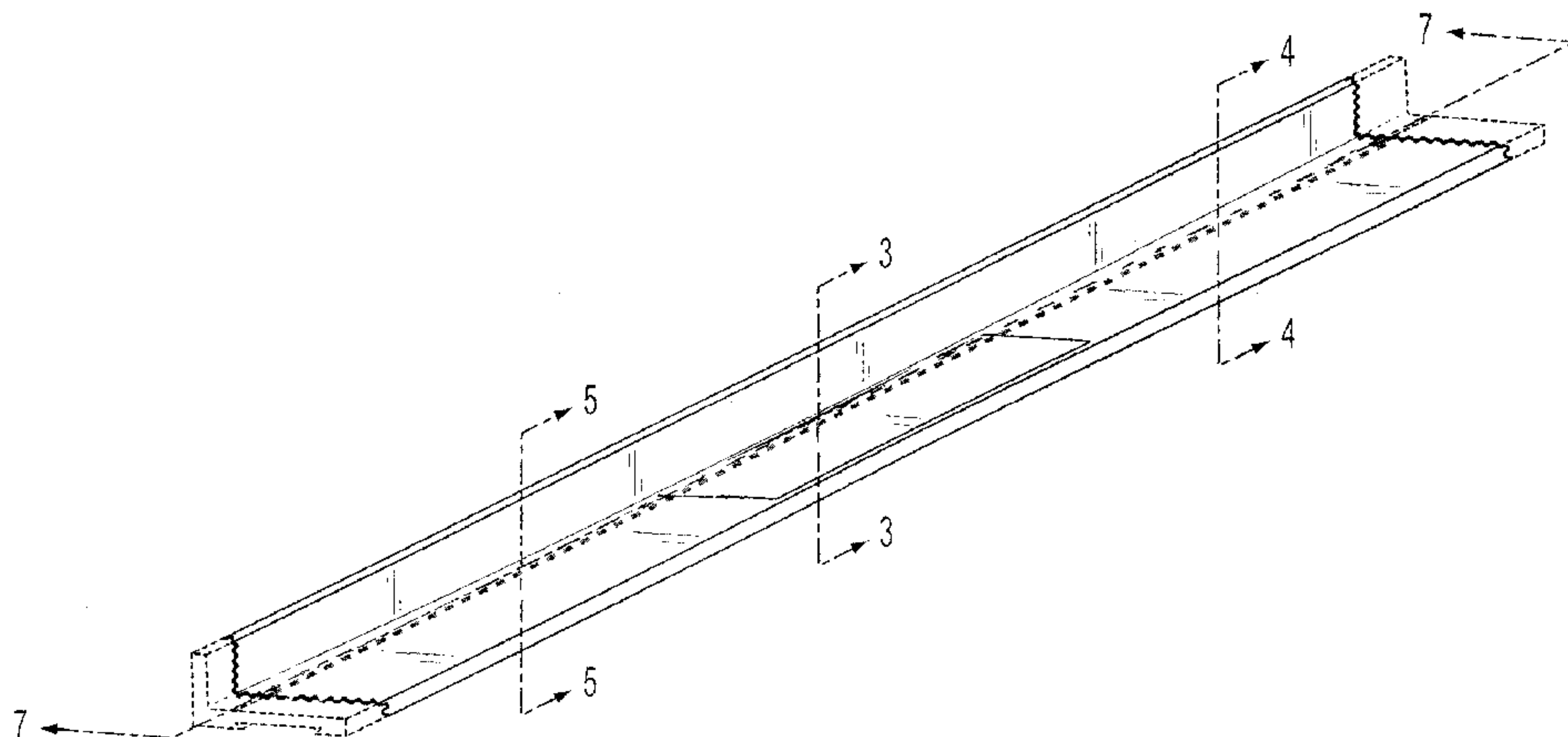
The ornamental design for a drain, as shown and described.

**DESCRIPTION**

FIG. 1 is a top plan view of the drain;  
FIG. 2 is a perspective view of the drain shown in FIG. 1;  
FIG. 3 is a cross-sectional view of the drain taken along line 3-3 in FIG. 2;  
FIG. 4 is a cross-sectional view of the drain taken along line 4-4 in FIG. 2;  
FIG. 5 is a cross-sectional view of the drain taken along line 5-5 in FIG. 2;  
FIG. 6 is a front elevation view of the drain shown in FIG. 1;  
FIG. 7 is a cross-sectional view of the drain taken along line 7-7 in FIG. 2;  
FIG. 8 is a top plan view of a second variant of the drain;  
FIG. 9 is a front elevation view of the second variant of the drain shown in FIG. 8;  
FIG. 10 is a cross-sectional view of the second variant of the drain taken along line 10-10 in FIG. 8;  
FIG. 11 is a cross-sectional view of the second variant of the drain taken along line 11-11 in FIG. 8;  
FIG. 12 is a cross-sectional view of the second variant of the drain taken along line 12-12 in FIG. 8;  
FIG. 13 is a cross-sectional view of the second variant of the drain taken along line 13-13 in FIG. 8; and,  
FIGS. 14 and 15 are detailed views along the Sections “14” and “15,” respectively, in FIG. 10.

The design consists of the visual features of the portions of the drain shown in solid lines in the drawings, whether those features are features of one of shape, configuration, ornament or pattern or a combination of any of these features. The portions shown in stippled lines are for illustrative purposes only and form no part of the claimed design. The bold, wavy lines do not constitute a feature of the design, and are included for illustrative purposes only in order to define the boundary of the design. The zig-zag lines illustrate an indefinite length of the design, and are included for illustrative purposes only.

**1 Claim, 15 Drawing Sheets**



(56)

**References Cited**

U.S. PATENT DOCUMENTS

D339,641 S \* 9/1993 Leufstedt ..... D25/119  
5,271,585 A \* 12/1993 Zetena, Jr. .... G02B 6/4459  
174/95  
5,359,143 A \* 10/1994 Simon ..... H02G 3/0608  
138/157  
D379,524 S \* 5/1997 Leonelli ..... D25/119  
D415,412 S \* 10/1999 Chavers ..... D8/403  
D455,851 S \* 4/2002 Wareham ..... D26/28  
D472,456 S \* 4/2003 Snyder ..... D8/353  
6,932,303 B2 \* 8/2005 Snyder ..... F16L 3/233  
248/58  
D539,754 S \* 4/2007 Makwinski ..... D13/139.2  
D576,106 S \* 9/2008 Sayres ..... D13/155  
D576,107 S \* 9/2008 Sayres ..... D13/155  
D605,930 S \* 12/2009 Piersant ..... D8/381  
D717,652 S \* 11/2014 Rego Garcia de Alba .... D9/456

\* cited by examiner

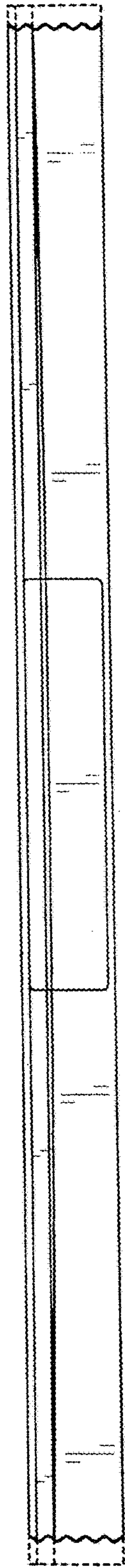


FIG. 1

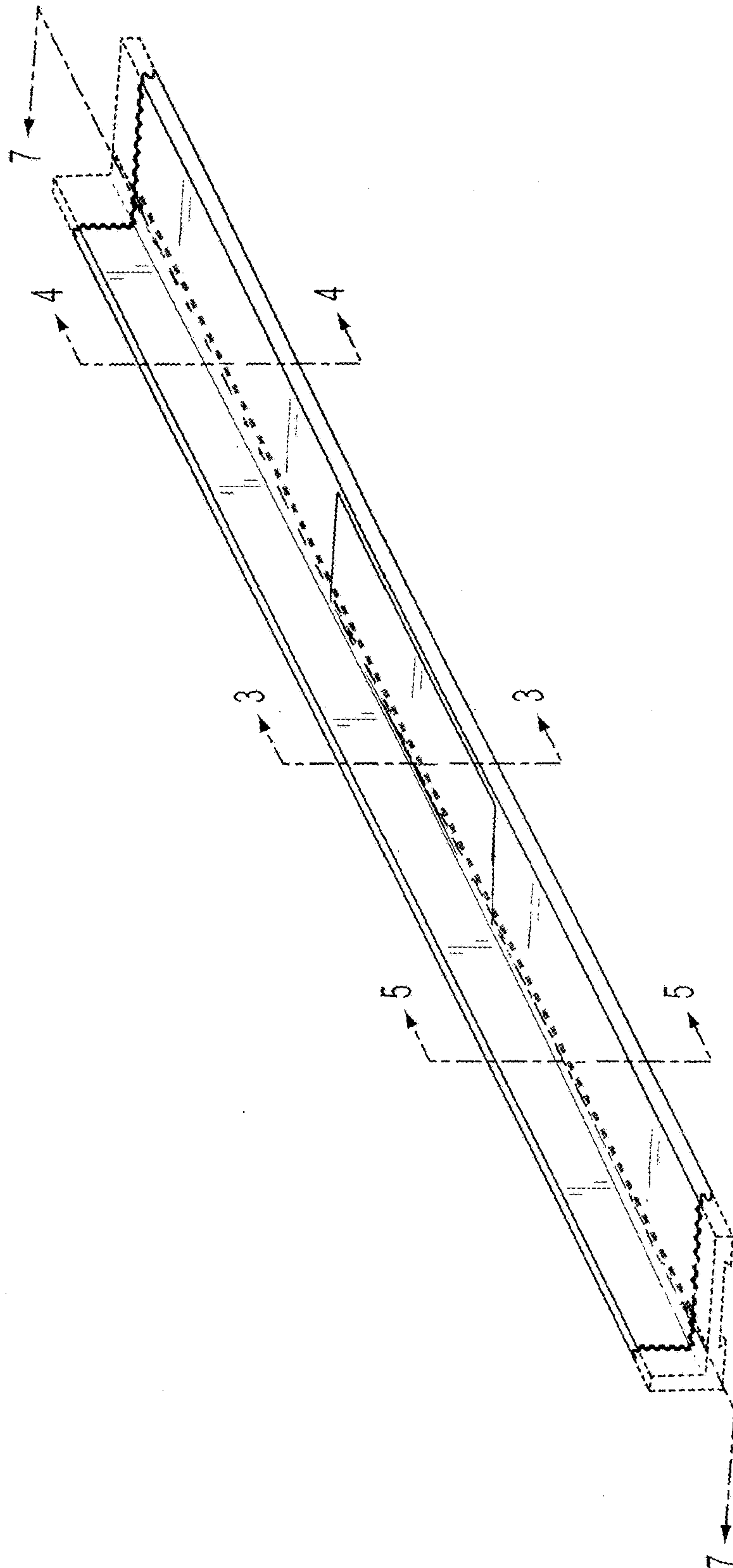


FIG. 2

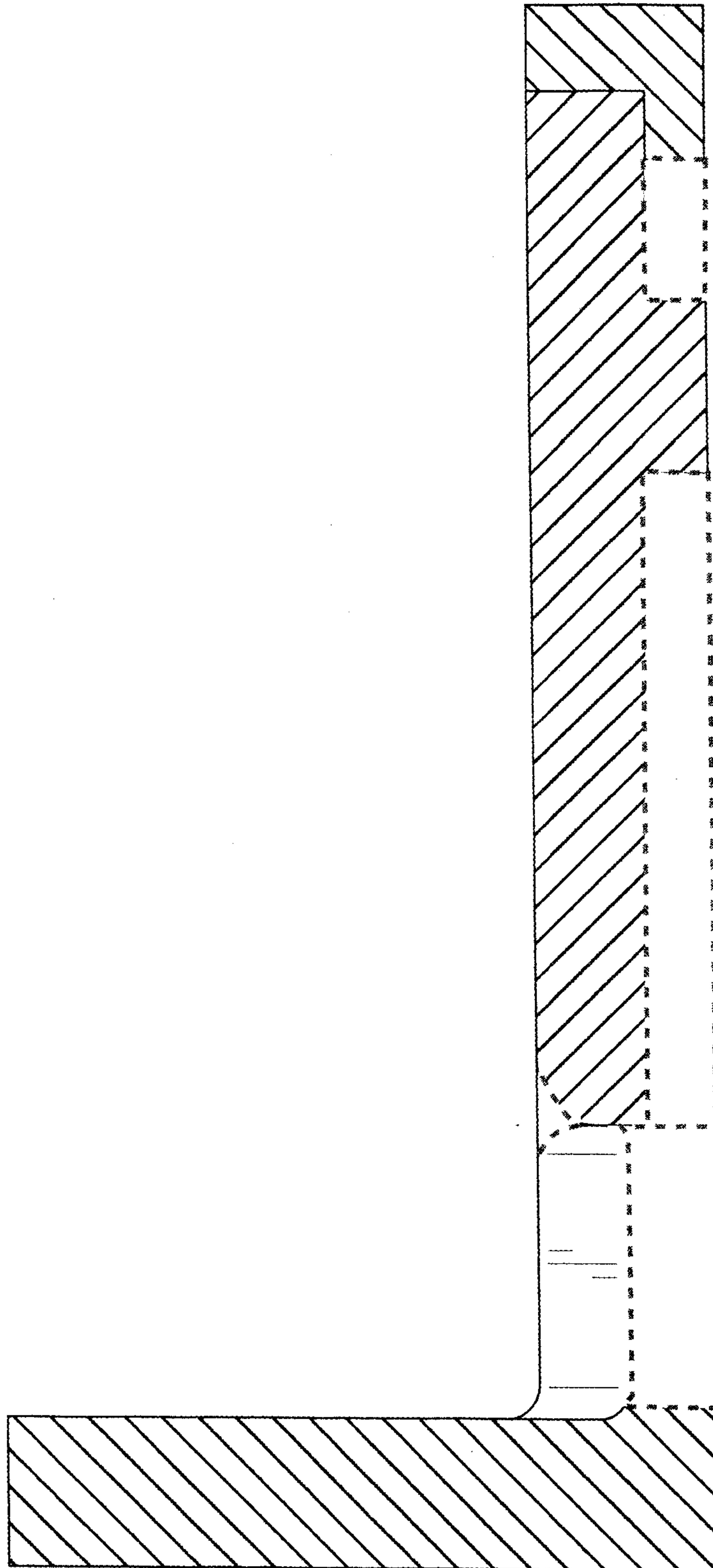


FIG. 3



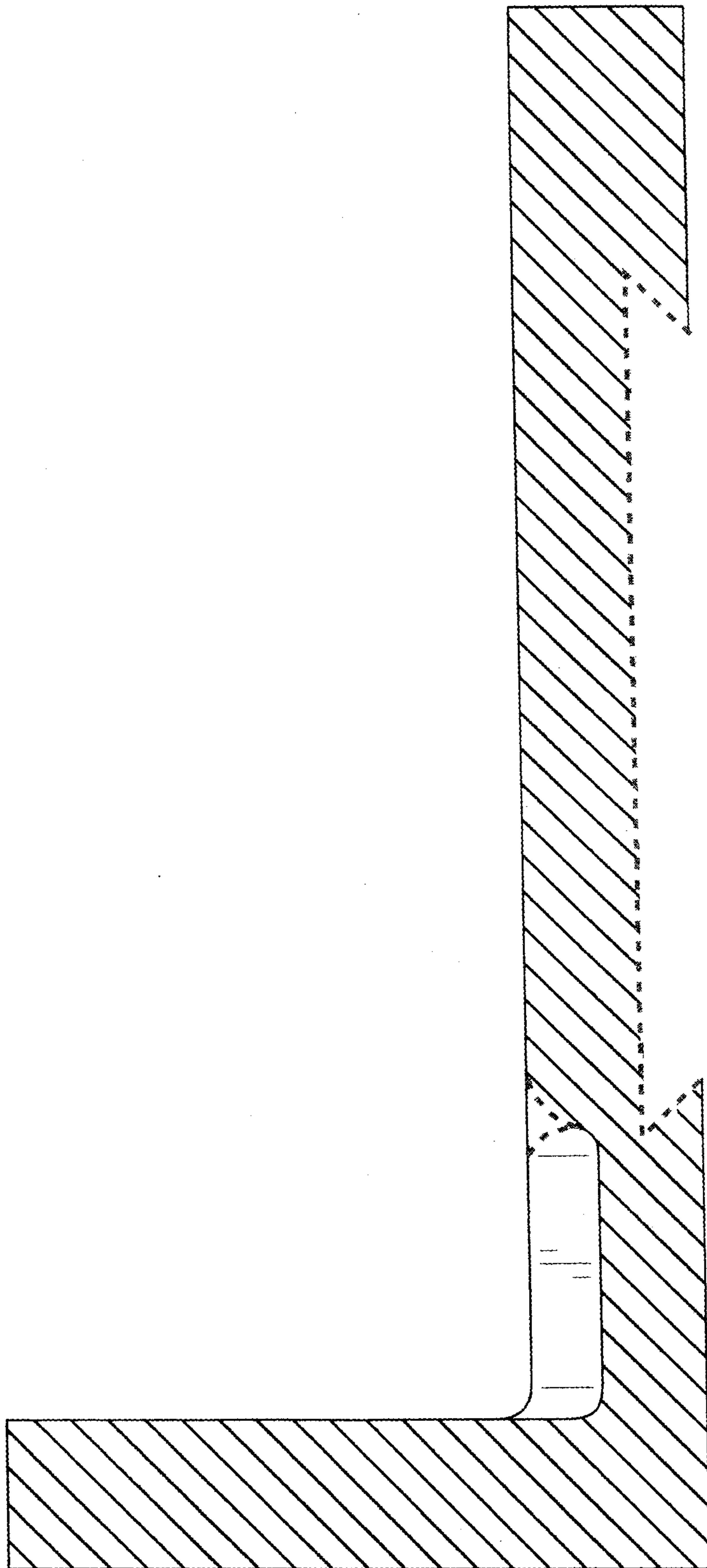


FIG. 4

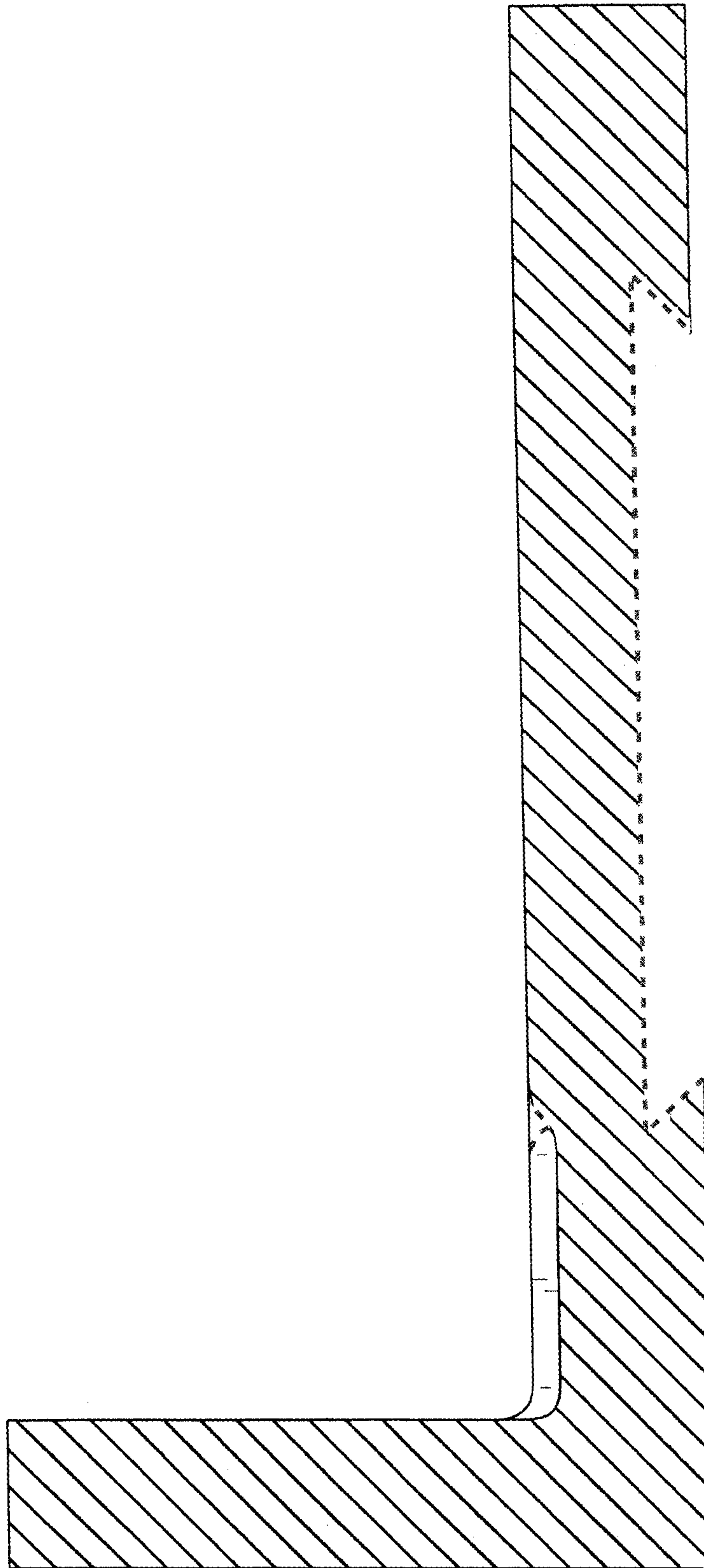


FIG. 5

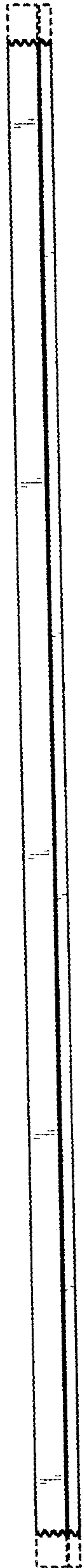


FIG. 6



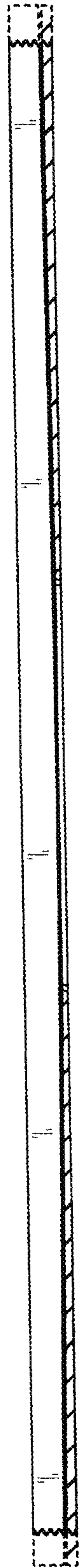


FIG. 7

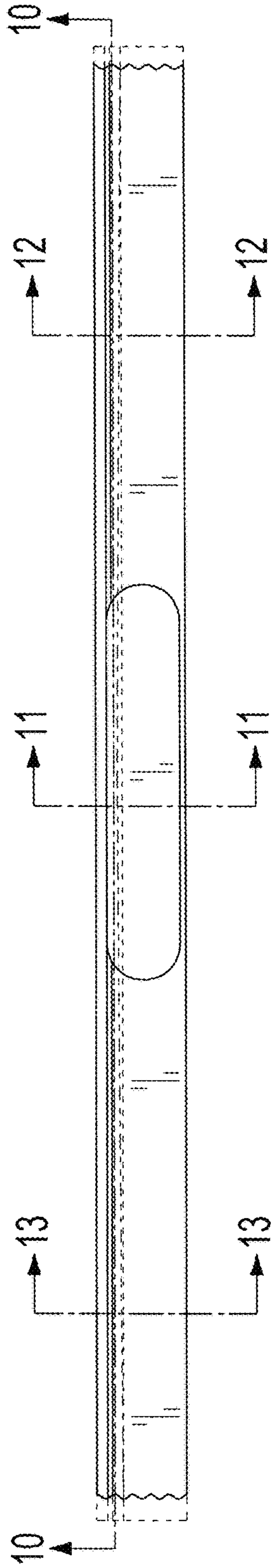


FIG. 8

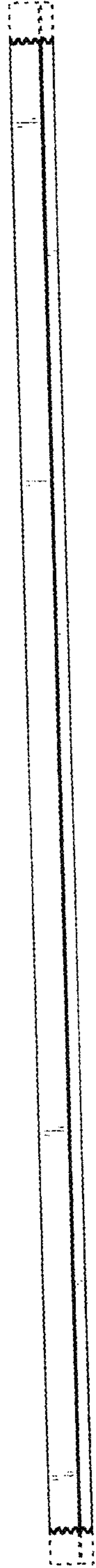


FIG. 9

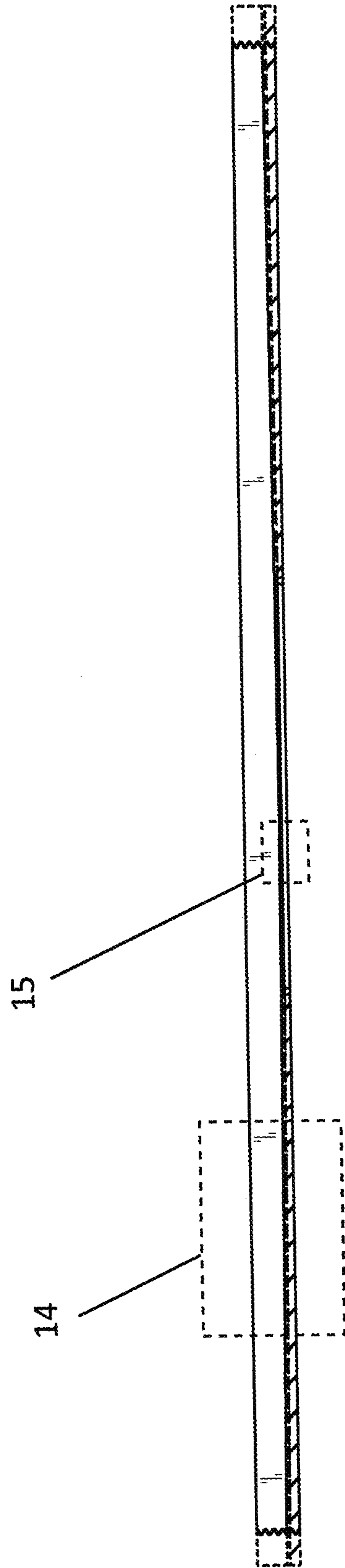


FIG. 10

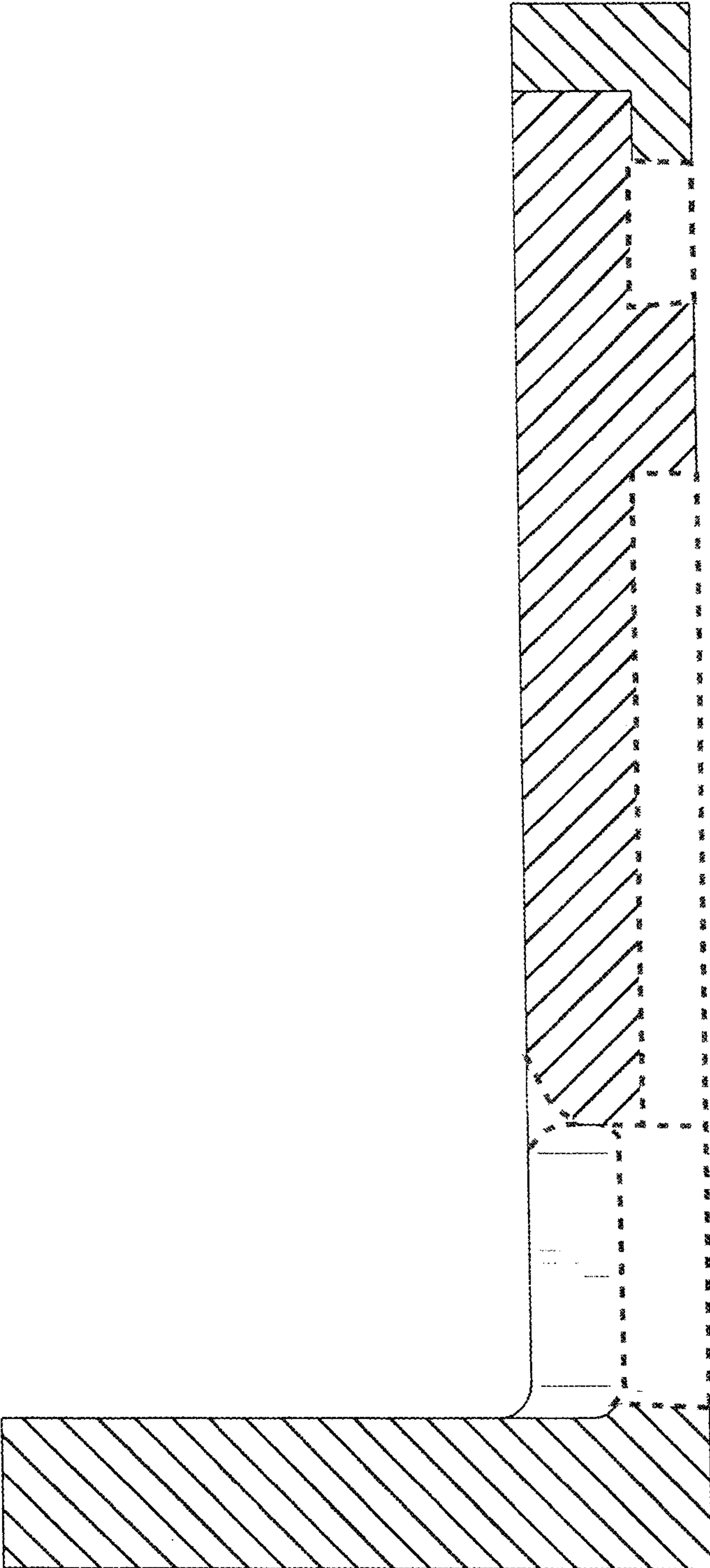


FIG.11



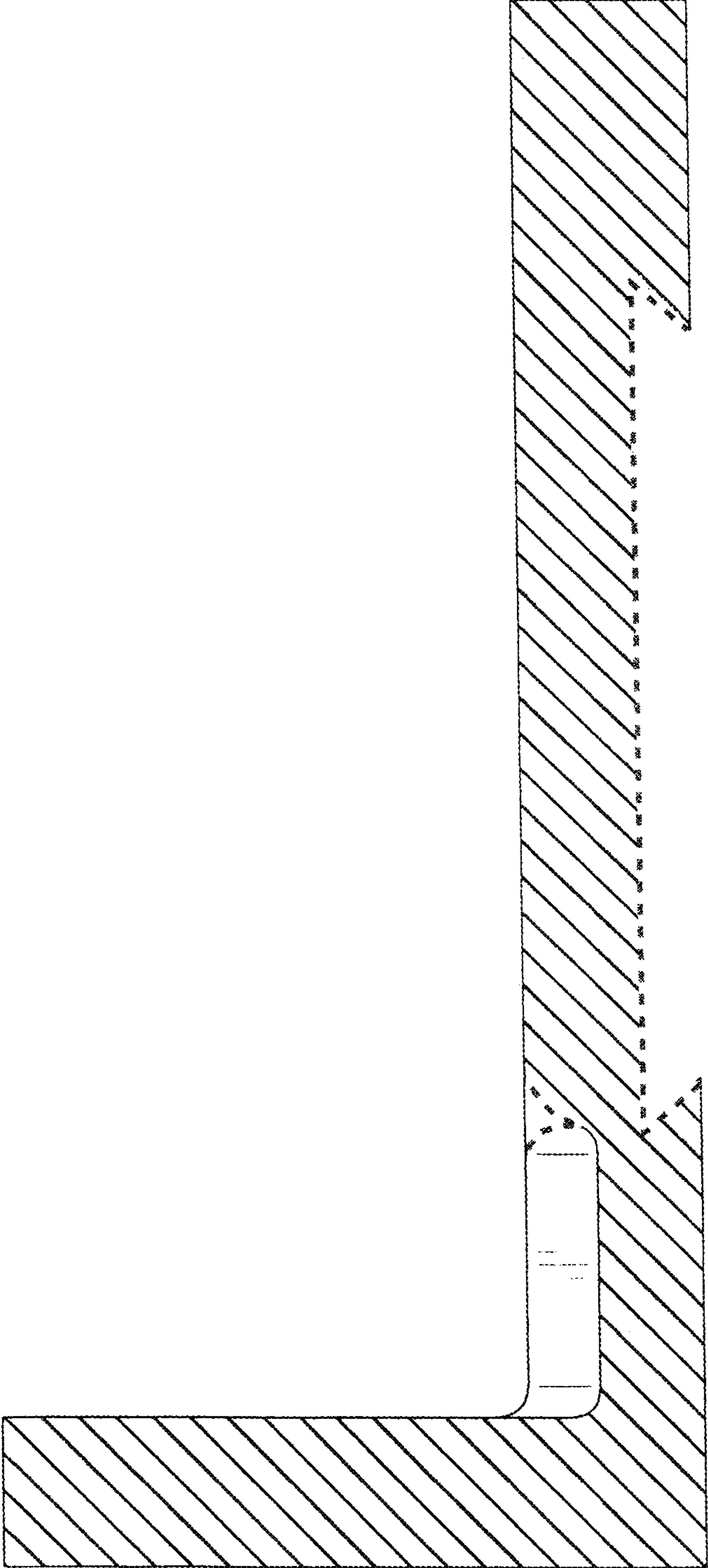


FIG. 12

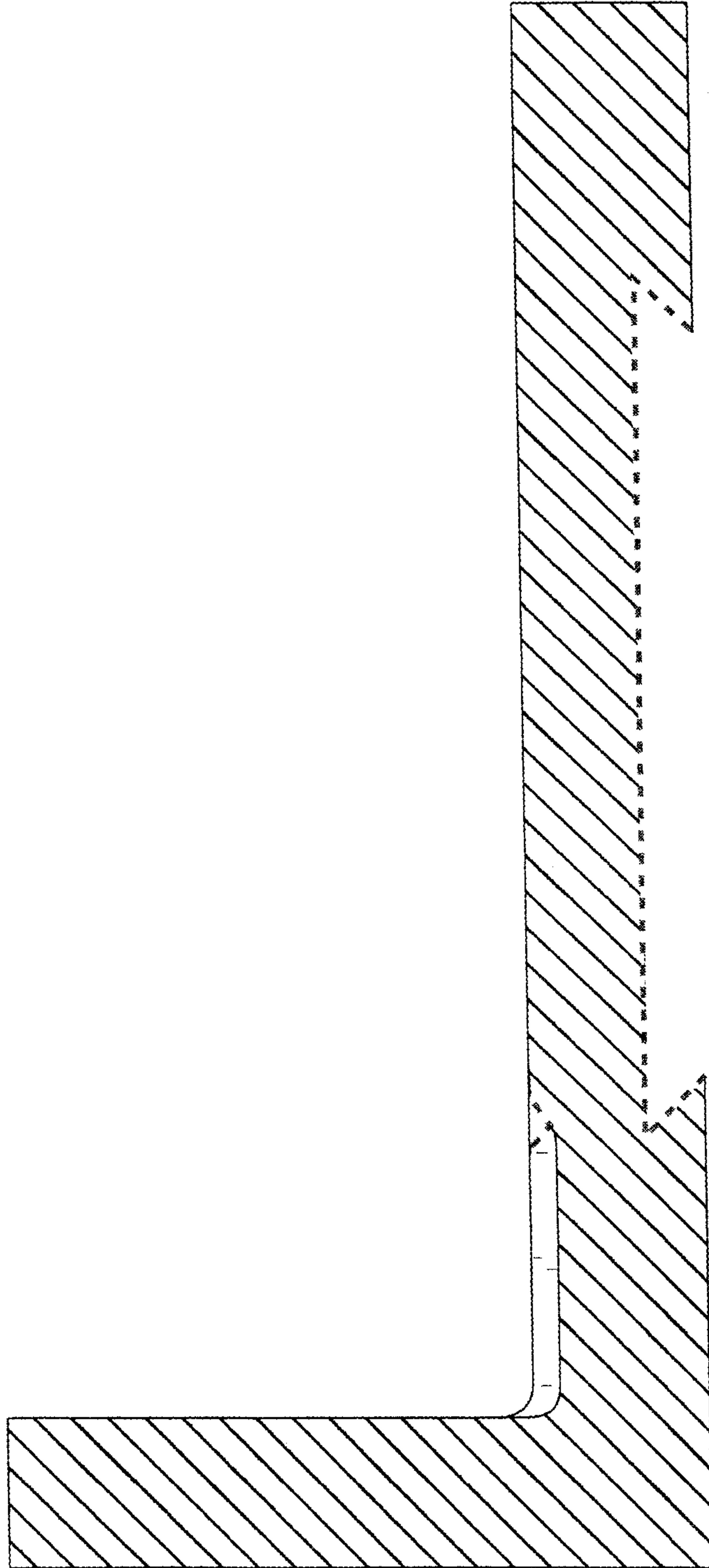


FIG. 13

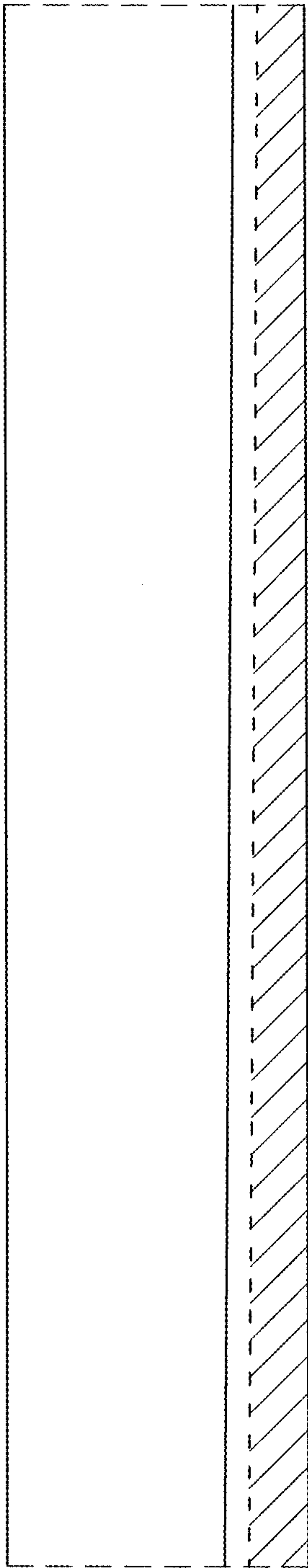


FIG. 14

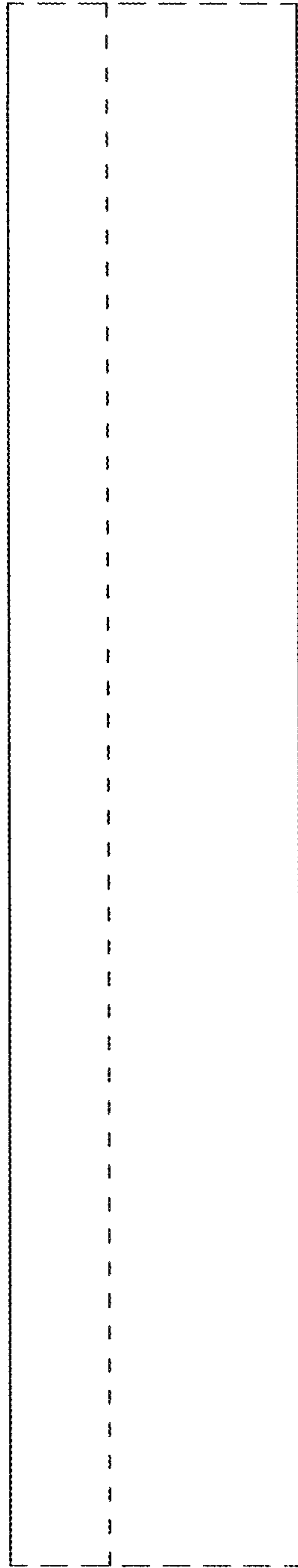


FIG. 15