



US00D828520S

(12) **United States Design Patent** (10) **Patent No.:** **US D828,520 S**
Ryu (45) **Date of Patent:** **** Sep. 11, 2018**

(54) **WATER TAP**
(71) Applicant: **LG INNOTEK CO., LTD.**, Seoul (KR)
(72) Inventor: **Seung Hwan Ryu**, Seoul (KR)
(73) Assignee: **LG INNOTEK CO., LTD.**, Seoul (KR)
(**) Term: **15 Years**
(21) Appl. No.: **35/503,580**
(22) Filed: **Feb. 20, 2017**
(80) **Hague Agreement Data**
Int. Filing Date: **Feb. 20, 2017**
Int. Reg. No.: **DM/094974**
Int. Reg. Date: **Feb. 20, 2017**
Int. Reg. Pub. Date: **Aug. 25, 2017**

(30) **Foreign Application Priority Data**
Aug. 23, 2016 (KR) 30-2016-0041154
(51) **LOC (11) Cl.** **23-01**
(52) **U.S. Cl.**
USPC **D23/255**
(58) **Field of Classification Search**
USPC D23/238-243, 249-250, 252, 254, 255,
D23/257, 213; D8/307, 308, 310
CPC E03C 1/084; E03C 1/04; E03C 1/0401;
E03C 1/0402; E03C 1/0404; C02F 3/16;
Y10T 132/9464; F16K 31/602; F16K
31/605; F16K 31/607; F16K 31/60
See application file for complete search history.

(56) **References Cited**
U.S. PATENT DOCUMENTS
D203,244 S * 12/1965 Bilkiss D23/255
D331,450 S * 12/1992 Haug D23/252
D339,849 S * 9/1993 Jans D23/252

D342,988 S * 1/1994 Jans D23/252
D357,060 S * 4/1995 Haug D23/252
D357,975 S * 5/1995 Wang D23/238
D393,052 S * 3/1998 Lobermeier D23/250
D444,852 S * 7/2001 Fleischmann D23/252
D532,086 S * 11/2006 Haug D23/252
D541,385 S * 4/2007 Haug D23/252
D576,712 S * 9/2008 Urquiola D23/250
D692,535 S * 10/2013 Kington D23/238
D737,941 S * 9/2015 Eads D23/255
D757,222 S * 5/2016 Eads D23/238
D757,906 S * 5/2016 Flowers D23/242
D757,912 S * 5/2016 Eads D23/255
D762,822 S * 8/2016 Flowers D23/252
D768,826 S * 10/2016 Flowers D23/252
D768,827 S * 10/2016 Flowers D23/252
D773,618 S * 12/2016 Lee D23/255
D798,420 S * 9/2017 Eads D23/255

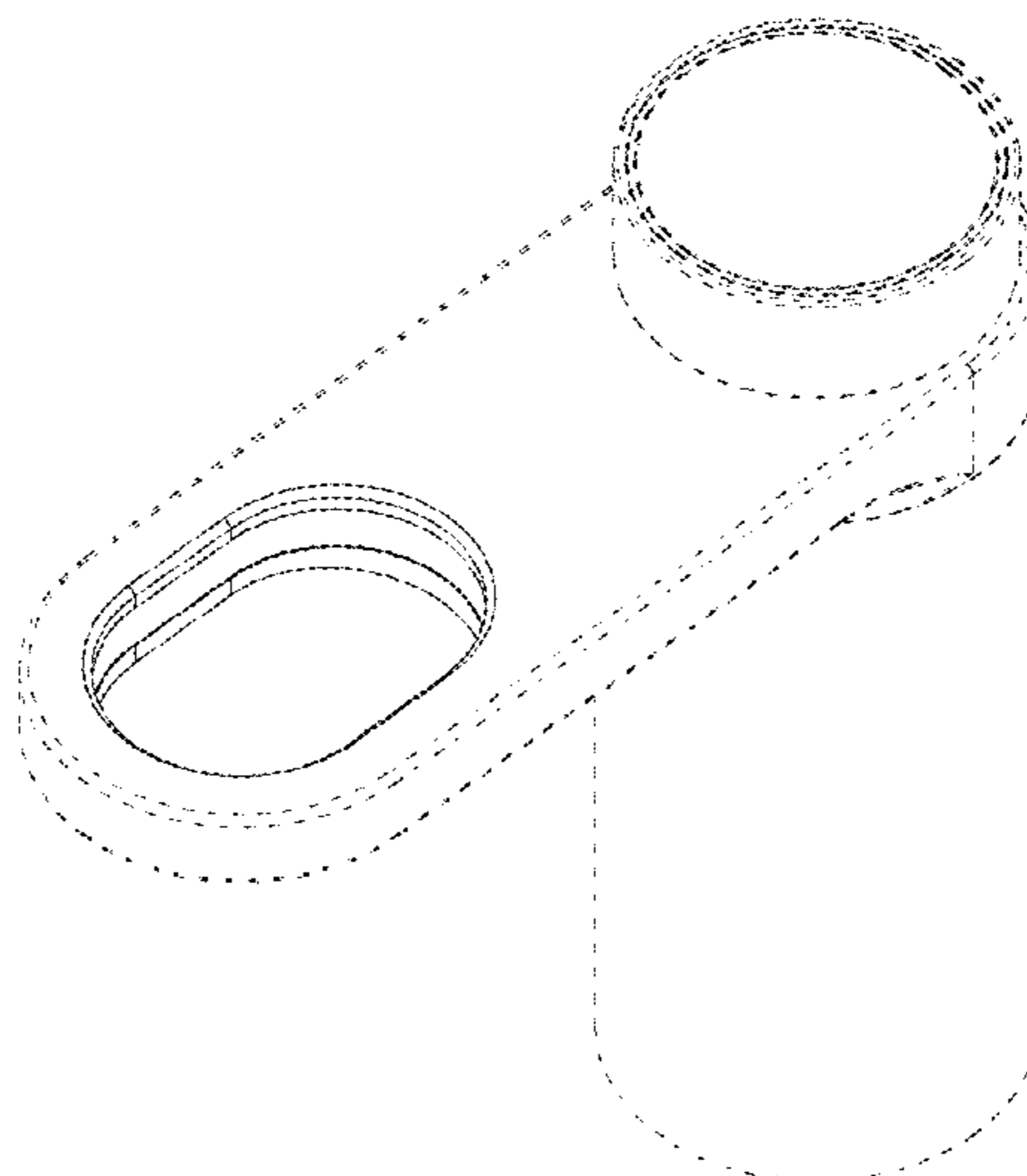
(Continued)

Primary Examiner — Melanie Pellegrini
(74) *Attorney, Agent, or Firm* — Saliwanchik, Lloyd & Eisenschenk

(57) **CLAIM**
The ornamental design for a water tap, as shown and described.

DESCRIPTION
1. Water tap
1.1 : Perspective
1.2 : Front
1.3 : Back
1.4 : Left
1.5 : Right
1.6 : Top
1.7 : Bottom
1.8 : Perspective
The broken lines showing a faucet represent portions of the water tap which form no part of the claimed design. The remaining broken lines in Figs. 1.8 illustrate environment and form no part of the claimed design.

1 Claim, 8 Drawing Sheets



(56)

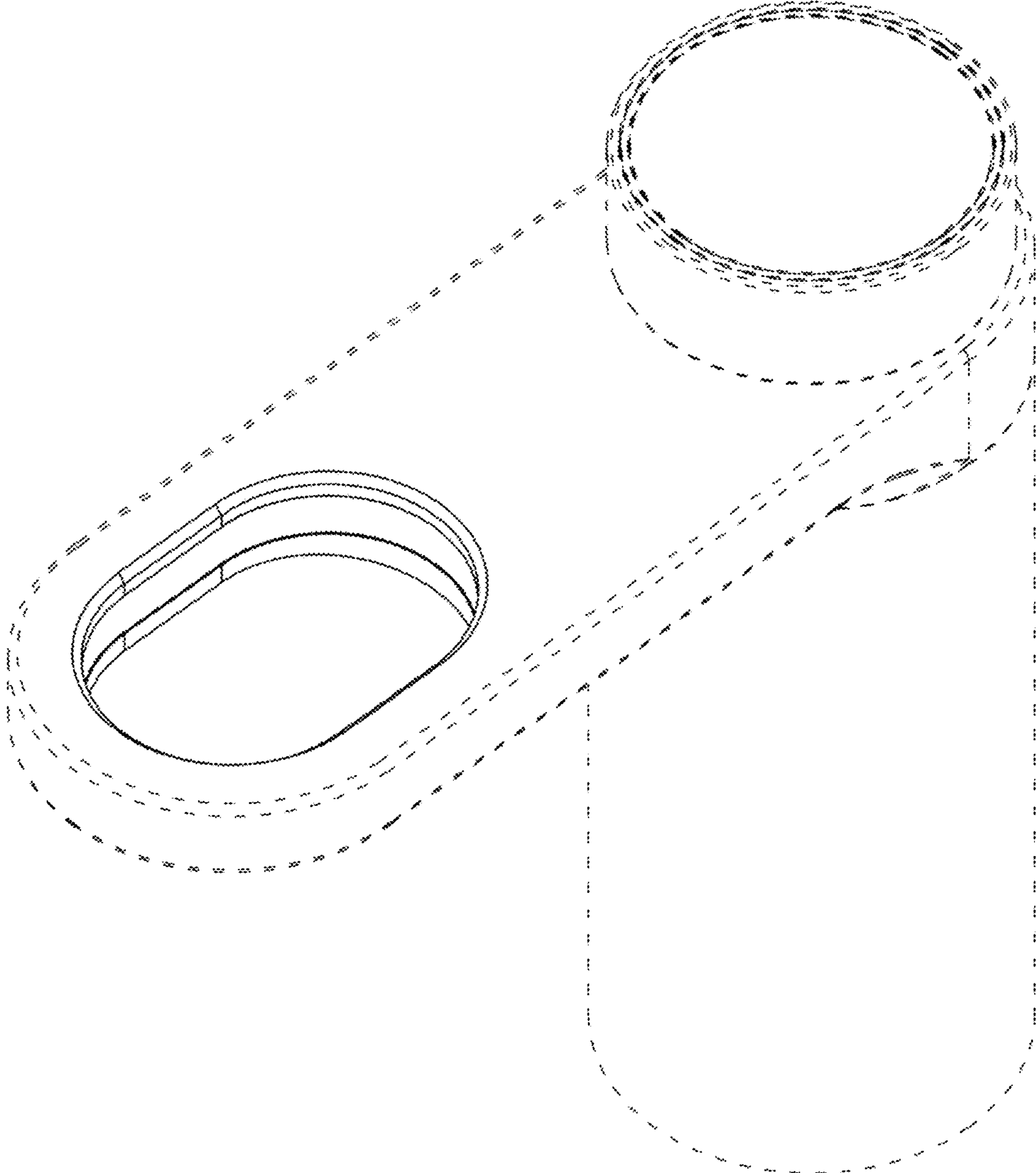
References Cited

U.S. PATENT DOCUMENTS

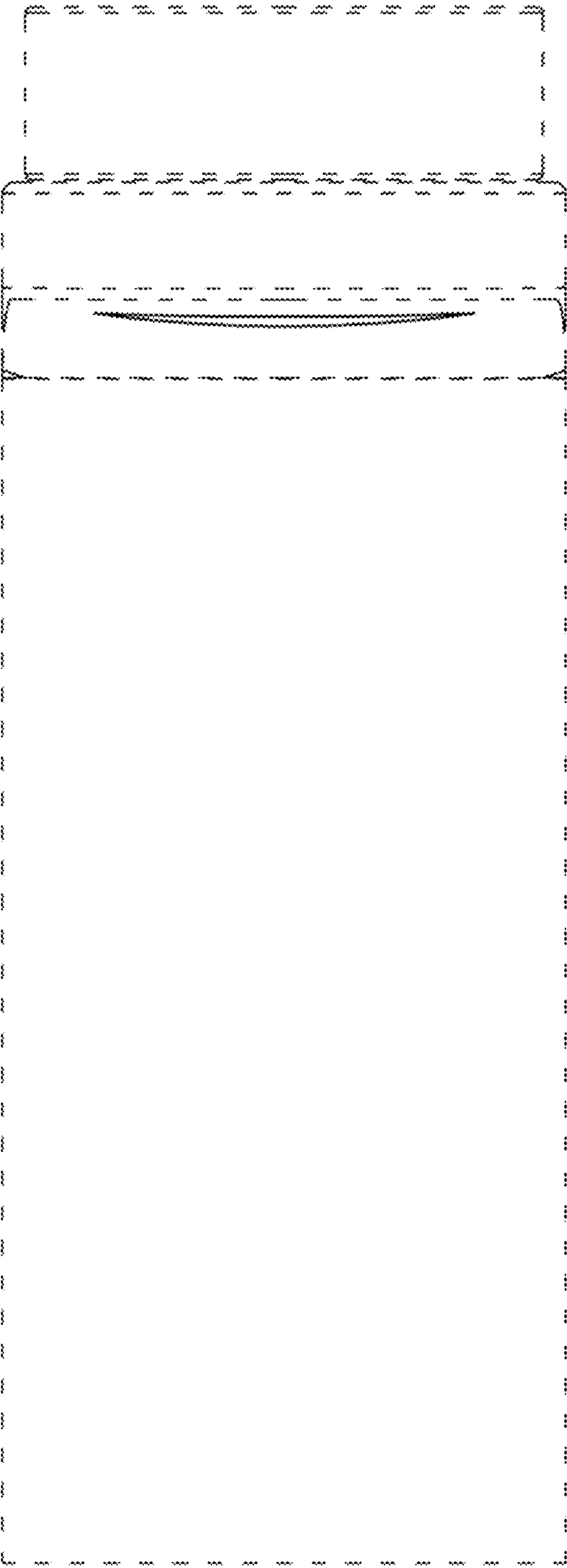
D809,104 S * 1/2018 Schoenherr D23/238
D810,238 S * 2/2018 Schoenherr D23/238

* cited by examiner

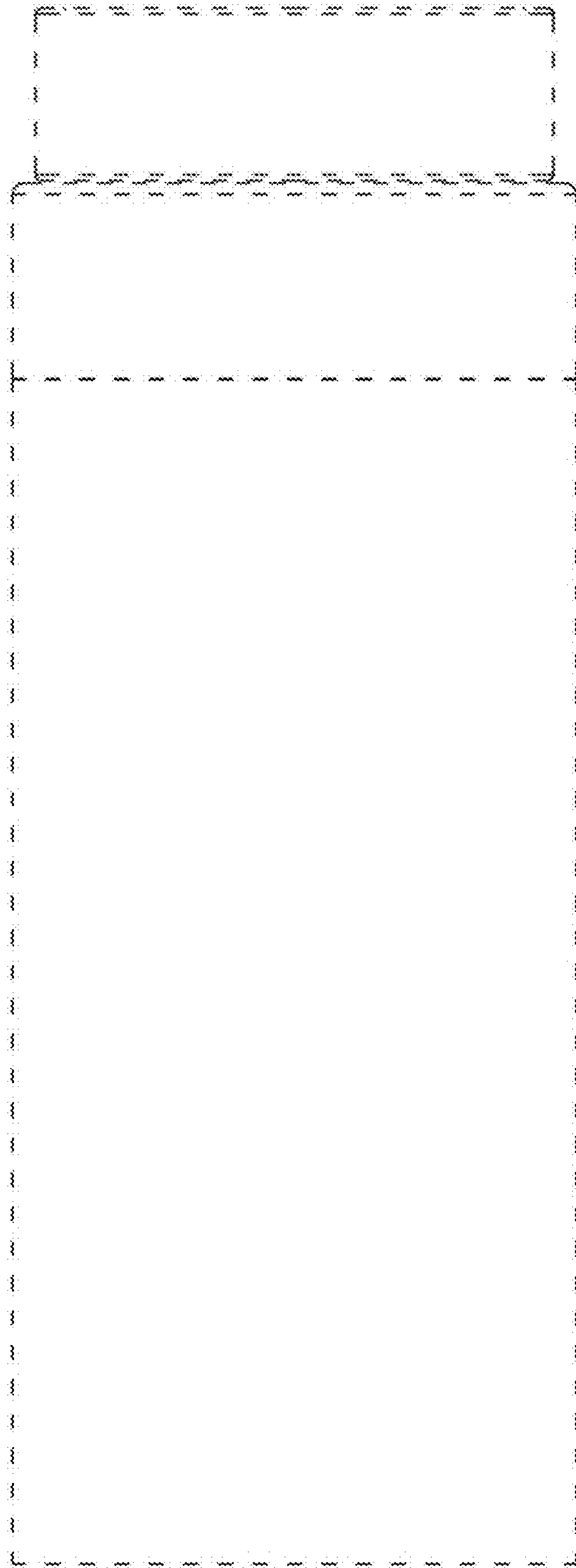
1.1



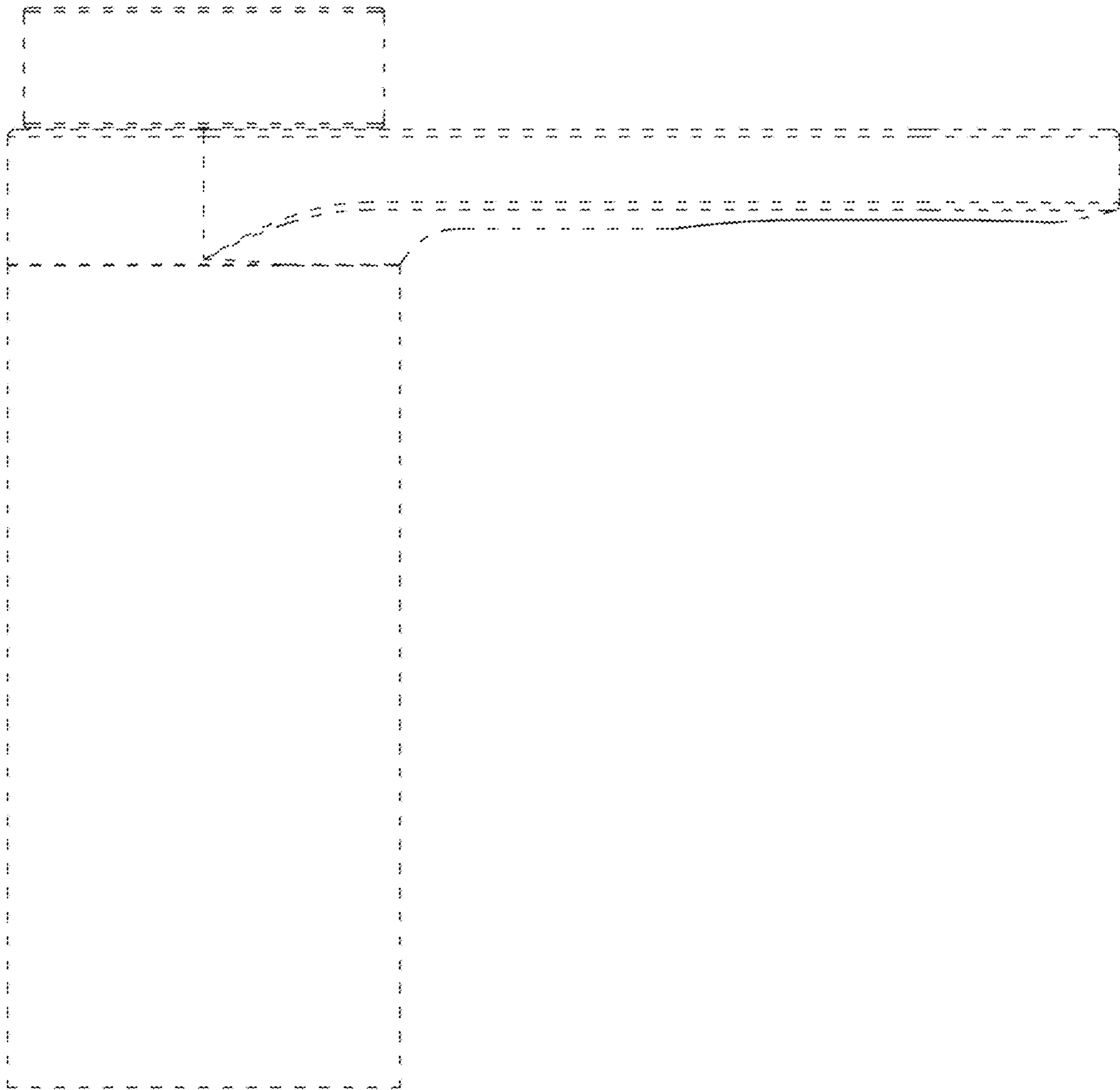
1.2



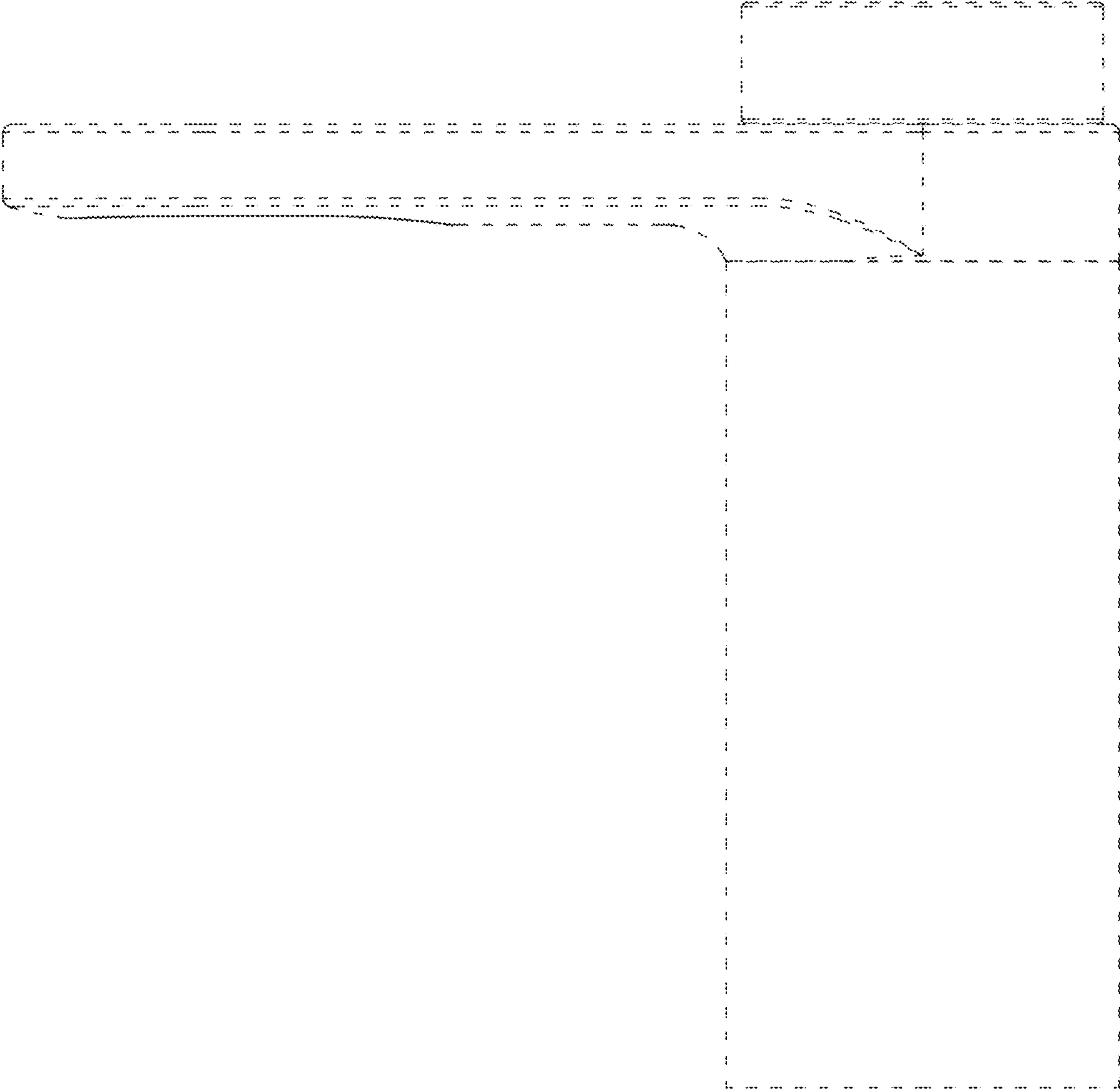
1.3



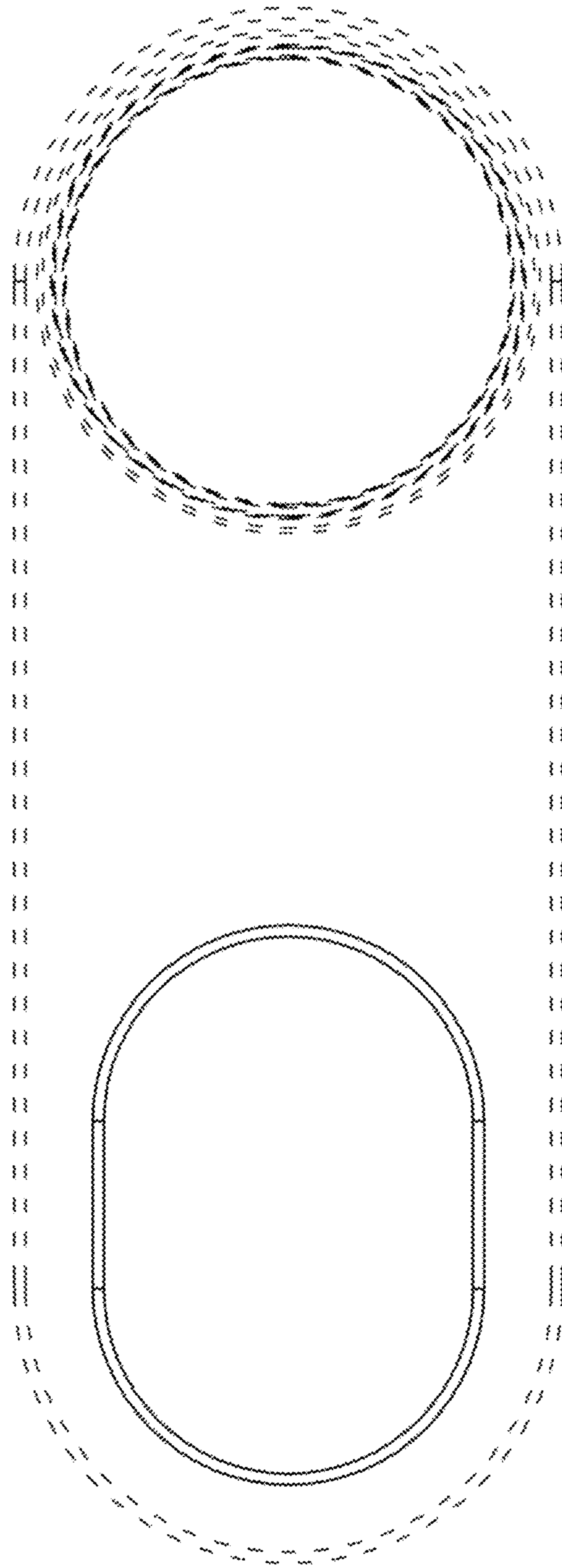
1.4



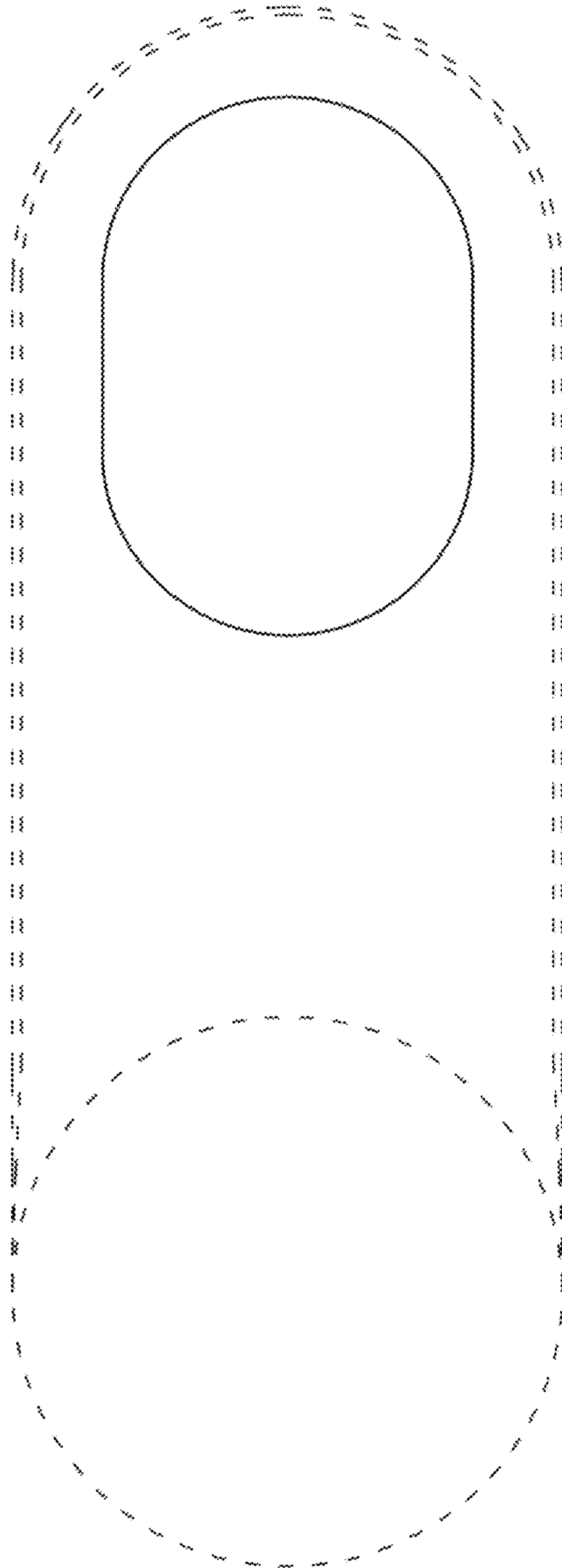
1.5



1.6



1.7



1.8

