



US00D828519S

(12) **United States Design Patent**  
**Garland**

(10) **Patent No.:** **US D828,519 S**

(45) **Date of Patent:** **\*\* Sep. 11, 2018**

(54) **VALVE**

D484,037 S \* 12/2003 Fleetwood ..... F16B 39/10  
D8/399

(71) Applicant: **DELTA FAUCET COMPANY,**  
Indianapolis, IN (US)

D789,490 S \* 6/2017 Fritz ..... D23/254

D789,495 S \* 6/2017 Dube ..... D23/254

D811,549 S \* 2/2018 Garland ..... D23/254

(72) Inventor: **Celine Kwok Garland,** Zionsville, IN  
(US)

\* cited by examiner

(73) Assignee: **DELTA FAUCET COMPANY,**  
Indianapolis, IN (US)

*Primary Examiner* — Robert A Delehanty

(74) *Attorney, Agent, or Firm* — Edgar A. Zarins; Nirav  
D. Parikh

(\*\*) Term: **15 Years**

(21) Appl. No.: **29/634,176**

(57) **CLAIM**

The ornamental design for a valve, as shown and described.

(22) Filed: **Jan. 18, 2018**

(51) **LOC (11) Cl.** ..... **23-01**

(52) **U.S. Cl.**

USPC ..... **D23/254**

**DESCRIPTION**

(58) **Field of Classification Search**

USPC ..... D23/250, 254, 238–24, 249; D8/300,  
D8/308, 352–353, 312, 399

CPC ..... Y10T 137/9464

See application file for complete search history.

FIG. 1 is a front perspective view of a valve showing my  
new design;

FIG. 2 is a rear perspective view thereof;

FIG. 3 is a front elevational view thereof;

FIG. 4 is a left side view thereof;

FIG. 5 is a rear view thereof;

FIG. 6 is a right side view thereof;

FIG. 7 is a top plan view thereof; and,

FIG. 8 is a bottom view thereof.

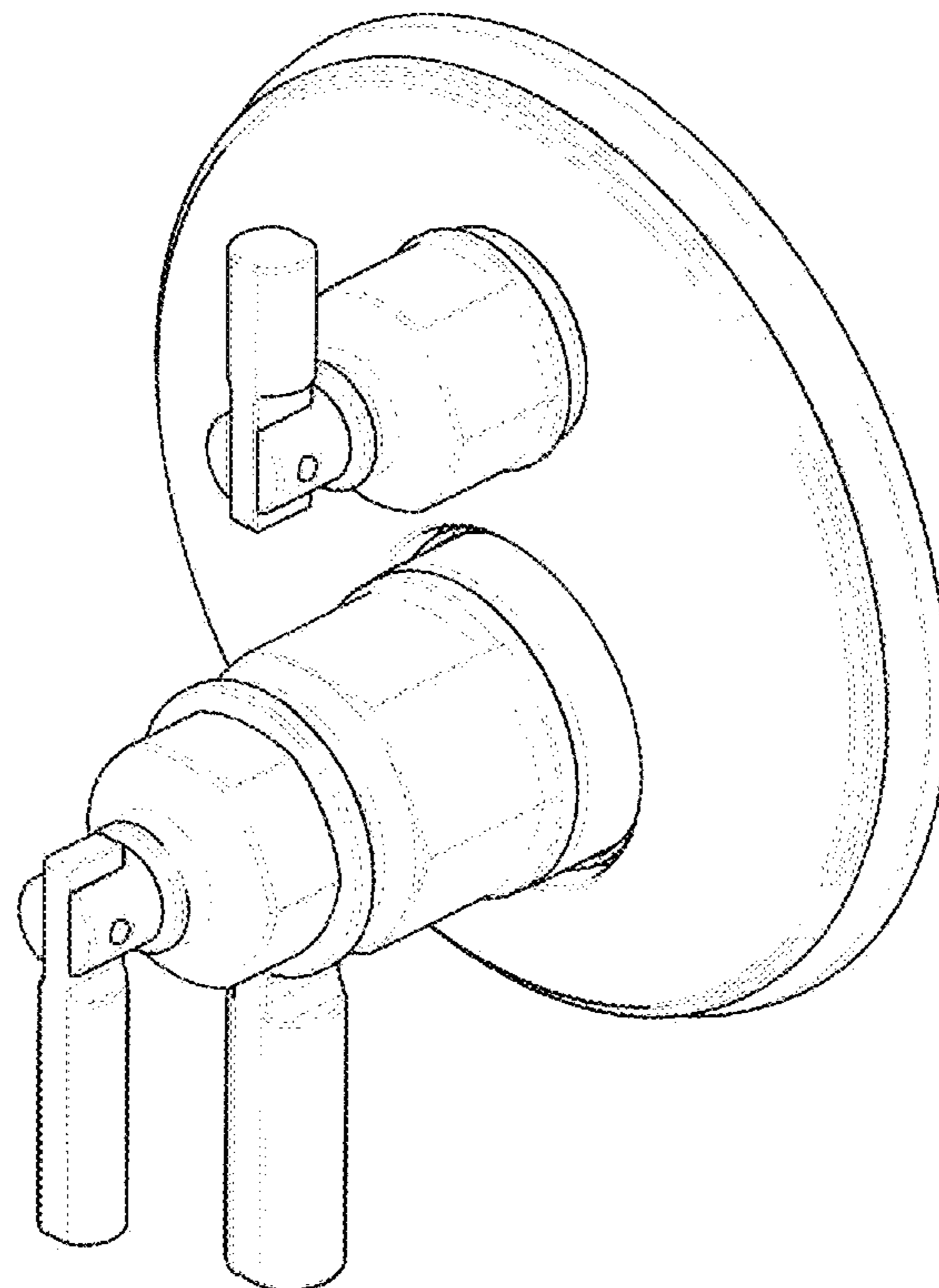
(56) **References Cited**

**U.S. PATENT DOCUMENTS**

D371,956 S \* 7/1996 Steffes ..... D23/254

D405,162 S \* 2/1999 Doughty ..... D23/250

**1 Claim, 4 Drawing Sheets**



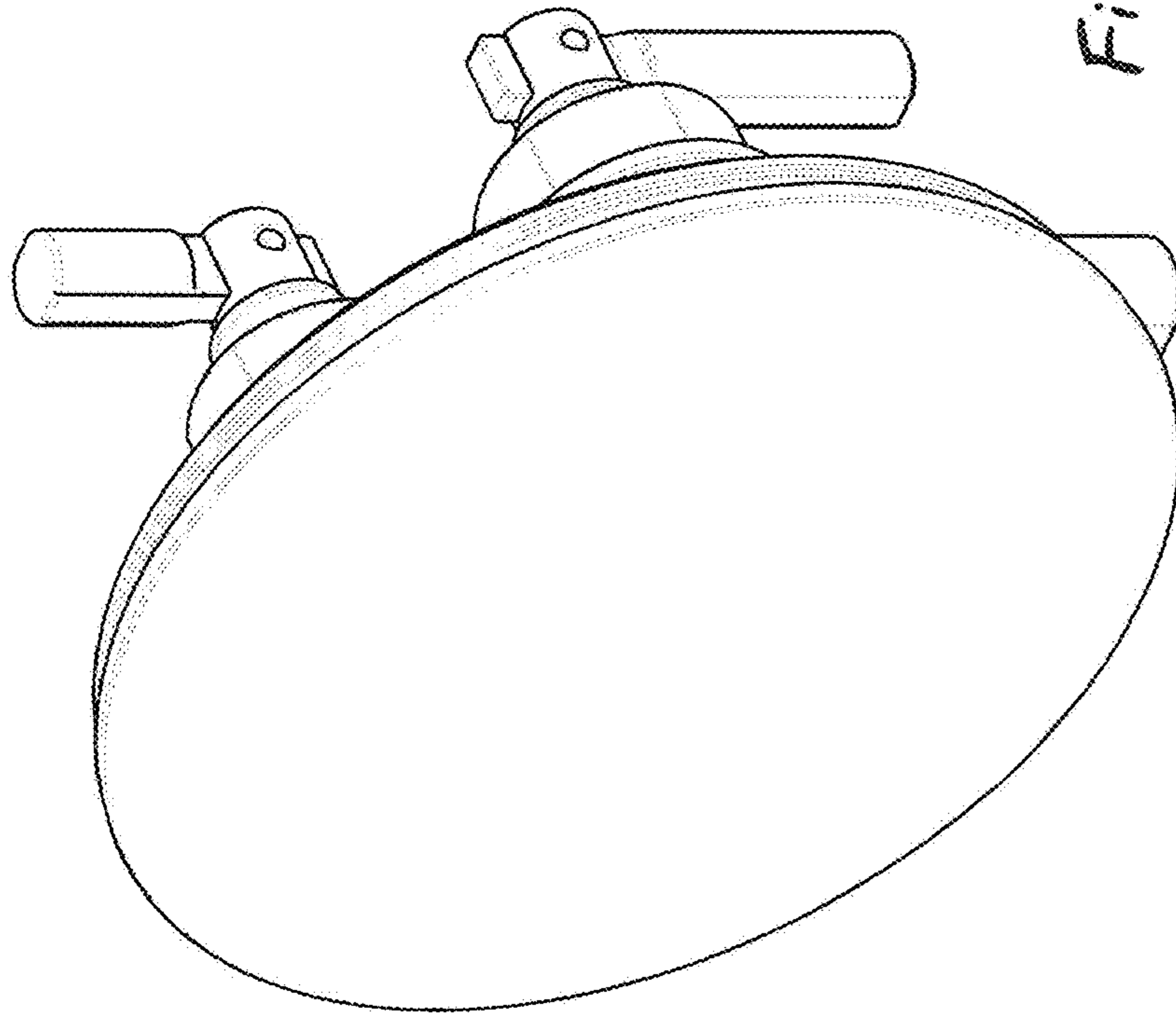


Fig. 2

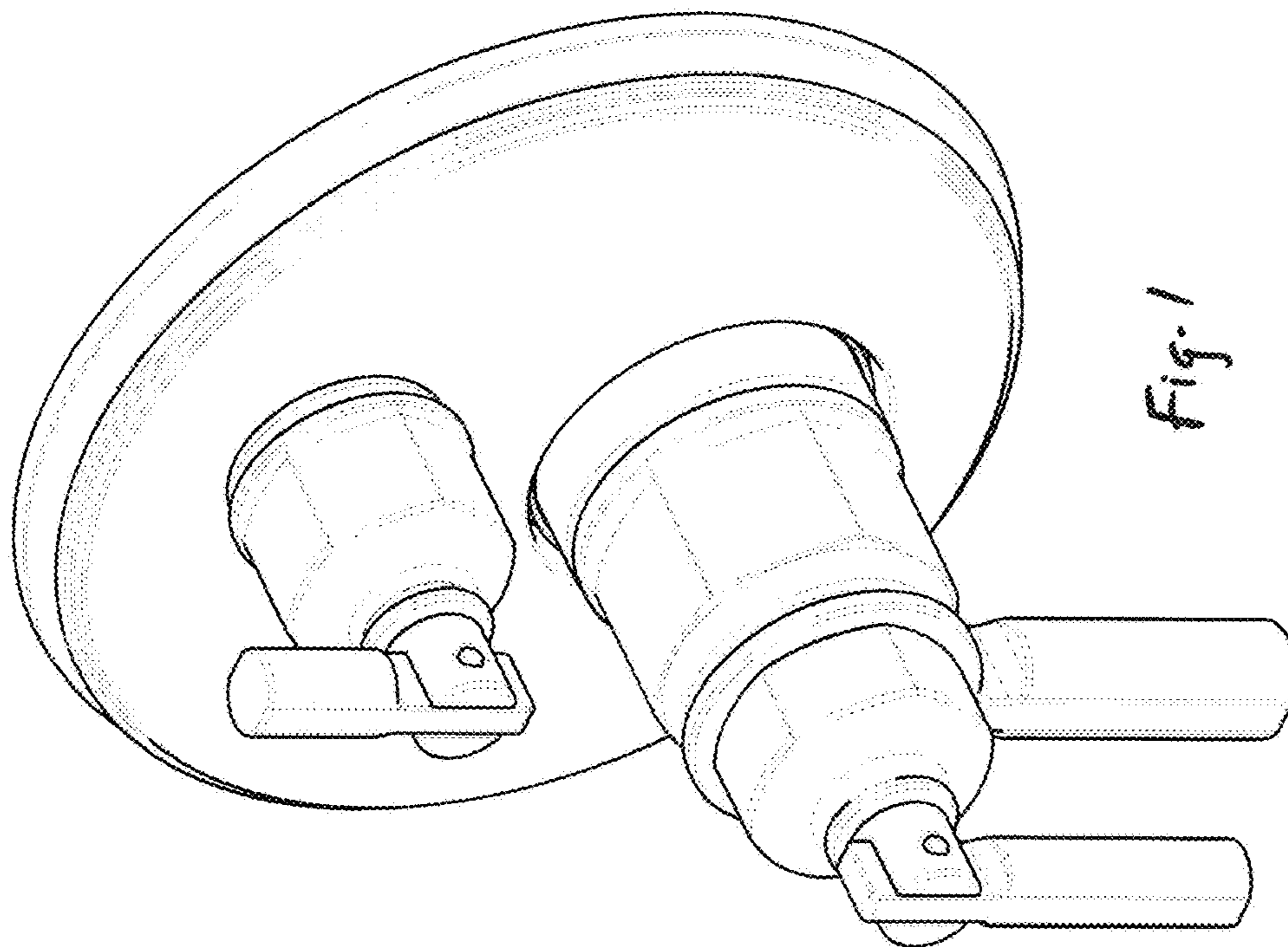


Fig. 1

Fig. 4

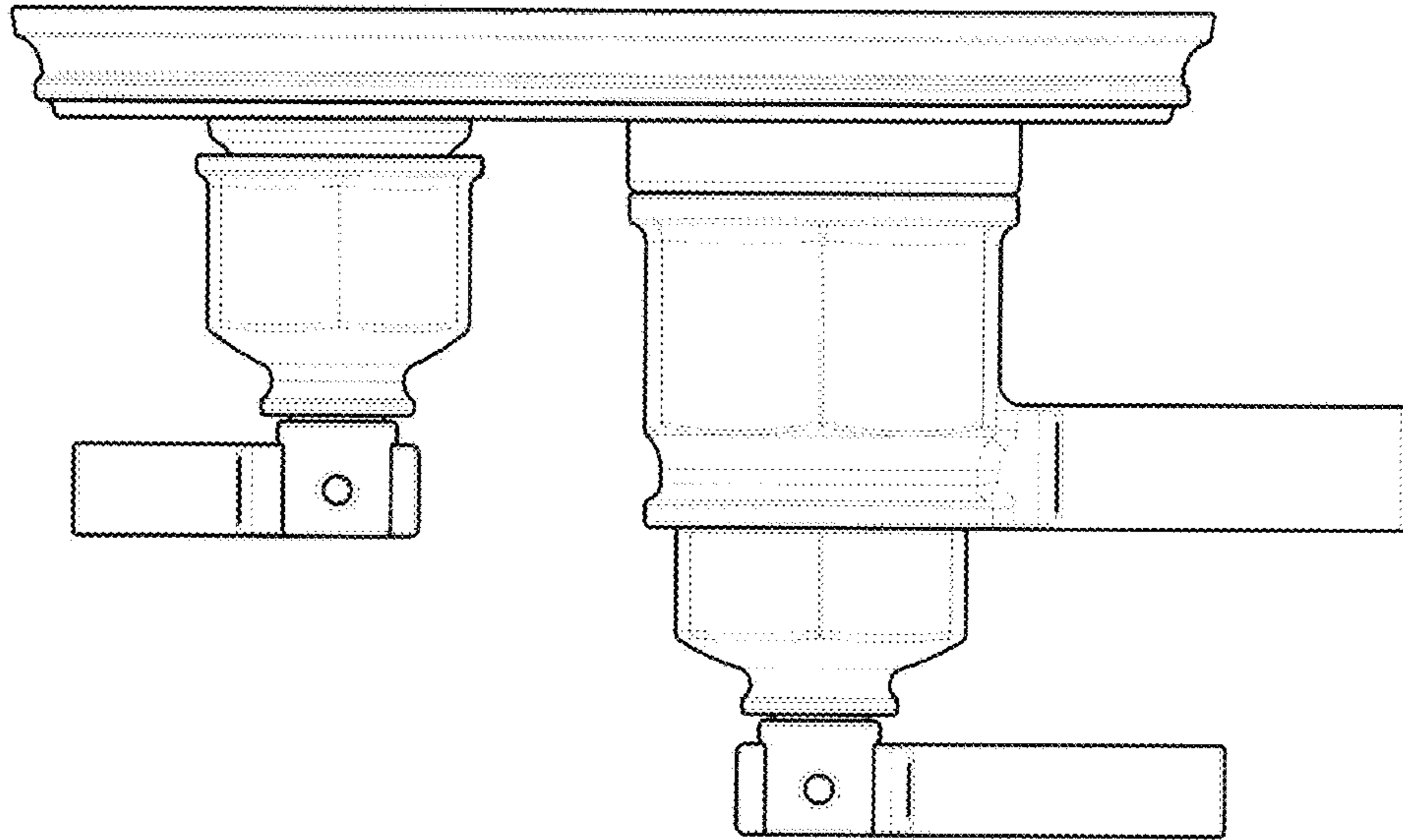
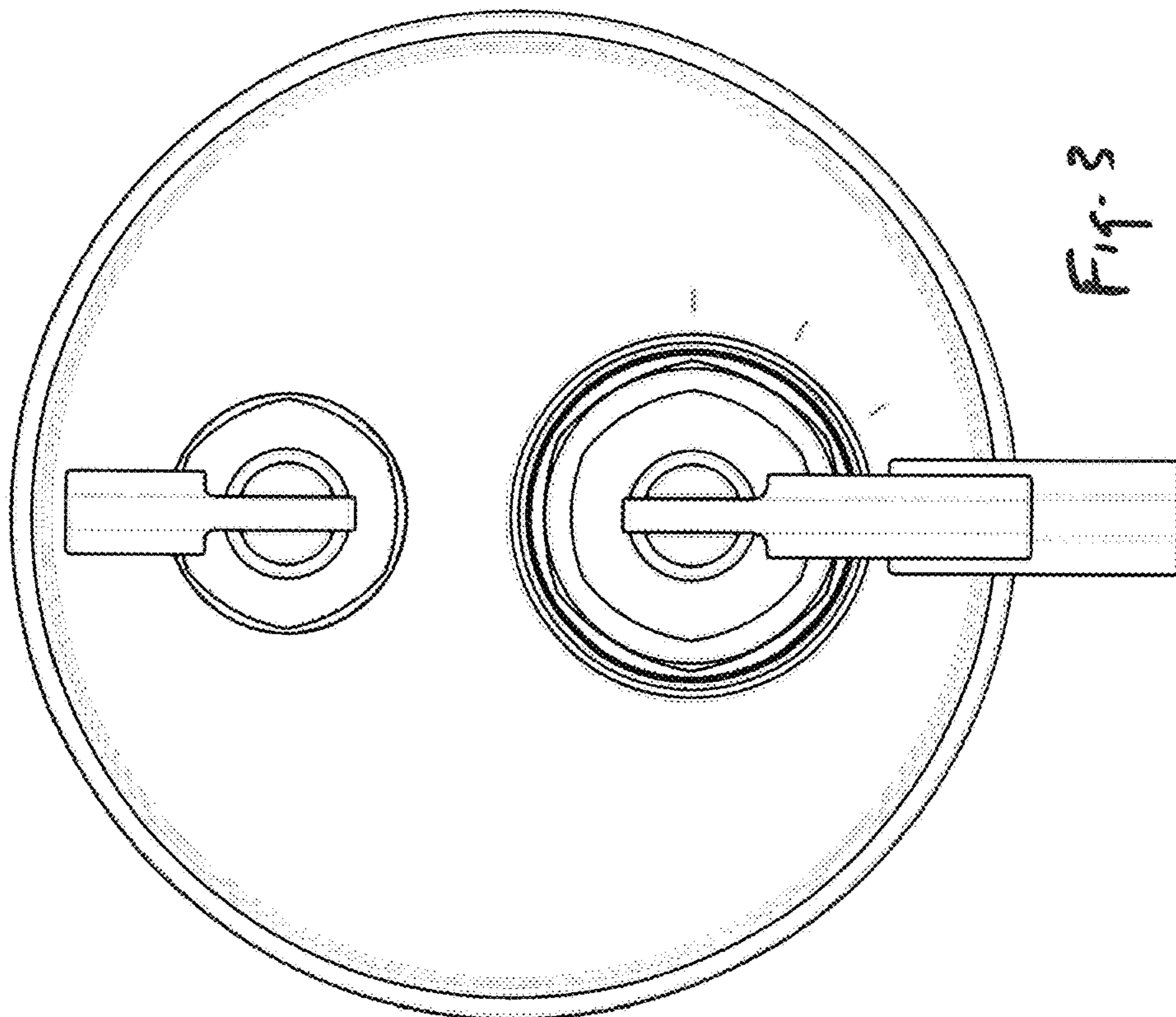


Fig. 3



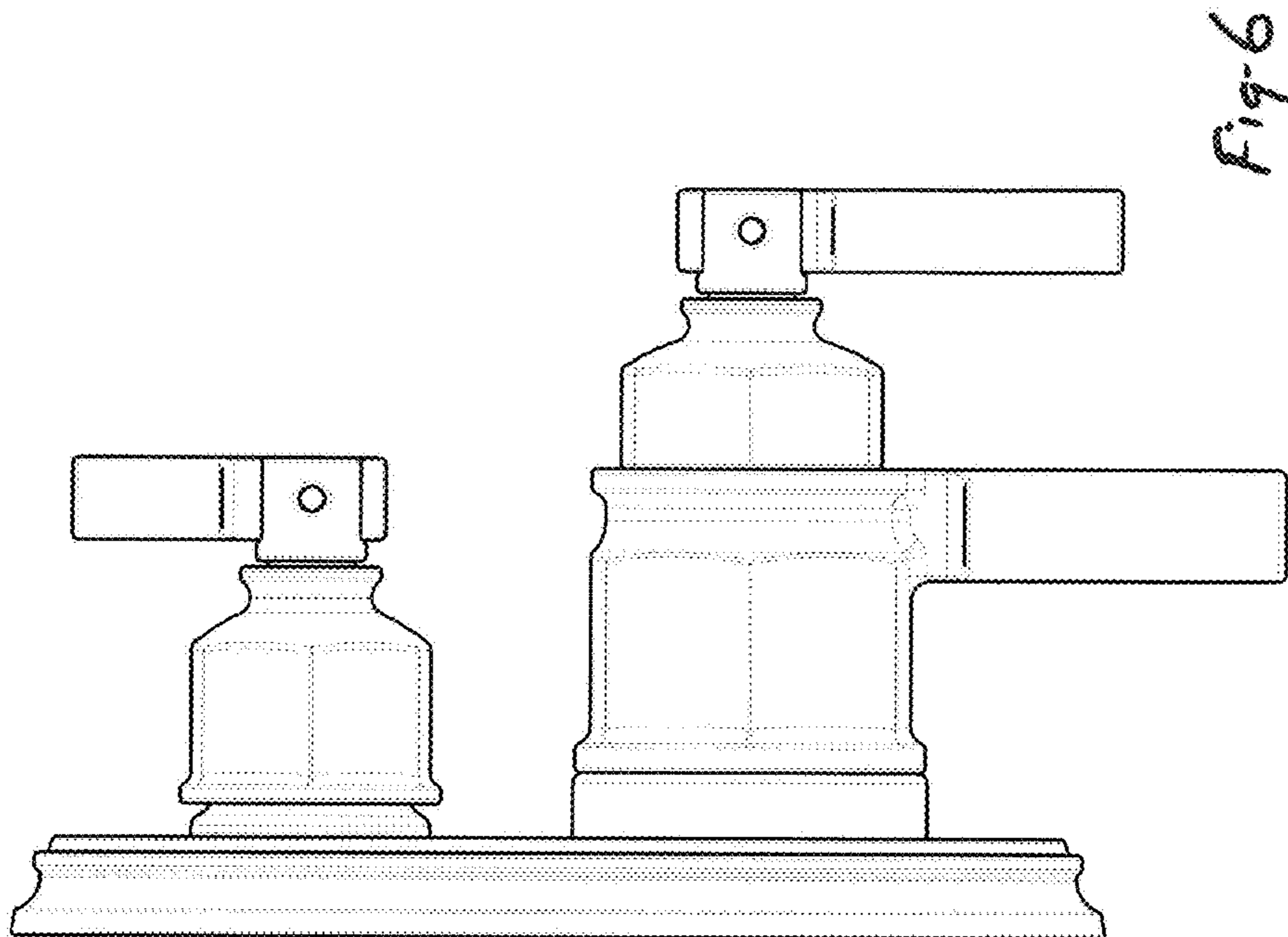


Fig. 6

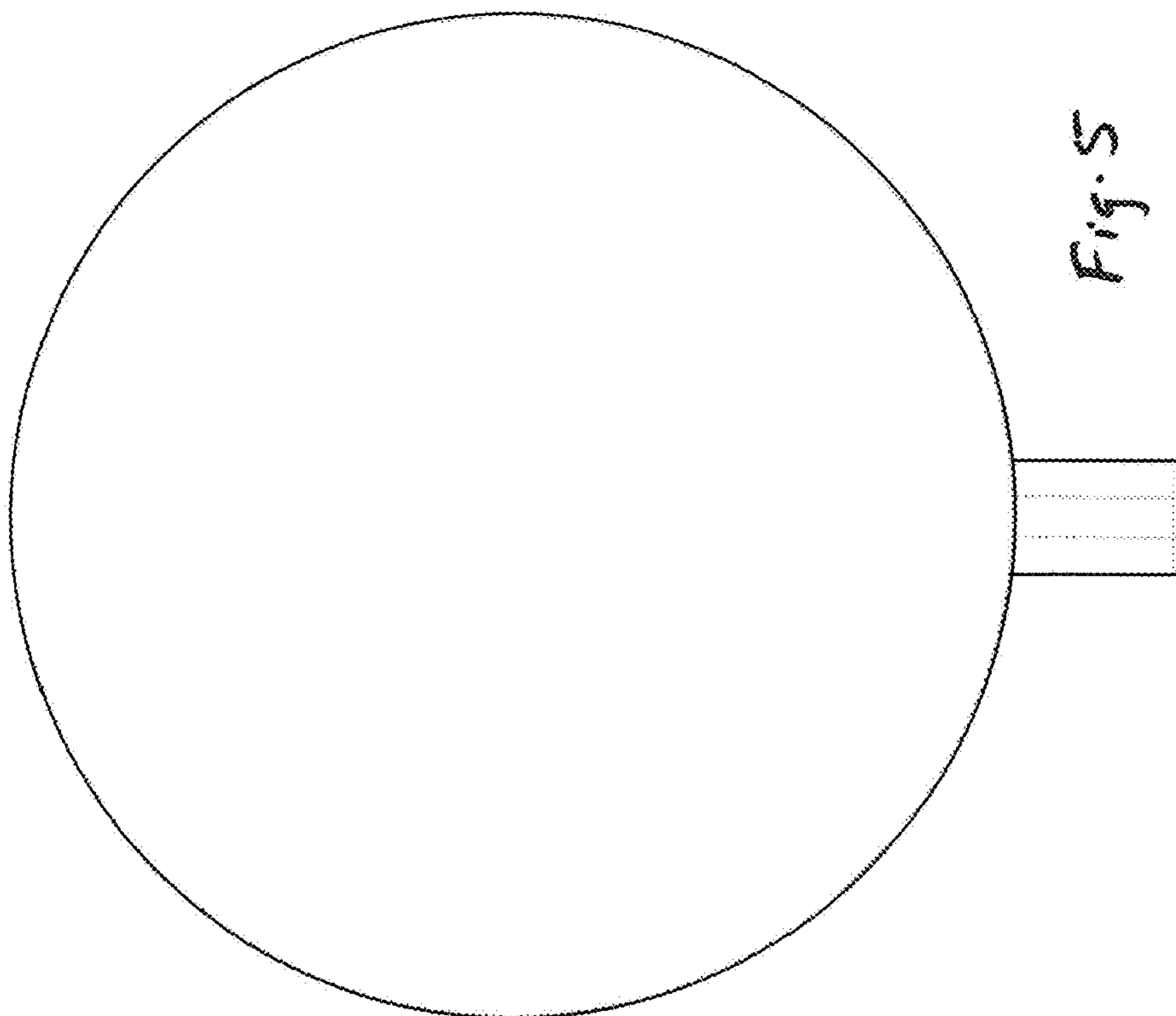


Fig. 5



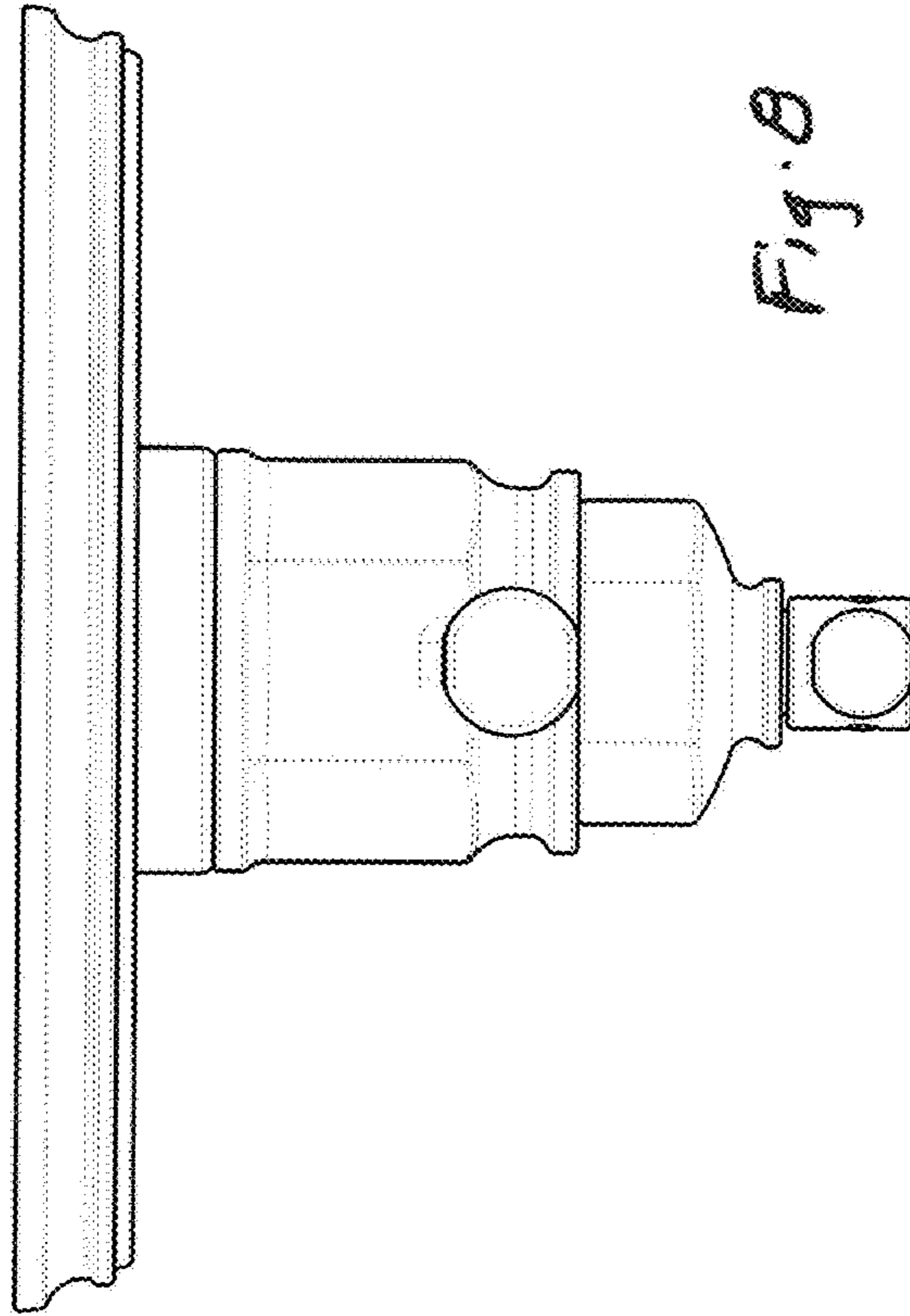


Fig. 8

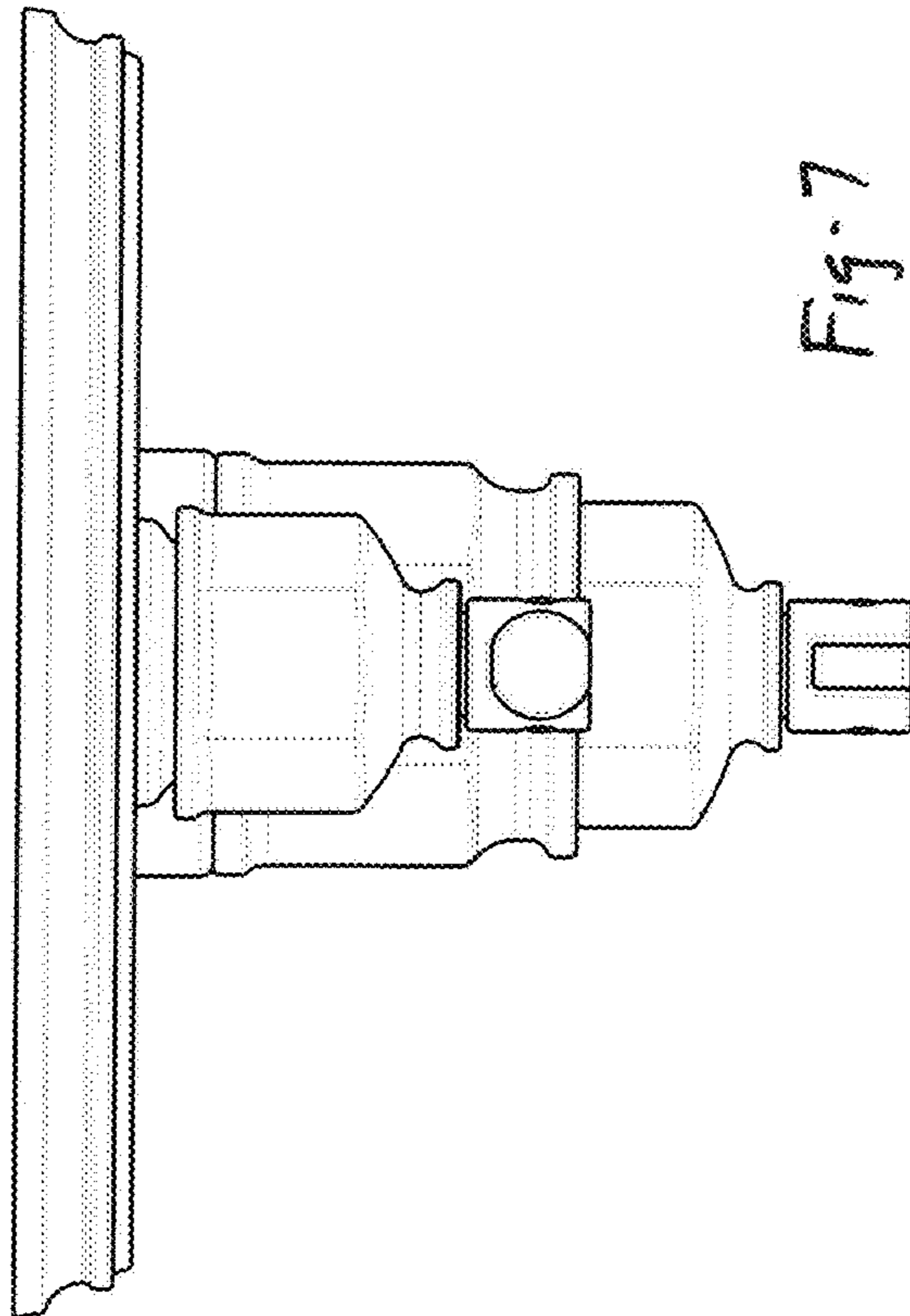


Fig. 7