



US00D828518S

(12) **United States Design Patent**
Boal

(10) **Patent No.:** **US D828,518 S**

(45) **Date of Patent:** **** Sep. 11, 2018**

(54) **SHOWER CONTROLLER**

(71) Applicant: **Kohler Mira Limited**, Gloucestershire (GB)

(72) Inventor: **Roland Boal**, Cheltenham (GB)

(73) Assignee: **KOHLER MIRA LIMITED** (GB)

(**) Term: **15 Years**

(21) Appl. No.: **29/585,453**

(22) Filed: **Nov. 23, 2016**

(30) **Foreign Application Priority Data**

May 26, 2016 (EM) 003154939

(51) **LOC (11) Cl.** **23-01**

(52) **U.S. Cl.**
USPC **D23/254**

(58) **Field of Classification Search**
USPC D23/238-243, 249-250, 252, 254;
D8/300, 310
CPC Y10T 137/9464
See application file for complete search history.

(56) **References Cited**

U.S. PATENT DOCUMENTS

D298,731 S * 11/1988 Cook D8/300
6,125,482 A * 10/2000 Foster E03C 1/046
4/623
7,406,722 B2 * 8/2008 Fukuizumi A47K 5/1217
4/623
D584,384 S * 1/2009 Schonherr D23/254
D597,632 S * 8/2009 Obara D23/250

D603,022 S * 10/2009 Schonherr D23/245
D622,820 S * 8/2010 Bouroullec D23/254
D655,786 S * 3/2012 Fukasawa D23/242
D713,236 S * 9/2014 Park D8/310
D766,696 S * 9/2016 Kemker D8/310
D774,169 S * 12/2016 Kington D23/254
9,552,706 B2 * 1/2017 Schneider, II E03C 1/0404
D795,395 S * 8/2017 Kington D23/250
9,758,953 B2 * 9/2017 Bayley E03C 1/181

* cited by examiner

Primary Examiner — Robert A Delehanty

(74) *Attorney, Agent, or Firm* — Foley & Lardner LLP

(57) **CLAIM**

I claim the ornamental design for a shower controller, as shown and described.

DESCRIPTION

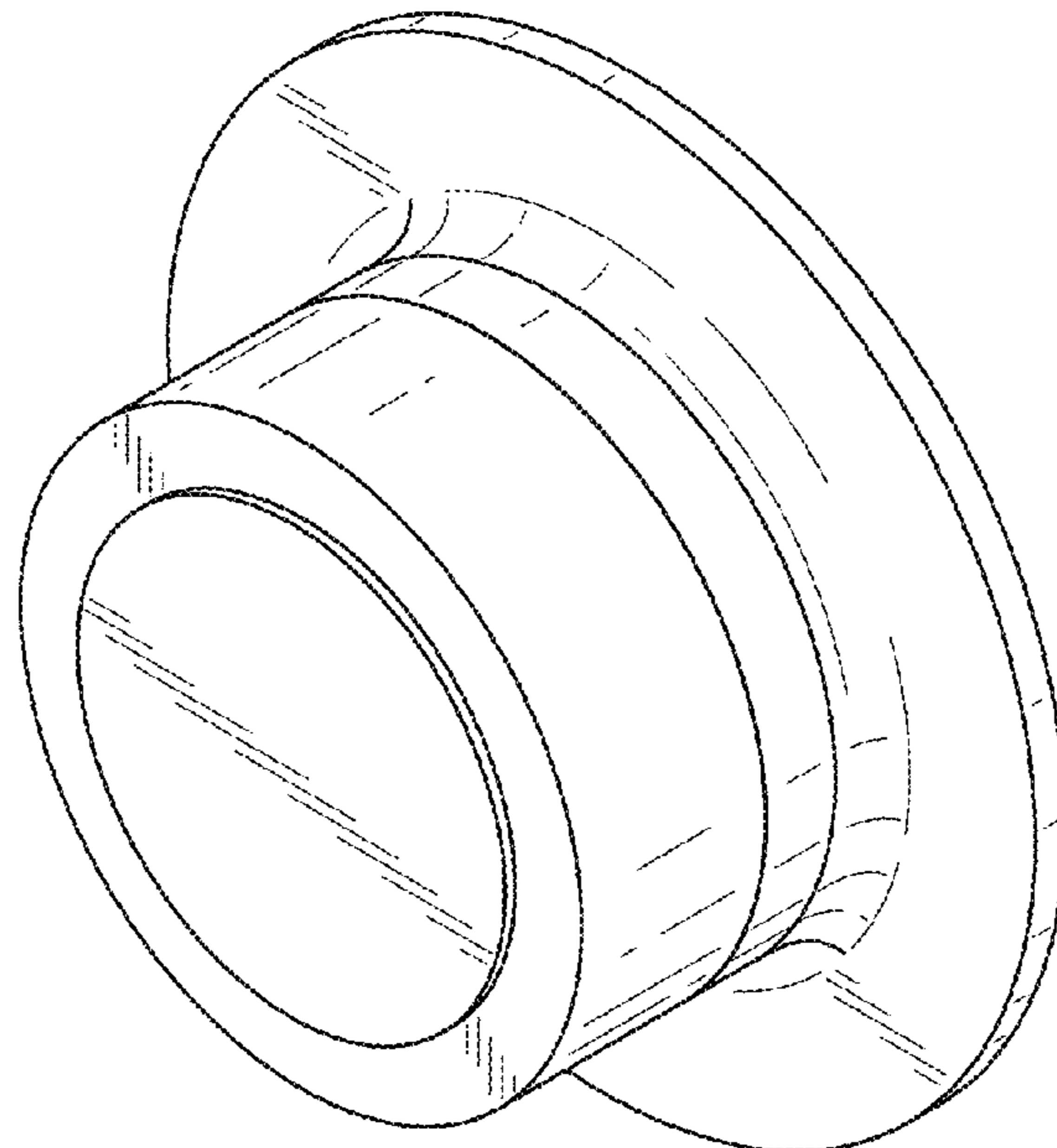
FIG. 1 is a perspective view of an embodiment of the claimed design;

FIG. 2 is another perspective view of the design shown in FIG. 1;

FIG. 3 is a front view of the design shown in FIG. 1; and, FIG. 4 is a side view of the design shown in FIG. 1.

The ornamental design which is claimed is shown in solid lines in the drawings: The broken lines formed by shorter length dash-dash lines illustrate unclaimed portions of the design. The broken lines formed by longer length dash-dash lines illustrate illumination and/or lighting only and form no part of the claimed design. Broken lines formed by dash-dot lines show boundaries between claimed and unclaimed portions of the design. The oblique line shading illustrates transparency or translucency.

1 Claim, 2 Drawing Sheets



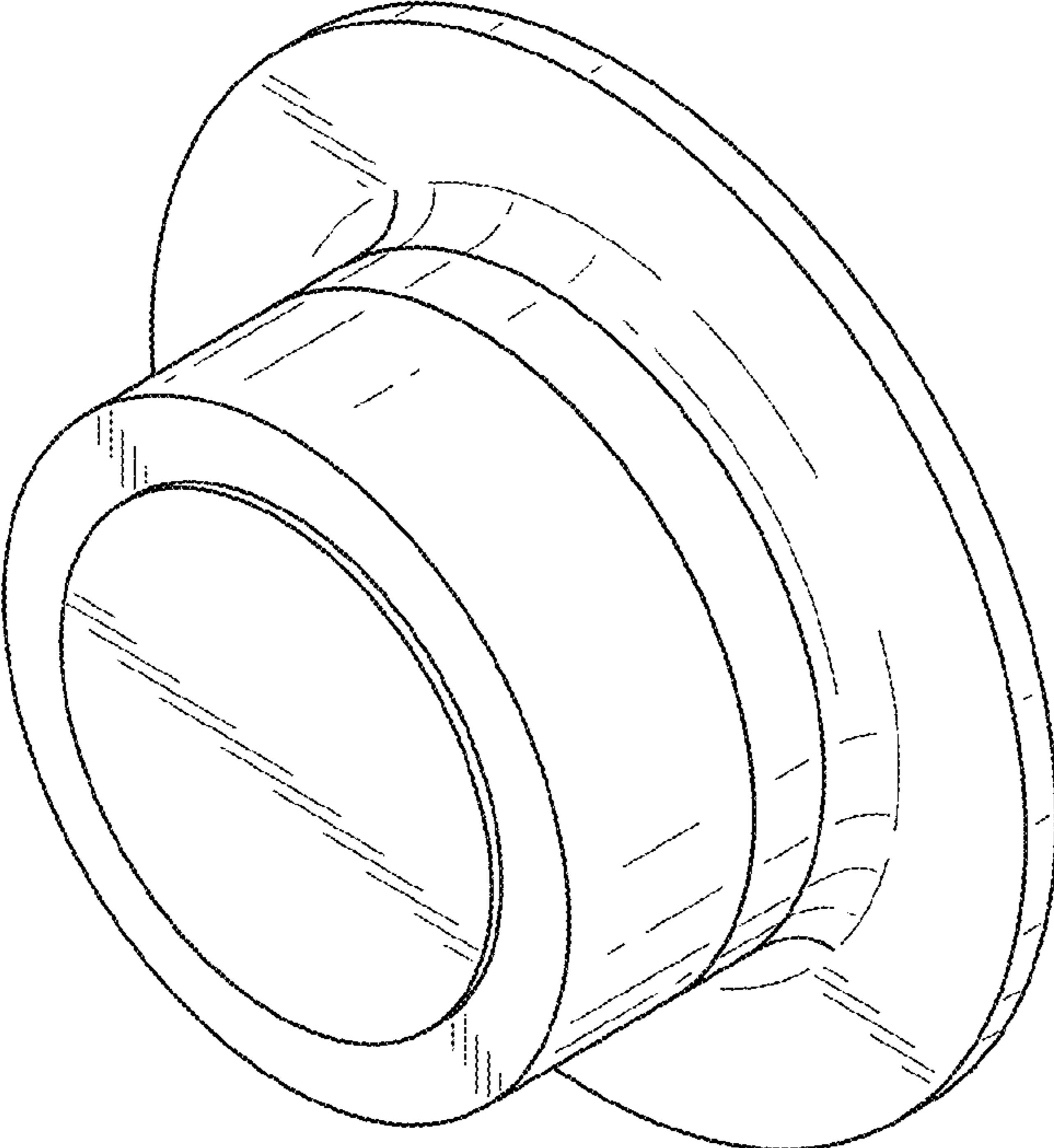


FIG. 1

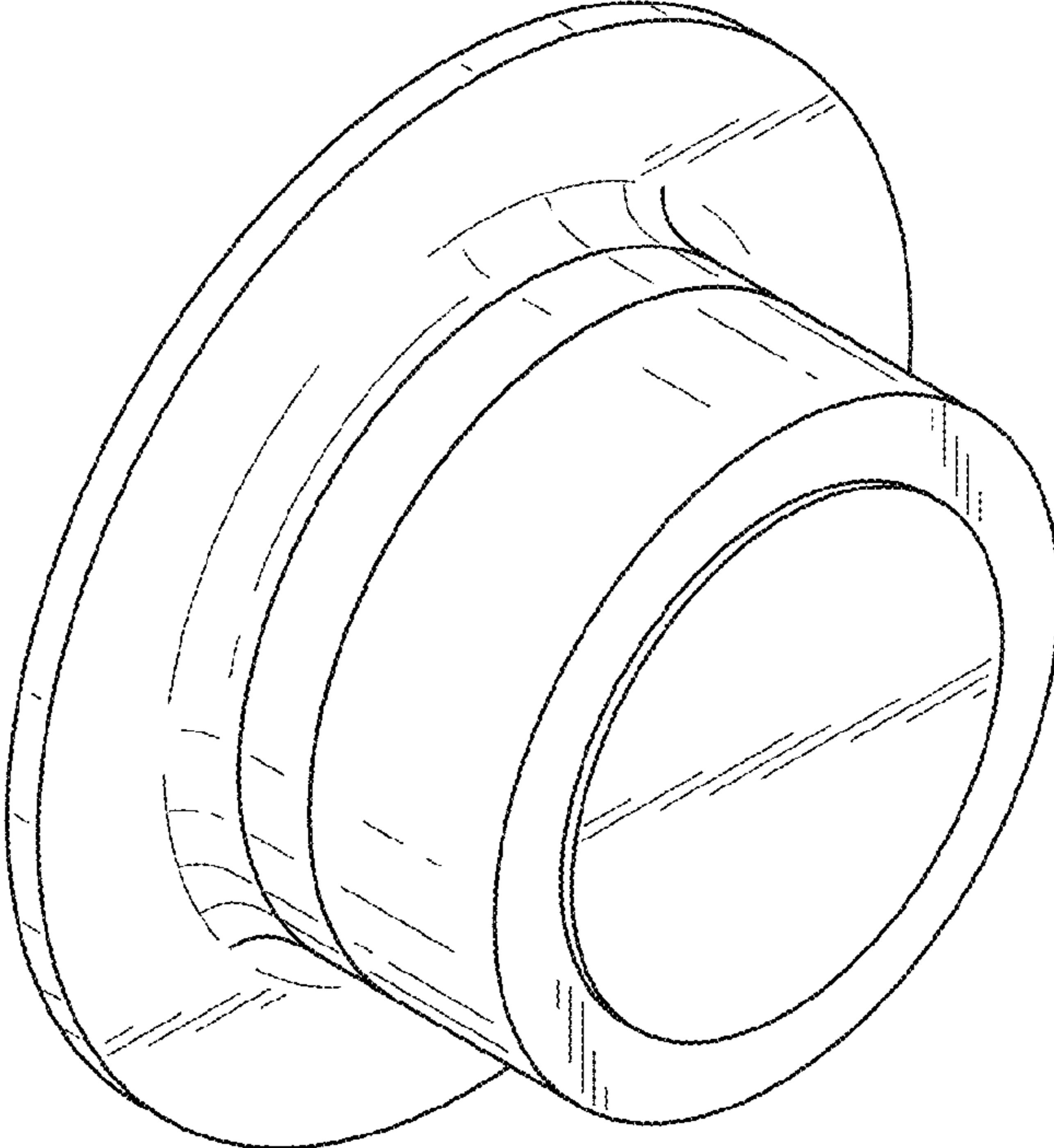


FIG. 2

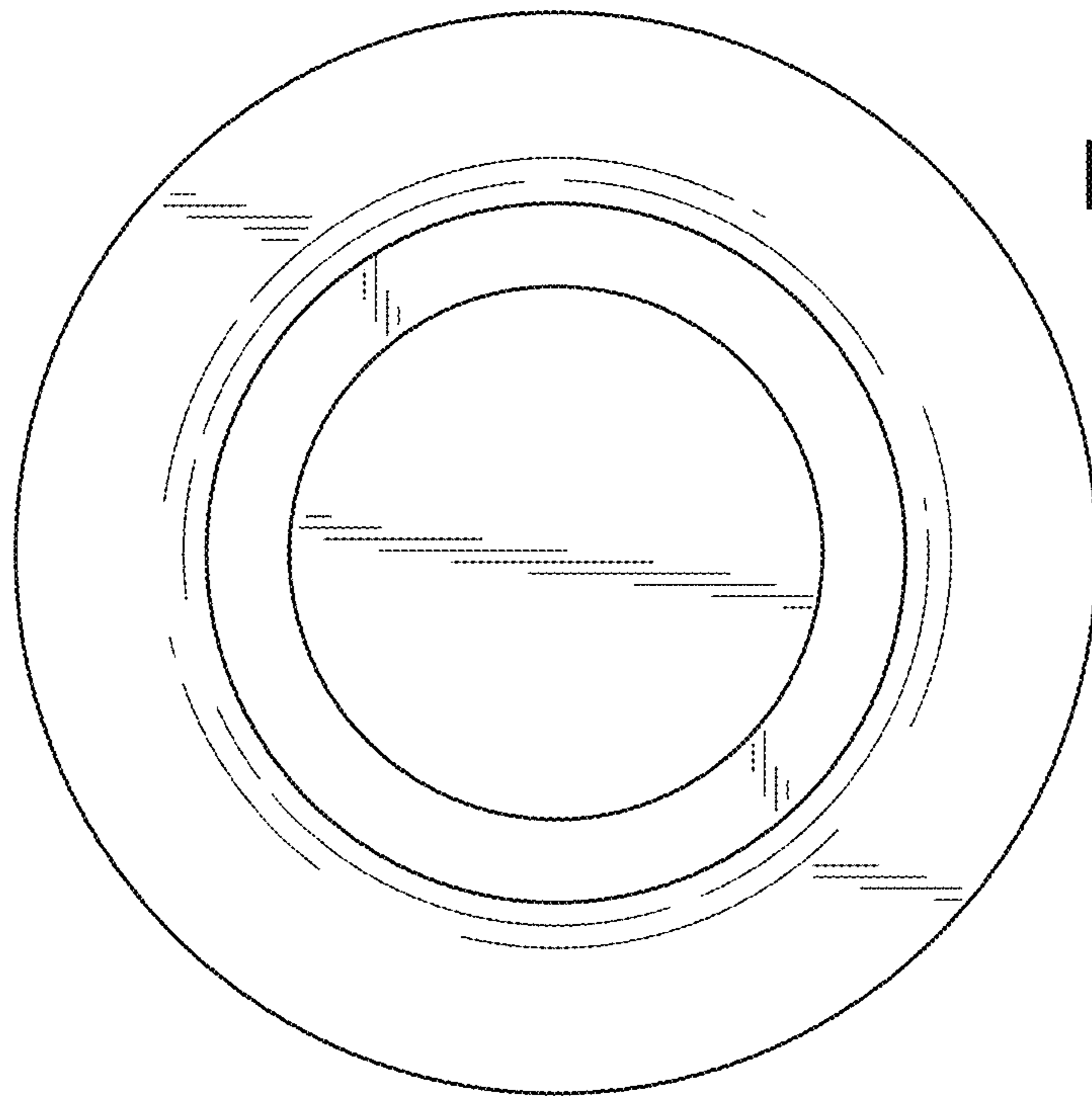


FIG. 3

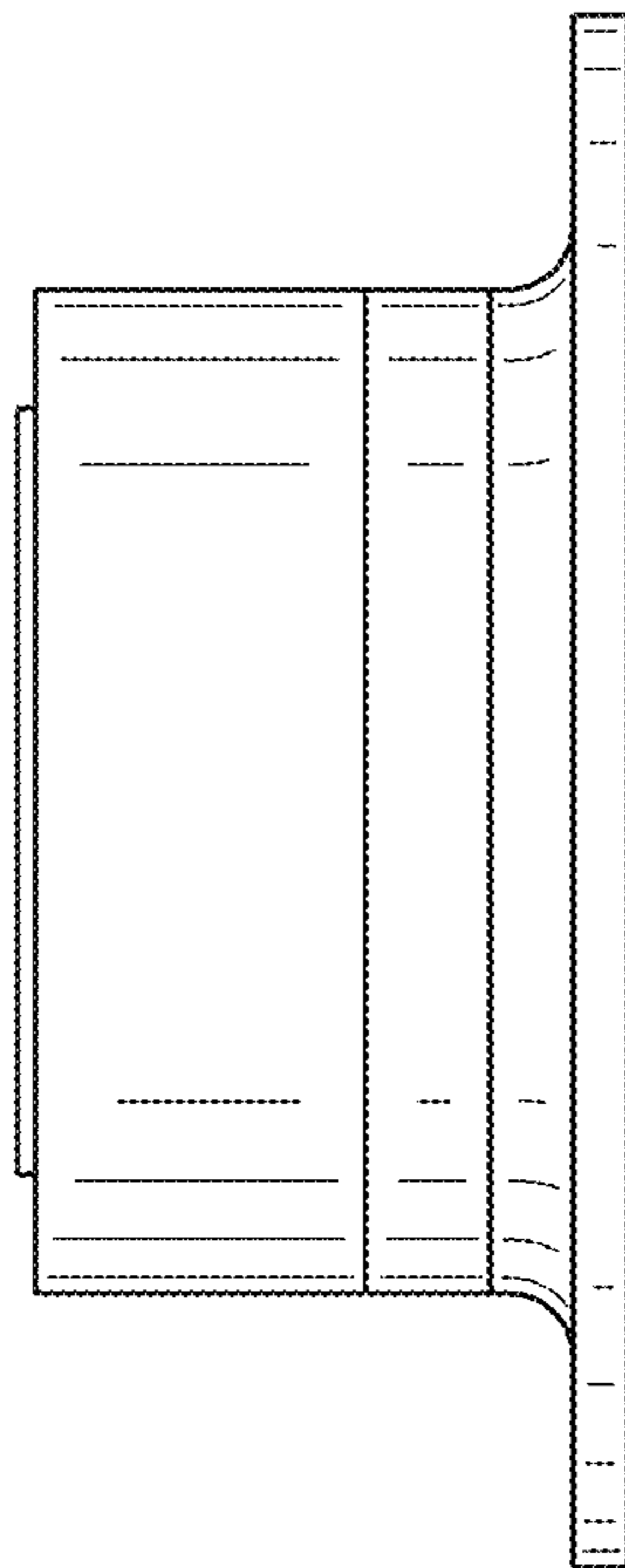


FIG. 4