



US00D828517S

(12) **United States Design Patent**  
**Breault**

(10) **Patent No.:** **US D828,517 S**

(45) **Date of Patent:** **\*\* Sep. 11, 2018**

(54) **VALVE AND POPPET ASSEMBLY**  
(71) Applicant: **Henkel IP & Holding GmbH**,  
Duesseldorf (DE)  
(72) Inventor: **John P. Breault**, New Britain, CT (US)  
(73) Assignee: **Henkel IP & Holding GmbH**,  
Duesseldorf (DE)  
(\*\*) Term: **15 Years**

(21) Appl. No.: **29/598,147**

(22) Filed: **Mar. 23, 2017**

**Related U.S. Application Data**

(63) Continuation of application No. 13/451,964, filed on  
Apr. 20, 2012, now Pat. No. 9,636,698, which is a  
continuation of application No.  
PCT/US2011/048568, filed on Aug. 22, 2011.

(51) **LOC (11) Cl.** ..... **23-01**

(52) **U.S. Cl.**  
USPC ..... **D23/248**

(58) **Field of Classification Search**  
USPC ..... D23/233–249; 251/359, 324, 363, 538;  
123/188.2, 188.8, 193.5, 41.41, 188.3,  
123/90.16; 137/315.05, 614; D15/1, 5,  
D15/7, 9; 222/571, 511, 518  
CPC ..... F16K 31/406; F16K 27/041; F16K 23/00  
See application file for complete search history.

(56) **References Cited**

**U.S. PATENT DOCUMENTS**

4,134,428 A \* 1/1979 Bjorklund ..... F23K 5/147  
137/614.2  
4,354,519 A \* 10/1982 Bjorklund ..... F16K 23/00  
137/312

4,819,591 A \* 4/1989 Valentine ..... F01L 1/053  
123/90.16  
2007/0181615 A1 \* 8/2007 Allanson ..... B65D 47/248  
222/518  
2010/0040497 A1 \* 2/2010 Mohamed ..... F01L 3/085  
137/614  
2012/0111901 A1 \* 5/2012 Beard ..... B67D 3/043  
222/511  
2012/0285999 A1 \* 11/2012 Breault ..... B05C 5/0225  
222/571  
2017/0328164 A1 \* 11/2017 Partridge ..... E21B 33/038

\* cited by examiner

*Primary Examiner* — Cynthia Ramirez

*Assistant Examiner* — Gino Colan

(74) *Attorney, Agent, or Firm* — Steven C. Bauman

(57) **CLAIM**

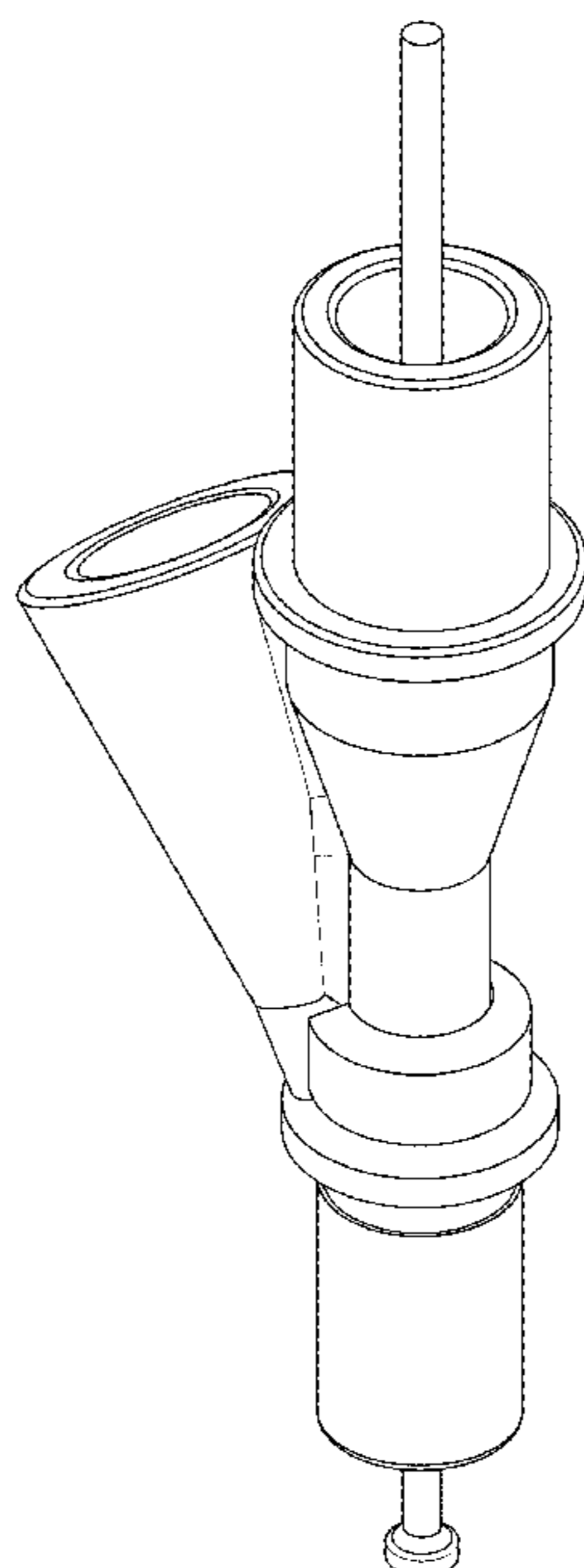
The ornamental design for a valve and poppet assembly, as  
shown and described.

**DESCRIPTION**

FIG. 1 is a front, right side and top perspective view of a  
valve and poppet assembly showing a new design;  
FIG. 2 is a front view thereof;  
FIG. 3 is a rear view thereof;  
FIG. 4 is a left view thereof;  
FIG. 5 is a right view thereof;  
FIG. 6 is a top view thereof; and,  
FIG. 7 is a bottom view thereof.

The broken lines are included for the purpose of illustrating  
portions of the valve and poppet assembly that form no part  
of the claimed design.

**1 Claim, 5 Drawing Sheets**



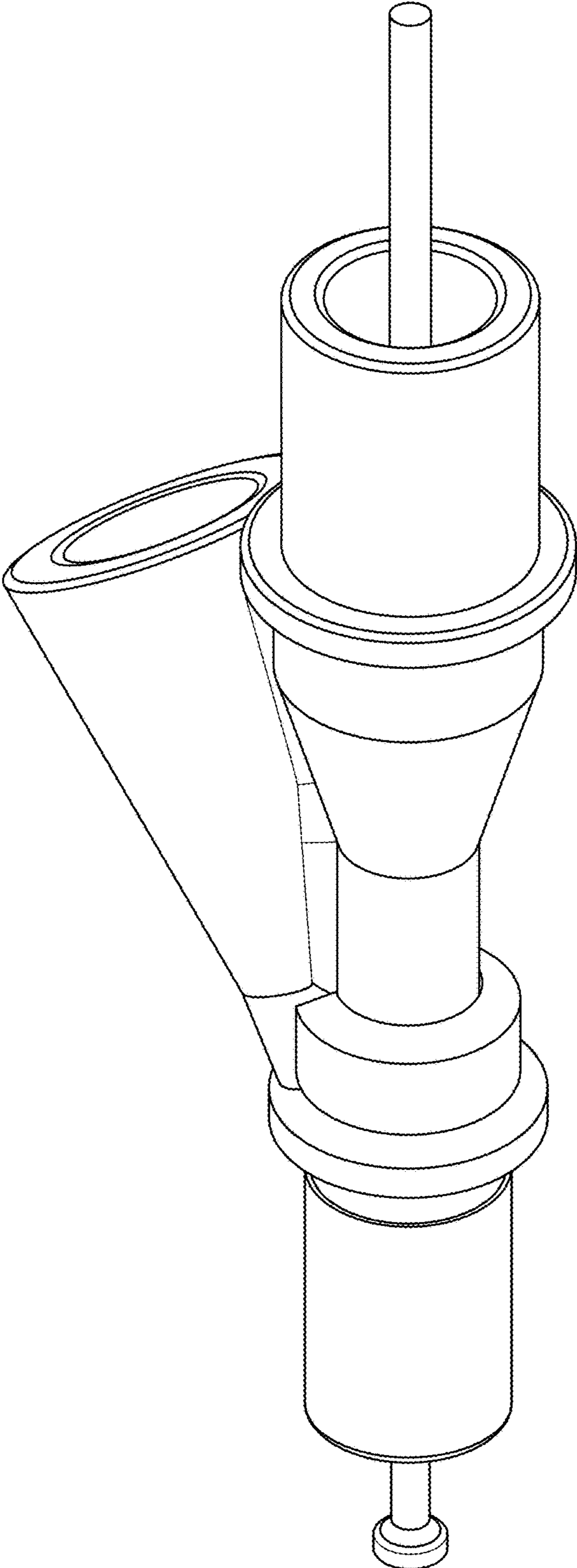


FIG. 1

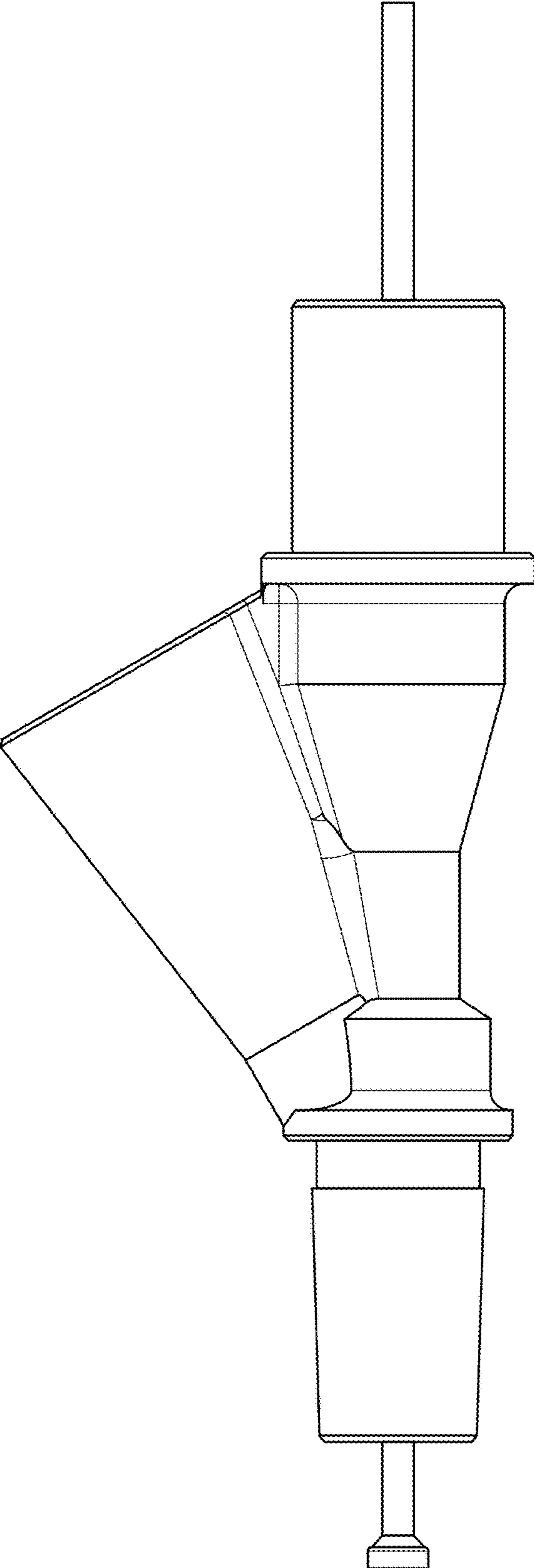


FIG. 2

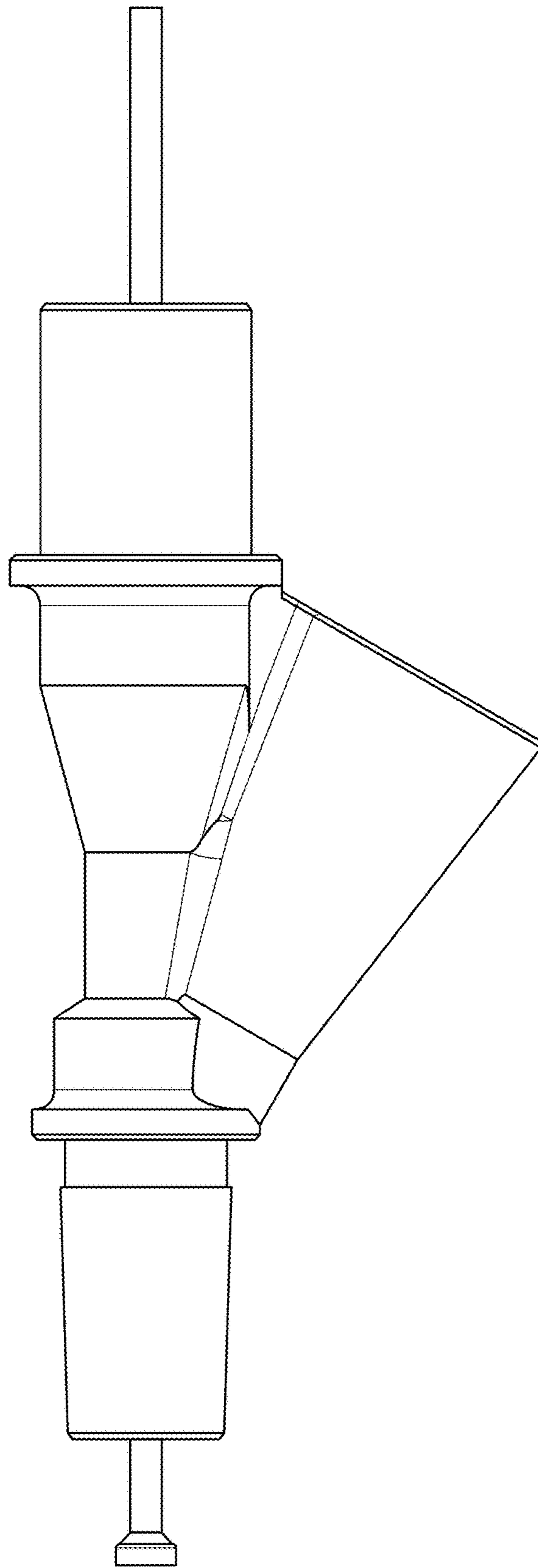


FIG. 3

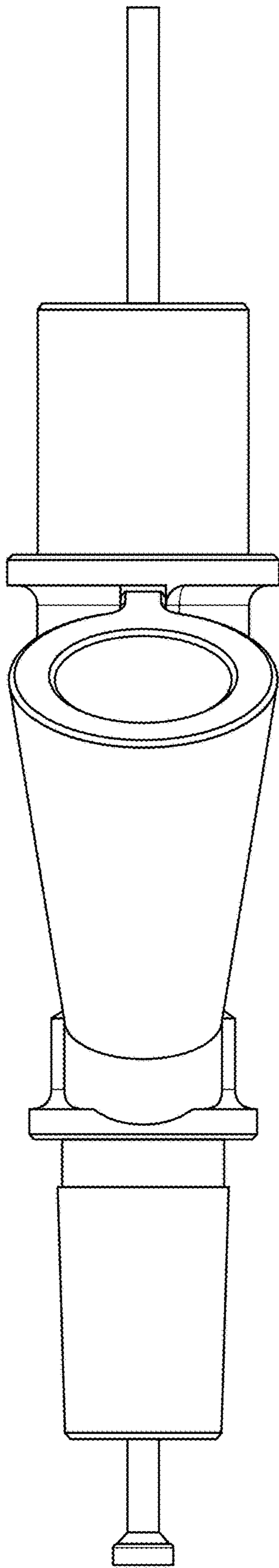


FIG. 4

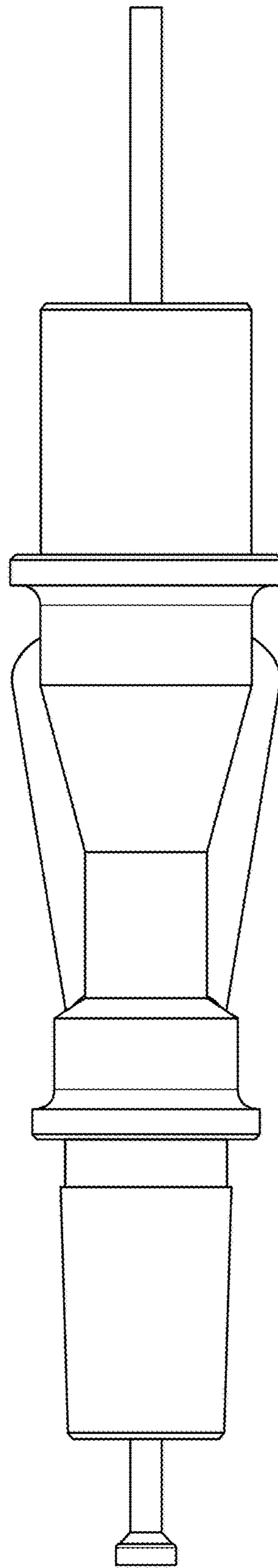


FIG. 5

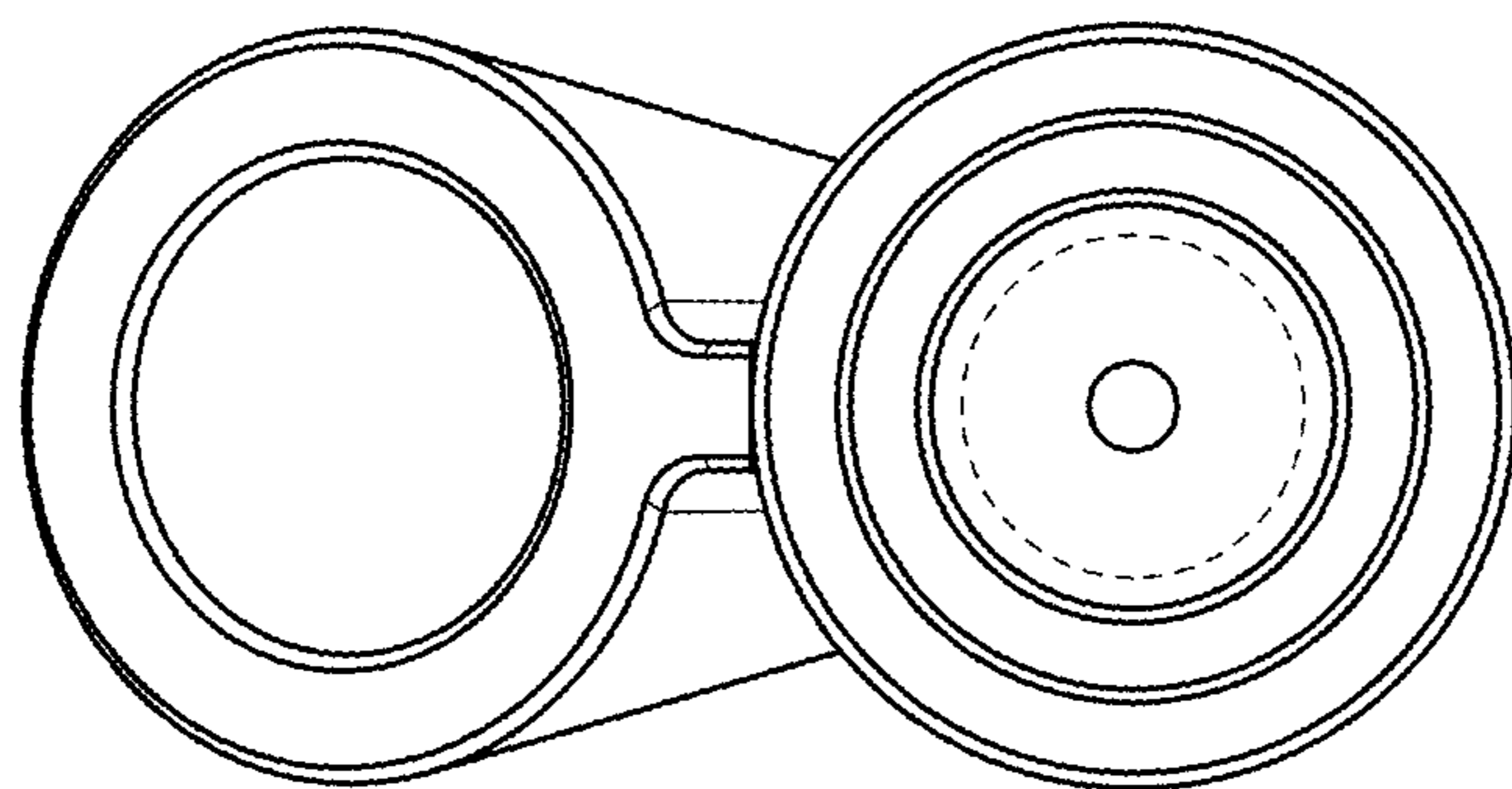


FIG. 6

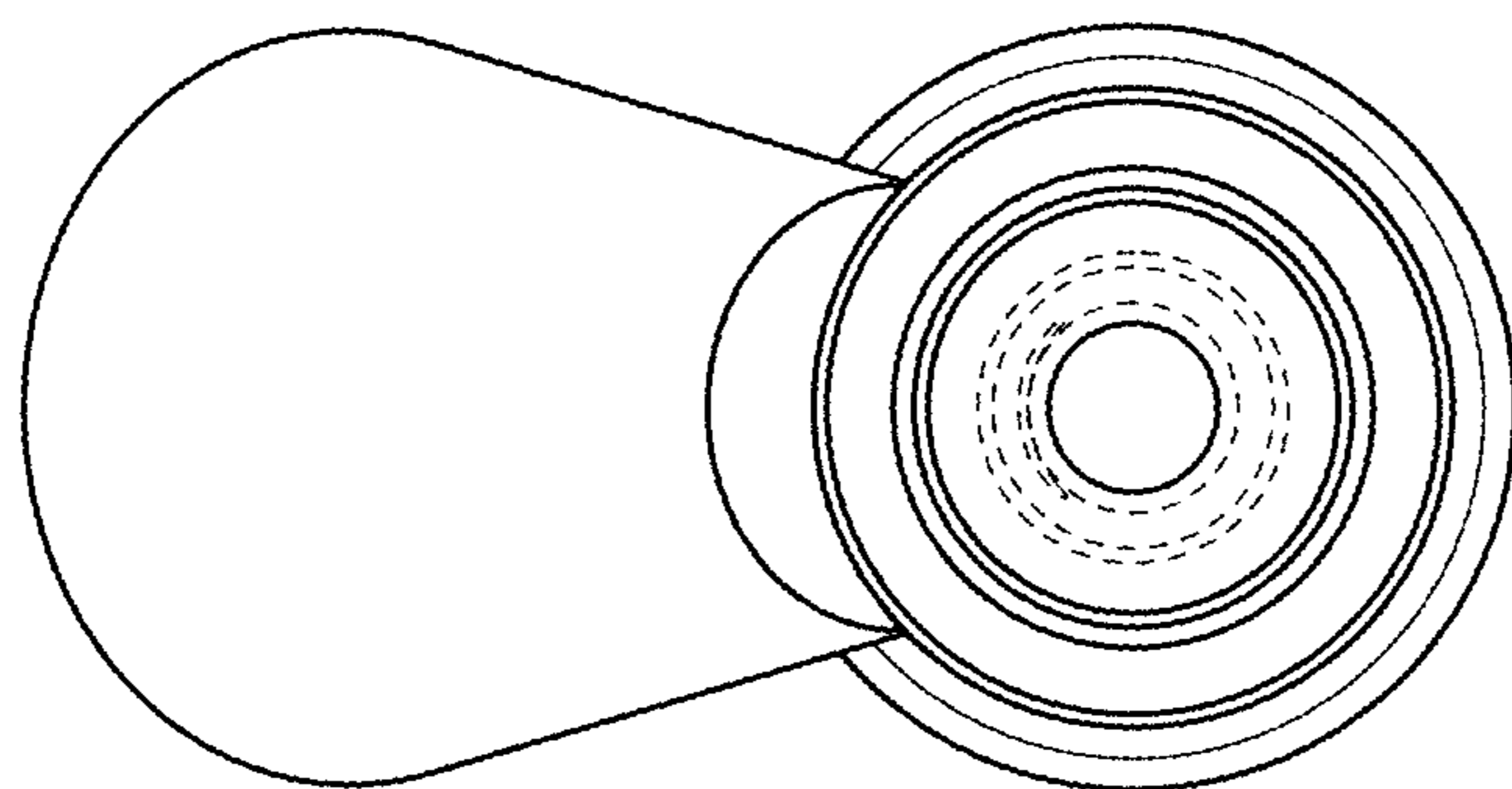


FIG. 7