



US00D828516S

(12) **United States Design Patent** (10) **Patent No.:** **US D828,516 S**
Liu et al. (45) **Date of Patent:** **** Sep. 11, 2018**

(54) **WALL MIXER**

(71) Applicant: **Phoenix Industries Pty Ltd,**
Bayswater, Victoria (AU)

(72) Inventors: **Ban Hsi Liu,** Bayswater (AU); **Stephen Frank Pedulla,** Bayswater (AU);
Andrew John Cocks, Bayswater (AU)

(73) Assignee: **Phoenix Industries Pty Ltd.,**
Bayswater (AU)

(**) Term: **15 Years**

(21) Appl. No.: **29/605,556**

(22) Filed: **May 26, 2017**

(30) **Foreign Application Priority Data**

AU	308201	7/2006
AU	308202	7/2006
AU	314560	6/2007
AU	314563	6/2007
AU	321286	10/2008
AU	328364	11/2009
AU	328365	11/2009
AU	334096	12/2010
AU	336356	5/2011
AU	336357	5/2011
AU	337781	7/2011
AU	337782	7/2011
AU	344493	9/2012
AU	344494	9/2012
AU	350490	8/2013
AU	355991	6/2014
AU	355992	6/2014
AU	355993	6/2014
AU	355994	6/2014
AU	357542	9/2014
AU	357840	9/2014
AU	357842	9/2014
AU	357843	9/2014

Dec. 1, 2016 (AU) 201616713

(51) **LOC (11) Cl.** **23-01**

(52) **U.S. Cl.**
USPC **D23/242**

(58) **Field of Classification Search**
USPC D23/238-242, 249, 255, 257; D8/350,
D8/353
CPC Y10T 137/9464
See application file for complete search history.

* cited by examiner

Primary Examiner — Robert A Delehanty
 (74) *Attorney, Agent, or Firm* — Womble Bond Dickinson
 (US) LLP

(56) **References Cited**

U.S. PATENT DOCUMENTS

D582,009 S * 12/2008 Citterio D23/238
 D791,919 S * 7/2017 Schoenherr D23/238

FOREIGN PATENT DOCUMENTS

AU	308198	7/2006
AU	308199	7/2006

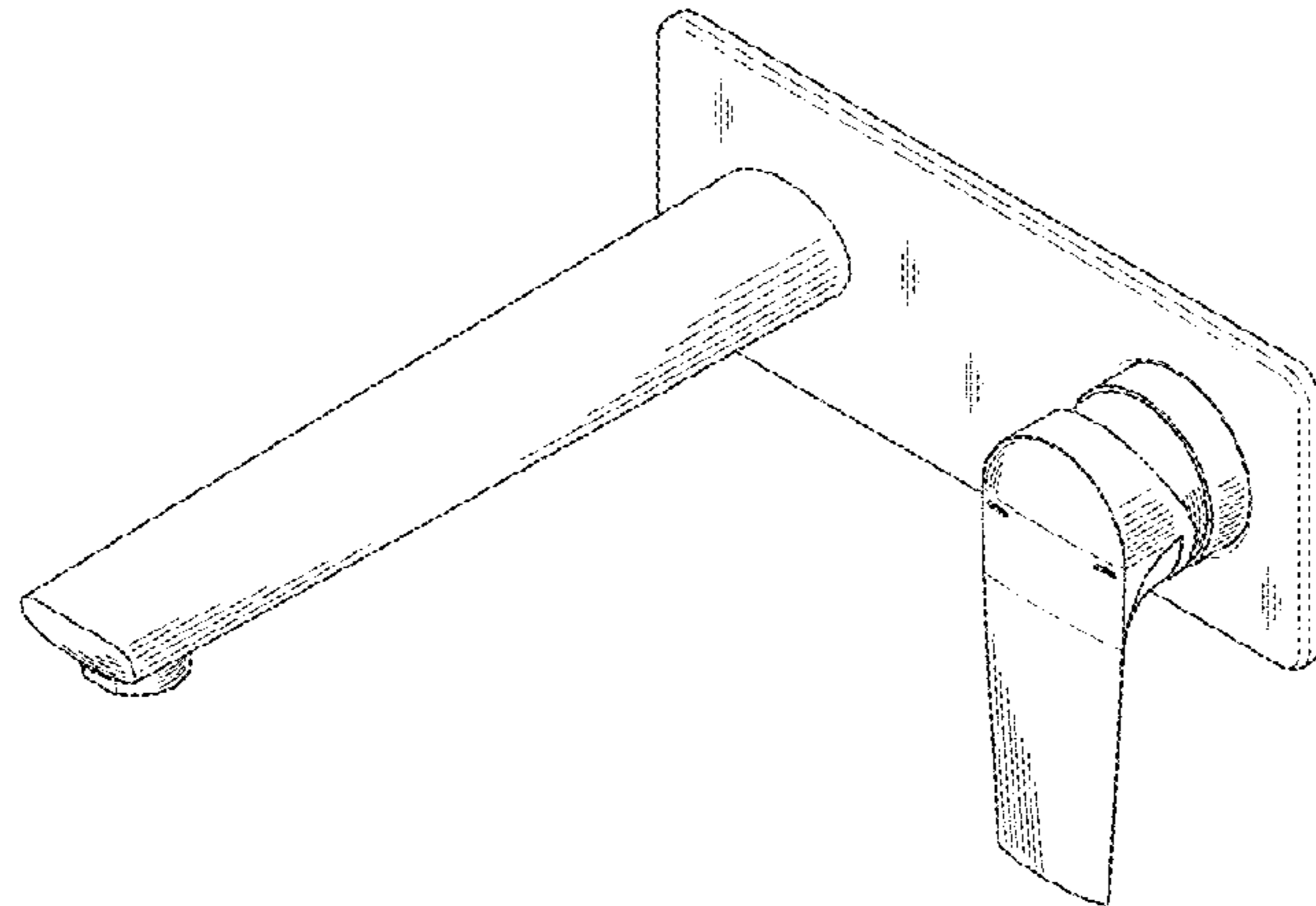
(57) **CLAIM**

The ornamental design for a wall mixer, as shown and described.

DESCRIPTION

FIG. 1 is a front perspective view of our design;
 FIG. 2 is a top view thereof;
 FIG. 3 is a left side view thereof;
 FIG. 4 is a front view thereof;
 FIG. 5 is a right side view thereof; and,
 FIG. 6 is a bottom view thereof.

1 Claim, 2 Drawing Sheets



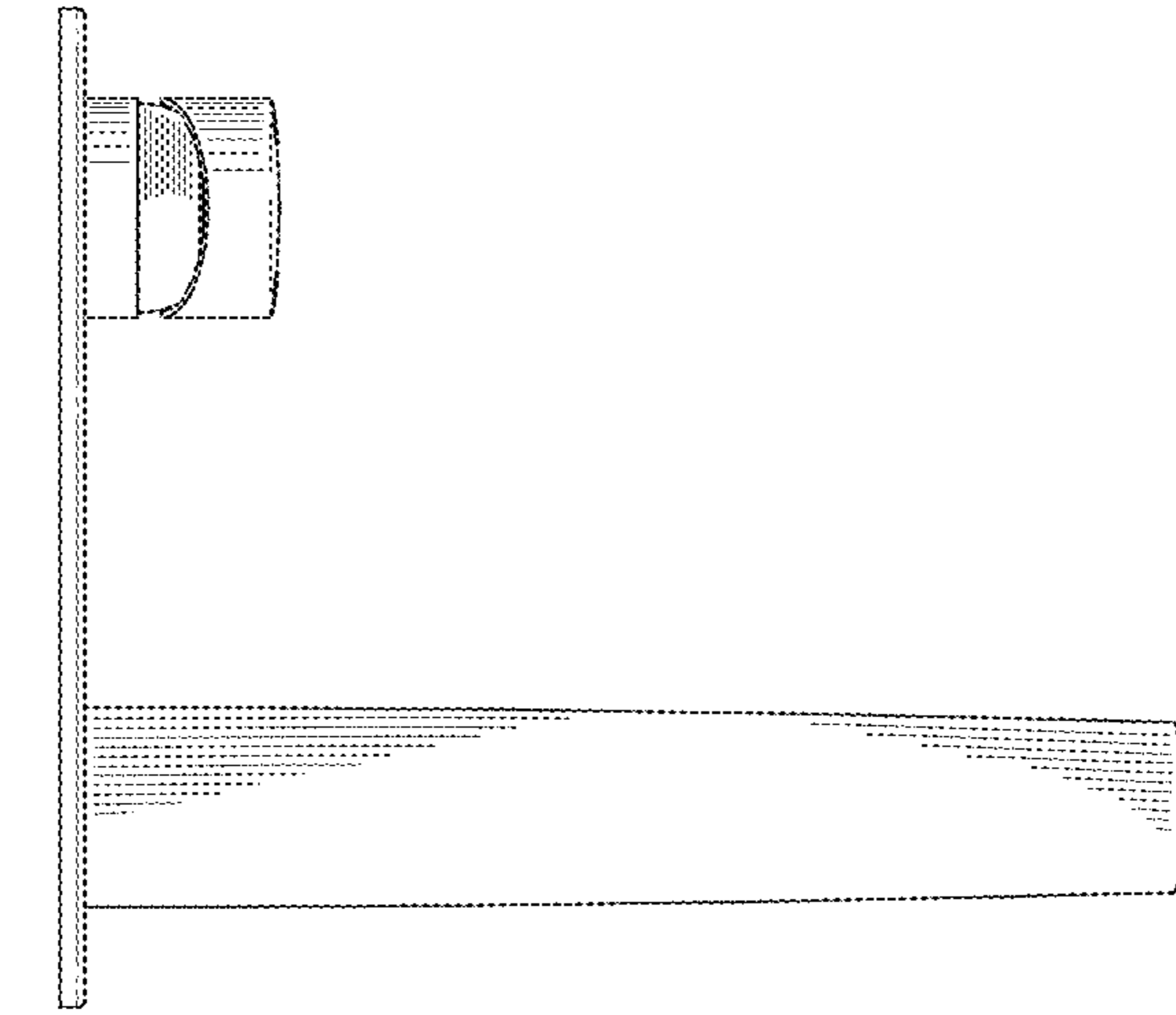


Figure 2

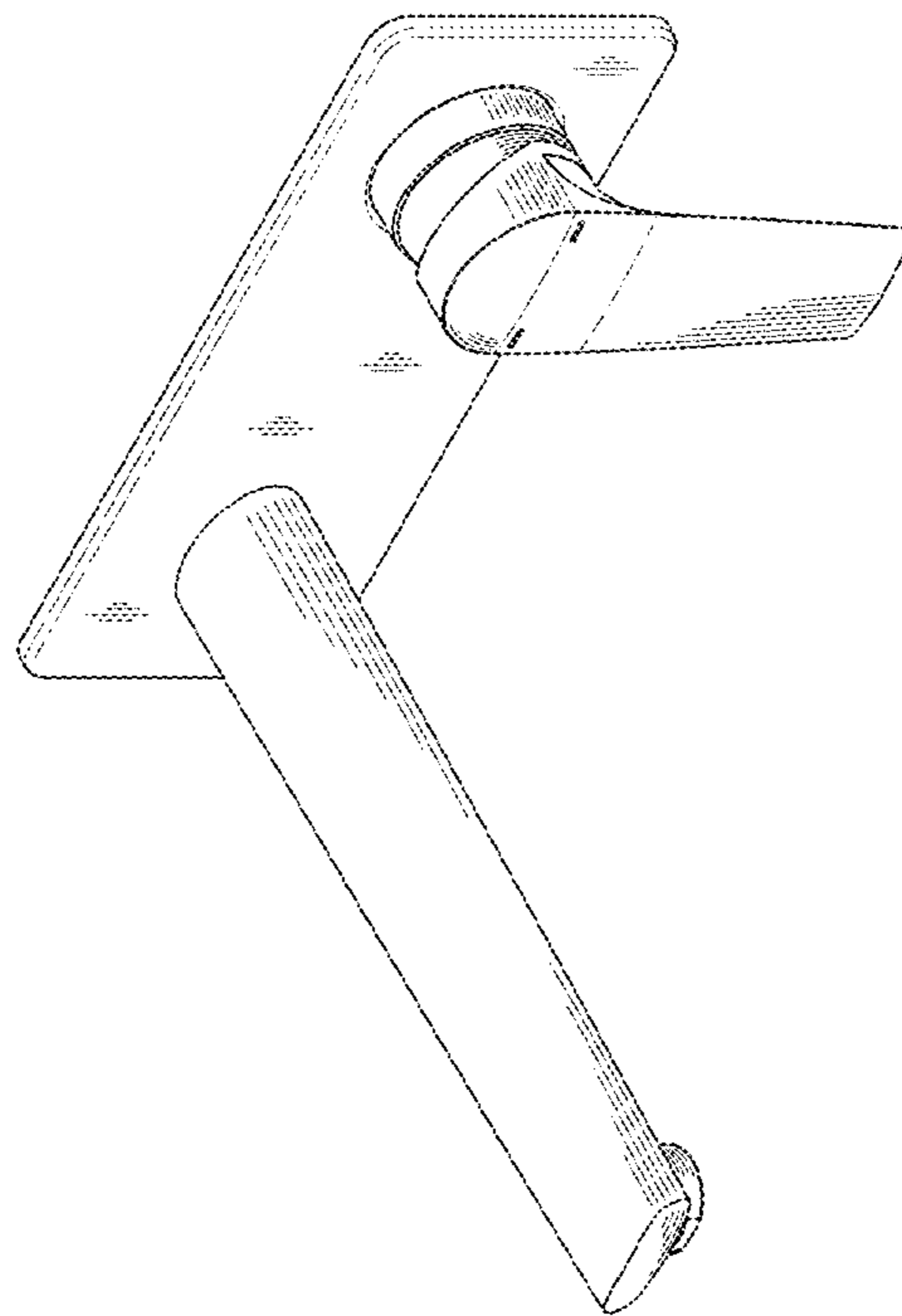


Figure 1

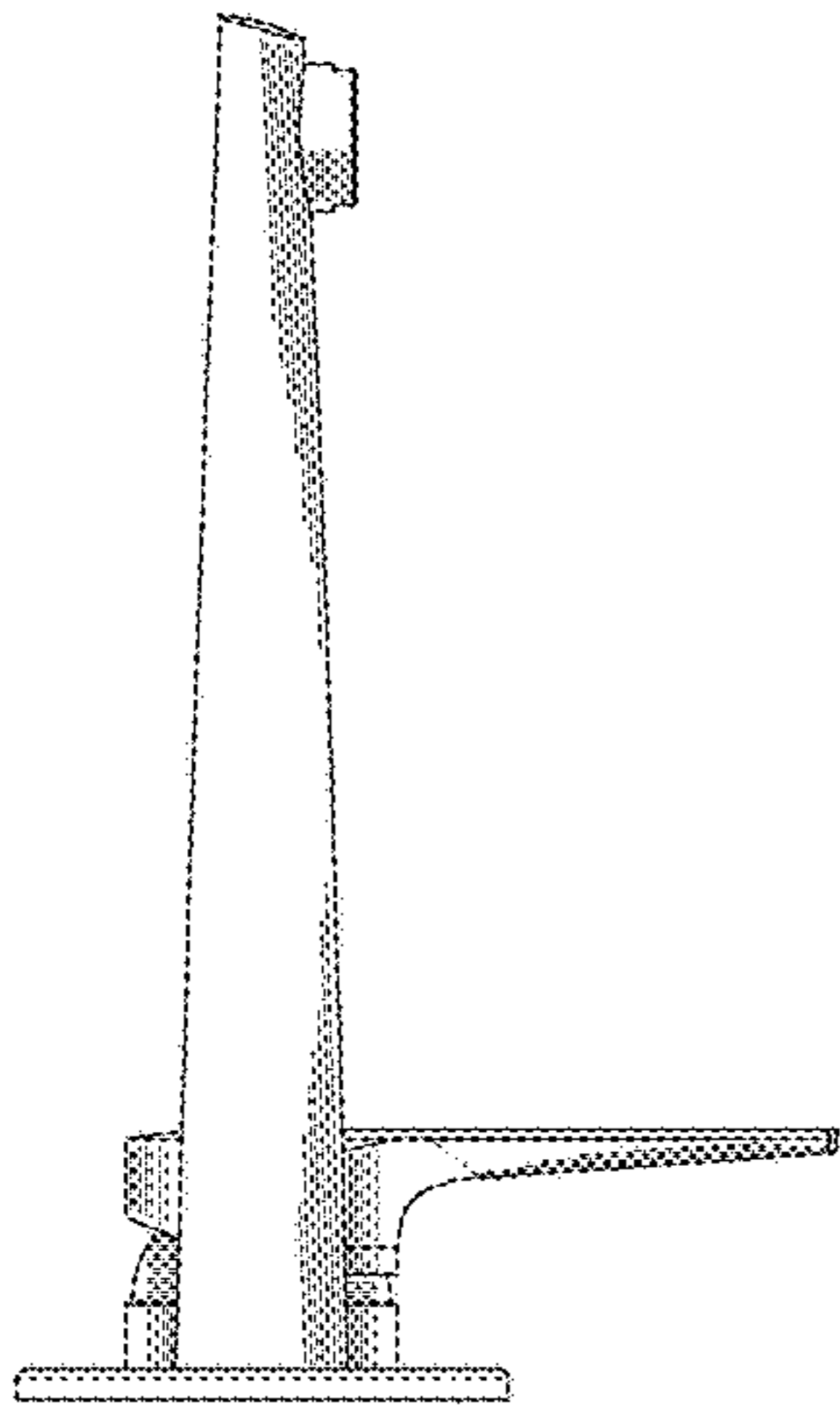


Figure 3

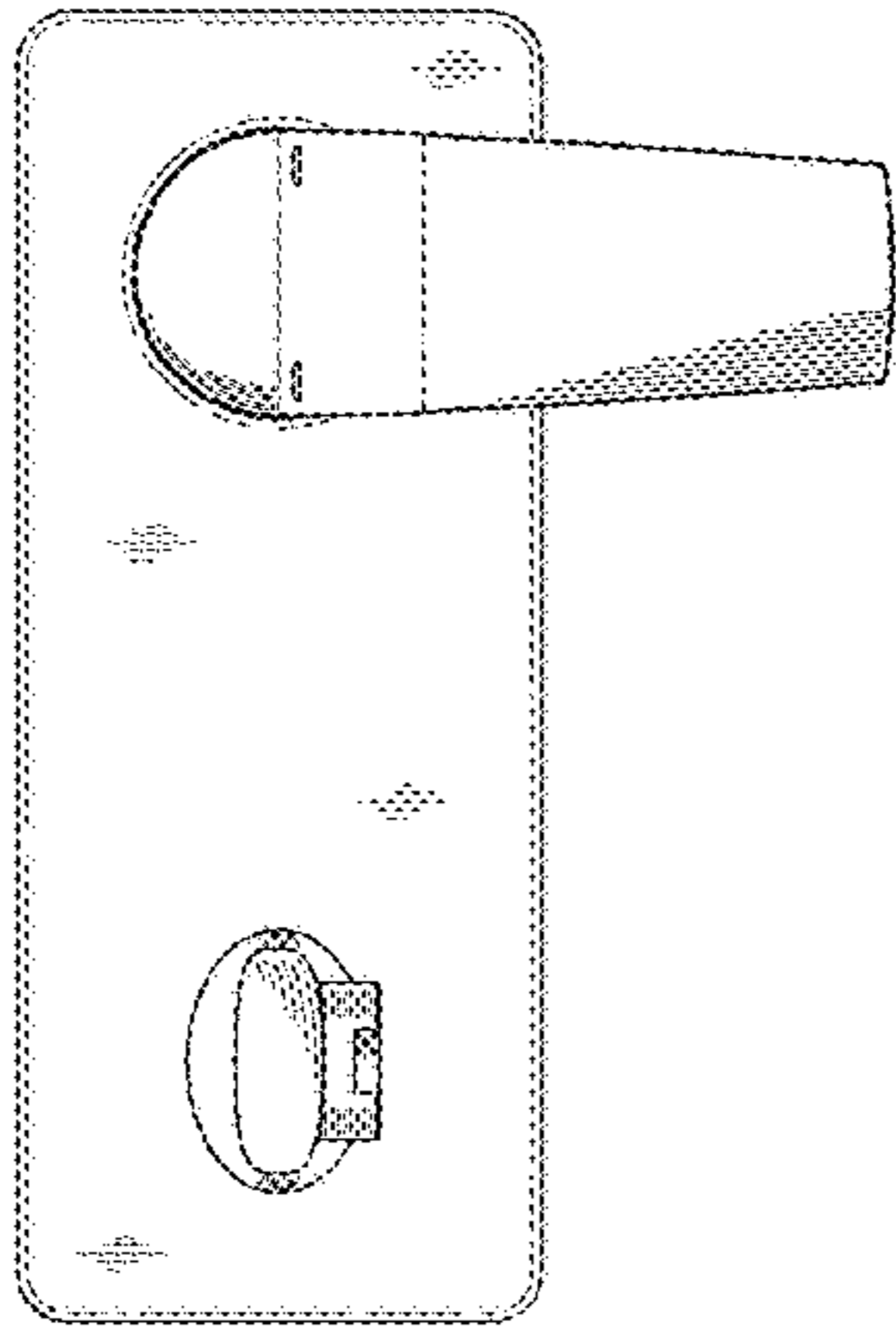


Figure 4

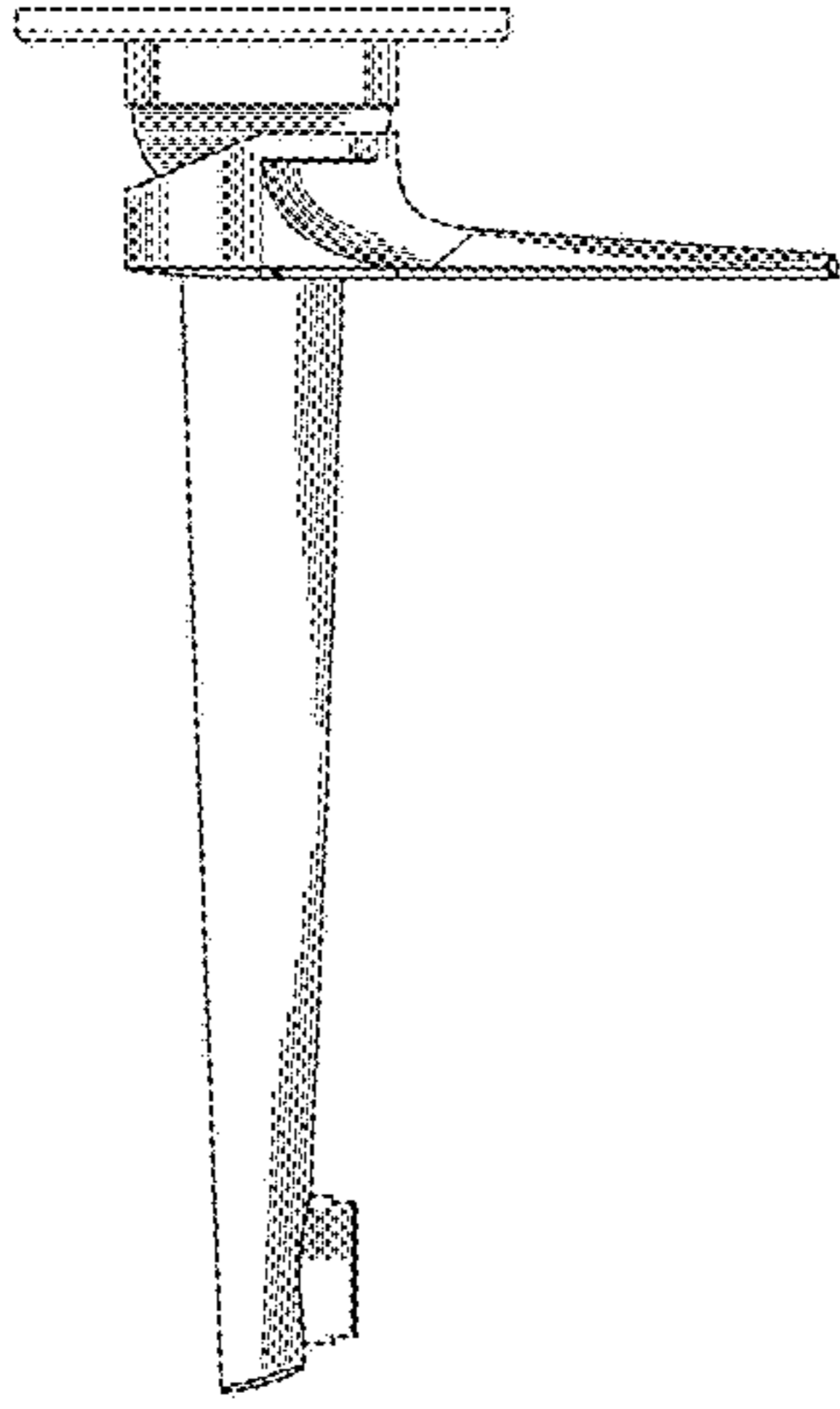


Figure 5

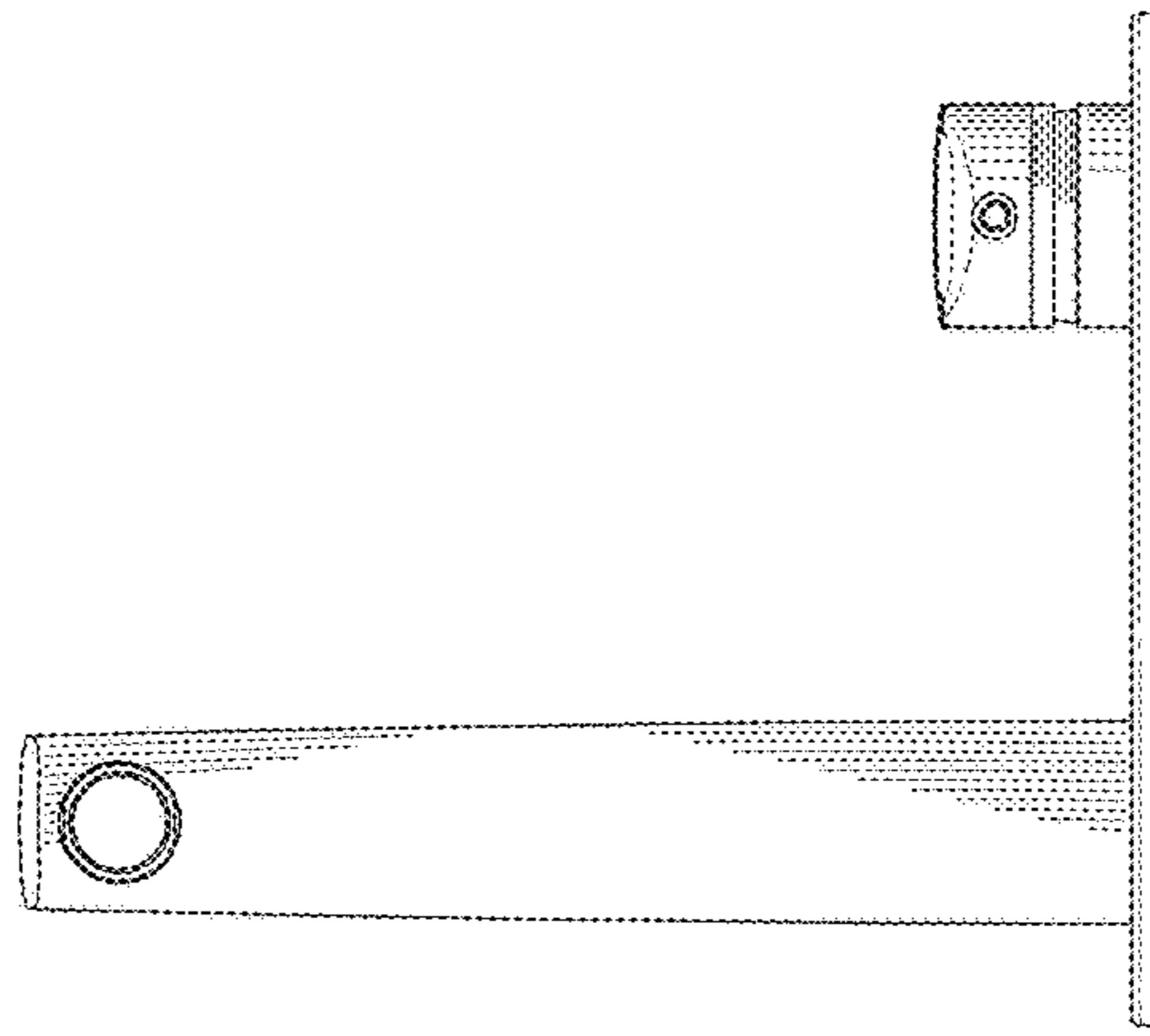


Figure 6