



US00D828515S

(12) **United States Design Patent** (10) **Patent No.:** **US D828,515 S**
Seum et al. (45) **Date of Patent:** **** Sep. 11, 2018**

(54) **BASIN MIXER**

(71) Applicant: **Grohe AG**, Hemer (DE)

(72) Inventors: **Michael Seum**, Duesseldorf (DE);
Mirko Goetzen, Duesseldorf (DE)

(73) Assignee: **Grohe AG**, Hemer (DE)

(**) Term: **15 Years**

(21) Appl. No.: **29/603,710**

(22) Filed: **May 11, 2017**

(30) **Foreign Application Priority Data**

Nov. 11, 2016 (EM) 003459254-0007

(51) **LOC (11) Cl.** **23-01**

(52) **U.S. Cl.**
USPC **D23/242**

(58) **Field of Classification Search**
USPC D23/238-242, 249, 255, 257; D8/350,
D8/353
CPC Y10T 137/9464
See application file for complete search history.

(56) **References Cited**

U.S. PATENT DOCUMENTS

D519,617 S * 4/2006 Hoernig D23/255
D628,277 S * 11/2010 Montgomery D23/252

D636,065 S * 4/2011 Schoenherr D23/255
D704,304 S * 5/2014 Schoenherr D23/238
D779,639 S * 2/2017 Hong D23/255
D810,244 S * 2/2018 Schoenherr D23/255

* cited by examiner

Primary Examiner — Robert A Delehanty

(74) *Attorney, Agent, or Firm* — Muncy, Geissler, Olds & Lowe, P.C.

(57) **CLAIM**

The ornamental design for a basin mixer, as shown and described.

DESCRIPTION

FIG. 1 is a front perspective view of a basin mixer according to the present invention.

FIG. 2 is a front view of the basin mixer of FIG. 1.

FIG. 3 is a rear view of the basin mixer of FIG. 1.

FIG. 4 is a left side view of the basin mixer of FIG. 1.

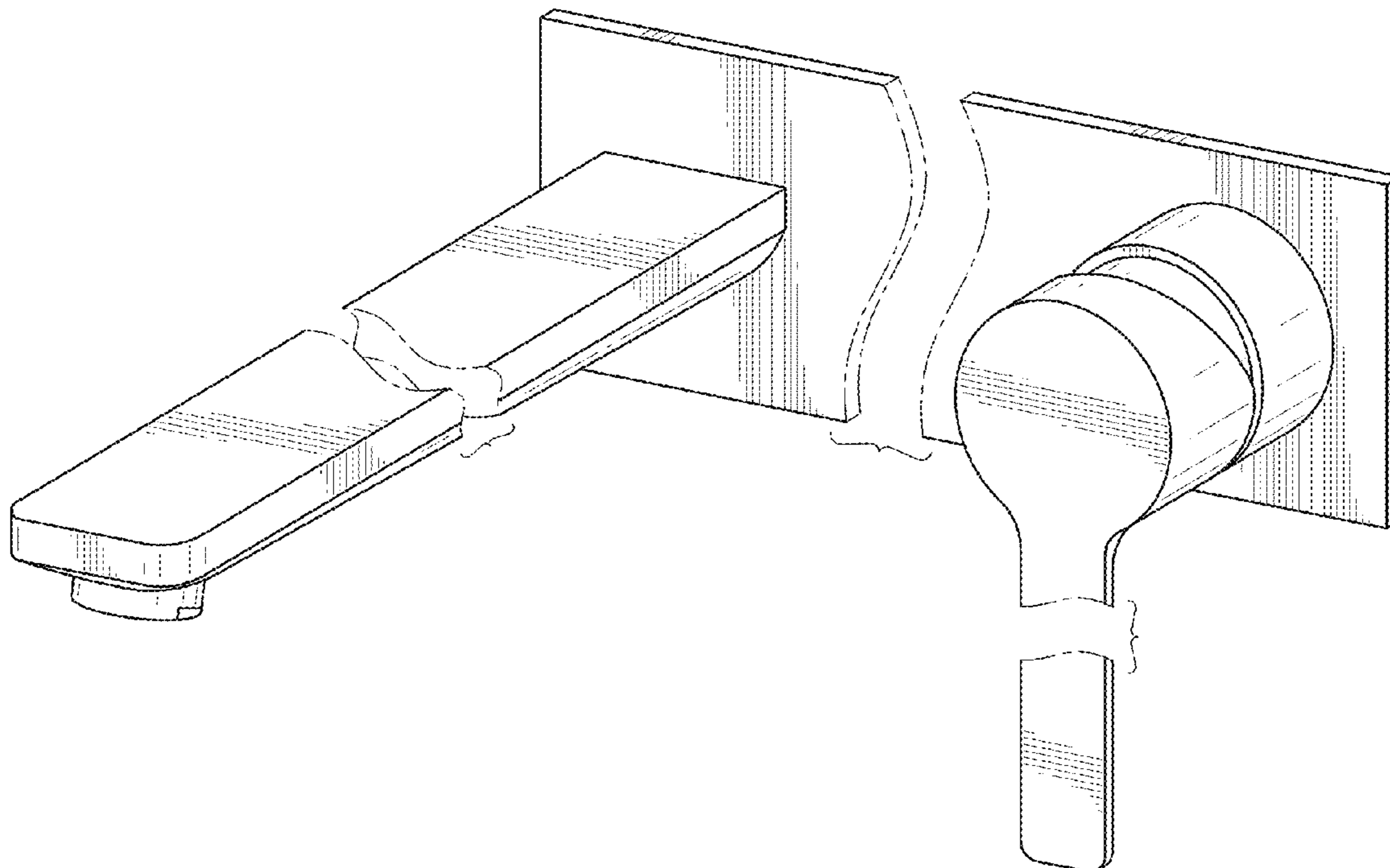
FIG. 5 is a right side view of the basin mixer of FIG. 1.

FIG. 6 is a top view of the basin mixer of FIG. 1; and,

FIG. 7 is a bottom view of the basin mixer of FIG. 1.

The dashed lines illustrate environment that does not form a part of the present invention, and no claim is made to the material illustrated with dashed lines.

1 Claim, 7 Drawing Sheets



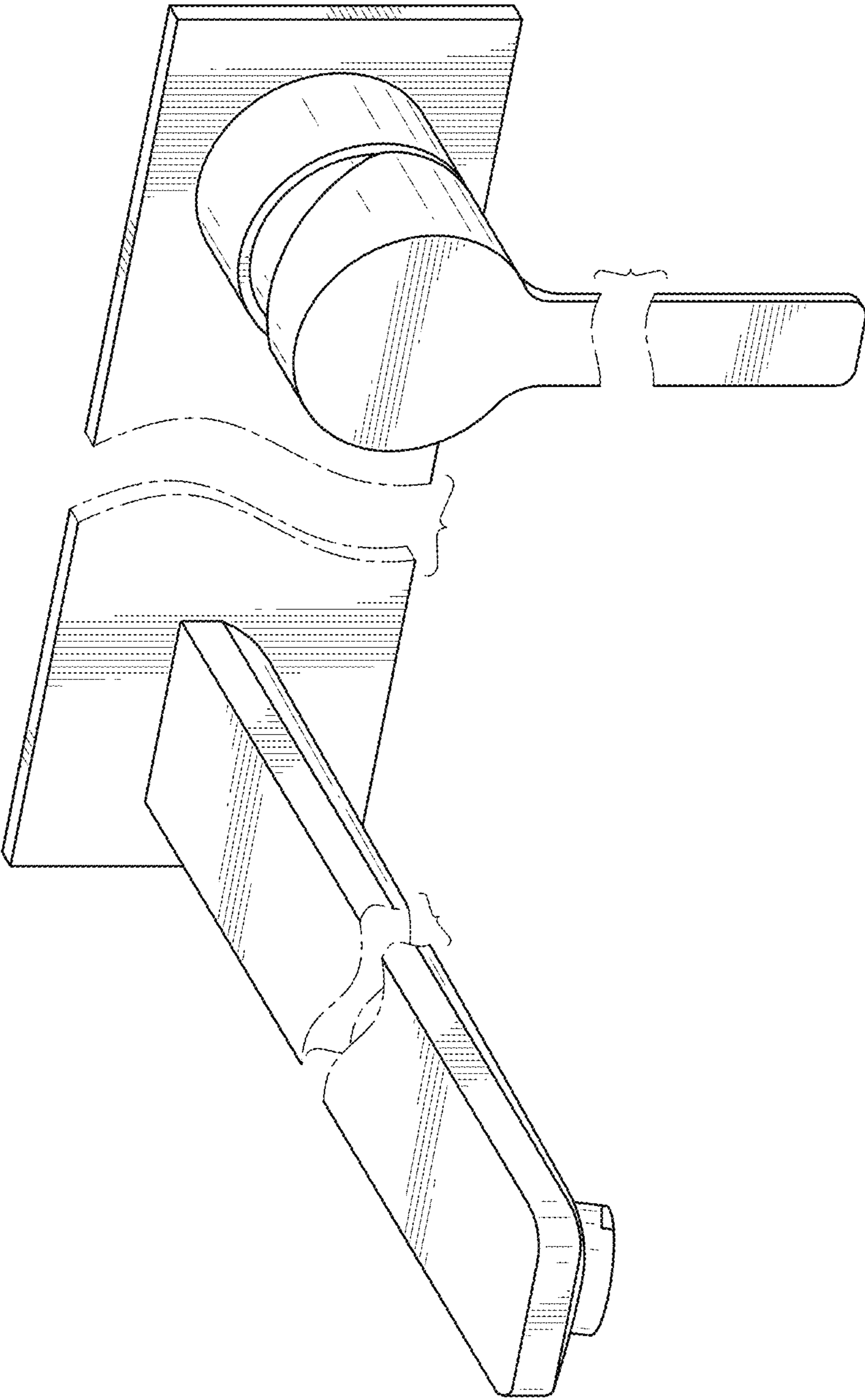


FIG.1

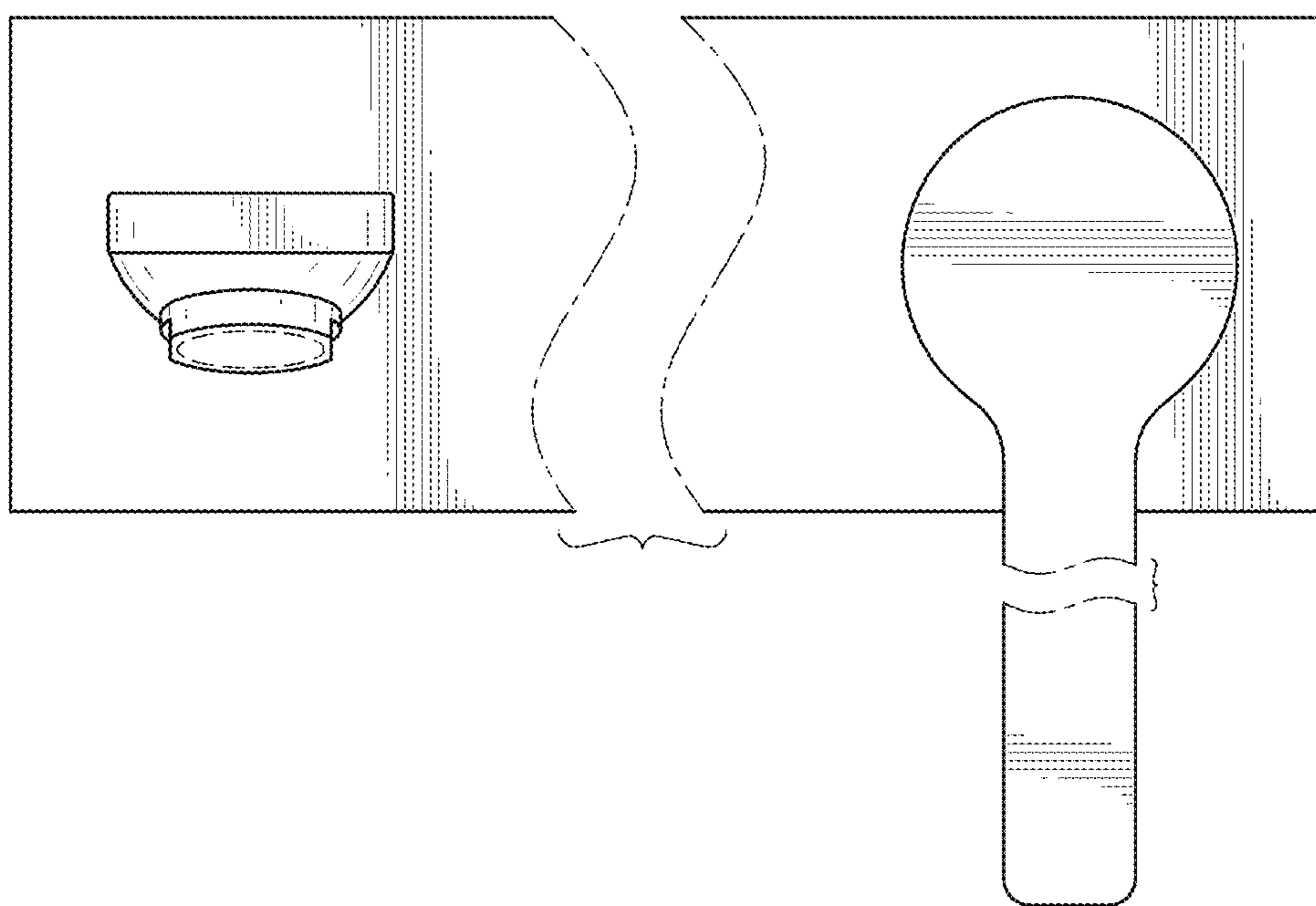


FIG.2

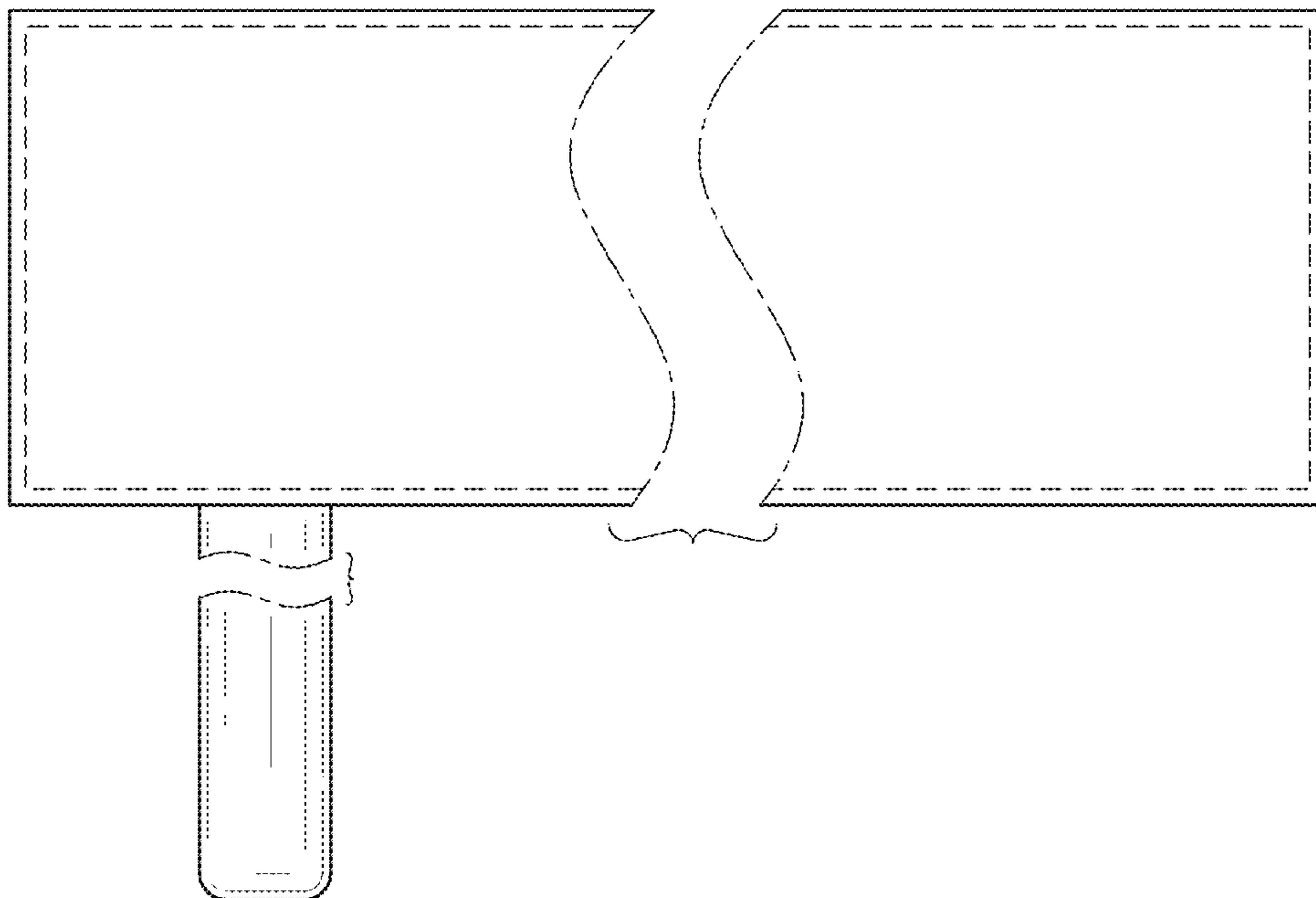


FIG.3

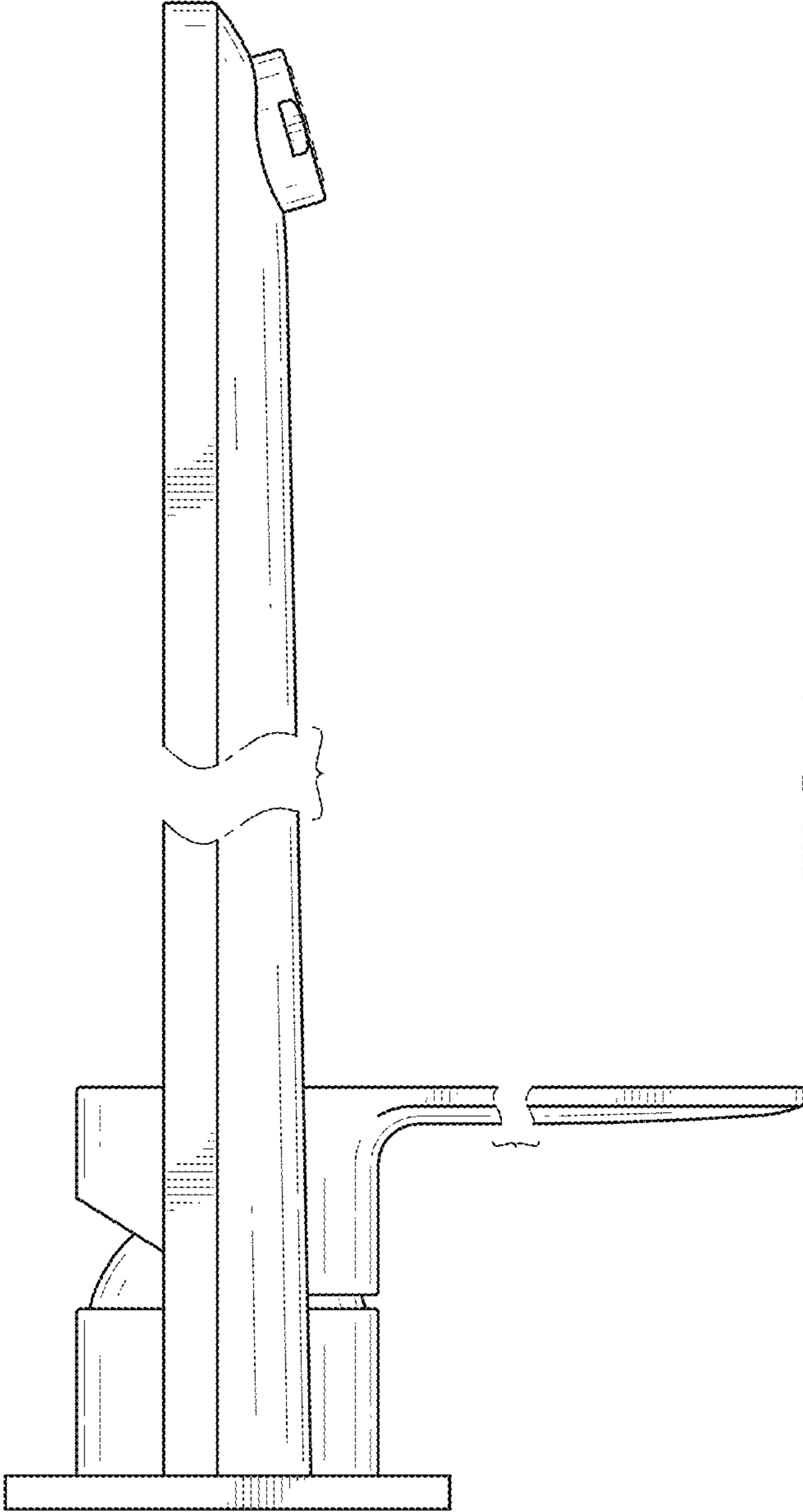


FIG.4

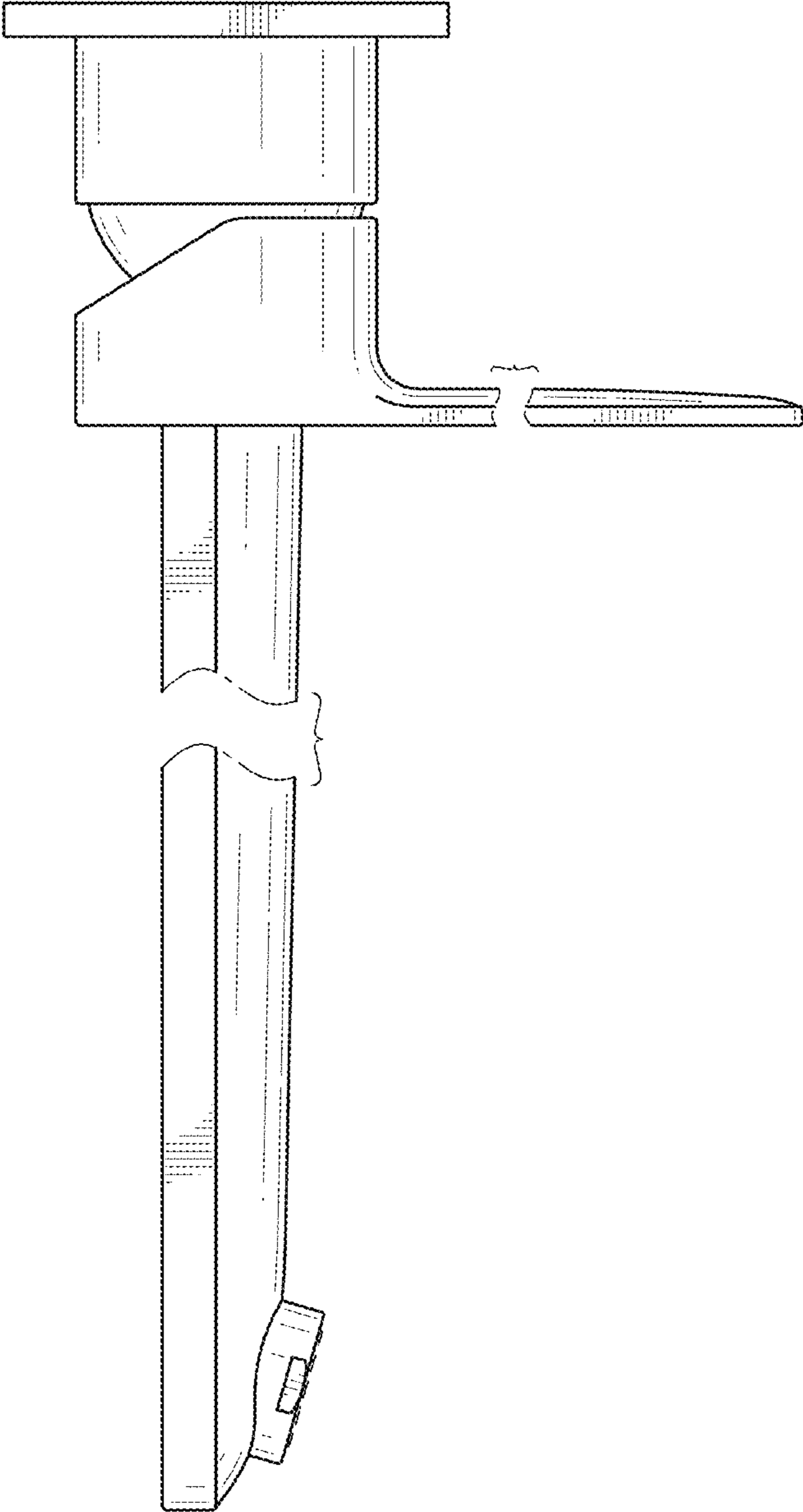


FIG.5

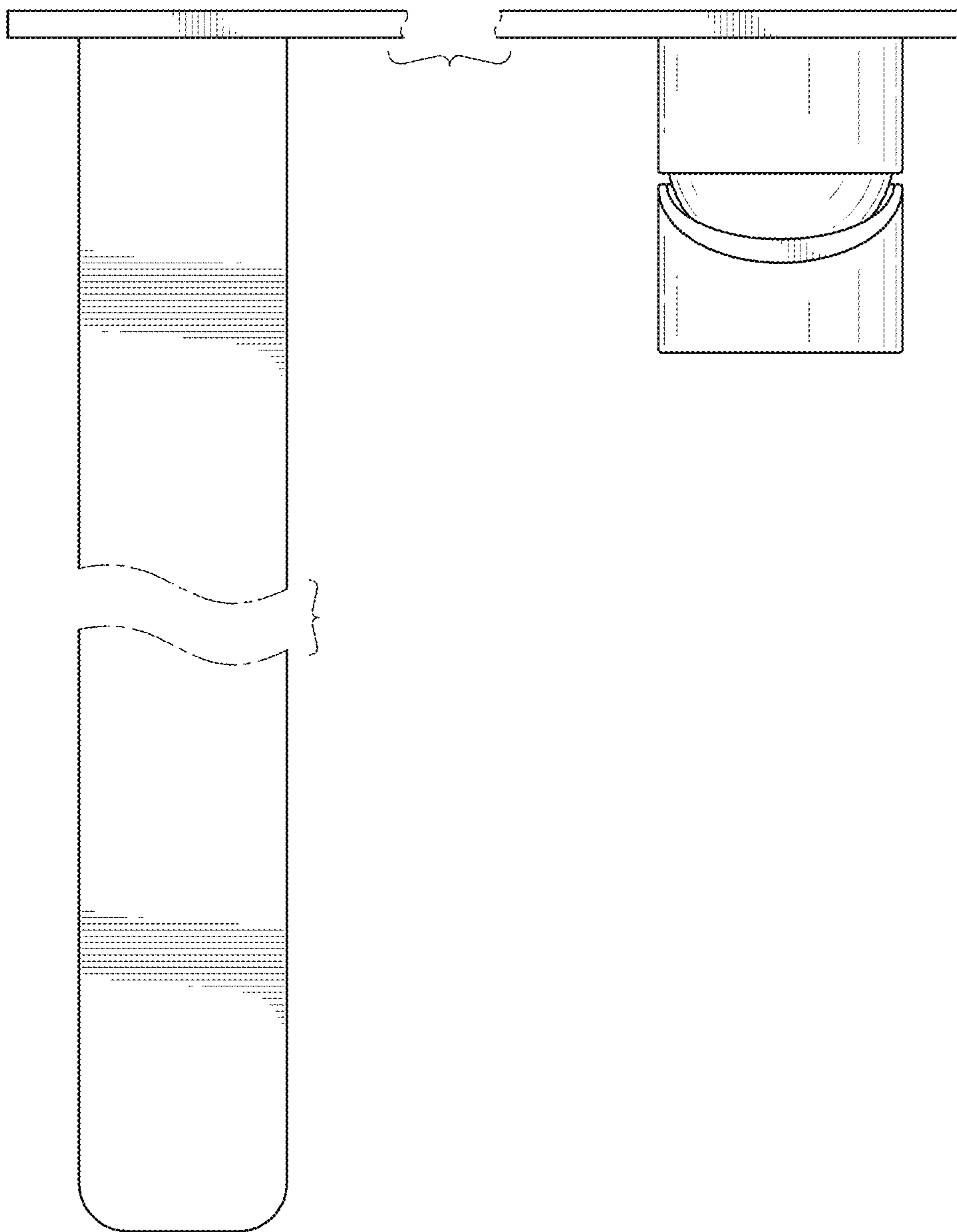


FIG.6

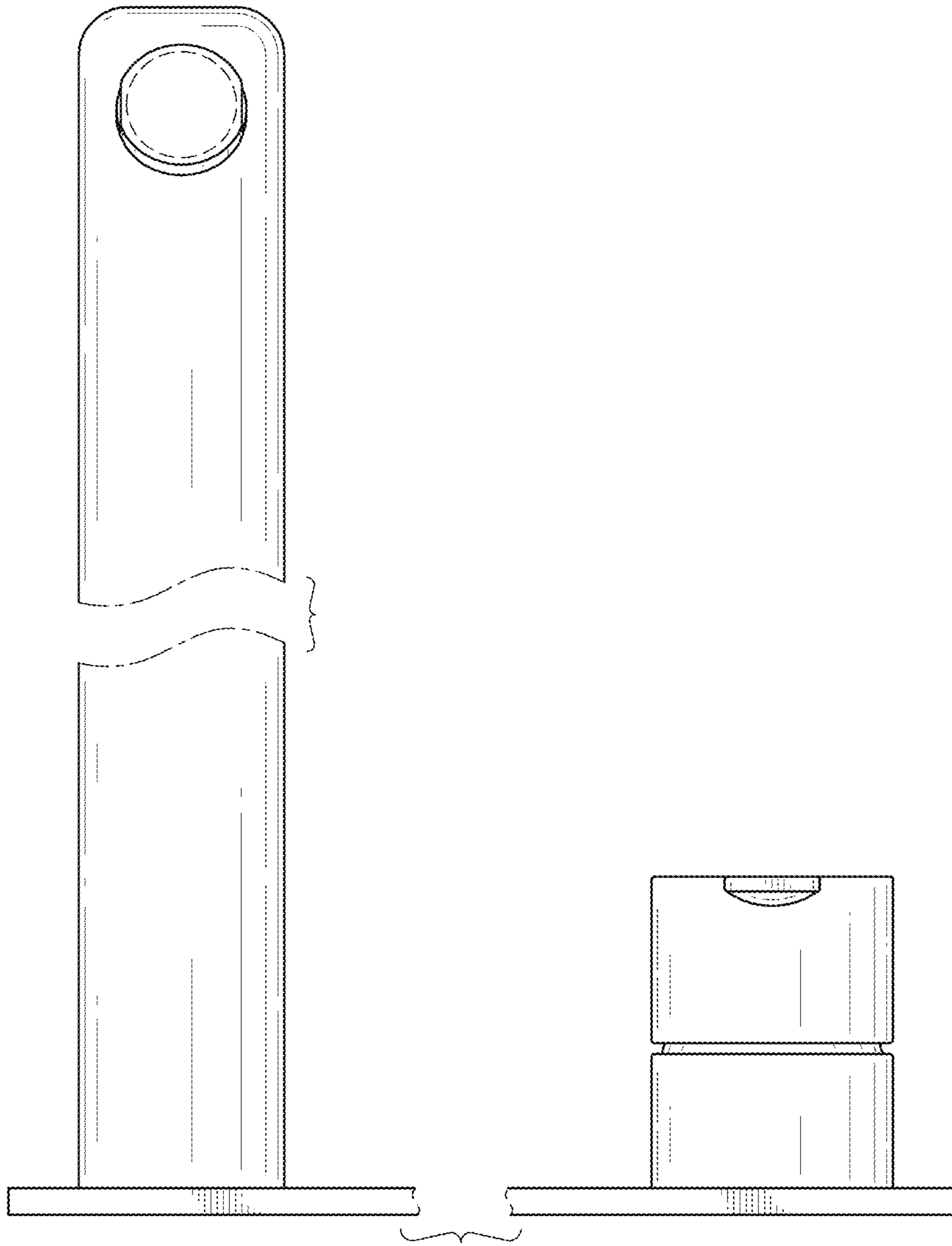


FIG.7