



US00D828514S

(12) **United States Design Patent** (10) **Patent No.:** **US D828,514 S**
Ryu (45) **Date of Patent:** **** Sep. 11, 2018**

(54) **WATER TAP**
(71) Applicant: **LG INNOTEK CO., LTD.**, Seoul (KR)
(72) Inventor: **Seung Hwan Ryu**, Seoul (KR)
(73) Assignee: **LG INNOTEK CO., LTD.**, Seoul (KR)
(**) Term: **15 Years**
(21) Appl. No.: **35/503,584**

D342,988 S * 1/1994 Jans D23/252
D357,060 S * 4/1995 Haug D23/252
D357,975 S * 5/1995 Wang D23/238
D393,052 S * 3/1998 Lobermeier D23/250
D444,852 S * 7/2001 Fleischmann D23/252
D532,086 S * 11/2006 Haug D23/252
D541,385 S * 4/2007 Haug D23/252
D737,941 S * 9/2015 Eads D23/255
D762,822 S * 8/2016 Flowers D23/252
D768,826 S * 10/2016 Flowers D23/252
D768,827 S * 10/2016 Flowers D23/252
D773,618 S * 12/2016 Lee D23/255

(22) Filed: **Feb. 20, 2017**

* cited by examiner

(80) **Hague Agreement Data**
Int. Filing Date: **Feb. 20, 2017**
Int. Reg. No.: **DM/094972**
Int. Reg. Date: **Feb. 20, 2017**
Int. Reg. Pub. Date: **Aug. 25, 2017**

Primary Examiner — Melanie Pellegrini
(74) *Attorney, Agent, or Firm* — Saliwanchik, Lloyd & Eisenschenk

(30) **Foreign Application Priority Data**
Aug. 23, 2016 (KR) 30-2016-0041153

(57) **CLAIM**

The ornamental design for a water tap, as shown and described.

(51) **LOC (11) Cl.** **23-01**
(52) **U.S. Cl.**
USPC **D23/238**

DESCRIPTION

(58) **Field of Classification Search**
USPC D23/238–243, 249–250, 252, 254, 255,
D23/257, 213; D8/307, 308, 310
CPC E03C 1/084; E03C 1/04; E03C 1/0401;
E03C 1/0402; E03C 1/0404; C02F 3/16;
Y10T 132/9464; F16K 31/602; F16K
31/605; F16K 31/607; F16K 31/60
See application file for complete search history.

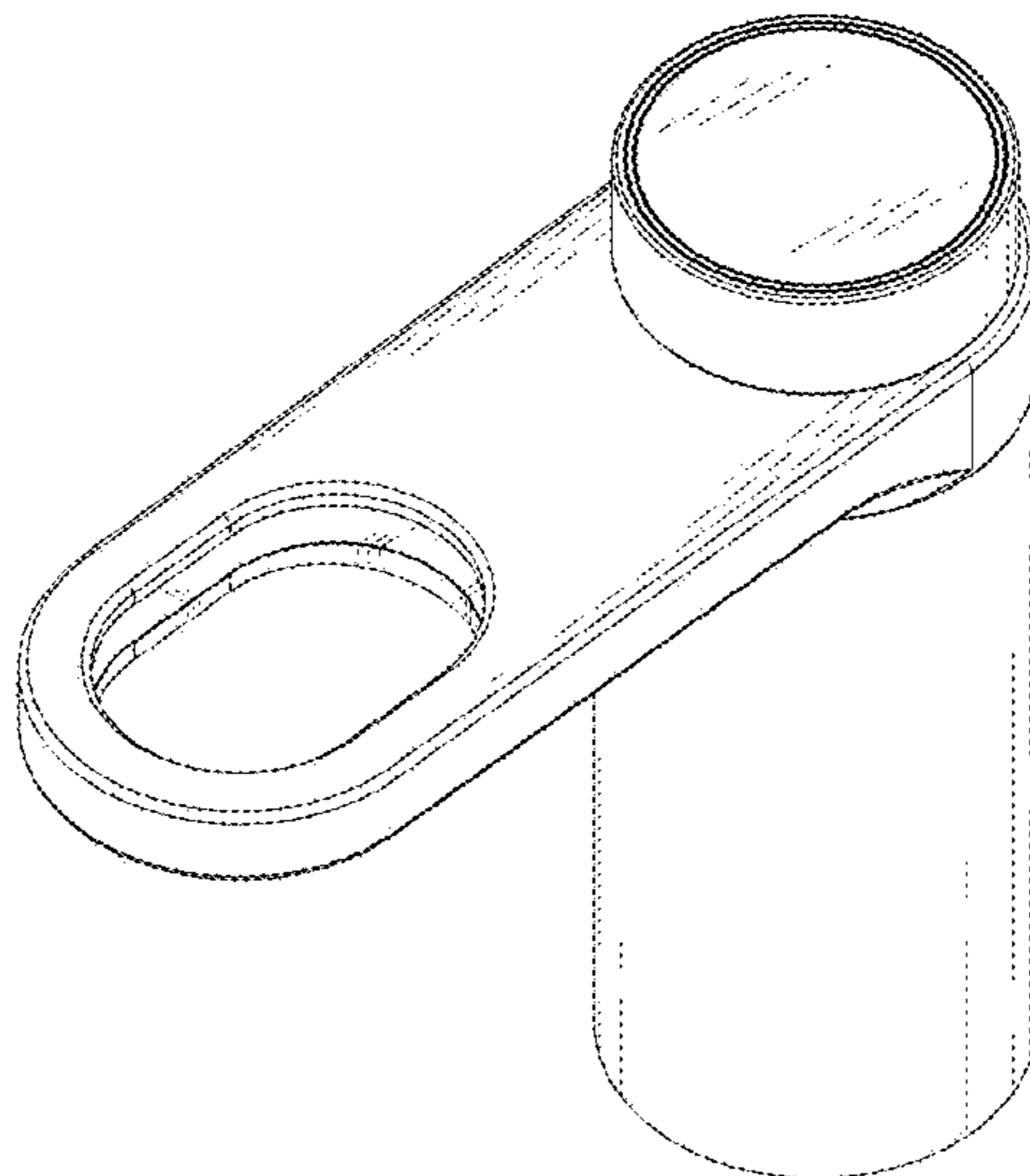
- 1. Water tap
- 1.1 : Perspective
- 1.2 : Front
- 1.3 : Back
- 1.4 : Left
- 1.5 : Right
- 1.6 : Top
- 1.7 : Bottom
- 1.8 : Perspective

The broken lines shown in Fig. 1.8 illustrate environment and forms no part of the claimed design.

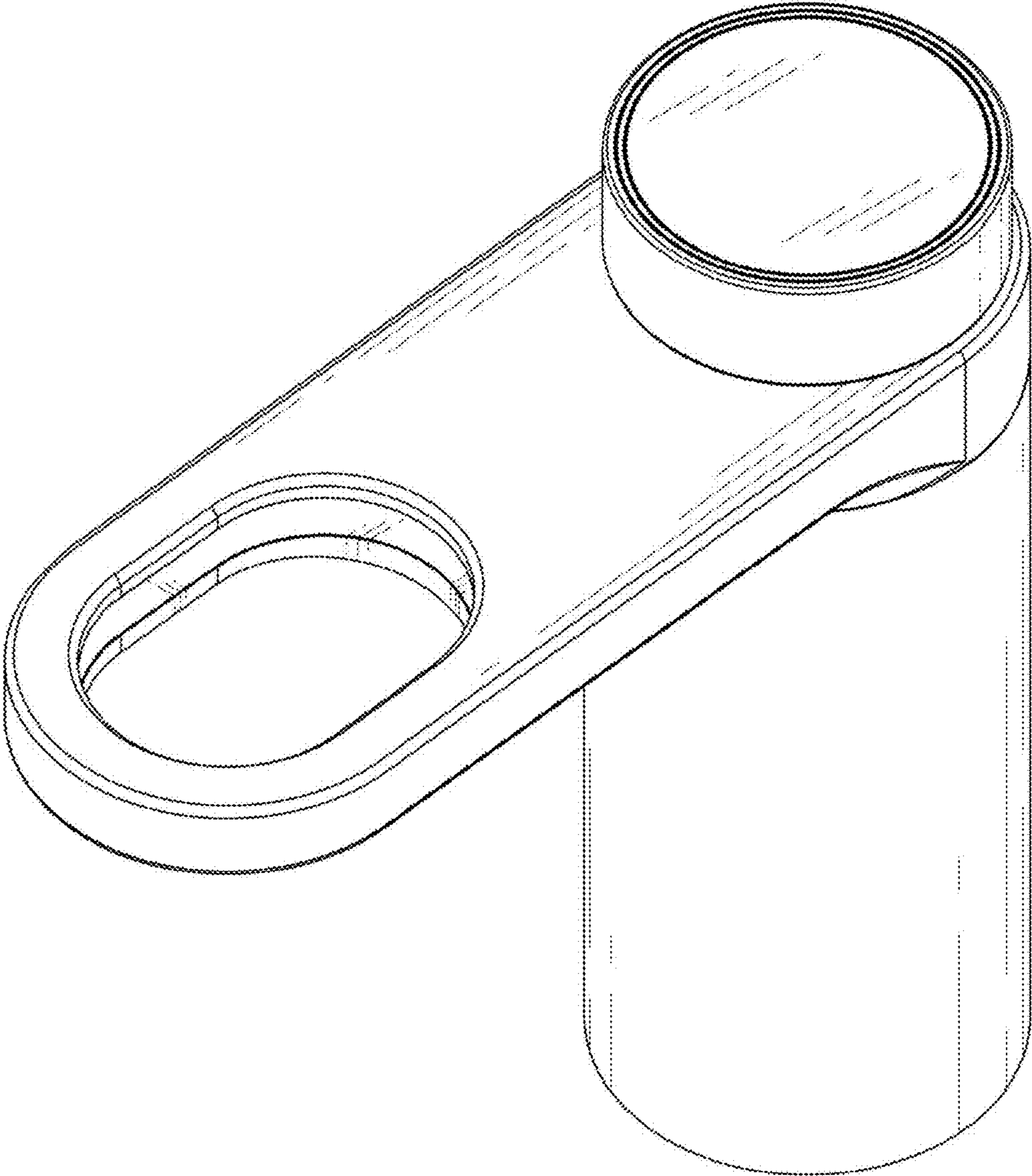
(56) **References Cited**
U.S. PATENT DOCUMENTS

D331,450 S * 12/1992 Haug D23/252
D339,849 S * 9/1993 Jans D23/252

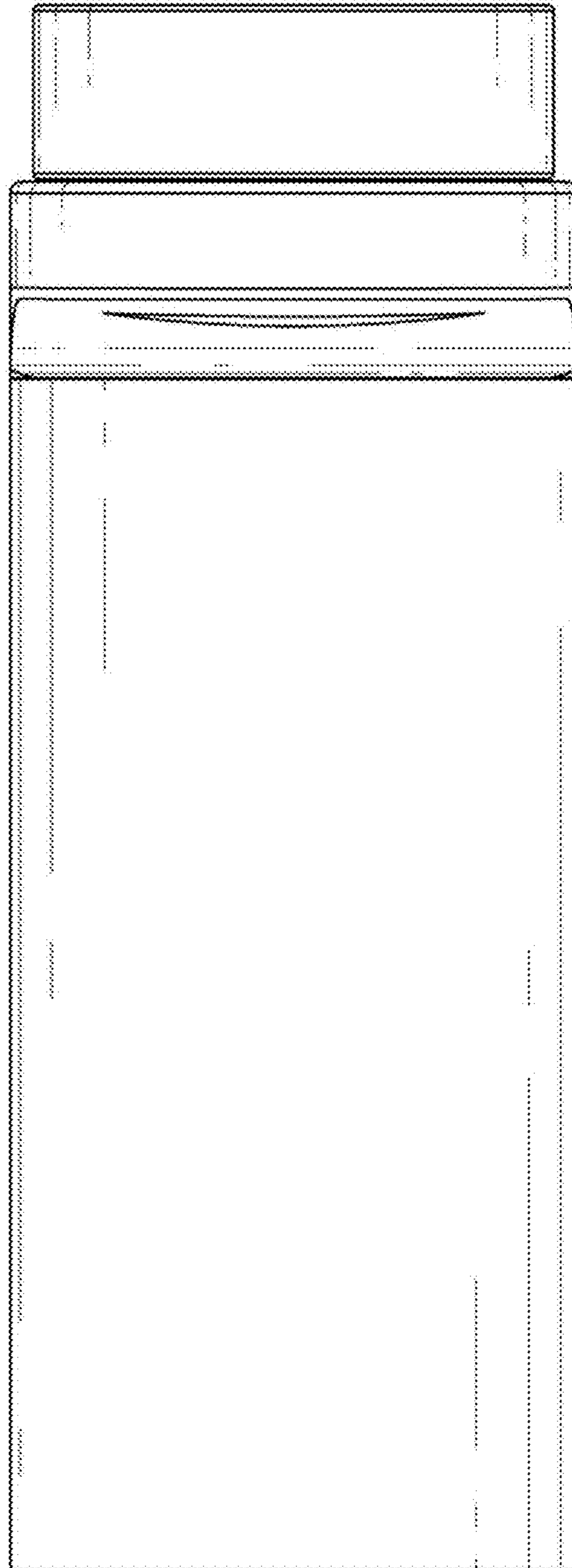
1 Claim, 8 Drawing Sheets



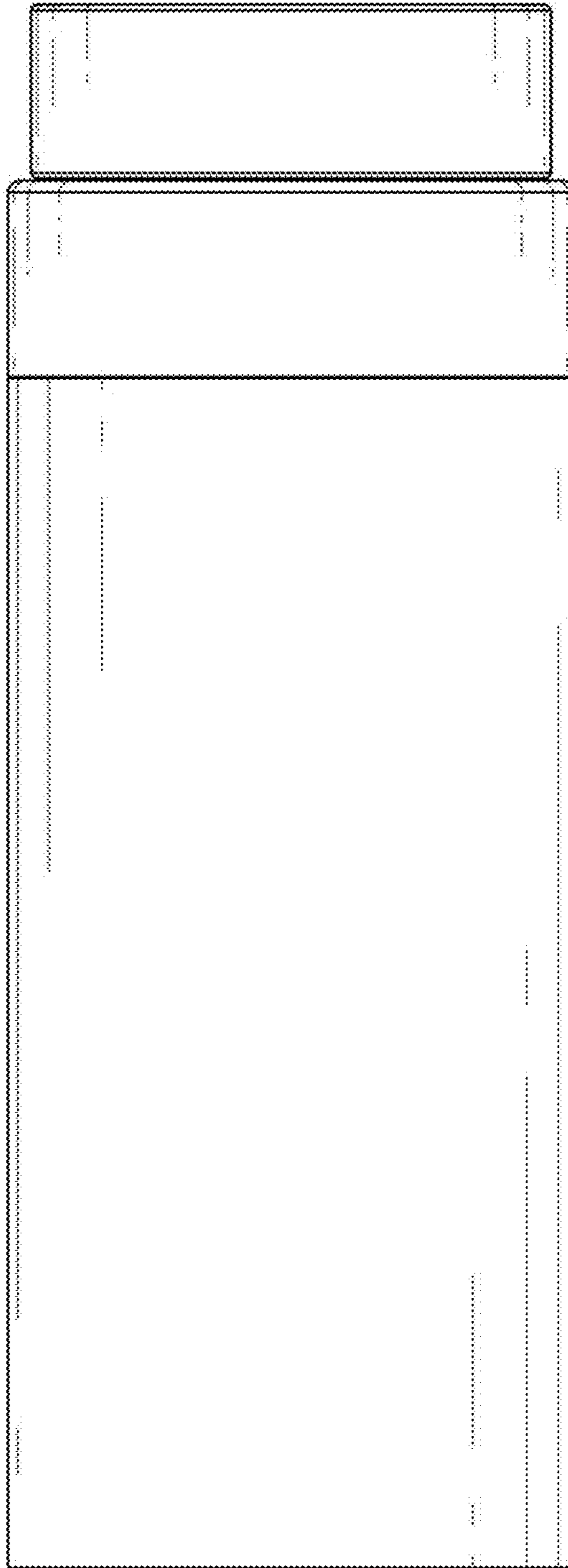
1.1



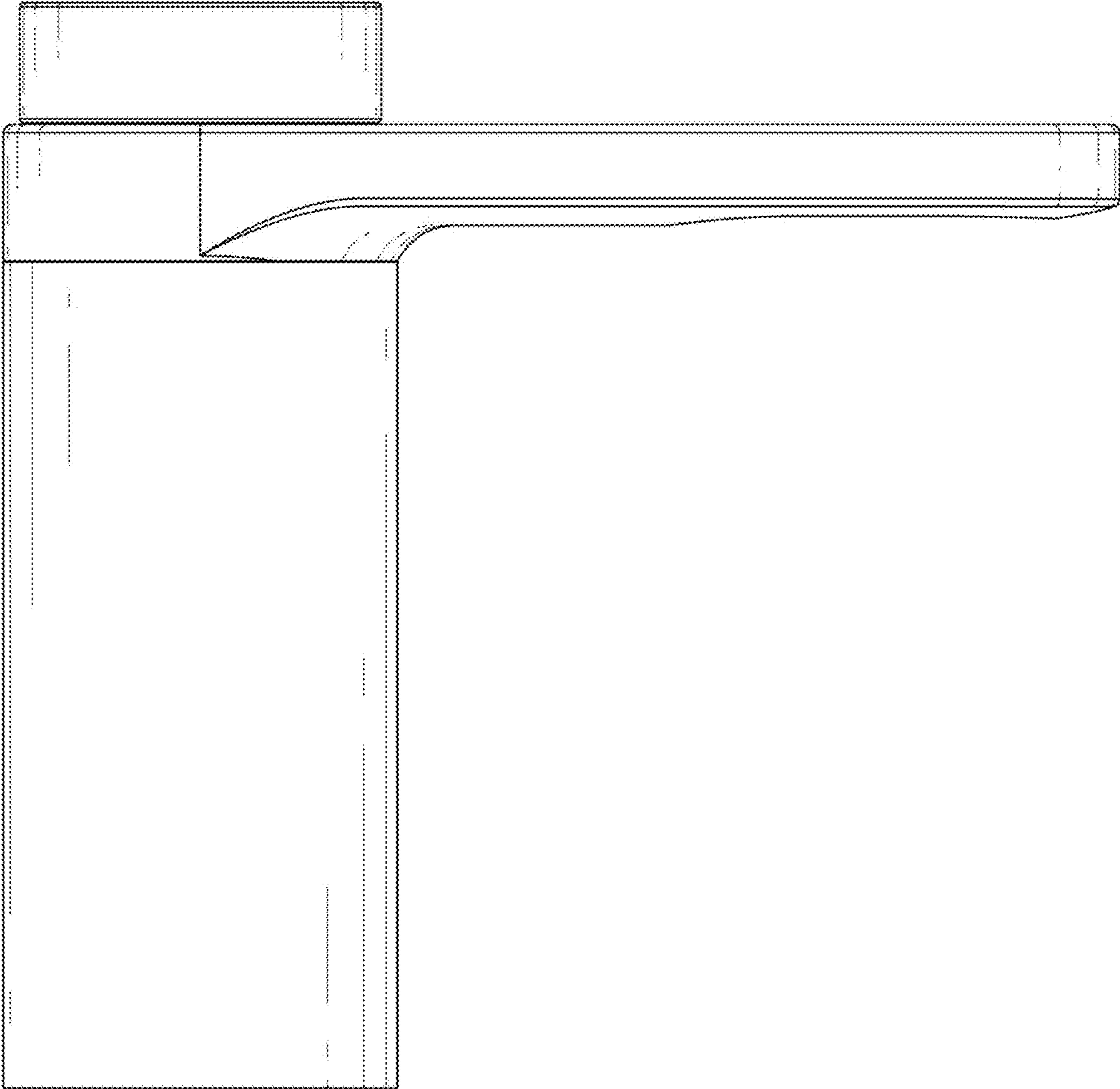
1.2



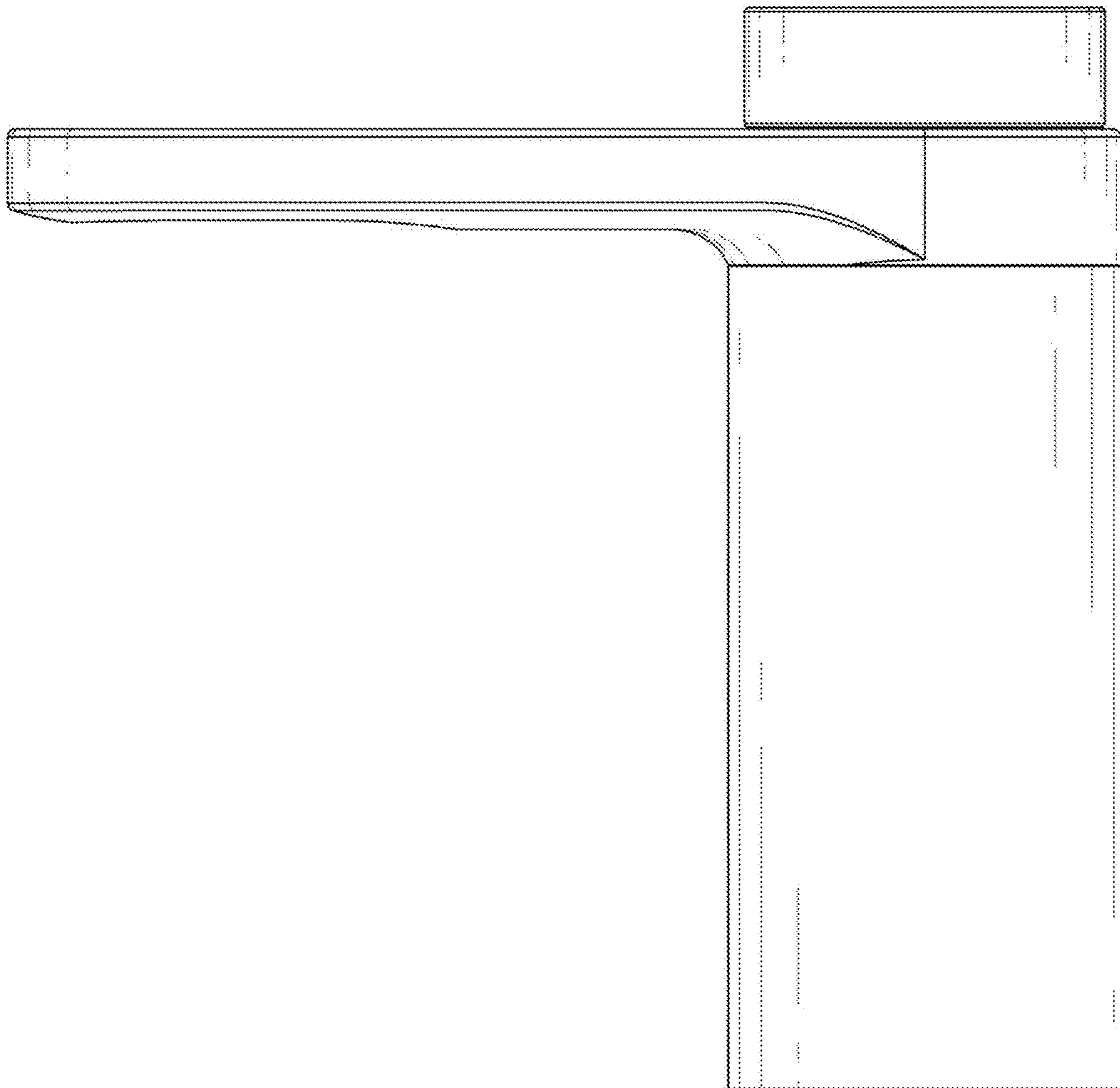
1.3



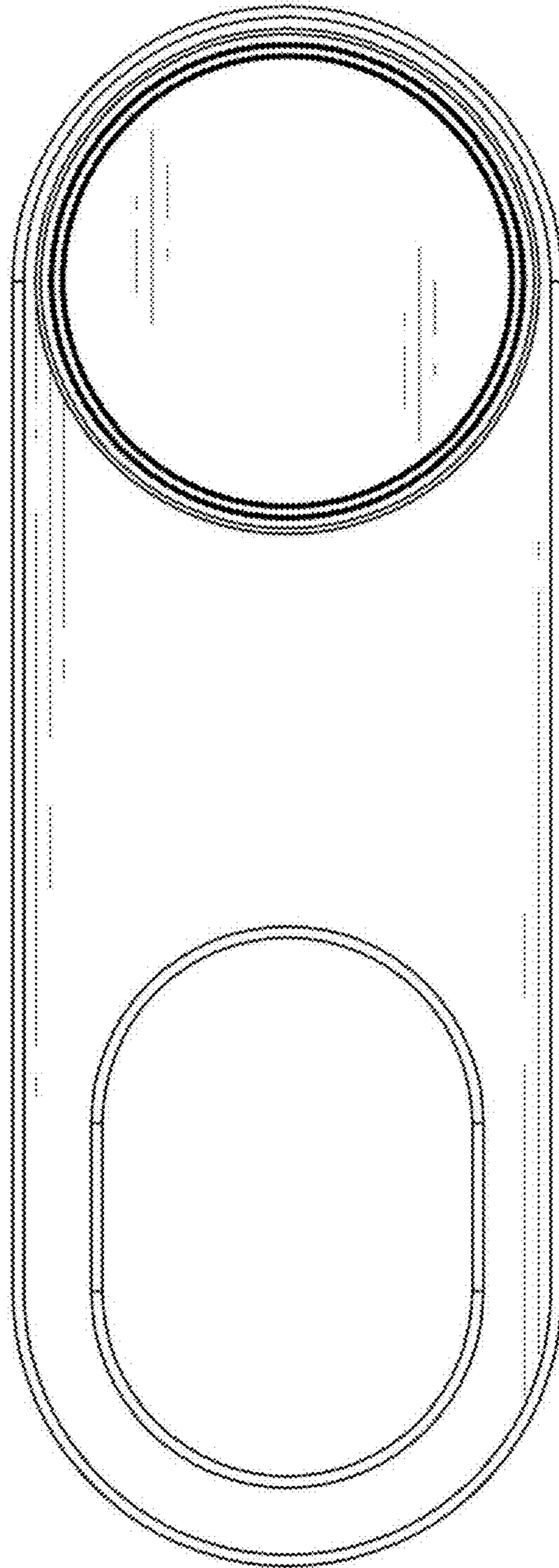
1.4



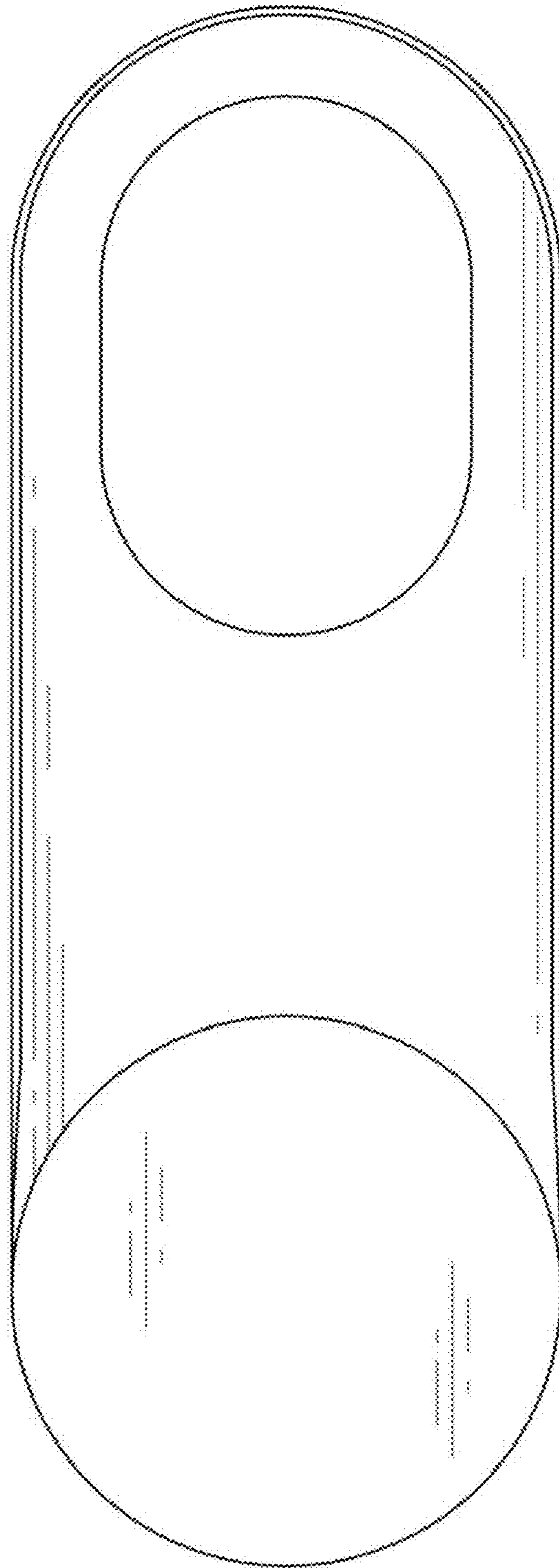
1.5



1.6



1.7



1.8

