



US00D828512S

(12) **United States Design Patent** (10) **Patent No.:** **US D828,512 S**
Liu et al. (45) **Date of Patent:** **** Sep. 11, 2018**

(54) **BASIN MIXER**
(71) Applicant: **Phoenix Industries Pty Ltd,**
Bayswater, Victoria (AU)
(72) Inventors: **Ban Hsi Liu,** Bayswater (AU); **Stephen**
Frank Pedulla, Bayswater (AU);
Andrew John Cocks, Bayswater (AU)
(73) Assignee: **Phoenix Industries Pty Ltd.,**
Bayswater (AU)
(**) Term: **15 Years**
(21) Appl. No.: **29/605,555**
(22) Filed: **May 26, 2017**
(30) **Foreign Application Priority Data**

AU	308201	7/2006
AU	308202	7/2006
AU	314560	6/2007
AU	314563	6/2007
AU	321286	10/2008
AU	328364	11/2009
AU	328365	11/2009
AU	334096	12/2010
AU	336356	5/2011
AU	336357	5/2011
AU	337781	7/2011
AU	337782	7/2011
AU	344493	9/2012
AU	344494	9/2012
AU	350490	8/2013
AU	355991	6/2014
AU	355992	6/2014
AU	355993	6/2014
AU	355994	6/2014
AU	357542	9/2014
AU	357840	9/2014
AU	357842	9/2014
AU	357843	9/2014

Dec. 1, 2016 (AU) 201616714

(51) **LOC (11) Cl.** **23-01**
(52) **U.S. Cl.**
USPC **D23/238**
(58) **Field of Classification Search**
USPC D23/238-242, 249-250, 252, 254, 255,
D23/257; D8/350, 353
CPC Y10T 137/9464
See application file for complete search history.

* cited by examiner

Primary Examiner — Robert A Delehanty
(74) *Attorney, Agent, or Firm* — Womble Bond Dickinson
(US) LLP

(57) **CLAIM**

The ornamental design for a basin mixer, as shown and described.

(56) **References Cited**

U.S. PATENT DOCUMENTS

D618,765 S	*	6/2010	Wang	D23/238
D757,223 S	*	5/2016	Schoenherr	D23/238
D799,642 S	*	10/2017	Sieger	D23/238

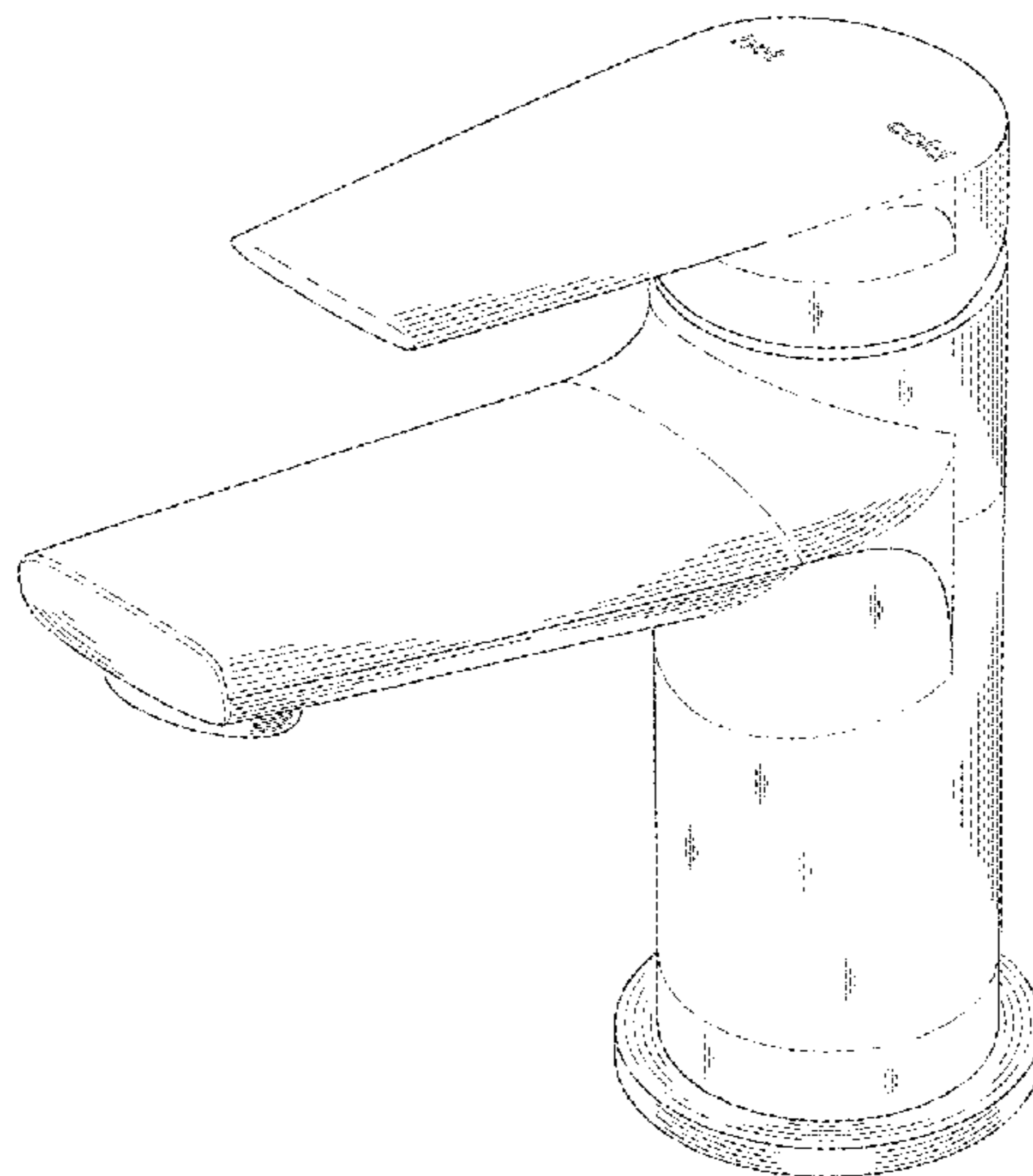
FOREIGN PATENT DOCUMENTS

AU	308198	7/2006
AU	308199	7/2006

DESCRIPTION

FIG. 1 is a front perspective view of our design;
FIG. 2 is a right side view thereof;
FIG. 3 is a top view thereof;
FIG. 4 is a rear view thereof;
FIG. 5 is a left side view thereof; and,
FIG. 6 is a front view thereof.

1 Claim, 2 Drawing Sheets



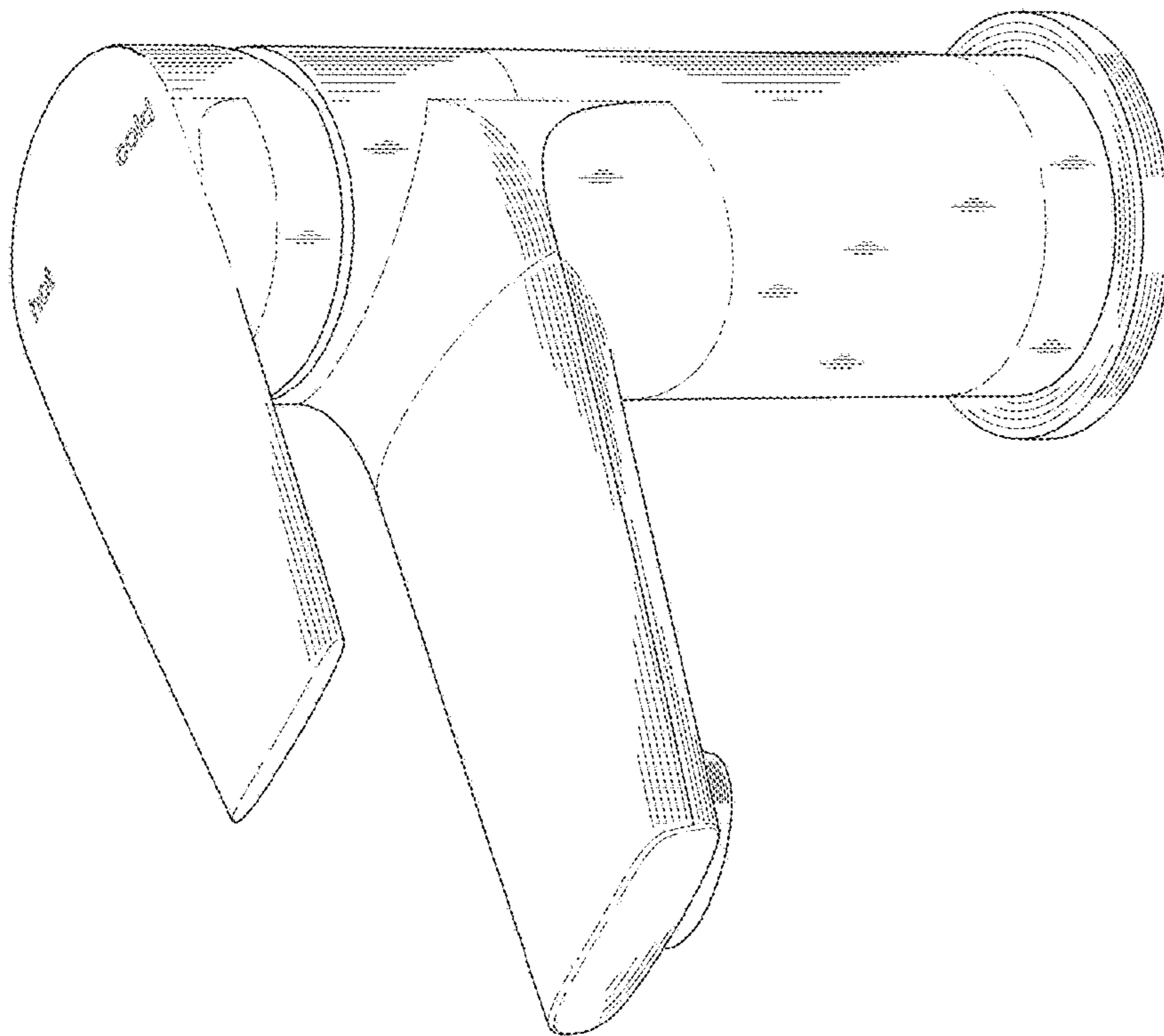


Figure 1

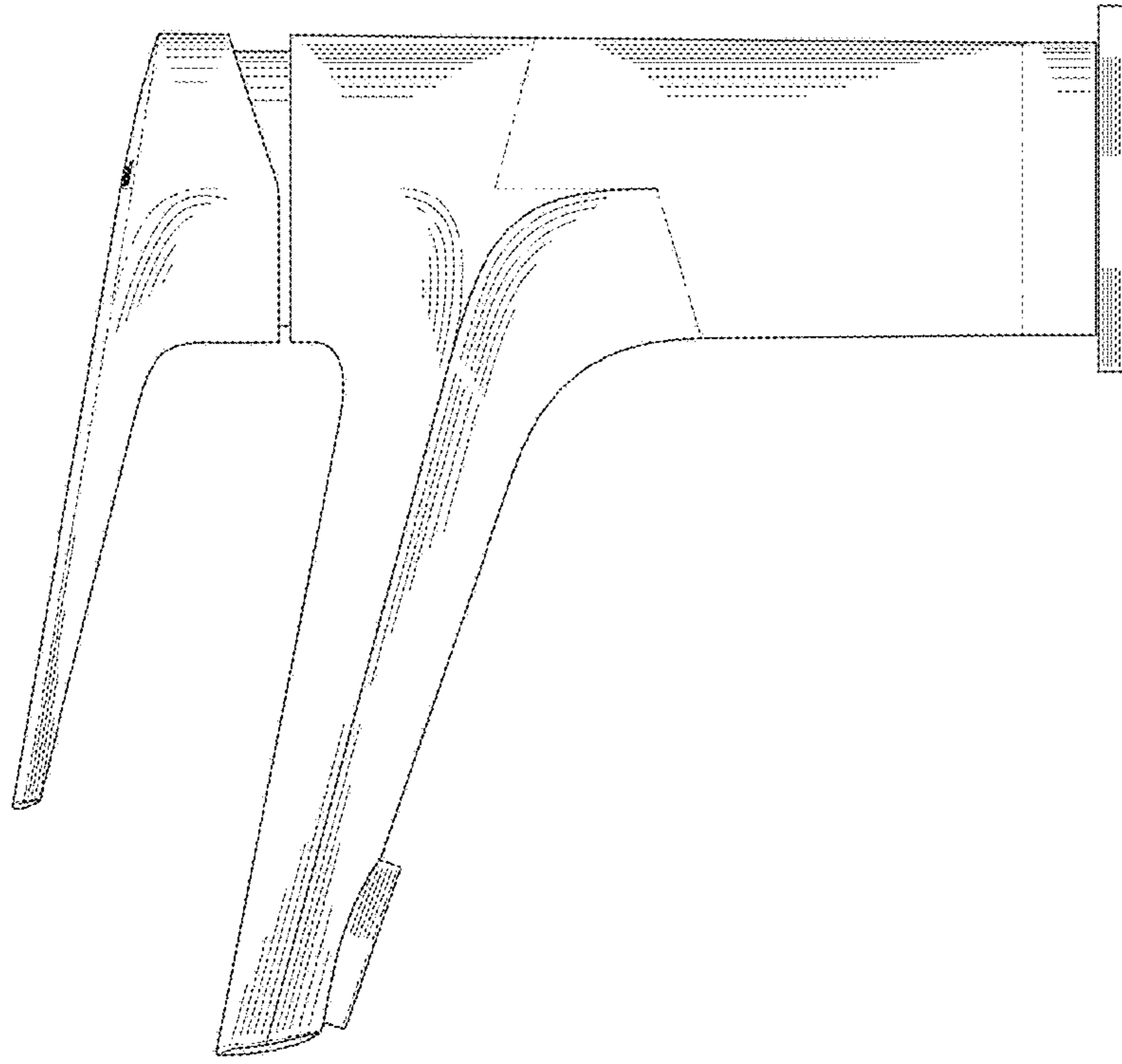


Figure 2

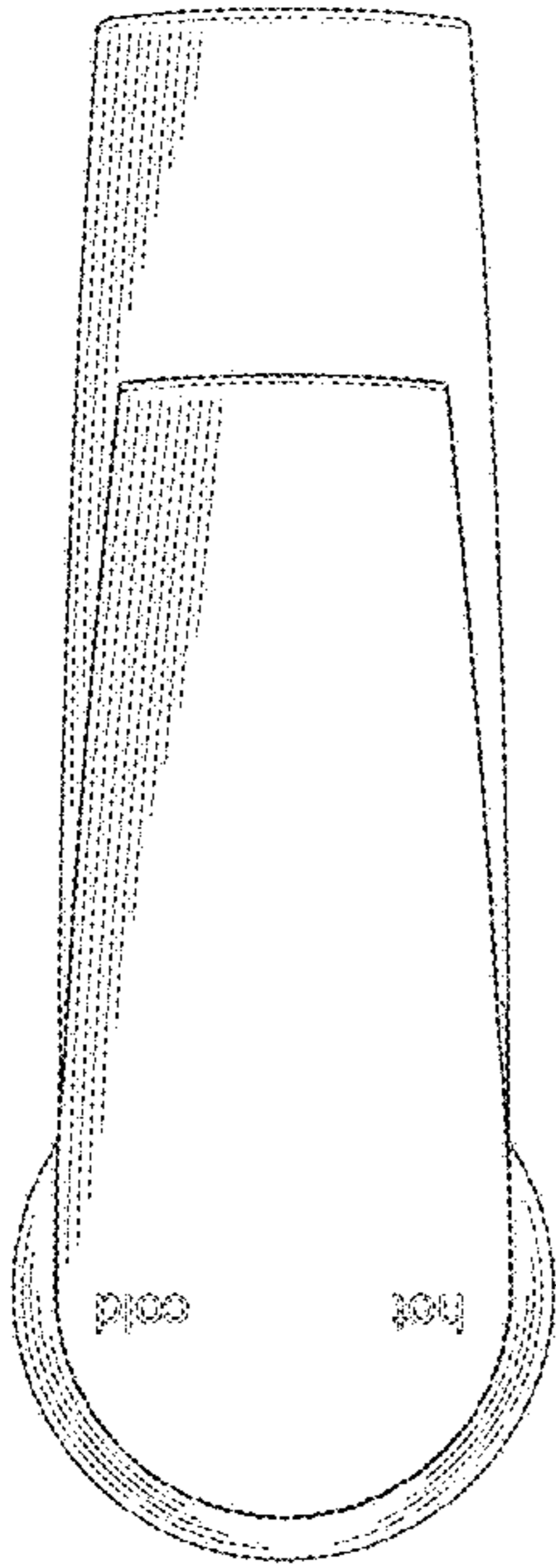


Figure 3

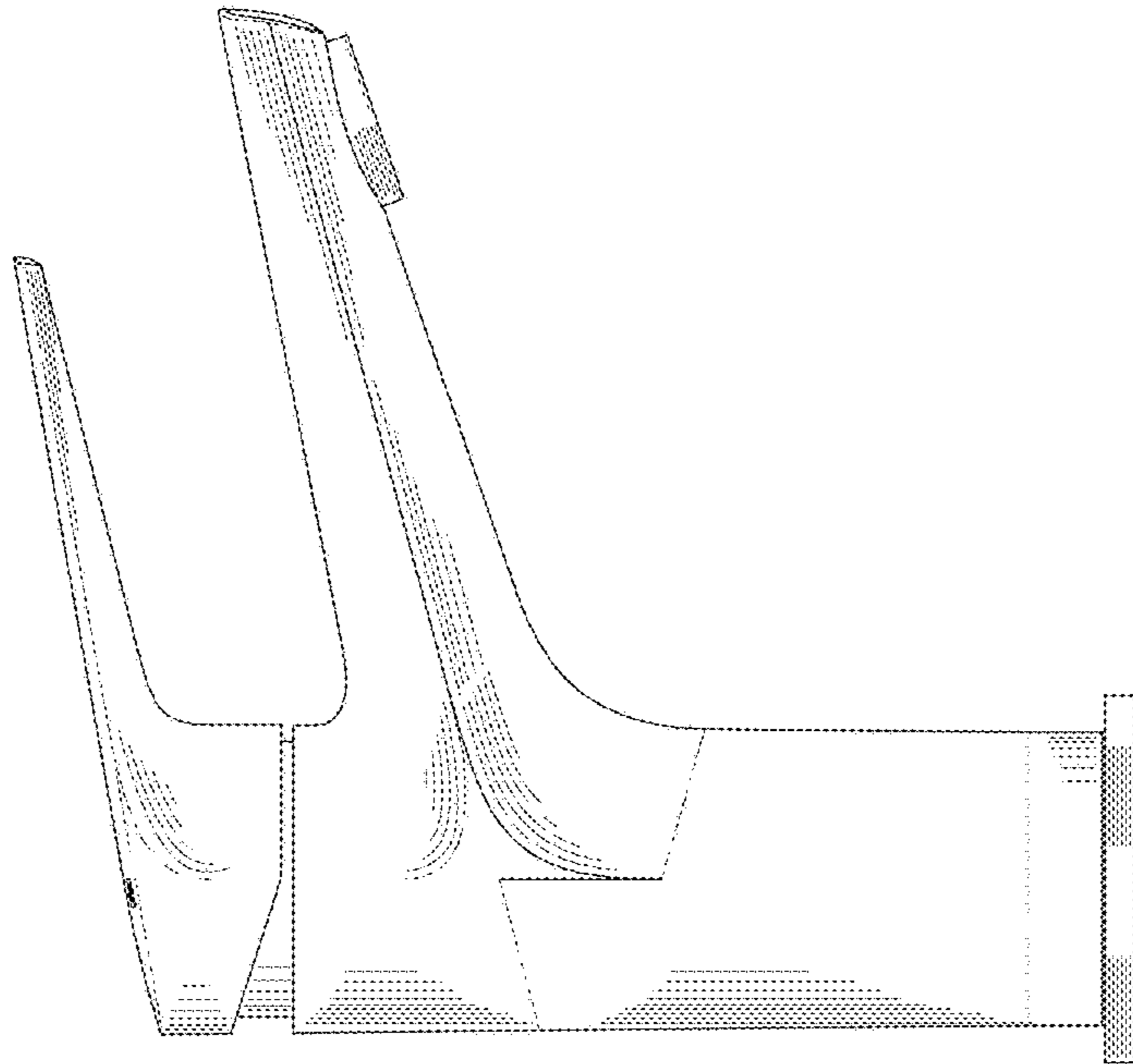


Figure 5

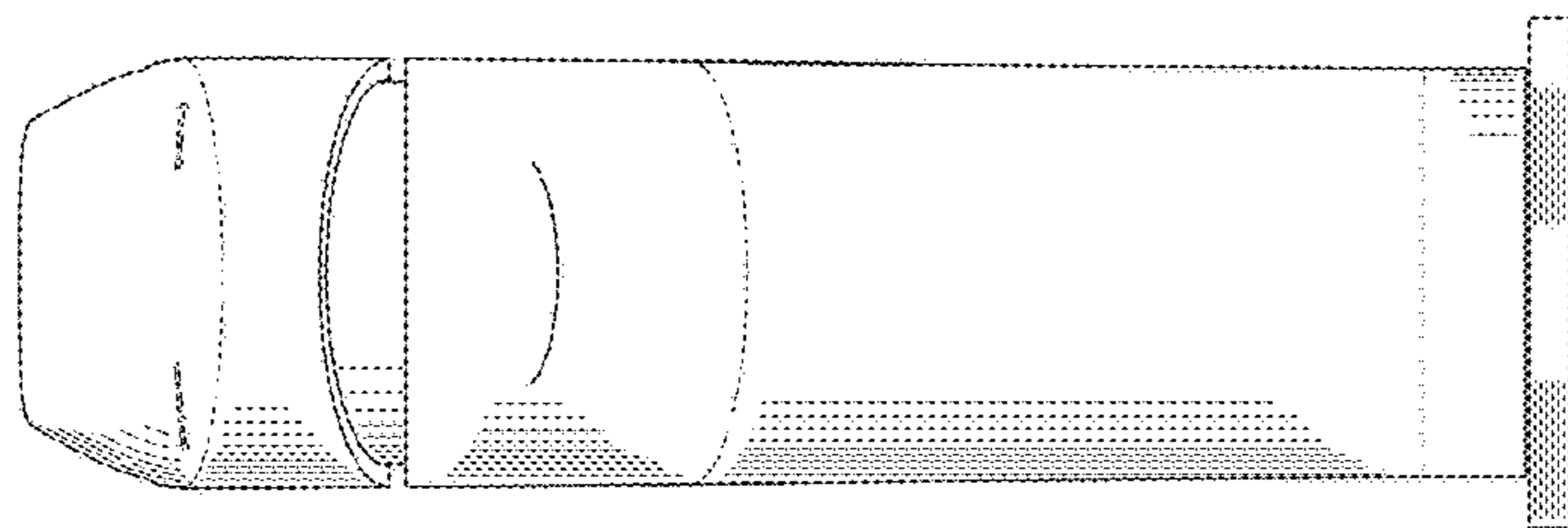


Figure 4

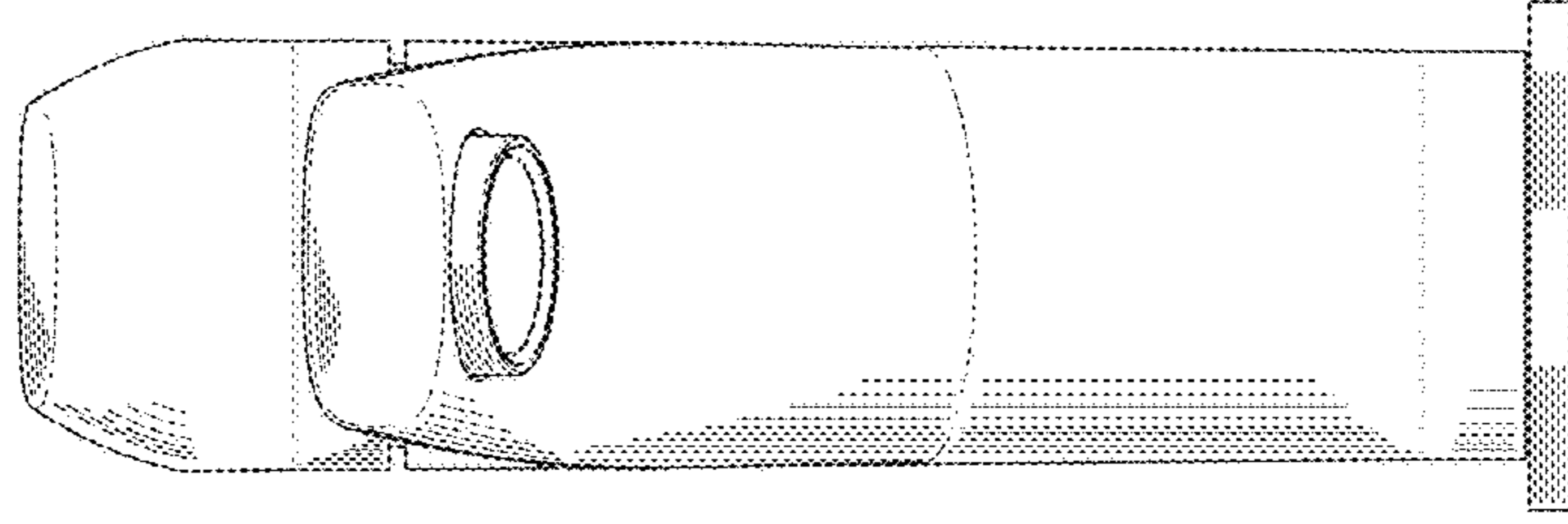


Figure 6