



US00D828509S

(12) **United States Design Patent**  
**Seum et al.**

(10) **Patent No.:** **US D828,509 S**

(45) **Date of Patent:** **\*\* Sep. 11, 2018**

(54) **BASIN MIXER**

D613,374 S \* 4/2010 Lammel ..... D23/238  
D799,642 S \* 10/2017 Sieger ..... D23/238

(71) Applicant: **Grohe AG**, Hemer (DE)

\* cited by examiner

(72) Inventors: **Michael Seum**, Duesseldorf (DE);  
**Mirko Goetzen**, Duesseldorf (DE)

*Primary Examiner* — Robert A Delehanty

(73) Assignee: **Grohe AG**, Hemer (DE)

(74) *Attorney, Agent, or Firm* — Muncy, Geissler, Olds & Lowe, P.C.

(\*\*) Term: **15 Years**

(57) **CLAIM**

(21) Appl. No.: **29/603,695**

The ornamental design for a basin mixer, as shown and described.

(22) Filed: **May 11, 2017**

(30) **Foreign Application Priority Data**

**DESCRIPTION**

Nov. 11, 2016 (EM) ..... 003459254-0002

(51) **LOC (11) Cl.** ..... **23-01**

(52) **U.S. Cl.**  
USPC ..... **D23/238**

(58) **Field of Classification Search**  
USPC ..... D23/238–242, 249, 250, 252, 254–255,  
D23/257; D8/350, 353

CPC ..... Y10T 137/9464  
See application file for complete search history.

FIG. 1 is a front perspective view of a basin mixer according to the present invention.

FIG. 2 is a front view of the basin mixer of FIG. 1.

FIG. 3 is a rear view of the basin mixer of FIG. 1.

FIG. 4 is a left side view of the basin mixer of FIG. 1.

FIG. 5 is a right side view of the basin mixer of FIG. 1.

FIG. 6 is a top view of the basin mixer of FIG. 1; and,

FIG. 7 is a bottom view of the basin mixer of FIG. 1.

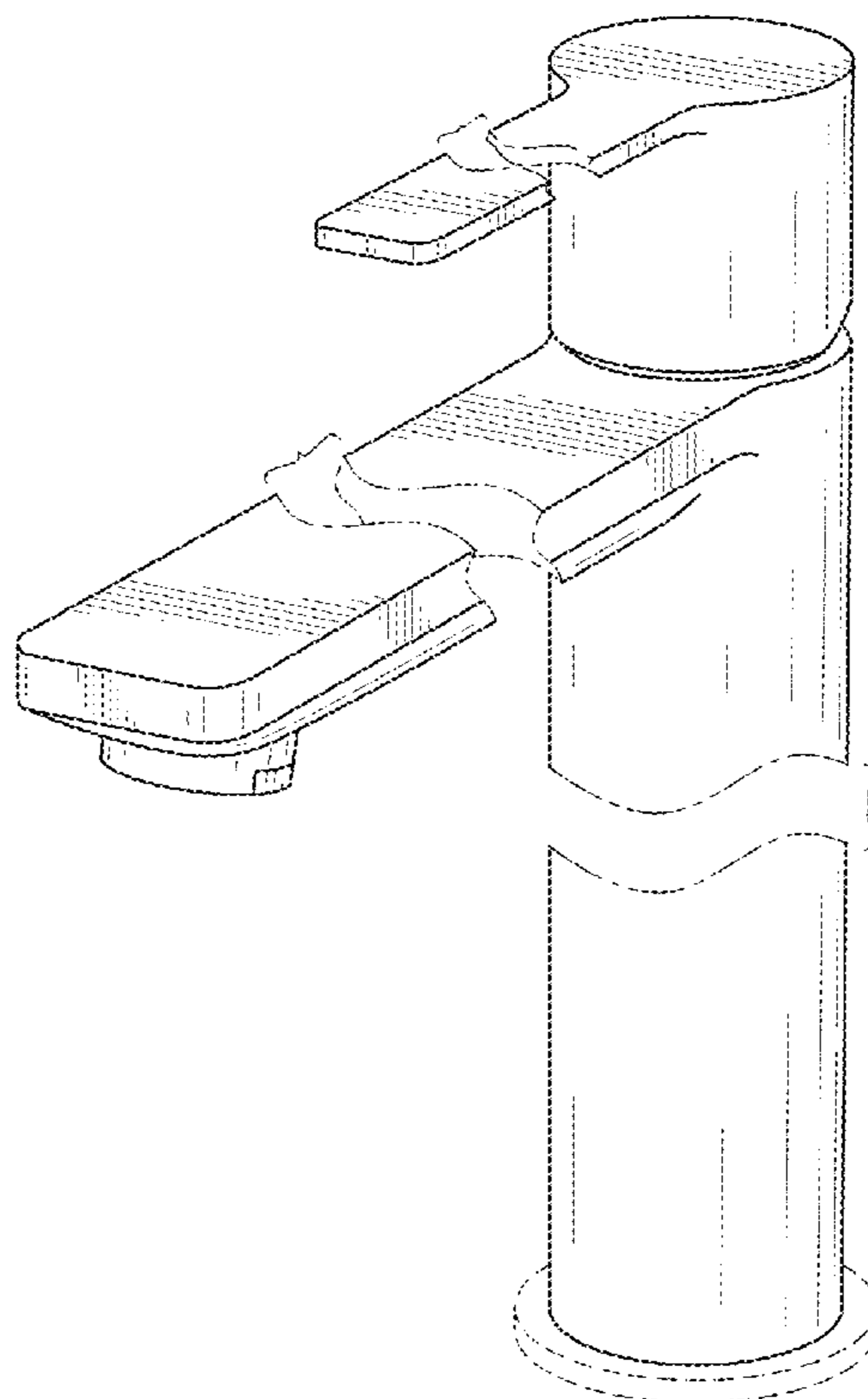
The dashed lines illustrate portions of the basin mixer that form no part thereof. The dash-dot lines indicate a symbolic break in the basin mixer. The appearance of any portion of the basin mixer between the break lines forms no part of the claimed design.

(56) **References Cited**

**U.S. PATENT DOCUMENTS**

D534,619 S \* 1/2007 Garner ..... D23/238

**1 Claim, 7 Drawing Sheets**



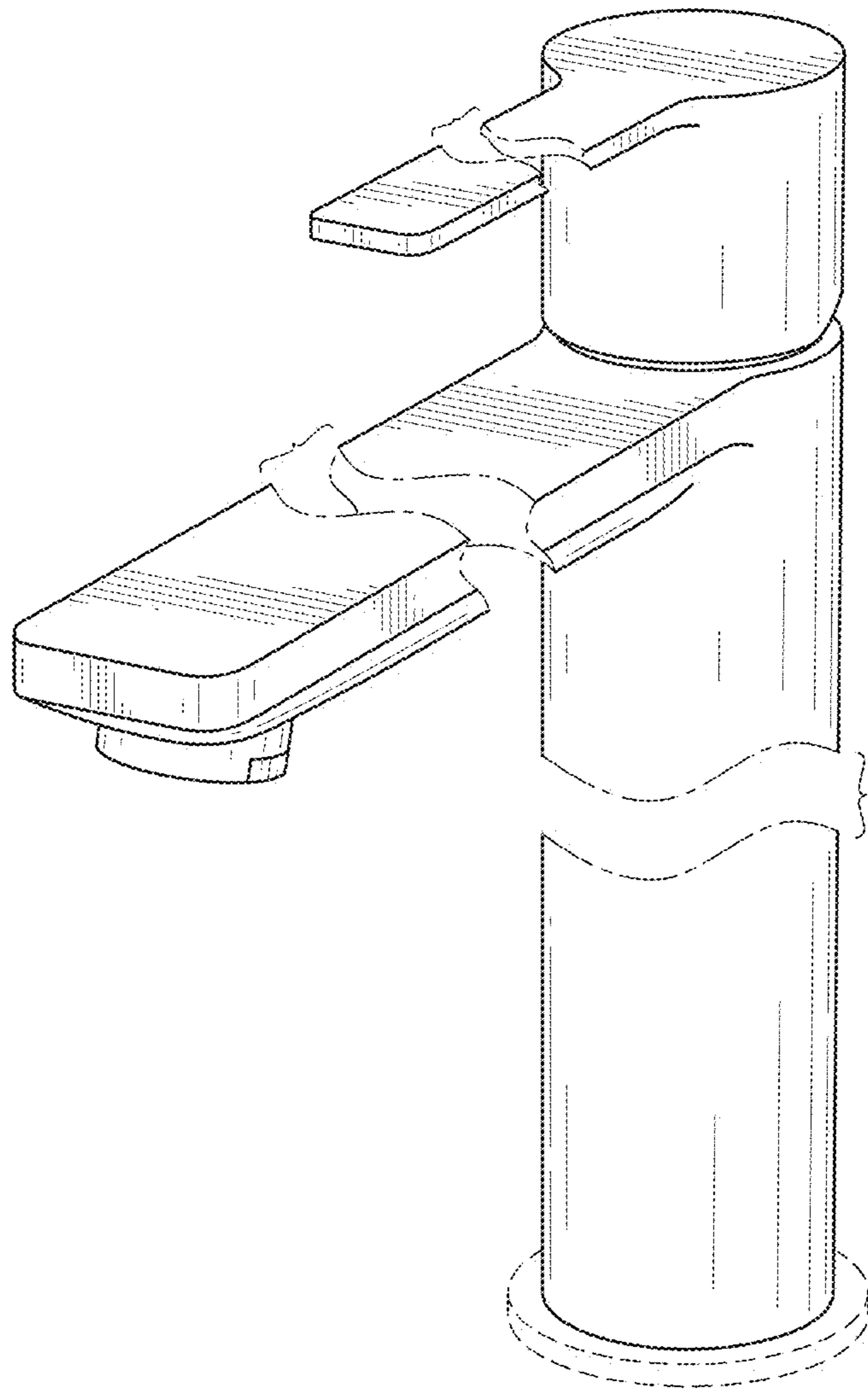


FIG.1

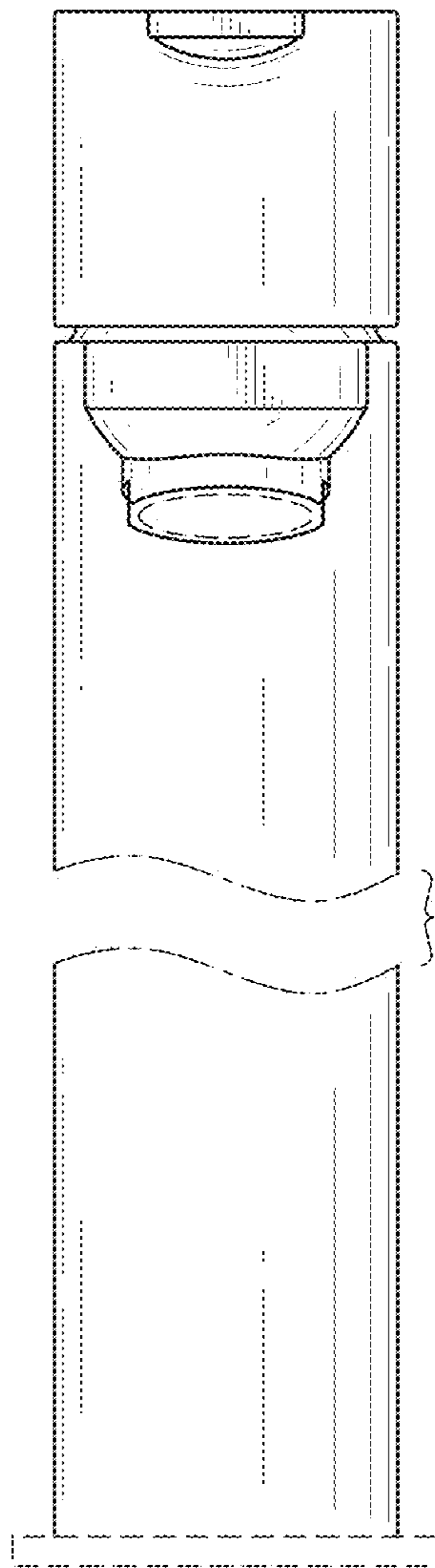


FIG.2

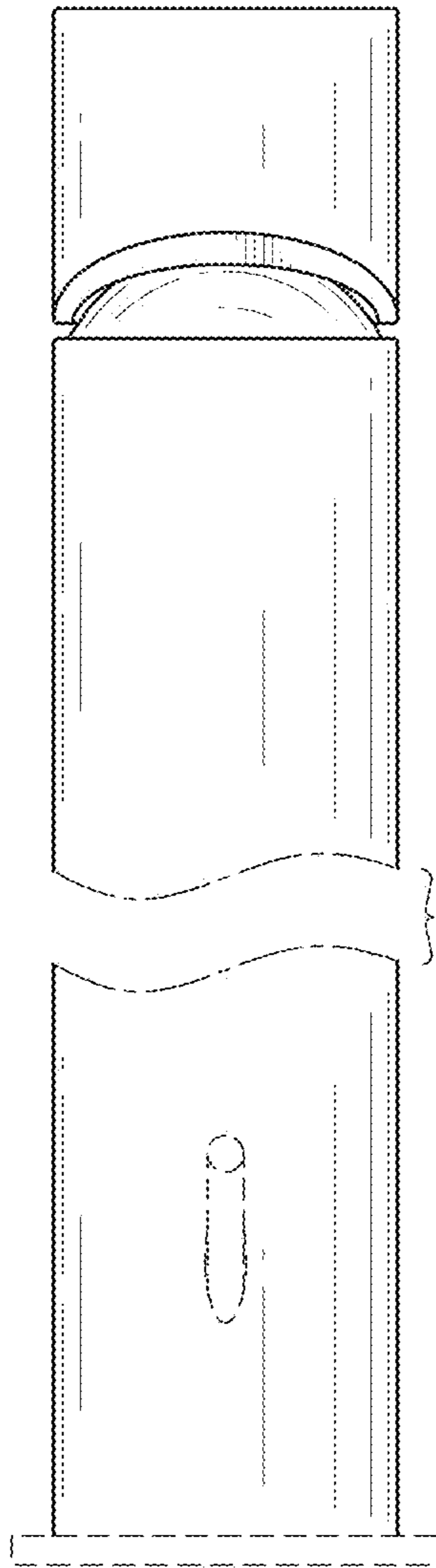


FIG.3

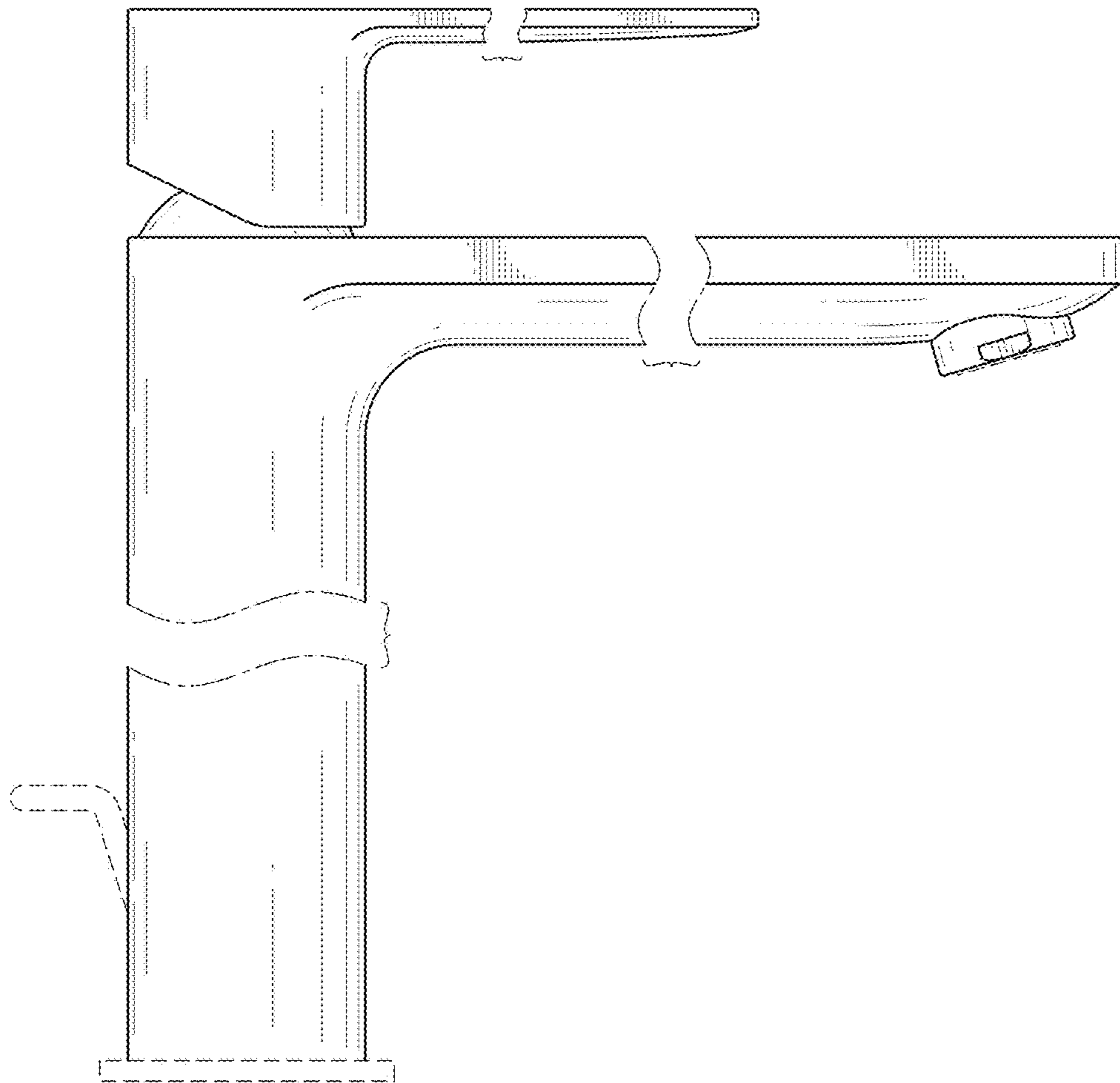


FIG.4

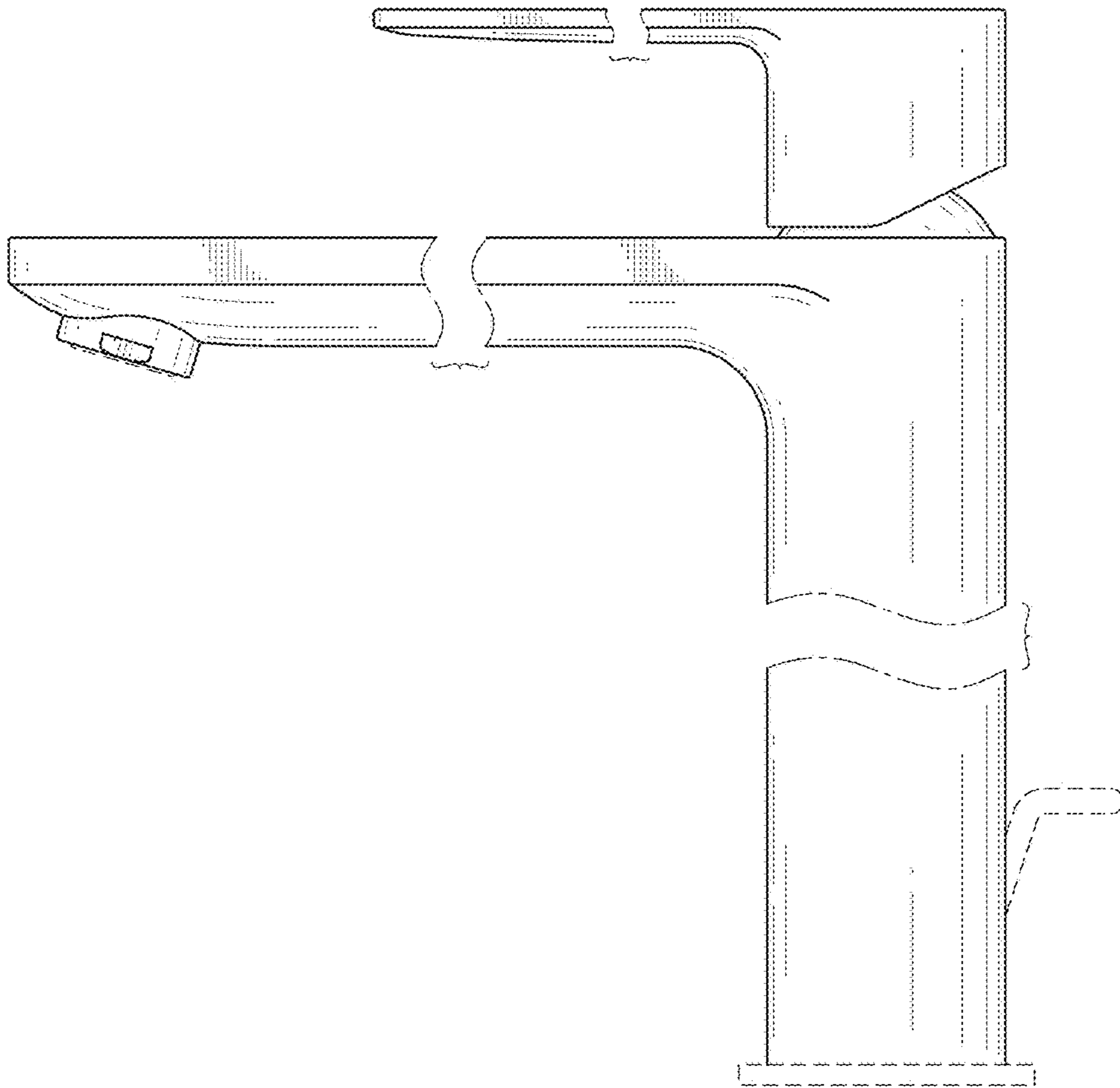


FIG.5

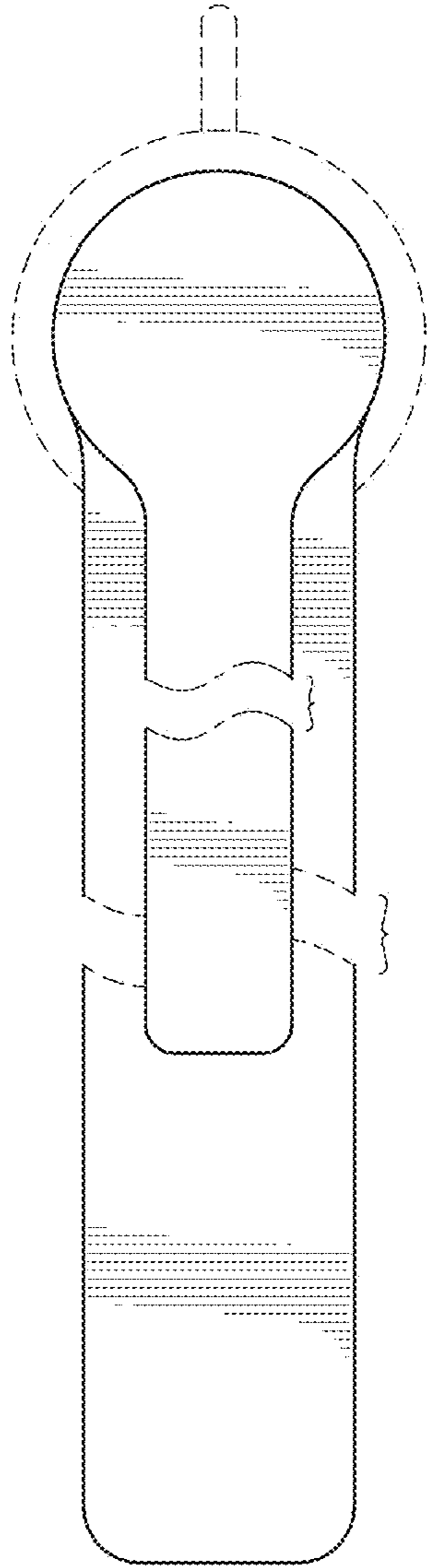


FIG.6

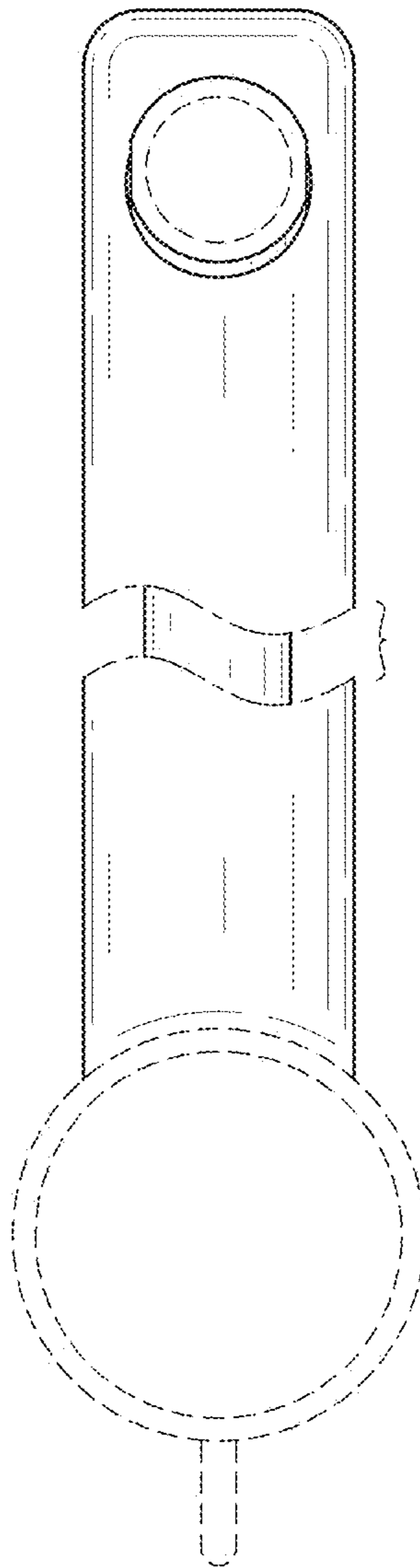


FIG.7