



US00D828508S

(12) **United States Design Patent**
Fritz

(10) **Patent No.:** **US D828,508 S**

(45) **Date of Patent:** **** Sep. 11, 2018**

(54) **FAUCET**

(71) Applicant: **DELTA FAUCET COMPANY,**
Indianapolis, IN (US)

(72) Inventor: **Seth Fritz,** Carmel, IN (US)

(73) Assignee: **DELTA FAUCET COMPANY,**
Indianapolis, IN (US)

(**) Term: **15 Years**

(21) Appl. No.: **29/596,161**

(22) Filed: **Mar. 6, 2017**

(51) **LOC (11) Cl.** **23-01**

(52) **U.S. Cl.**
USPC **D23/238**

(58) **Field of Classification Search**
USPC D23/238-242, 249, 250, 252, 254-255,
D23/257; D8/350, 353
CPC Y10T 137/9464
See application file for complete search history.

(56) **References Cited**

U.S. PATENT DOCUMENTS

D585,962 S * 2/2009 Shieh D23/250
D665,052 S * 8/2012 Wang D23/238

D705,398 S * 5/2014 Flowers D23/238
D754,294 S * 4/2016 Garland D23/238
D810,884 S * 2/2018 Garland D23/252

* cited by examiner

Primary Examiner — Robert A Delehanty

(74) *Attorney, Agent, or Firm* — Edgar A. Zarins; Nirav
D. Parikh

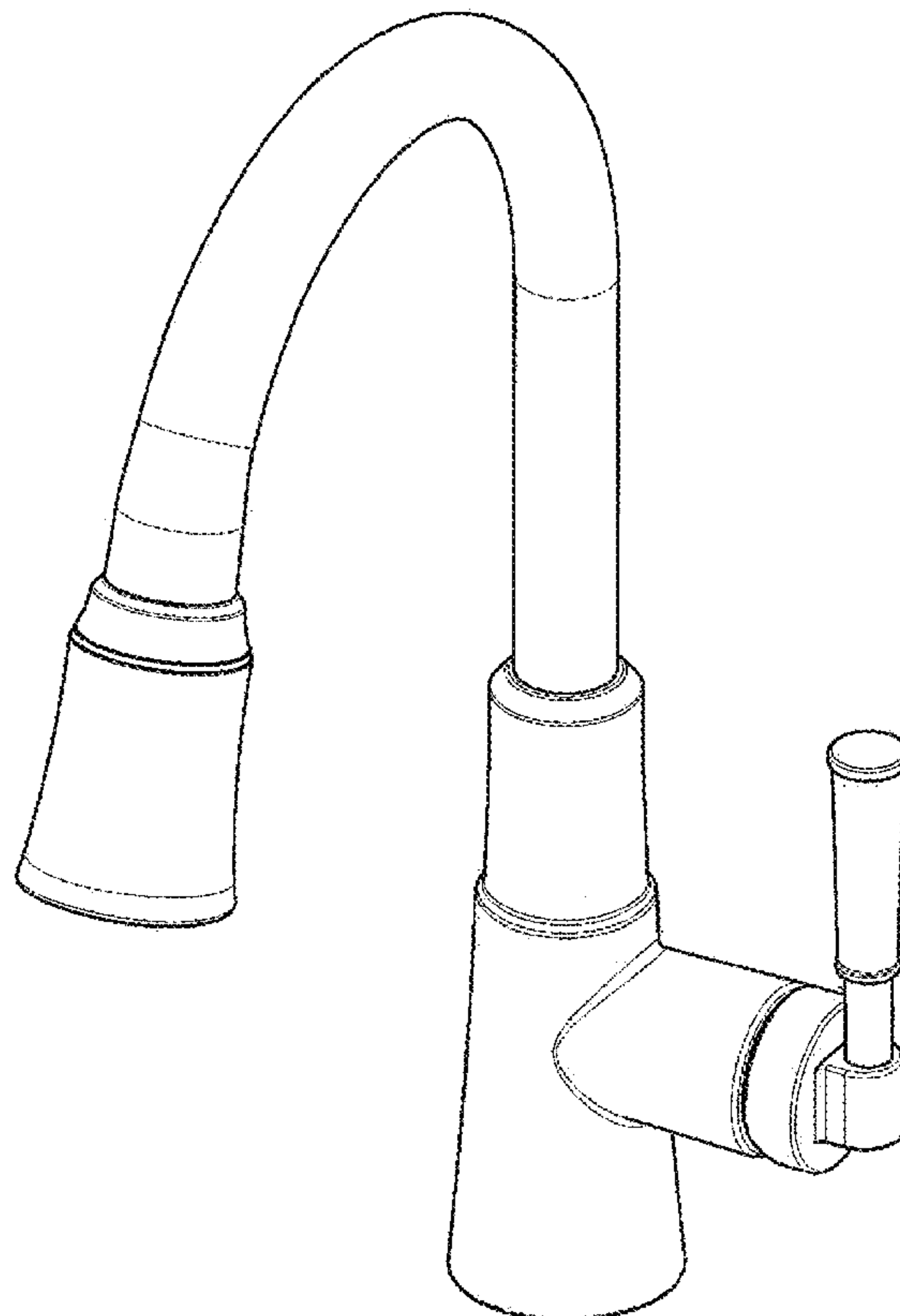
(57) **CLAIM**

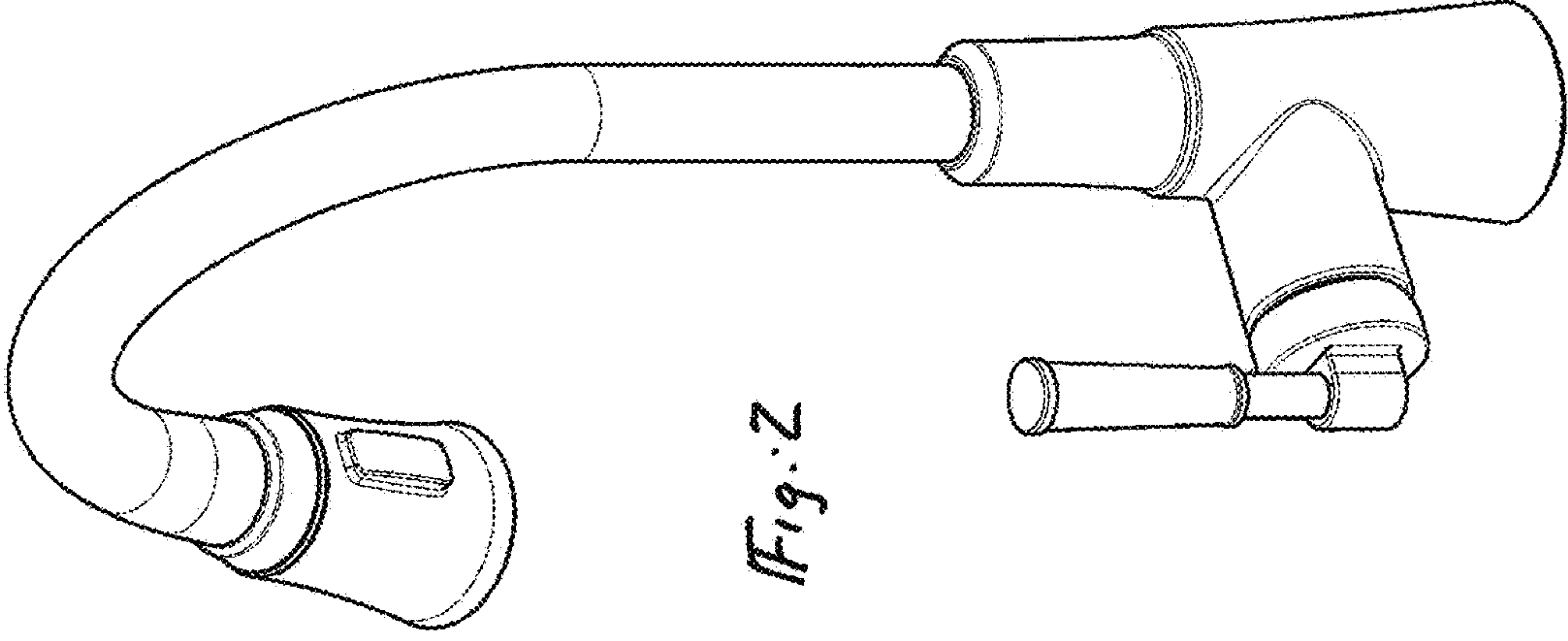
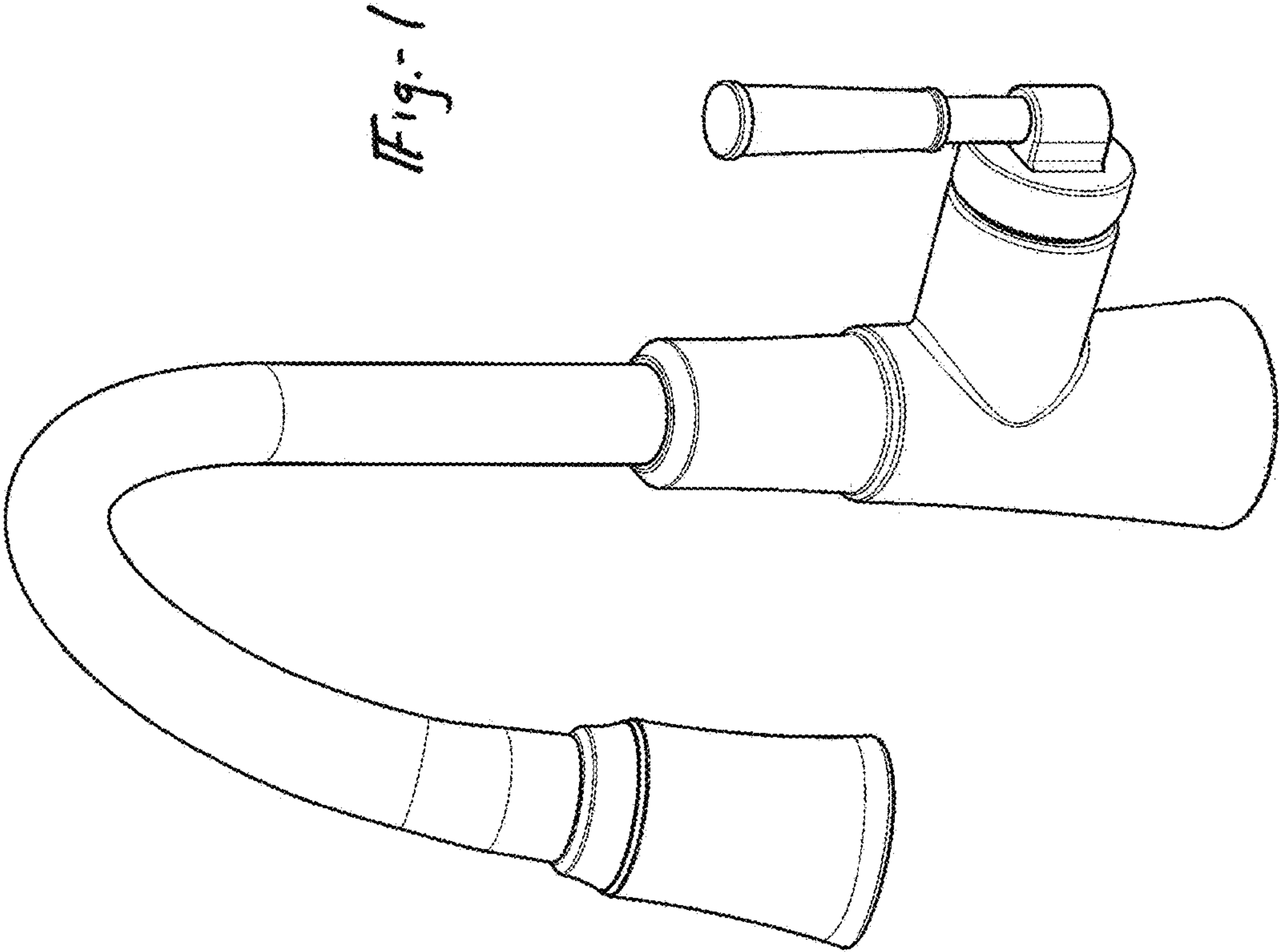
The ornamental design for a faucet, as shown and described.

DESCRIPTION

FIG. 1 is a perspective view of a faucet showing my new design;
FIG. 2 is a rear perspective view thereof;
FIG. 3 is a front elevational view thereof;
FIG. 4 is a left side view thereof;
FIG. 5 is a right side view thereof;
FIG. 6 is a rear view thereof;
FIG. 7 is a top plan view thereof; and,
FIG. 8 is a bottom view thereof.

1 Claim, 4 Drawing Sheets





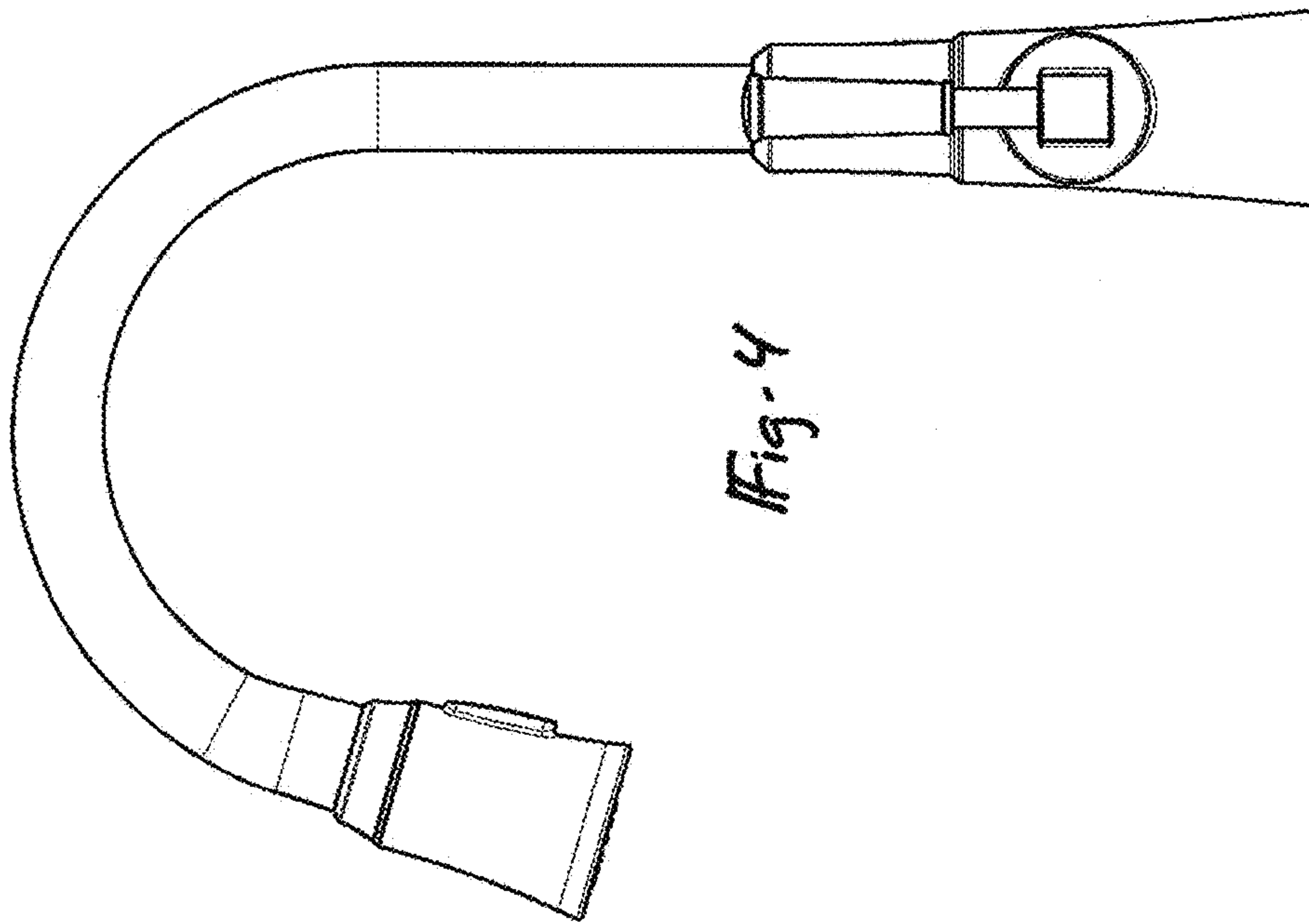


Fig. 4

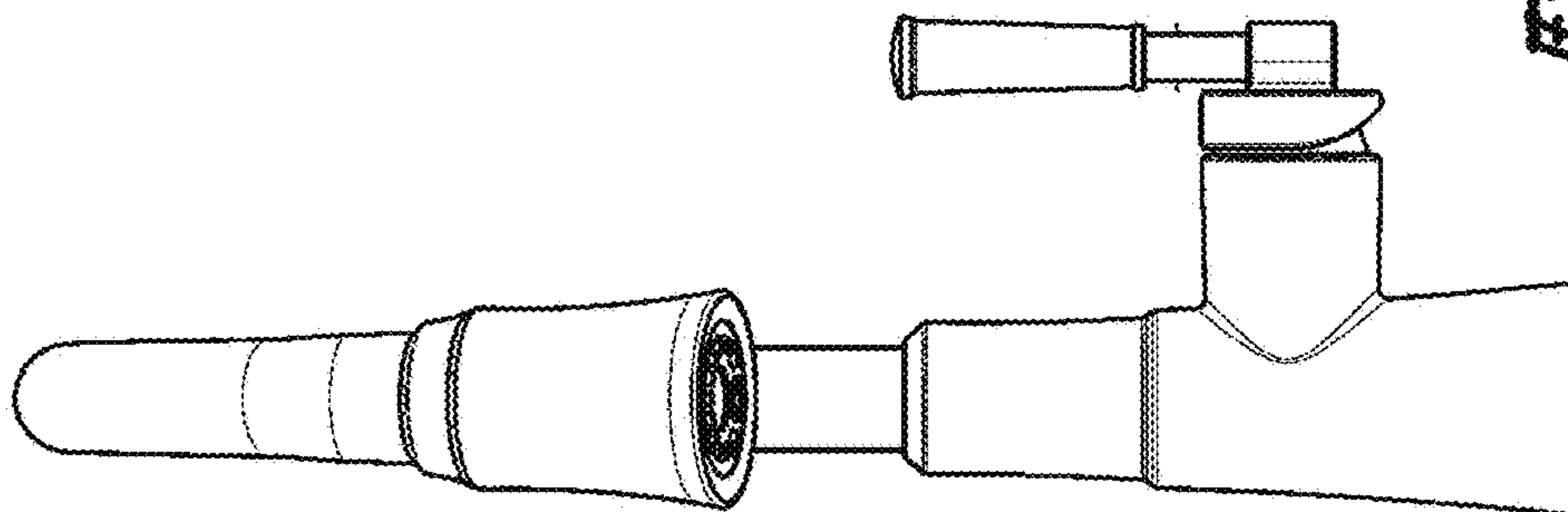


Fig. 3

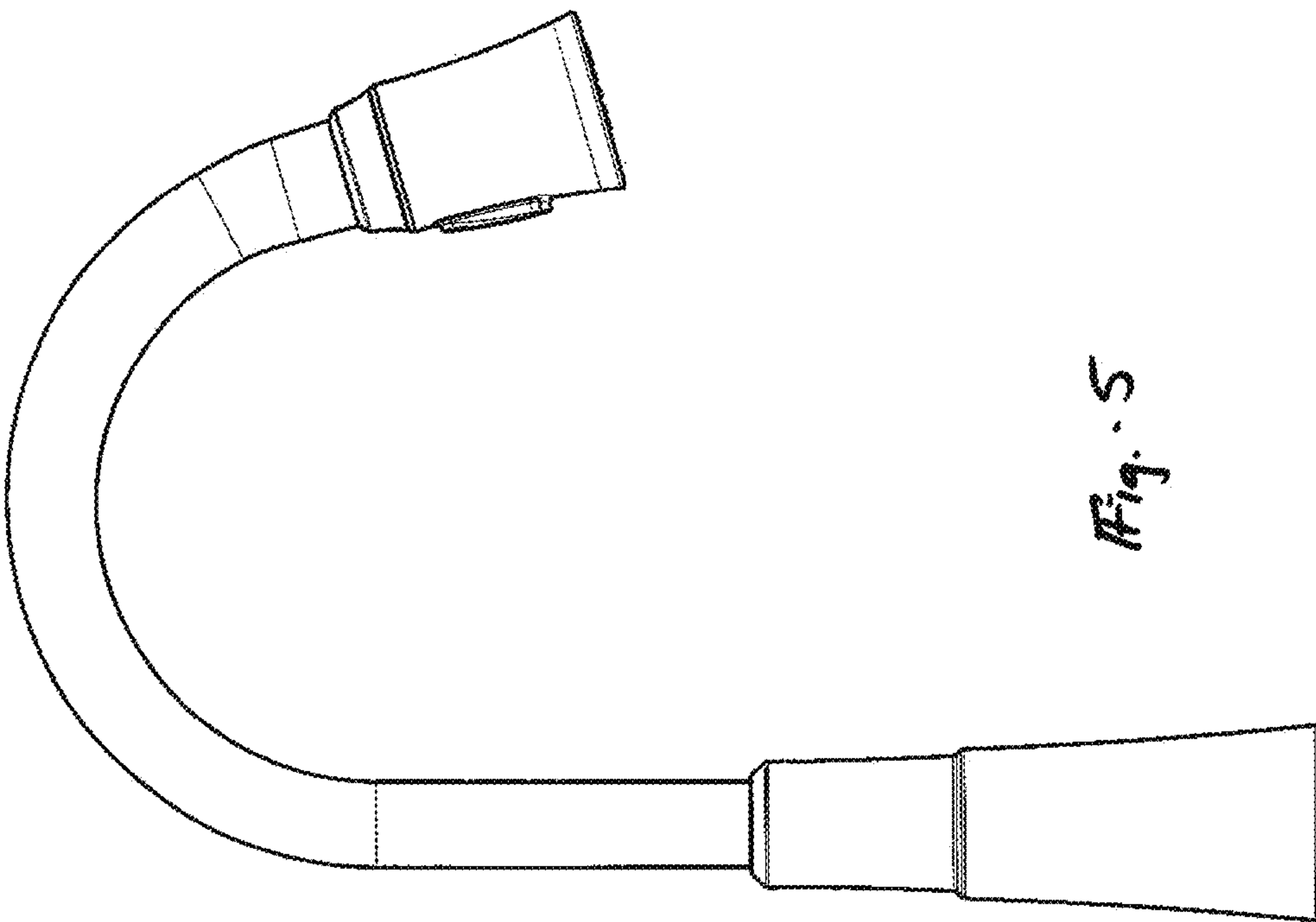


Fig. 5

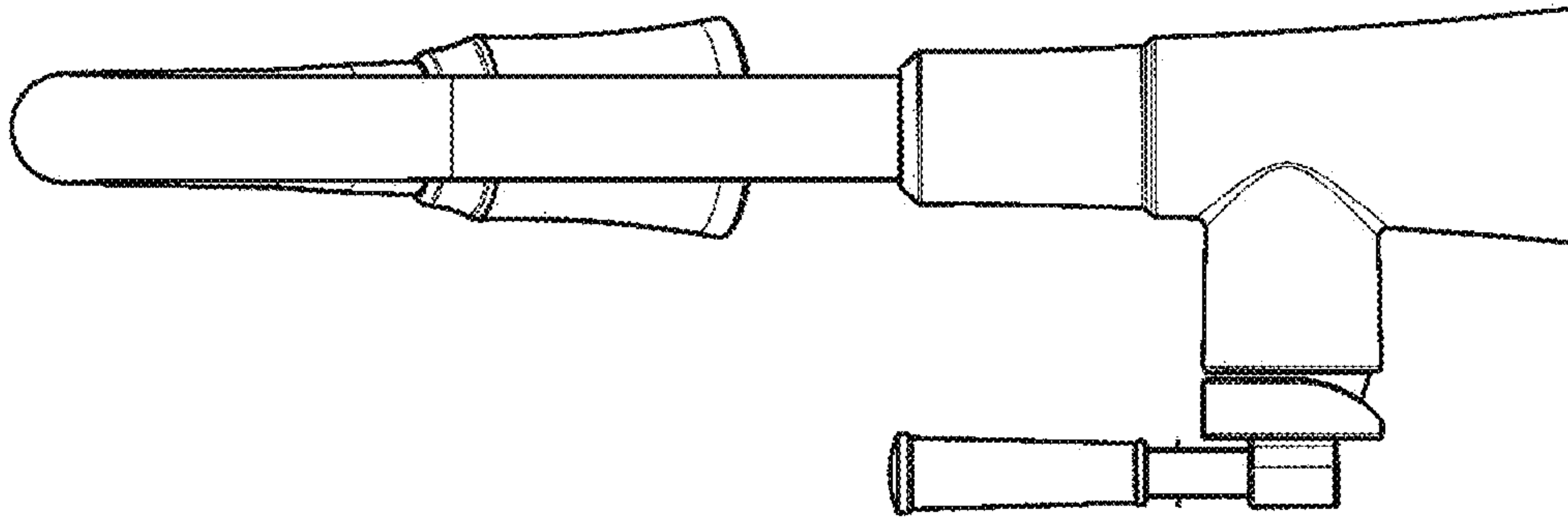


Fig. 6

Fig-8

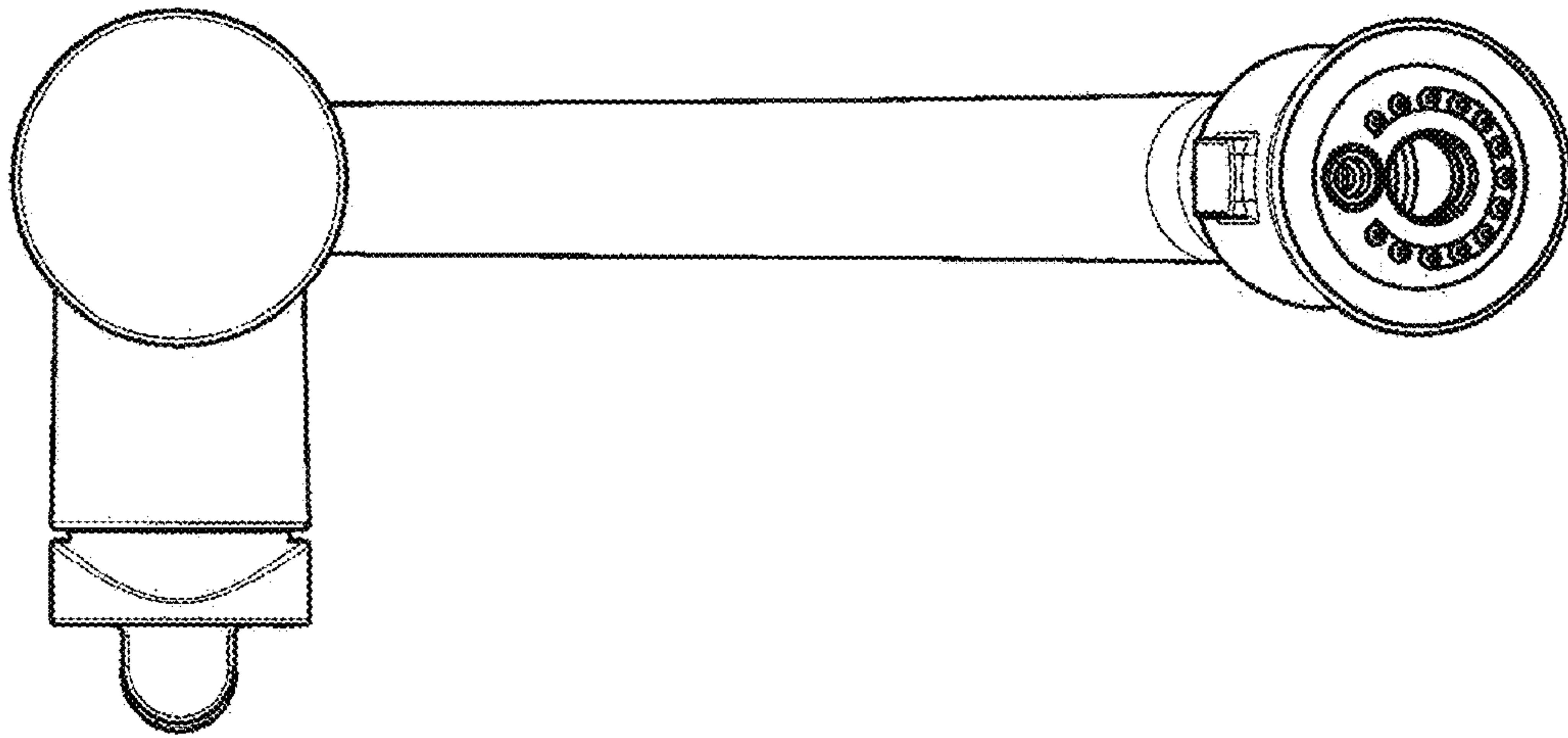


Fig-7

