



US00D828505S

(12) **United States Design Patent** (10) **Patent No.:** **US D828,505 S**
Schoenherr et al. (45) **Date of Patent:** **** *Sep. 11, 2018**

(54) **FAUCET**
(71) Applicant: **HANSGROHE SE**, Schiltach (DE)
(72) Inventors: **Tom Schoenherr**, Stuttgart (DE);
Andreas Diefenbach,
Ludwigsburg-Oßweil (DE); **Yunwei**
Zhu, Stuttgart (DE)
(73) Assignee: **Hansgrohe SE**, Schiltach (DE)

D757,223 S * 5/2016 Schoenherr D23/238
D760,354 S * 6/2016 Citterio D23/238
D760,355 S * 6/2016 Citterio D23/238
D762,820 S * 8/2016 Schoenherr D23/238
D767,721 S * 9/2016 Yoshioka D23/238

FOREIGN PATENT DOCUMENTS

CN 302124102 10/2012
CN 302309990 1/2013
EM 002246603-0001 5/2013
EM 002680223-0003 4/2015

(*) Notice: This patent is subject to a terminal disclaimer.

(**) Term: **15 Years**

(21) Appl. No.: **29/586,786**

(22) Filed: **Dec. 7, 2016**

(30) **Foreign Application Priority Data**

Jun. 8, 2016 (EM) 003180363-0017

(51) **LOC (11) Cl.** **23-01**

(52) **U.S. Cl.**
USPC **D23/238**

(58) **Field of Classification Search**
USPC D23/238, 241–243, 249–250, 252,
D23/254–255, 257; D8/307–308
CPC Y10T 137/9464
See application file for complete search history.

(56) **References Cited**

U.S. PATENT DOCUMENTS

D301,056 S * 5/1989 Paul D23/242
D510,978 S * 10/2005 Kulig D23/238
D636,463 S * 4/2011 Kulig D23/238
D645,938 S * 9/2011 Ando D23/238
D701,592 S * 3/2014 Zhenqiang D23/238

OTHER PUBLICATIONS

Riflessi, Catalog, Sep. 2011 Edition, 19 pgs., Cristina Rubinetterie, Bologna, Italy, at least as early as Mar. 2, 2012.

* cited by examiner

Primary Examiner — Robert A Delehanty

(74) *Attorney, Agent, or Firm* — Lora J. Graentzdoerffer

(57) **CLAIM**

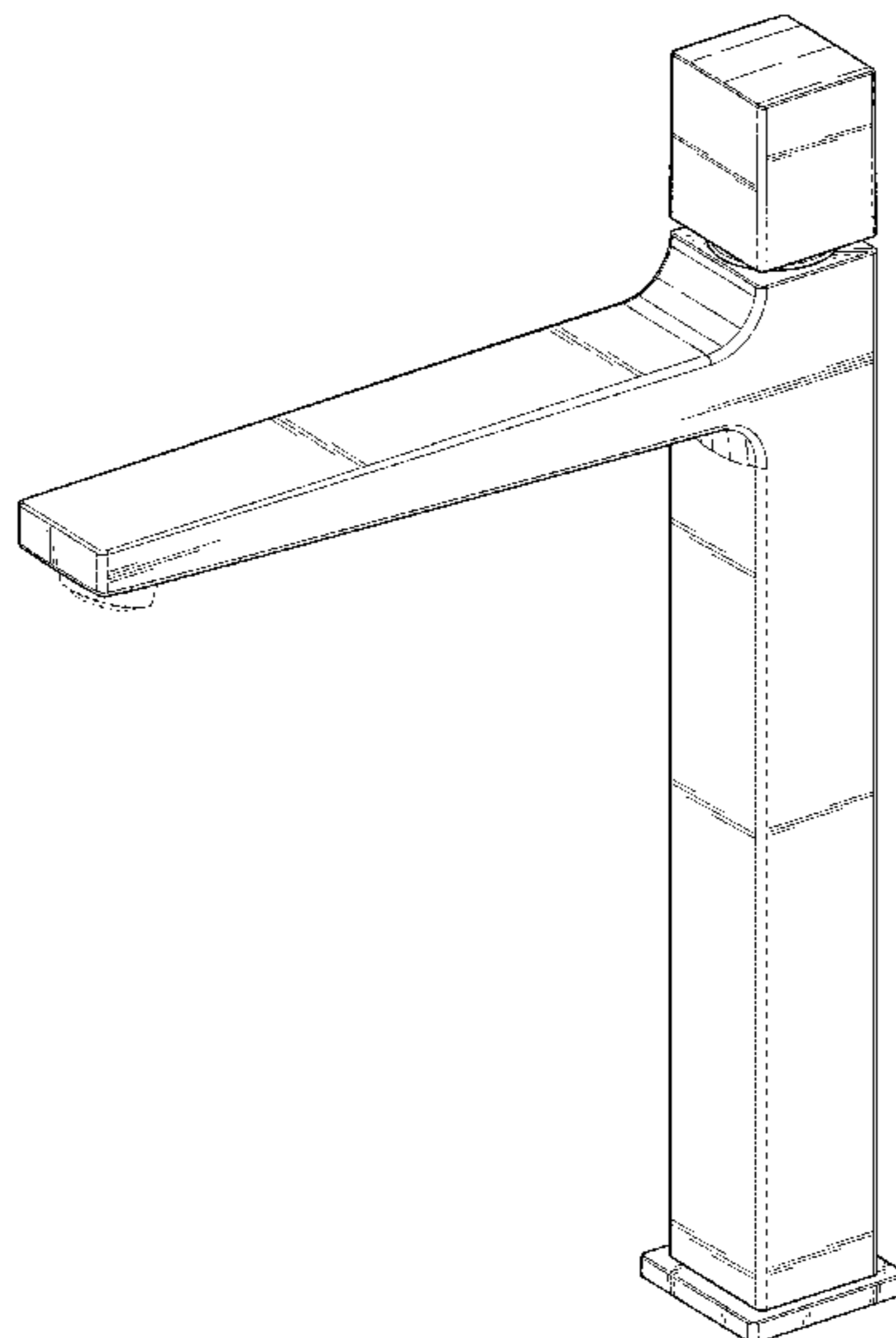
The ornamental design for a faucet, as shown and described.

DESCRIPTION

FIG. 1 is a perspective view of a faucet showing our design; FIG. 2 is a front elevation view; FIG. 3 is a rear elevation view; FIG. 4 is a right side elevation view; FIG. 5 is a left side elevation view; FIG. 6 is a top plan view; and, FIG. 7 is a bottom plan view.

The broken-line disclosure in the view represents a portion of the faucet in which the claimed design is embodied, but which forms no part of the claimed design.

1 Claim, 7 Drawing Sheets



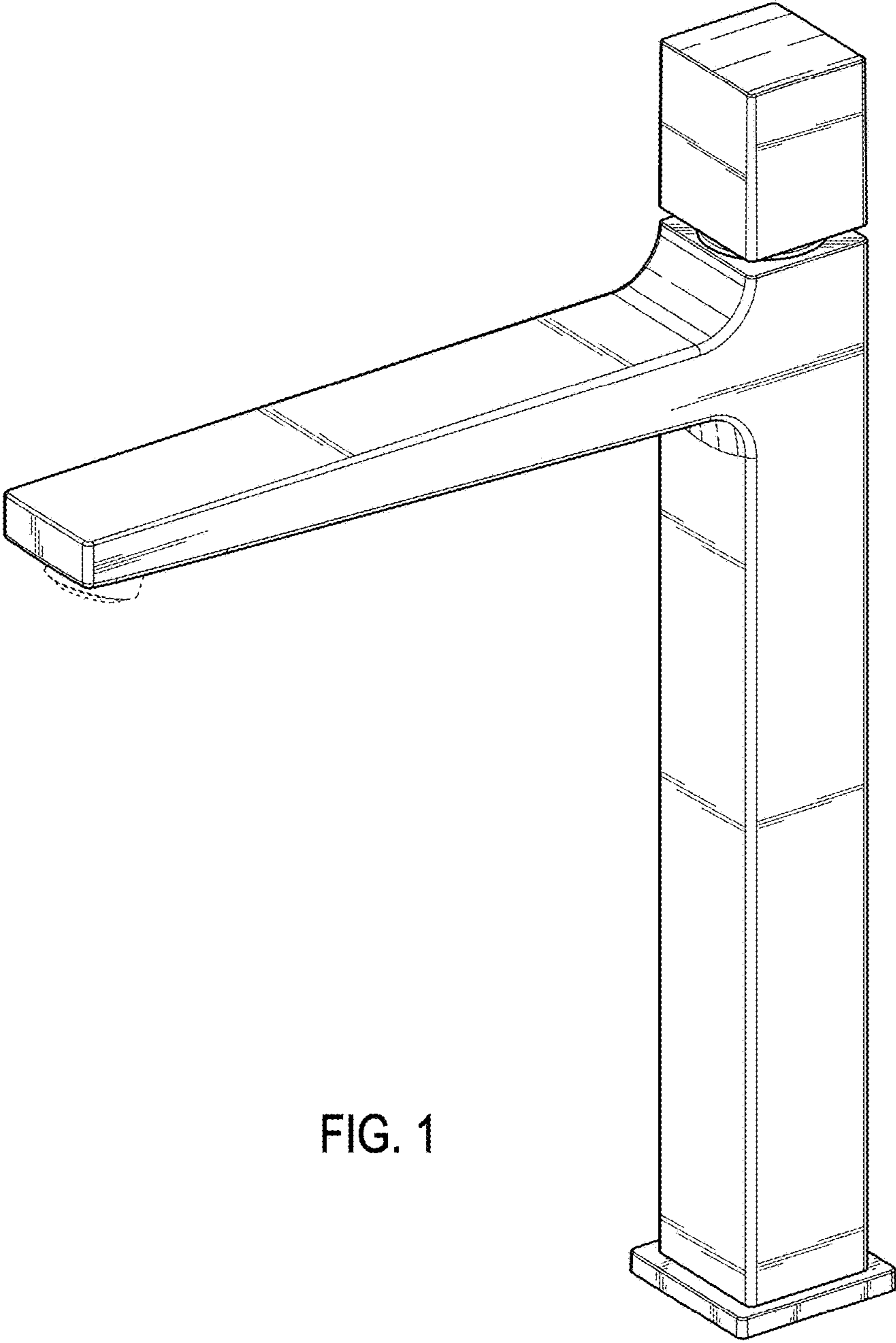


FIG. 1

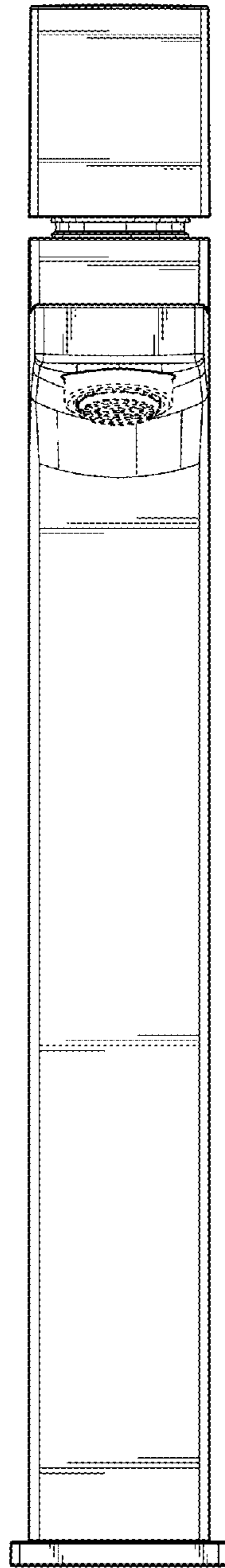


FIG. 2

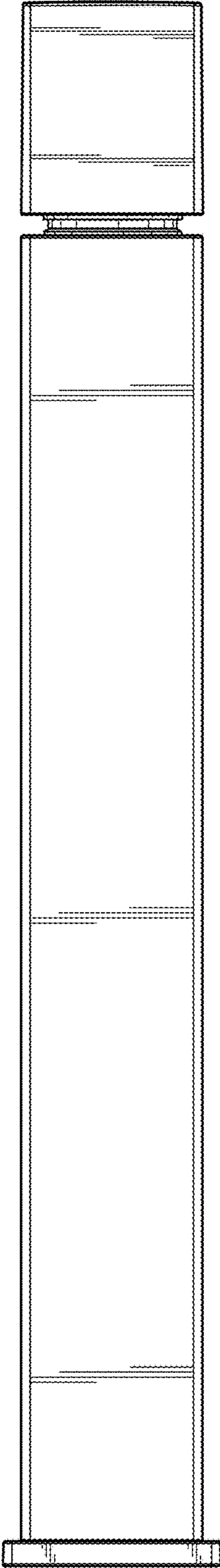


FIG. 3

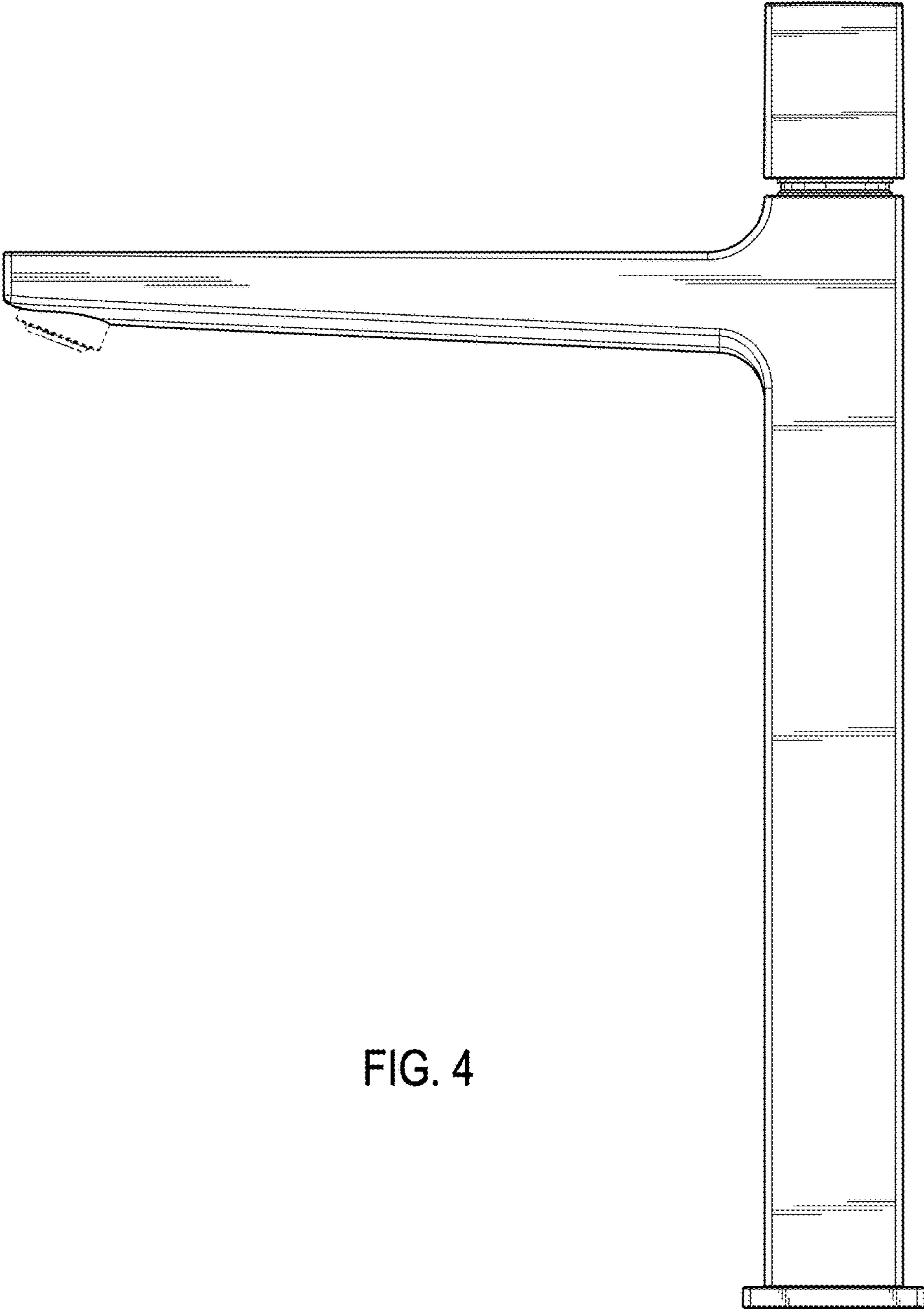


FIG. 4

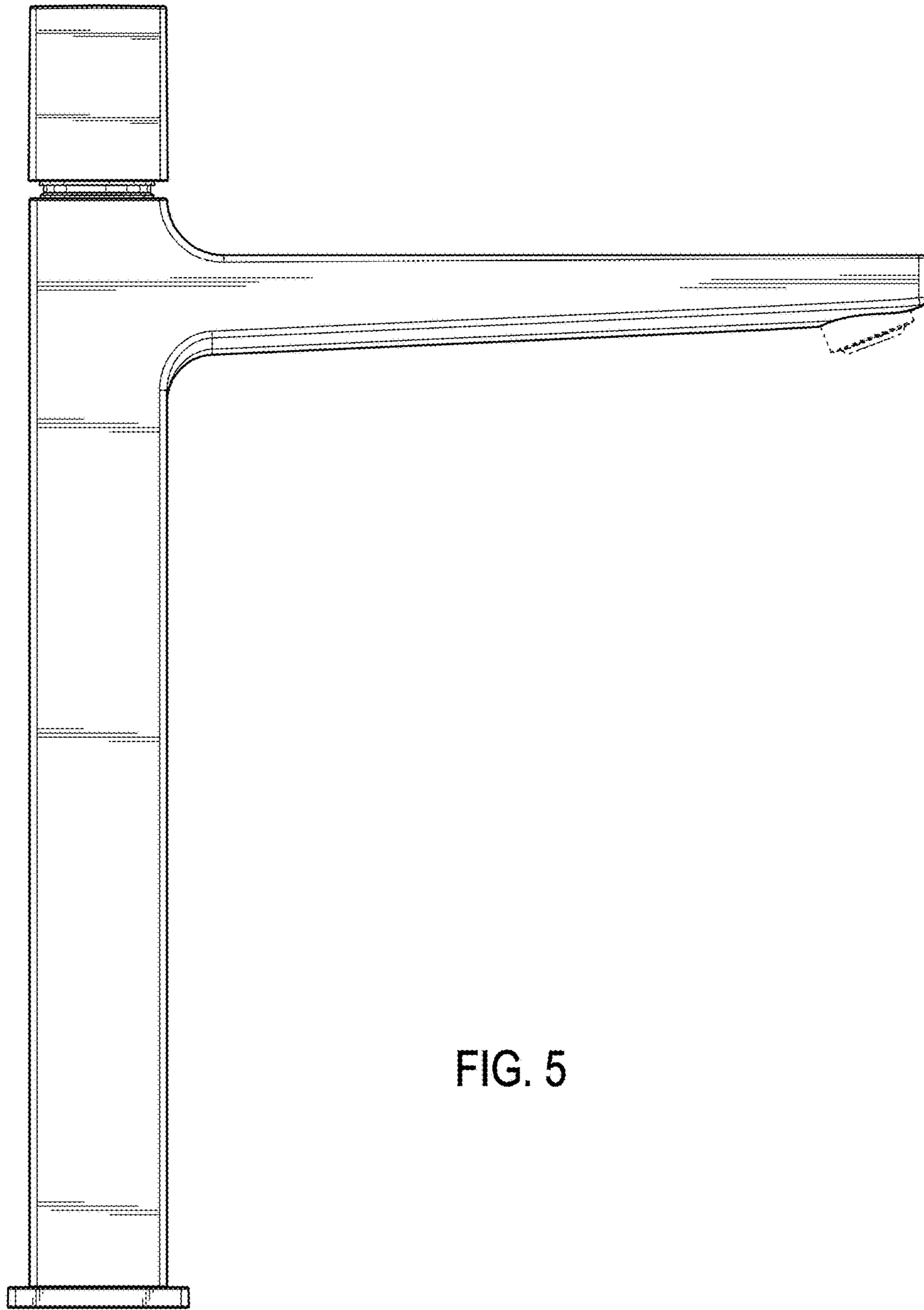


FIG. 5

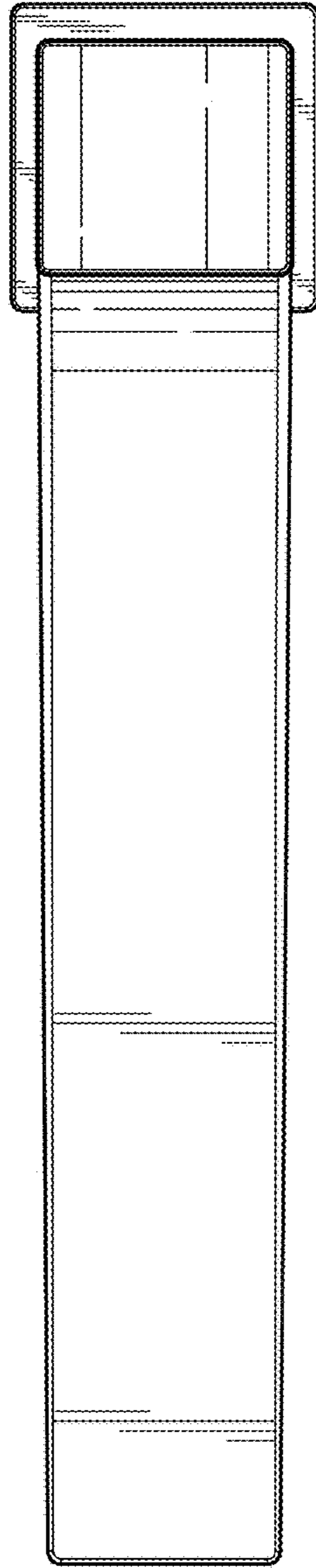


FIG. 6

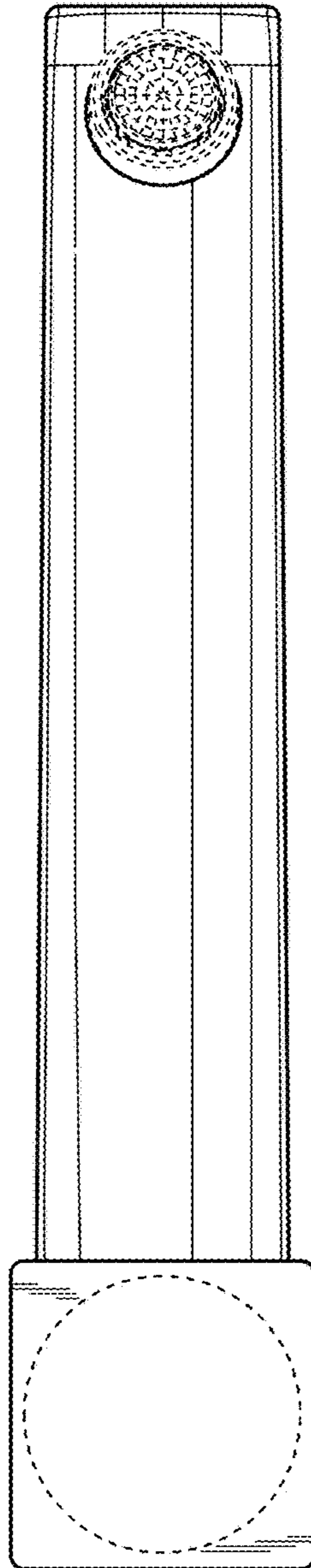


FIG. 7