



US00D828501S

(12) **United States Design Patent** (10) **Patent No.:** **US D828,501 S**
Schoenherr et al. (45) **Date of Patent:** **** *Sep. 11, 2018**

(54) **FAUCET**
(71) Applicant: **HANSGROHE SE**, Schiltach (DE)
(72) Inventors: **Tom Schoenherr**, Stuttgart (DE);
Andreas Diefenbach,
Ludwigsburg-Oßweil (DE); **Yunwei**
Zhu, Stuttgart (DE)

D691,242 S 10/2013 Gessi
D700,956 S * 3/2014 Schoenherr D23/238
D726,880 S 4/2015 Kington et al.
D757,223 S * 5/2016 Schoenherr D23/238
D760,354 S * 6/2016 Citterio D23/238
D760,355 S * 6/2016 Citterio D23/238
D762,820 S * 8/2016 Schoenherr D23/238
D767,721 S * 9/2016 Yoshioka D23/238

(73) Assignee: **Hansgrohe SE**, Schiltach (DE)
(*) Notice: This patent is subject to a terminal disclaimer.
(**) Term: **15 Years**
(21) Appl. No.: **29/586,652**
(22) Filed: **Dec. 6, 2016**

FOREIGN PATENT DOCUMENTS

EM 001857947-0002 5/2011
EM 001377097-0010 7/2013
EM 001377097-0037 7/2013
EM 001377097-0045 7/2013
EM 002303776-0001 9/2013
EM 002380311-0001 1/2014
EM 002625244-0001 2/2015
EM 002625244-0002 2/2015
EM 002625244-0004 2/2015
EM 002625244-0005 2/2015

* cited by examiner

(30) **Foreign Application Priority Data**
Jun. 8, 2016 (EM) 003180363-0006
(51) **LOC (11) Cl.** **23-01**
(52) **U.S. Cl.**
USPC **D23/238**
(58) **Field of Classification Search**
USPC D23/238, 241-243, 249-250, 252,
D23/254-255, 257; D8/307-308
CPC Y10T 137/9464
See application file for complete search history.

Primary Examiner — Robert A Delehanty
(74) *Attorney, Agent, or Firm* — Lora J. Graentzdoerffer

(57) **CLAIM**

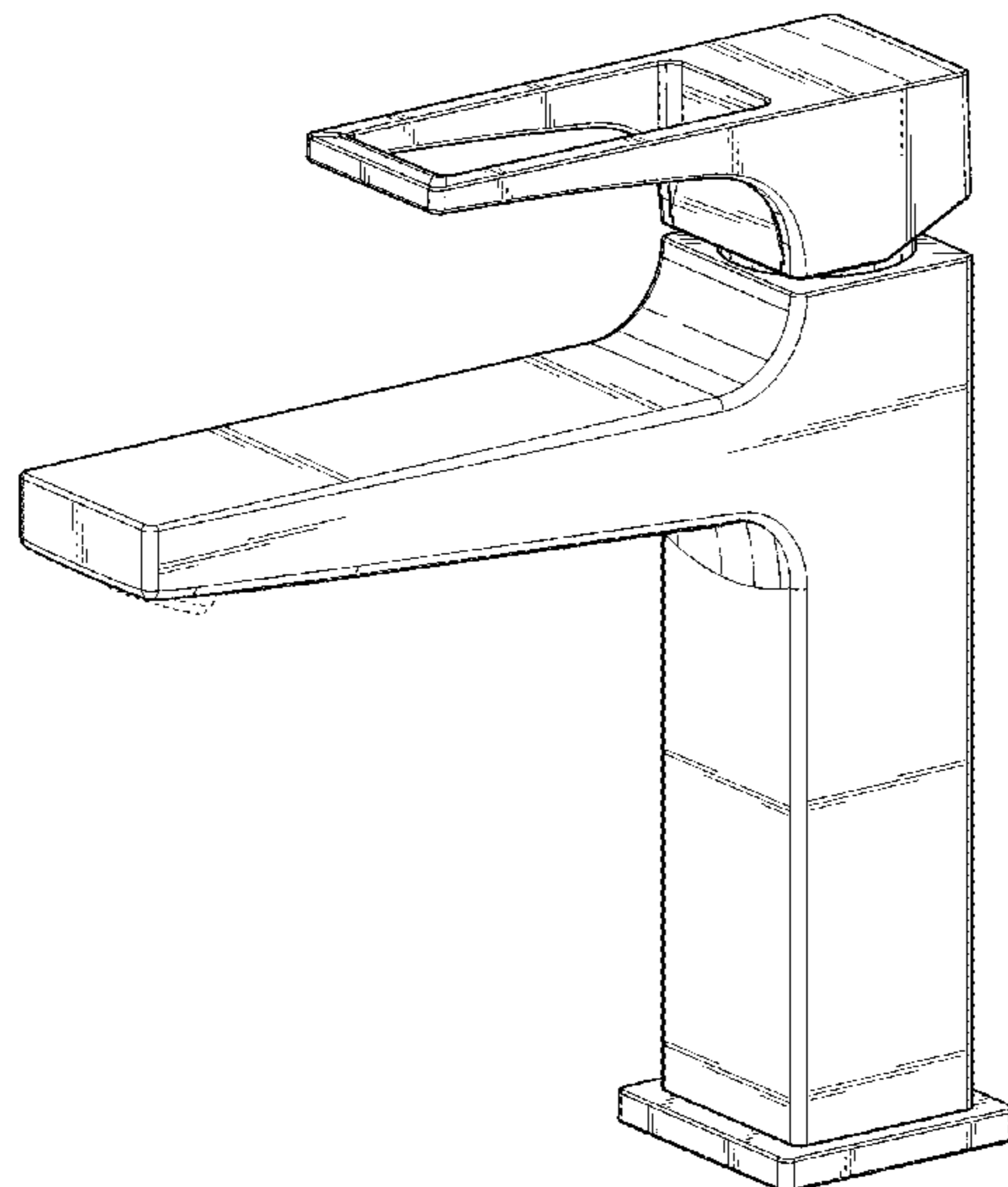
The ornamental design for a faucet, as shown and described.

DESCRIPTION

FIG. 1 is a perspective view of a faucet showing our design;
FIG. 2 is a front elevation view;
FIG. 3 is a rear elevation view;
FIG. 4 is a right side elevation view;
FIG. 5 is a left side elevation view;
FIG. 6 is a top plan view; and,
FIG. 7 is a bottom plan view.
The broken-line disclosure in the view represents a portion of the faucet in which the claimed design is embodied, but which forms no part of the claimed design.

(56) **References Cited**
U.S. PATENT DOCUMENTS
D353,650 S * 12/1994 Haug D23/238
D357,304 S * 4/1995 Haug D23/252
D403,745 S * 1/1999 Lobermeier D23/238
D517,169 S * 3/2006 Ogata D23/238
D645,938 S * 9/2011 Ando D23/238
D665,879 S * 8/2012 Flowers D23/252
D665,881 S * 8/2012 Flowers D23/252

1 Claim, 7 Drawing Sheets



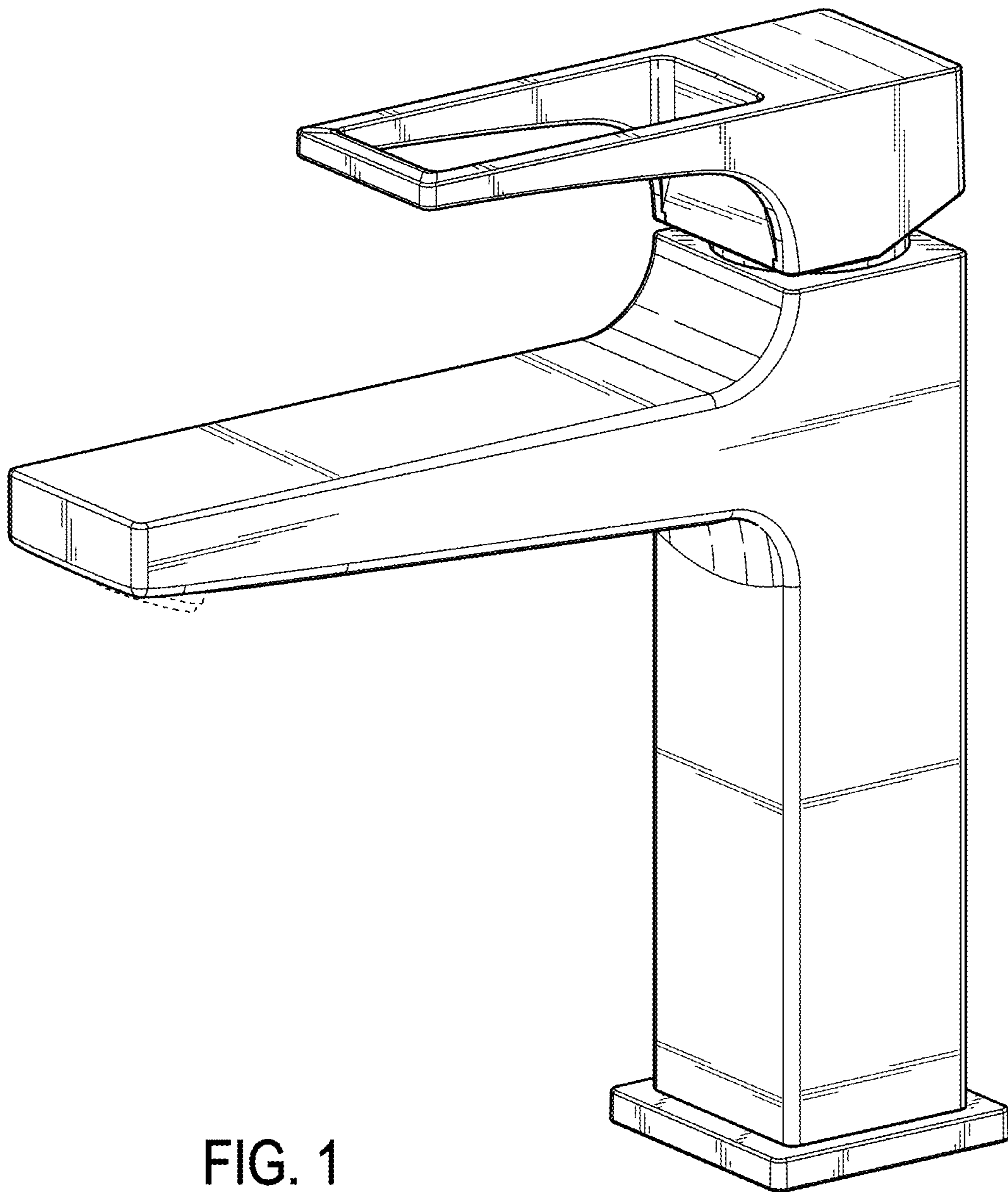


FIG. 1

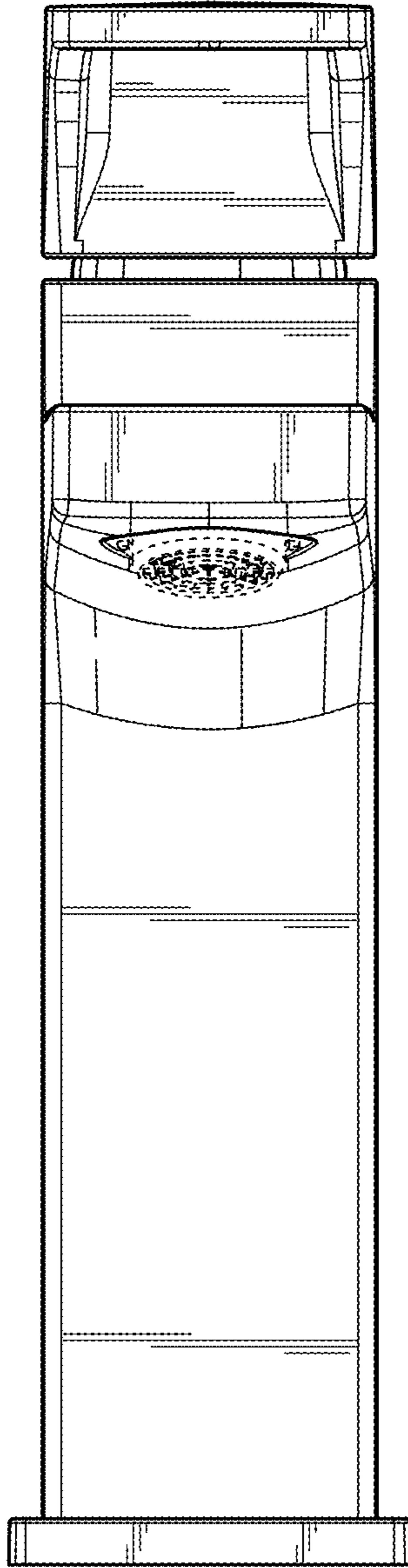


FIG. 2

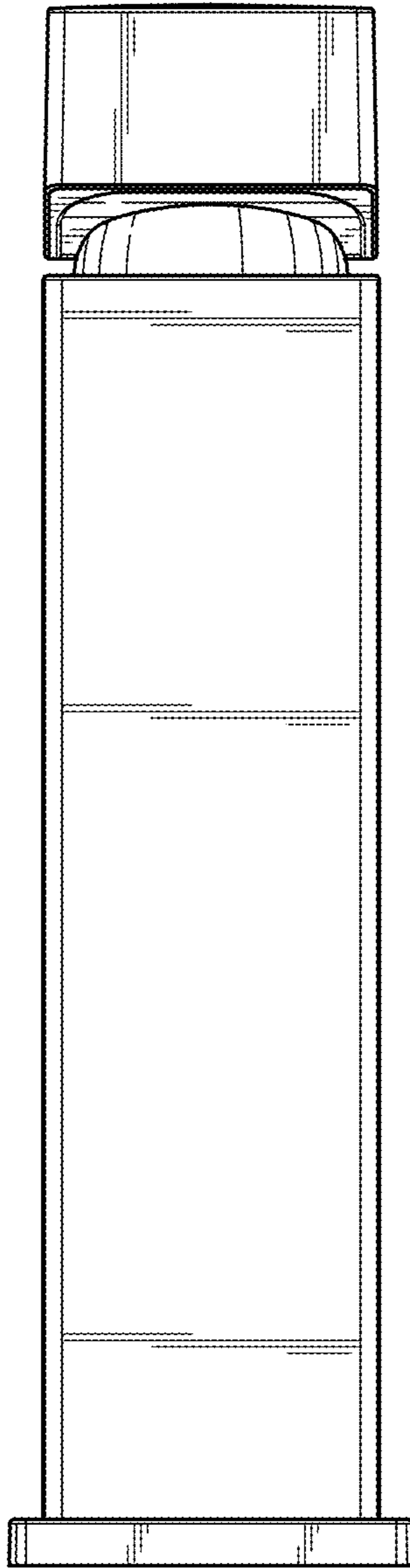


FIG. 3

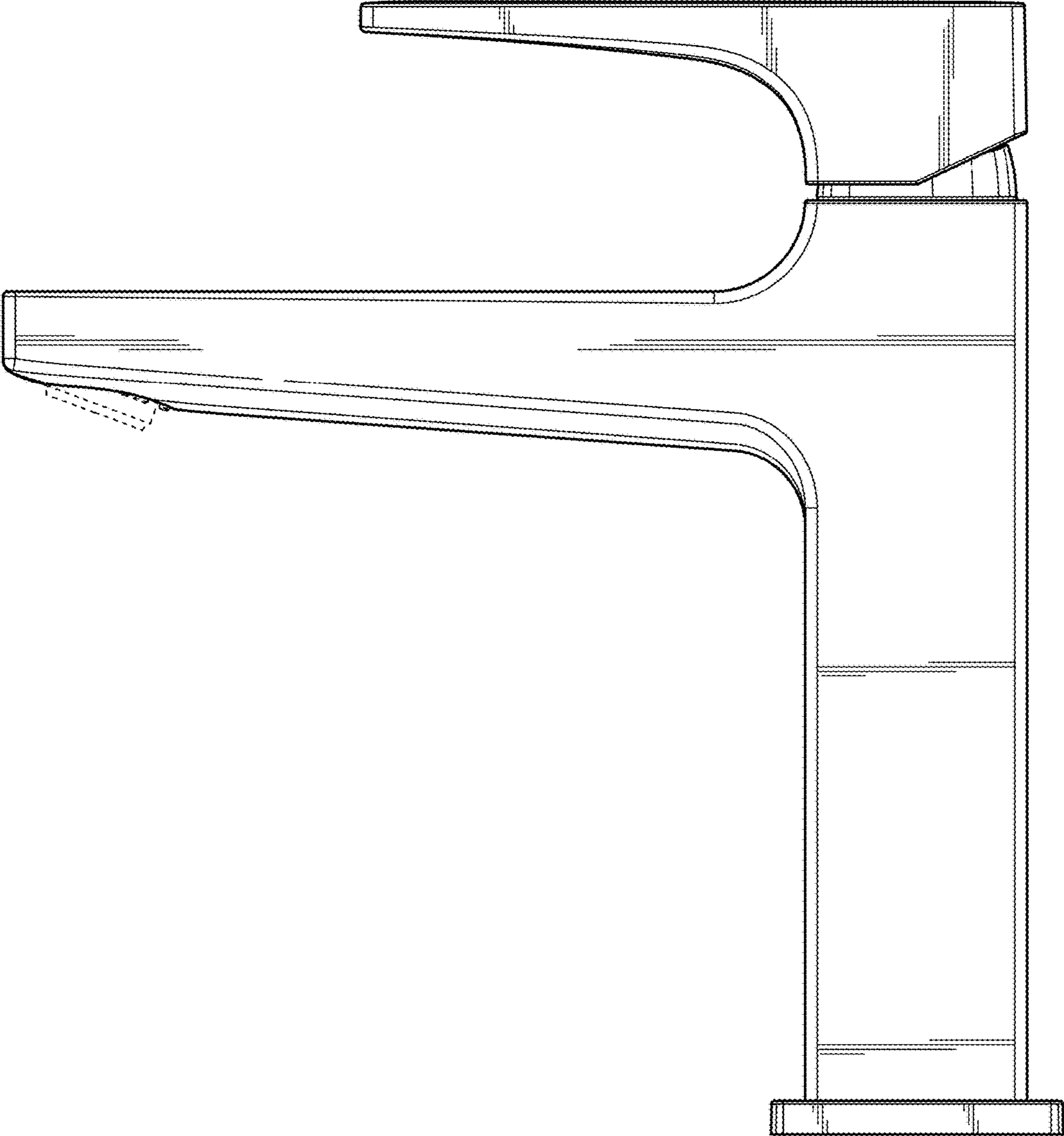


FIG. 4

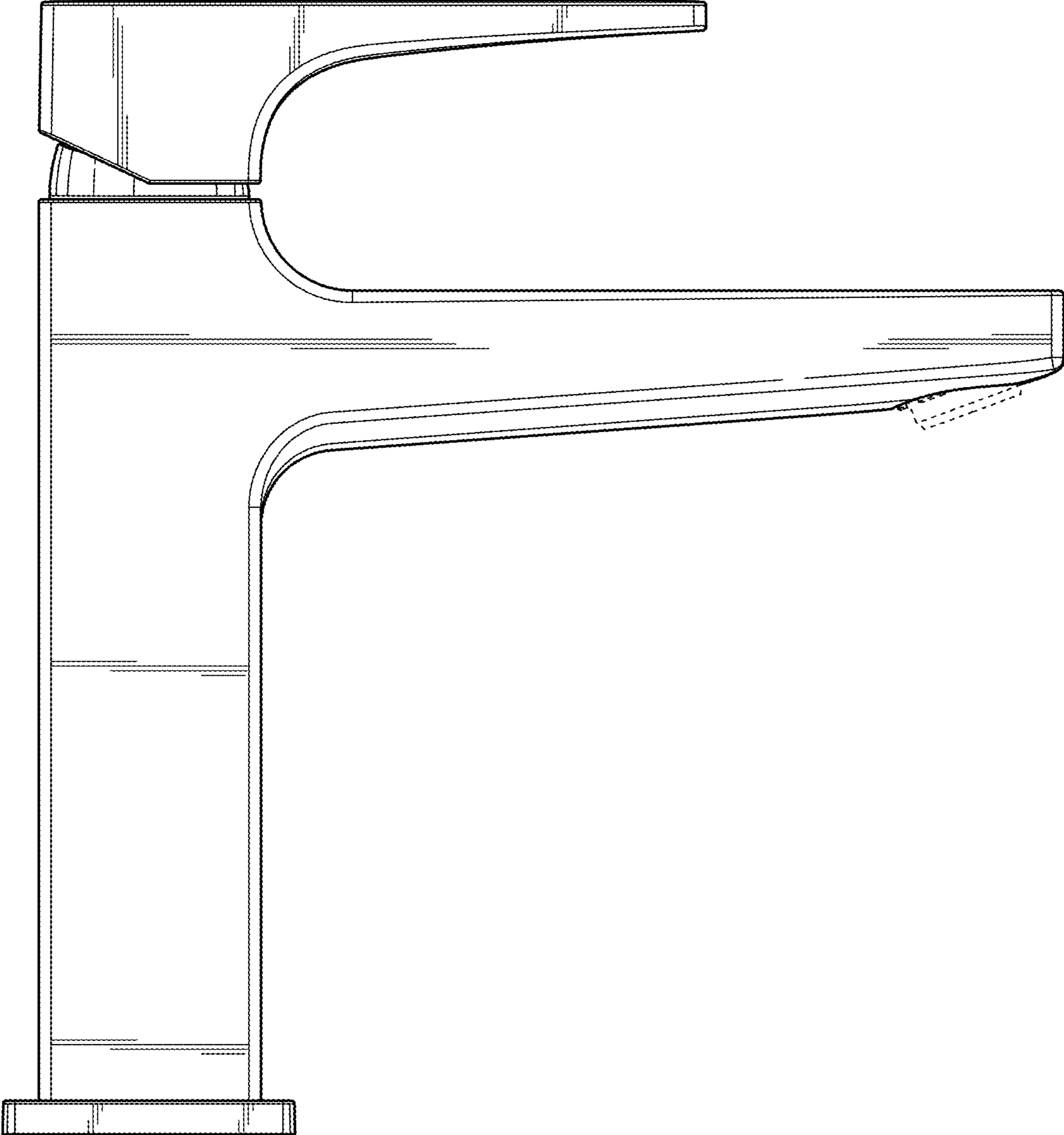


FIG. 5

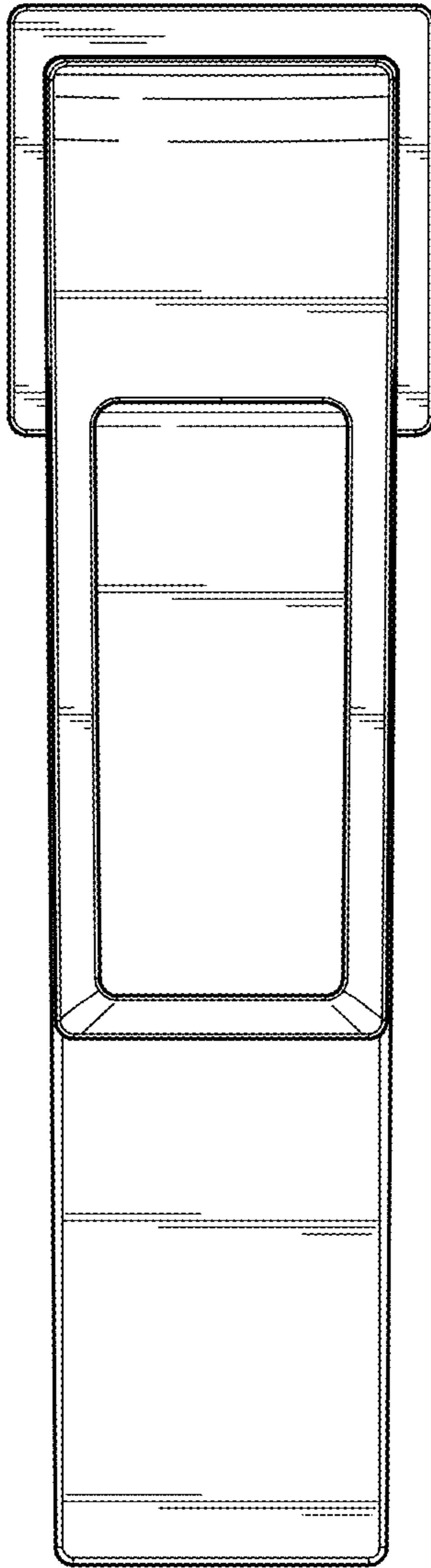


FIG. 6

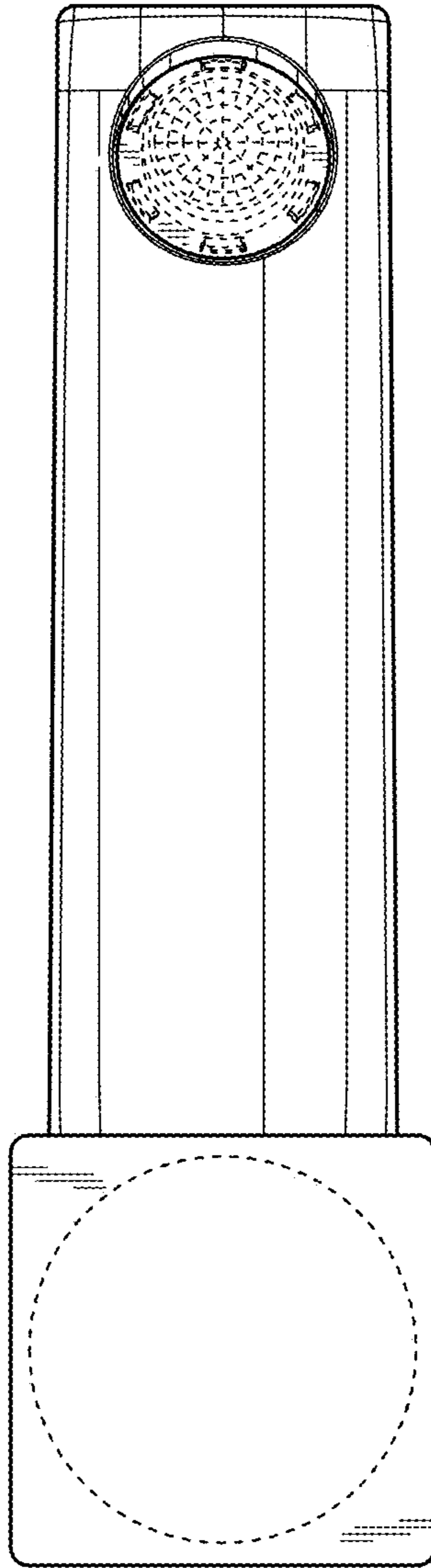


FIG. 7