



US00D828499S

(12) **United States Design Patent**  
**Doi et al.**

(10) **Patent No.:** **US D828,499 S**

(45) **Date of Patent:** **\*\* Sep. 11, 2018**

(54) **ELECTROMAGNETIC VALVE**

(71) Applicant: **SMC CORPORATION**, Chiyoda-ku  
(JP)

(72) Inventors: **Yoshitada Doi**, Koshigaya (JP);  
**Makoto Nomura**, Moriya (JP); **Shinya**  
**Yamasaki**, Moriya (JP)

(73) Assignee: **SMC CORPORATION**, Chiyoda-ku  
(JP)

(\*\*) Term: **15 Years**

(21) Appl. No.: **29/598,721**

(22) Filed: **Mar. 28, 2017**

(30) **Foreign Application Priority Data**

Oct. 12, 2016 (JP) ..... 2016-022126

(51) **LOC (11) Cl.** ..... **23-01**

(52) **U.S. Cl.**

USPC ..... **D23/233**

(58) **Field of Classification Search**

USPC ..... D23/233, 235, 237, 241, 247, 248, 249;  
251/129.15, 129.2, 129.01; 137/487.5,  
137/909

CPC .... F16K 31/0675; F16K 27/029; F16K 31/06;  
F16K 31/082; F16K 27/048

See application file for complete search history.

(56) **References Cited**

**U.S. PATENT DOCUMENTS**

D443,030 S \* 5/2001 Kaneko ..... D23/233  
D459,441 S \* 6/2002 Hayashi ..... D23/233

D533,254 S \* 12/2006 Miyazoe ..... D23/233  
D533,255 S \* 12/2006 Miyazoe ..... D23/233  
D720,043 S \* 12/2014 Nishiyama ..... D23/233  
D728,744 S \* 5/2015 Nishiyama ..... D23/233  
D783,126 S \* 4/2017 Morodomi ..... D23/233

\* cited by examiner

*Primary Examiner* — Cynthia Ramirez

*Assistant Examiner* — Gino Colan

(74) *Attorney, Agent, or Firm* — Oblon, McClelland,  
Maier & Neustadt, L.L.P.

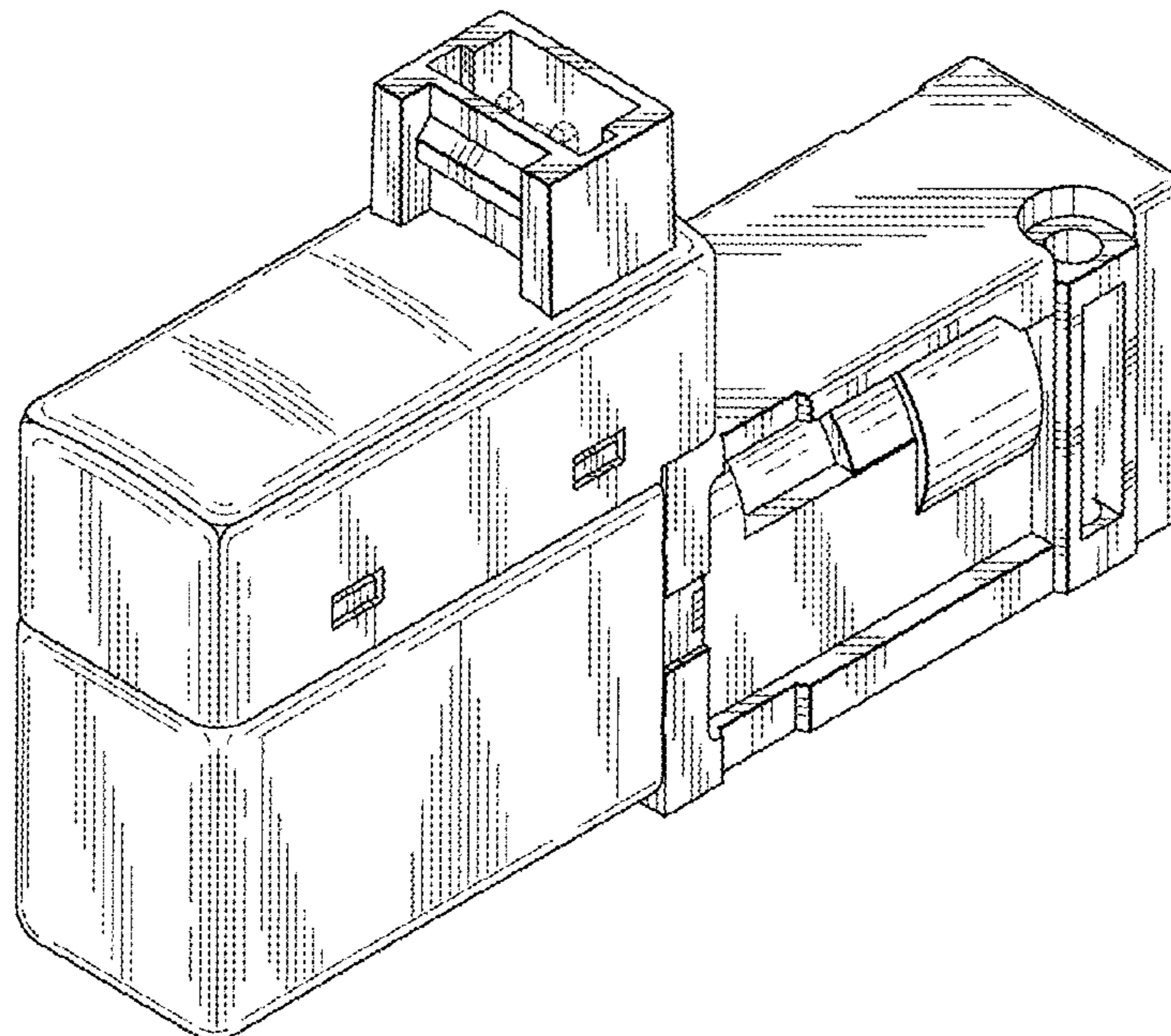
(57) **CLAIM**

The ornamental design for an electromagnetic valve, as shown and described.

**DESCRIPTION**

FIG. 1 is a front elevation view of an electromagnetic valve showing our new design;  
FIG. 2 is a rear elevation view thereof;  
FIG. 3 is a top plan view thereof;  
FIG. 4 is a bottom plan view thereof;  
FIG. 5 is a left side elevation view thereof;  
FIG. 6 is a right side elevation view thereof;  
FIG. 7 is a front left top perspective view thereof; and,  
FIG. 8 is a rear right bottom perspective view thereof.  
The broken lines in the drawings illustrate portions of the electromagnetic valve that form no part of the claimed design.

**1 Claim, 8 Drawing Sheets**



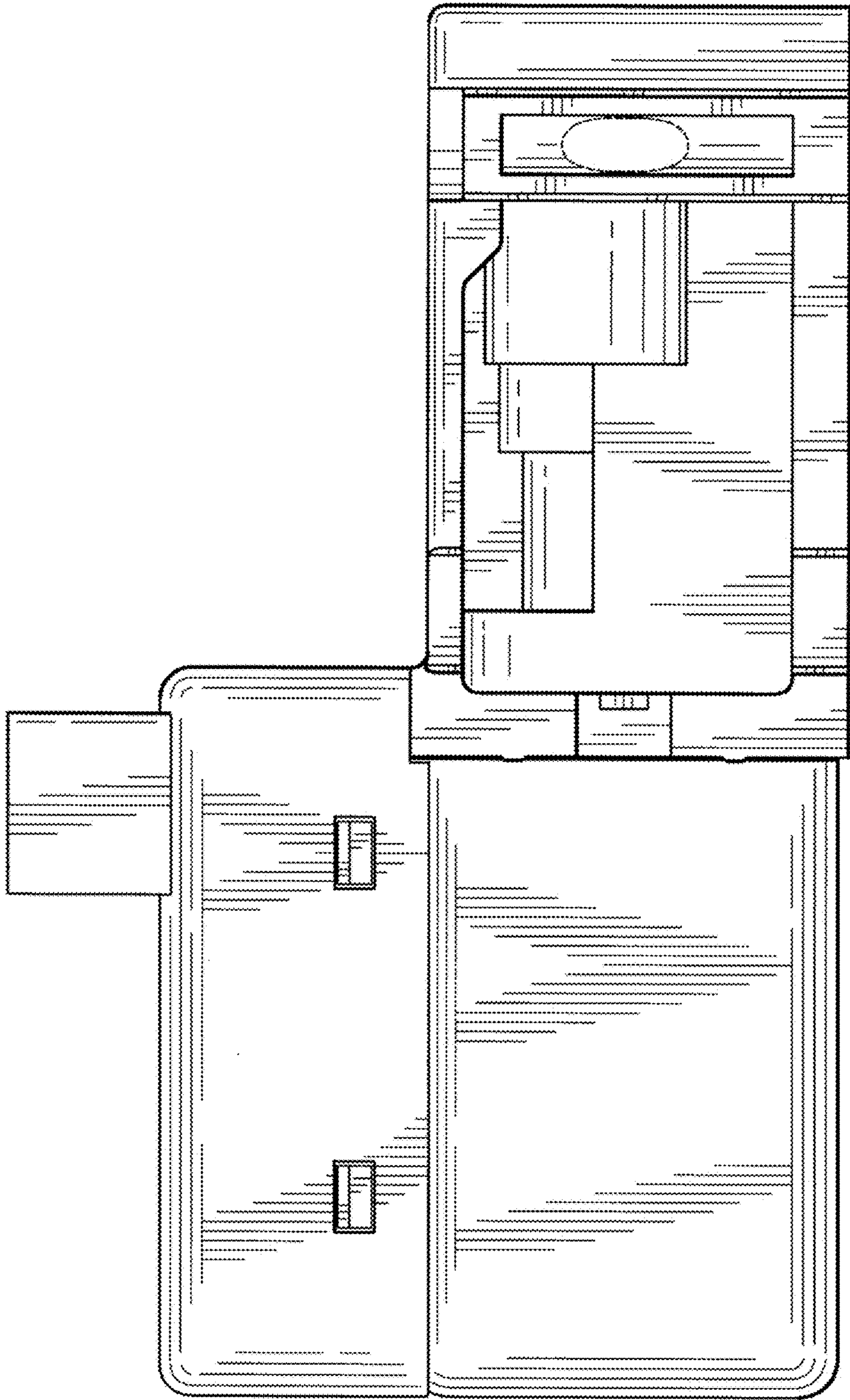


FIG. 1

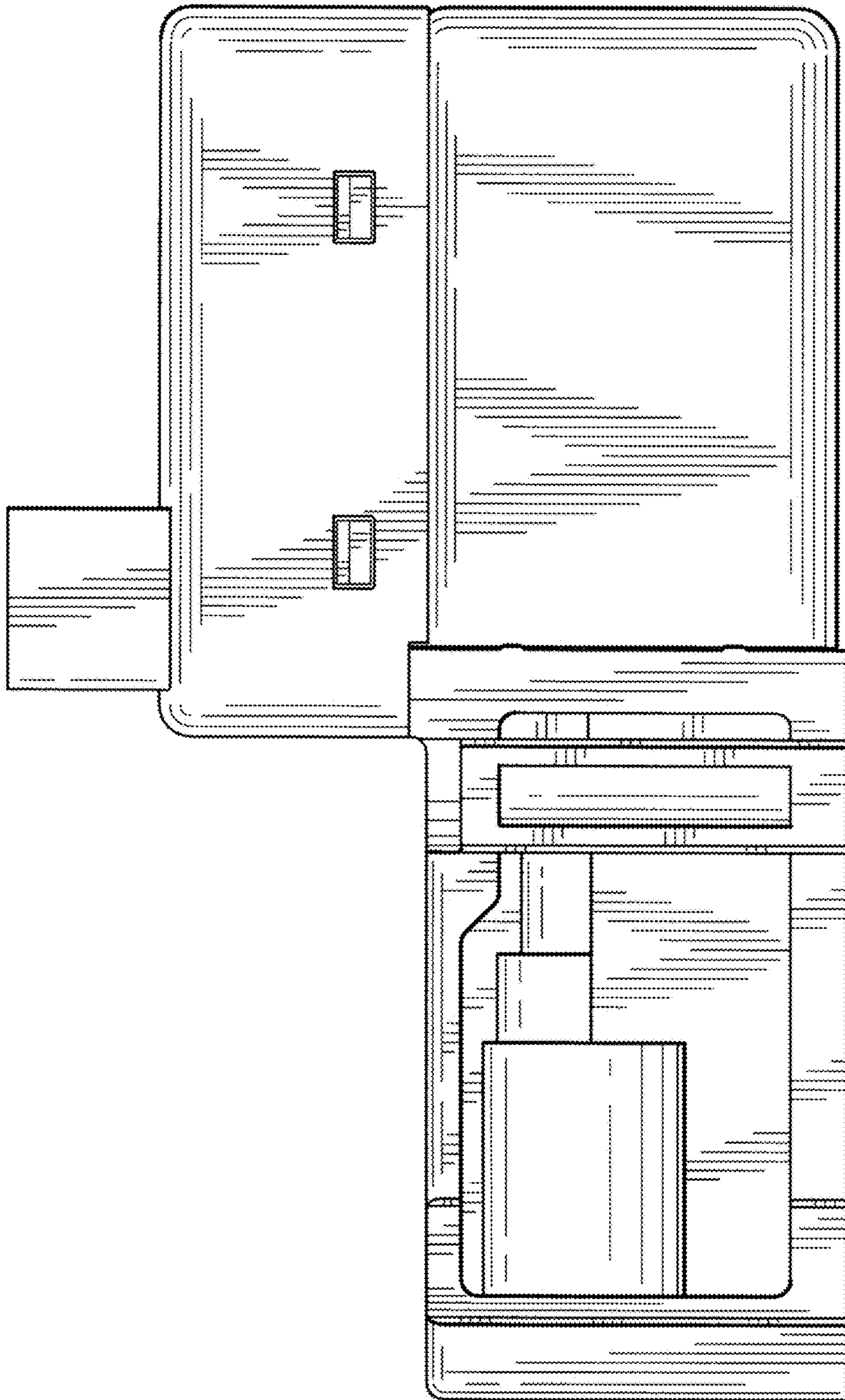


FIG. 2

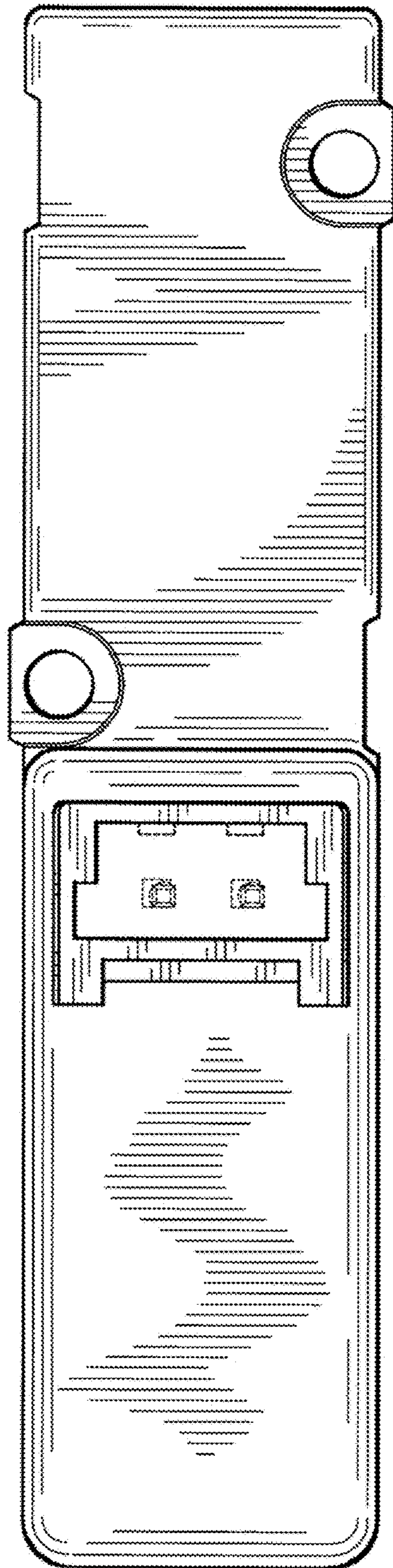


FIG. 3

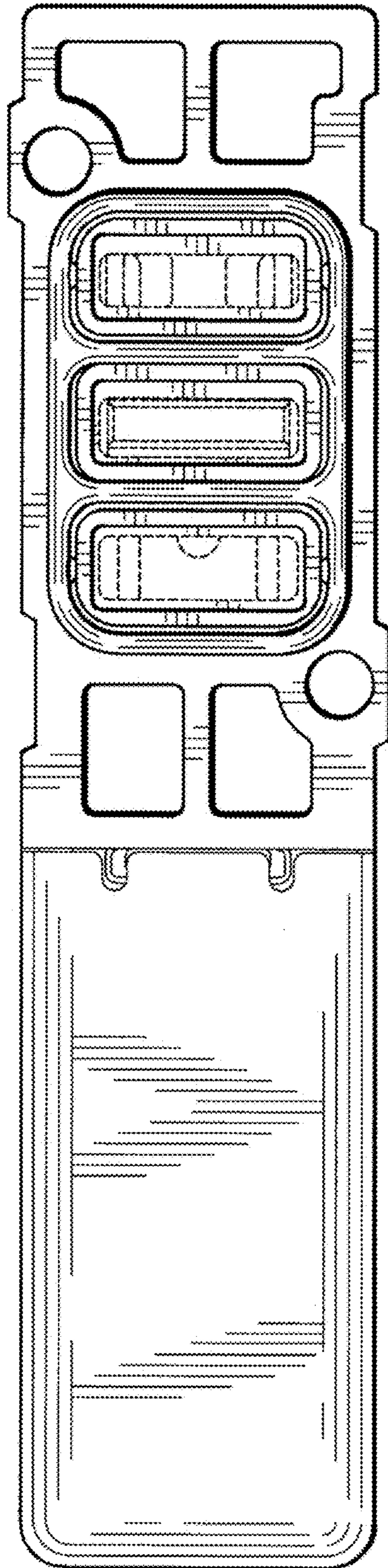


FIG. 4

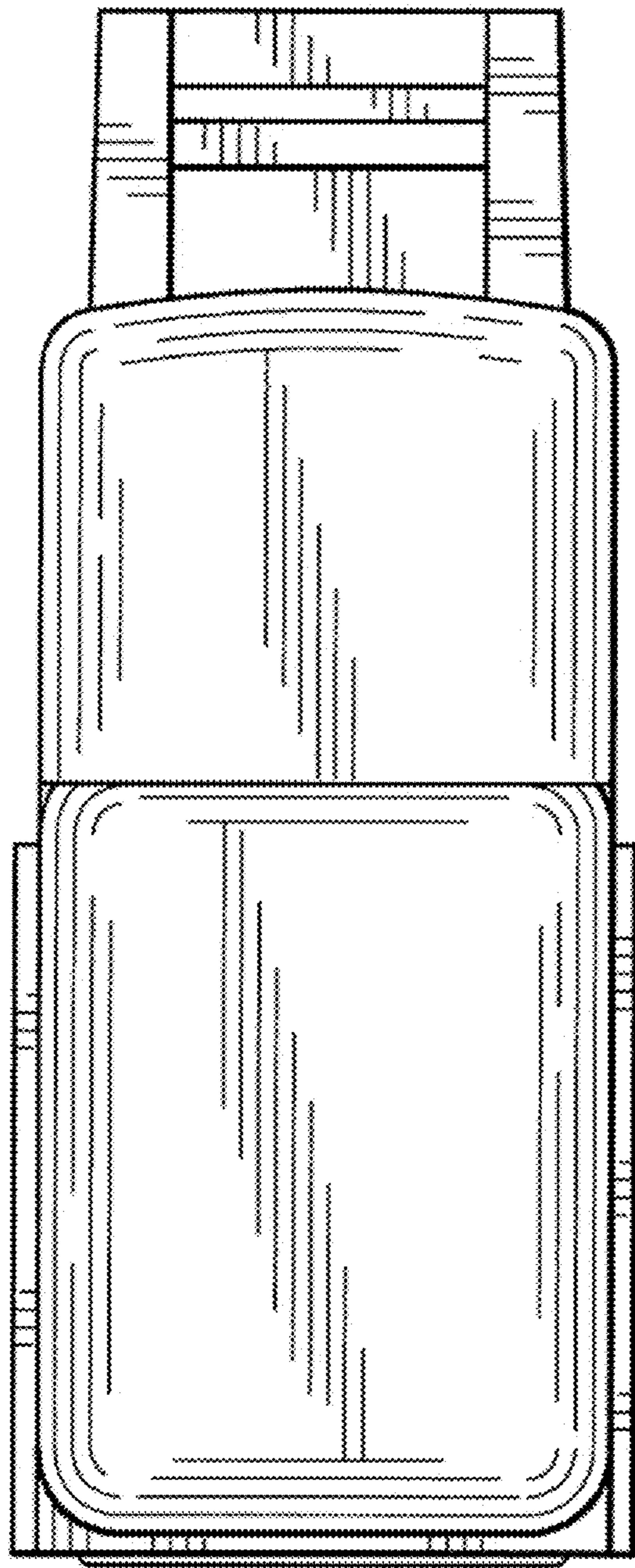


FIG. 5

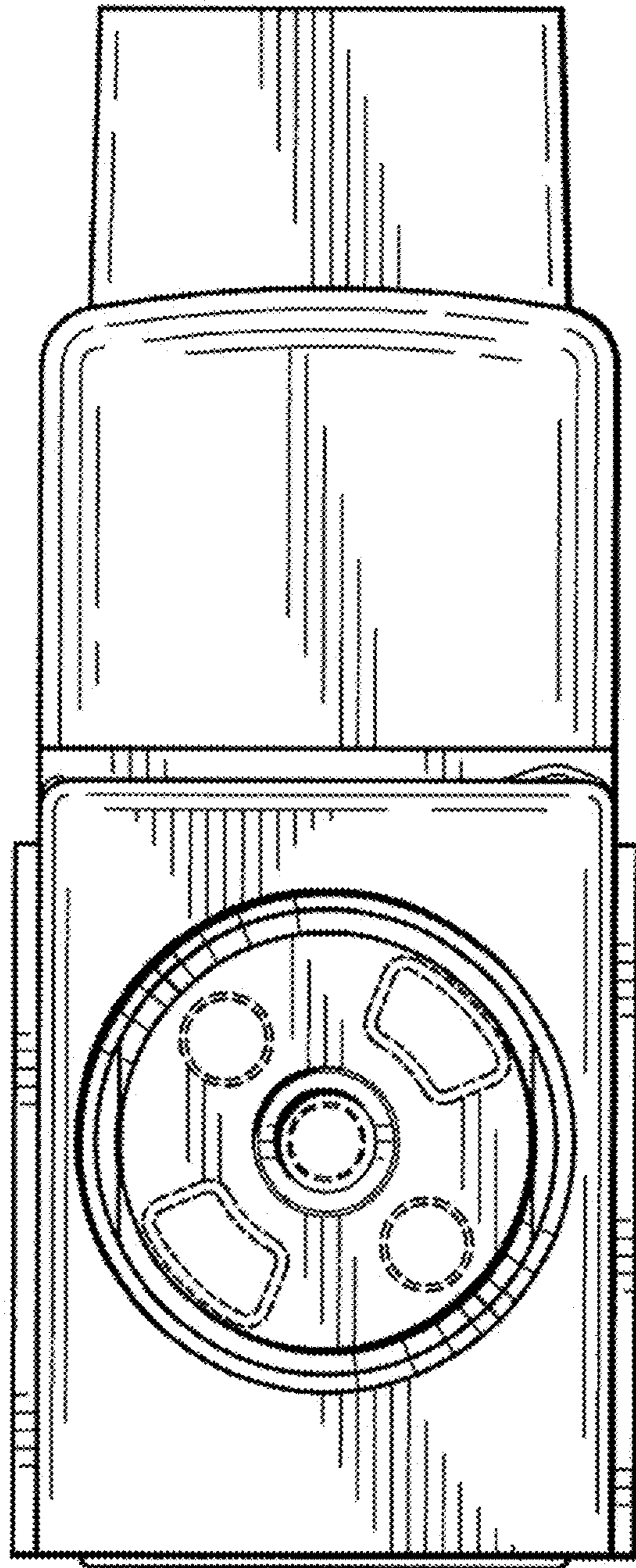


FIG. 6

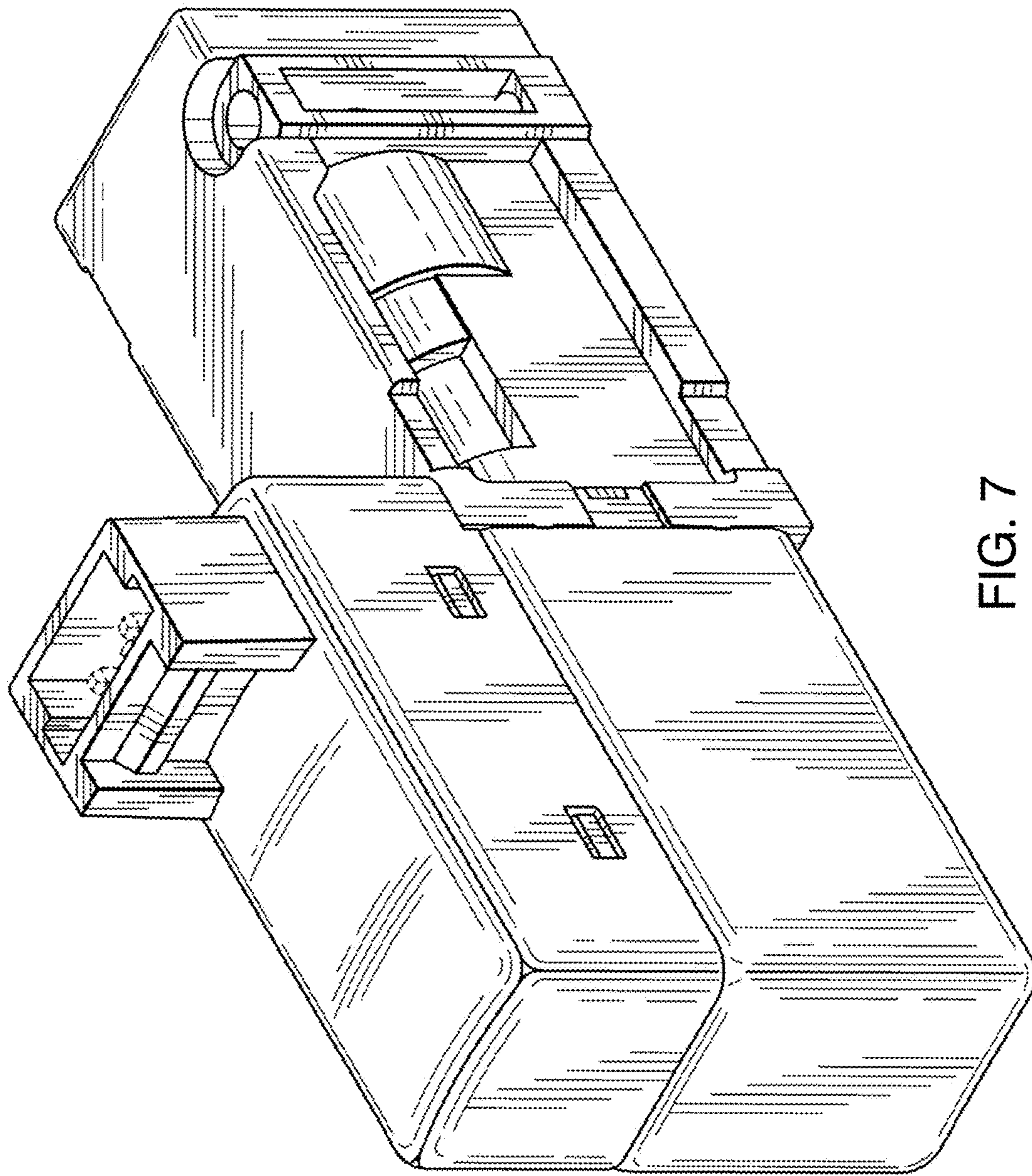


FIG. 7



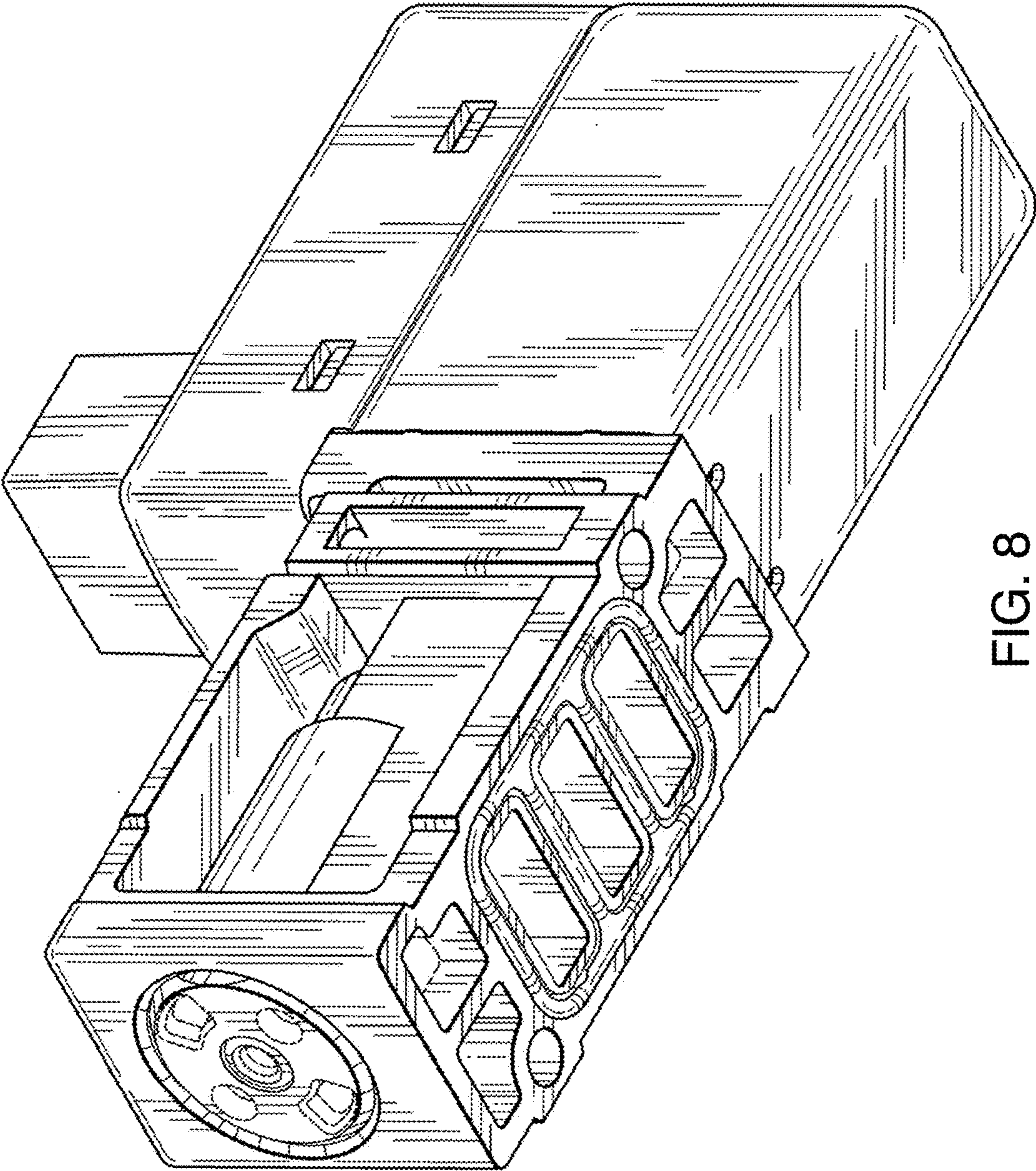


FIG. 8