



US00D828498S

(12) **United States Design Patent**
Doi et al.

(10) **Patent No.:** **US D828,498 S**

(45) **Date of Patent:** **** Sep. 11, 2018**

(54) **ELECTROMAGNETIC VALVE**

(71) Applicant: **SMC CORPORATION**, Chiyoda-ku
(JP)

(72) Inventors: **Yoshitada Doi**, Koshigaya (JP);
Makoto Nomura, Moriya (JP); **Shinya**
Yamasaki, Moriya (JP)

(73) Assignee: **SMC CORPORATION**, Chiyoda-ku
(JP)

(**) Term: **15 Years**

(21) Appl. No.: **29/598,716**

(22) Filed: **Mar. 28, 2017**

(30) **Foreign Application Priority Data**

Oct. 12, 2016 (JP) 2016-022127

(51) **LOC (11) Cl.** **23-01**

(52) **U.S. Cl.**

USPC **D23/233**

(58) **Field of Classification Search**

USPC D23/233, 235, 237, 241, 247, 248, 249;
251/129.15, 129.2, 129.01; 137/487.5,
137/909

CPC F16K 31/0675; F16K 27/029; F16K 31/06;
F16K 31/082; F16K 27/048

See application file for complete search history.

(56) **References Cited**

U.S. PATENT DOCUMENTS

D443,030 S * 5/2001 Kaneko D23/233
D459,441 S * 6/2002 Hayashi D23/233

D533,254 S * 12/2006 Miyazoe D23/233
D533,255 S * 12/2006 Miyazoe D23/233
D720,043 S * 12/2014 Nishiyama D23/233
D728,744 S * 5/2015 Nishiyama D23/233
D783,126 S * 4/2017 Morodomi D23/233

* cited by examiner

Primary Examiner — Cynthia Ramirez

Assistant Examiner — Gino Colan

(74) *Attorney, Agent, or Firm* — Oblon, McClelland,
Maier & Neustadt, L.L.P.

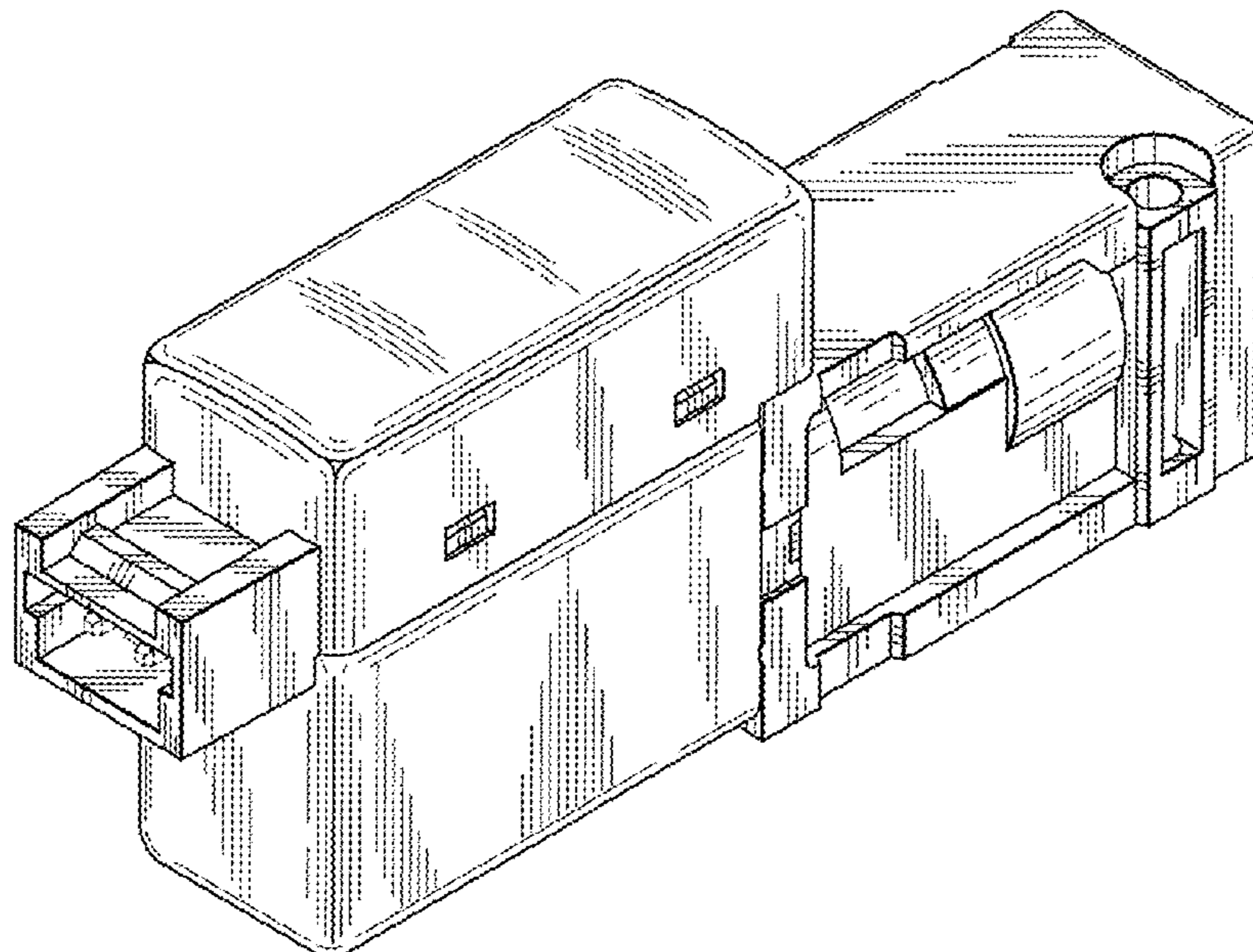
(57) **CLAIM**

The ornamental design for an electromagnetic valve, as shown and described.

DESCRIPTION

FIG. 1 is a front elevation view of an electromagnetic valve showing our new design;
FIG. 2 is a rear elevation view thereof;
FIG. 3 is a top plan view thereof;
FIG. 4 is a bottom plan view thereof;
FIG. 5 is a left side elevation view thereof;
FIG. 6 is a right side elevation view thereof;
FIG. 7 is a front left top perspective view thereof; and,
FIG. 8 is a rear right bottom perspective view thereof.
The broken lines in the drawings illustrate portions of the electromagnetic valve that form no part of the claimed design.

1 Claim, 8 Drawing Sheets



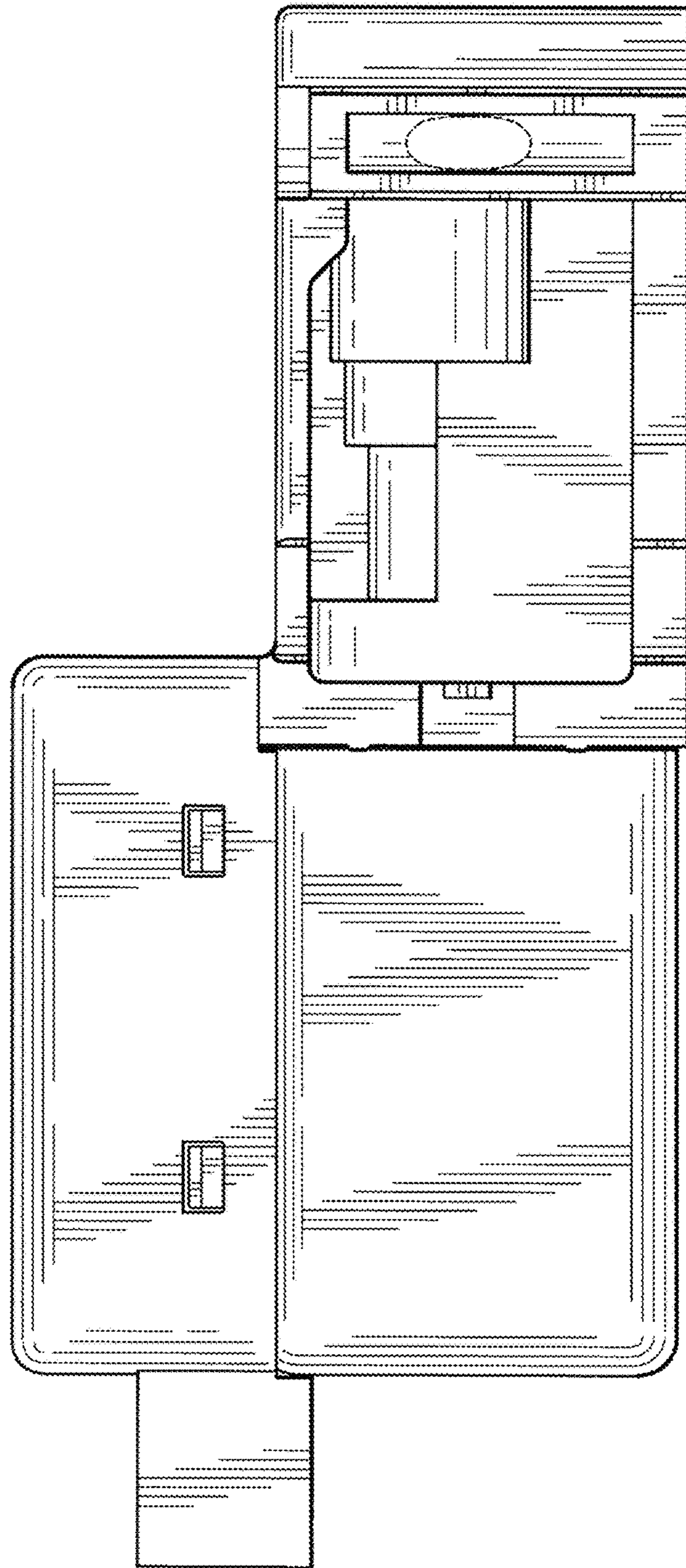


FIG. 1

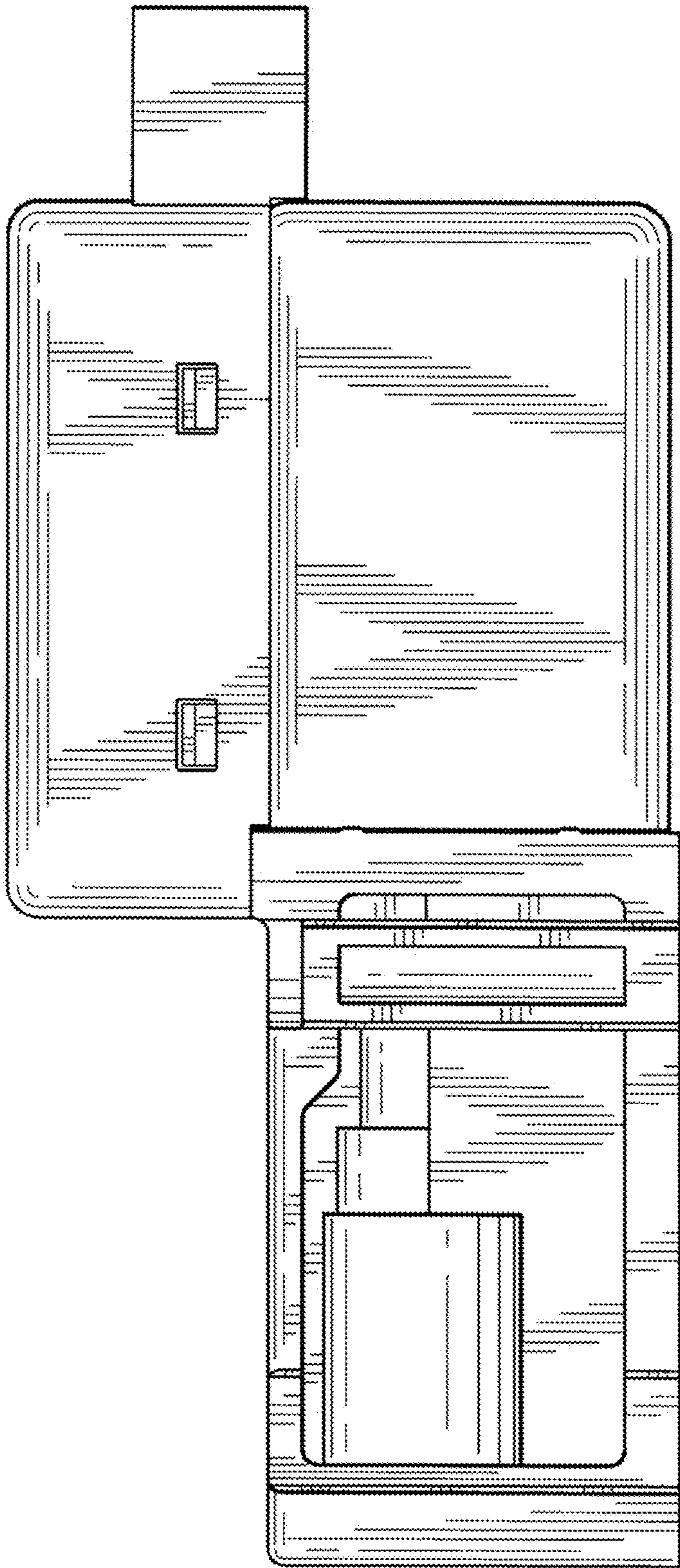


FIG. 2

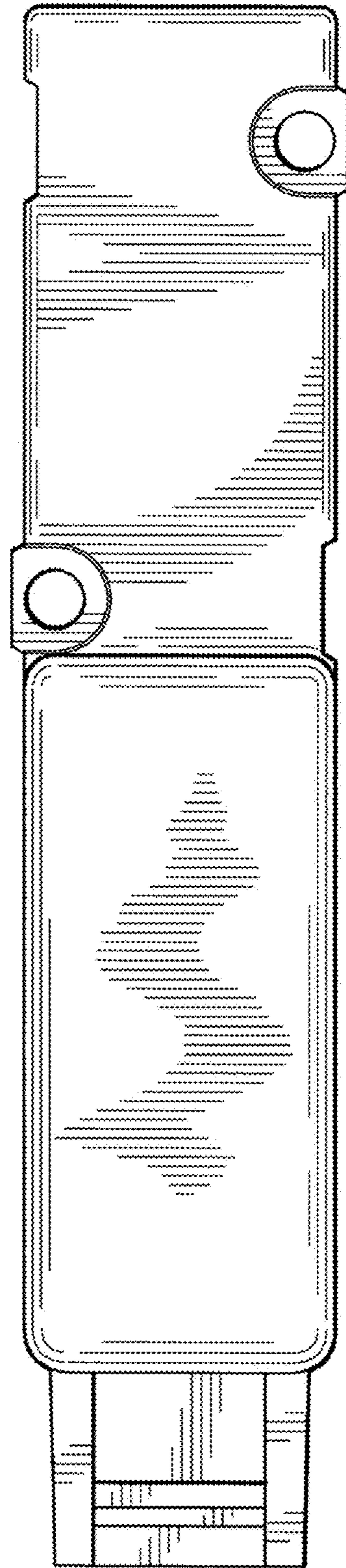


FIG. 3

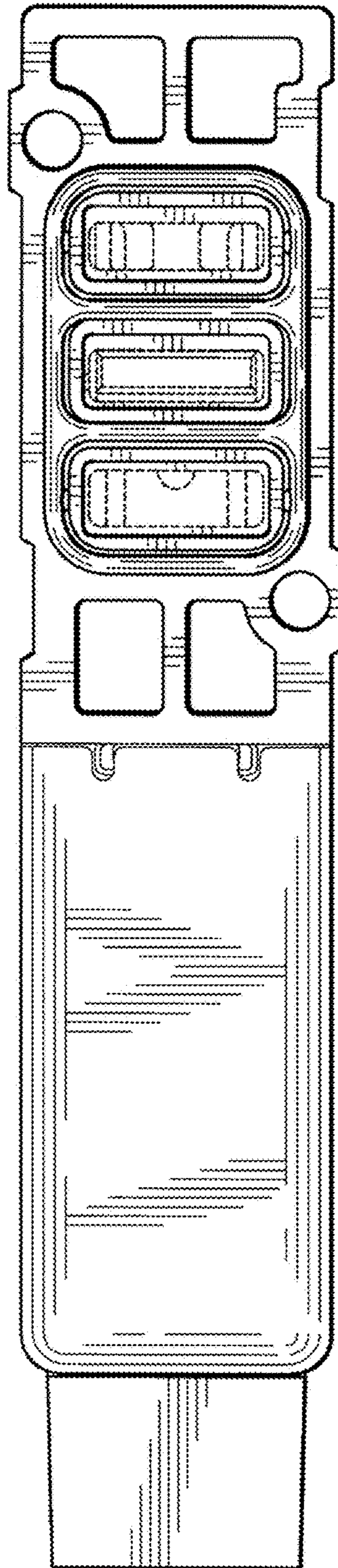


FIG. 4

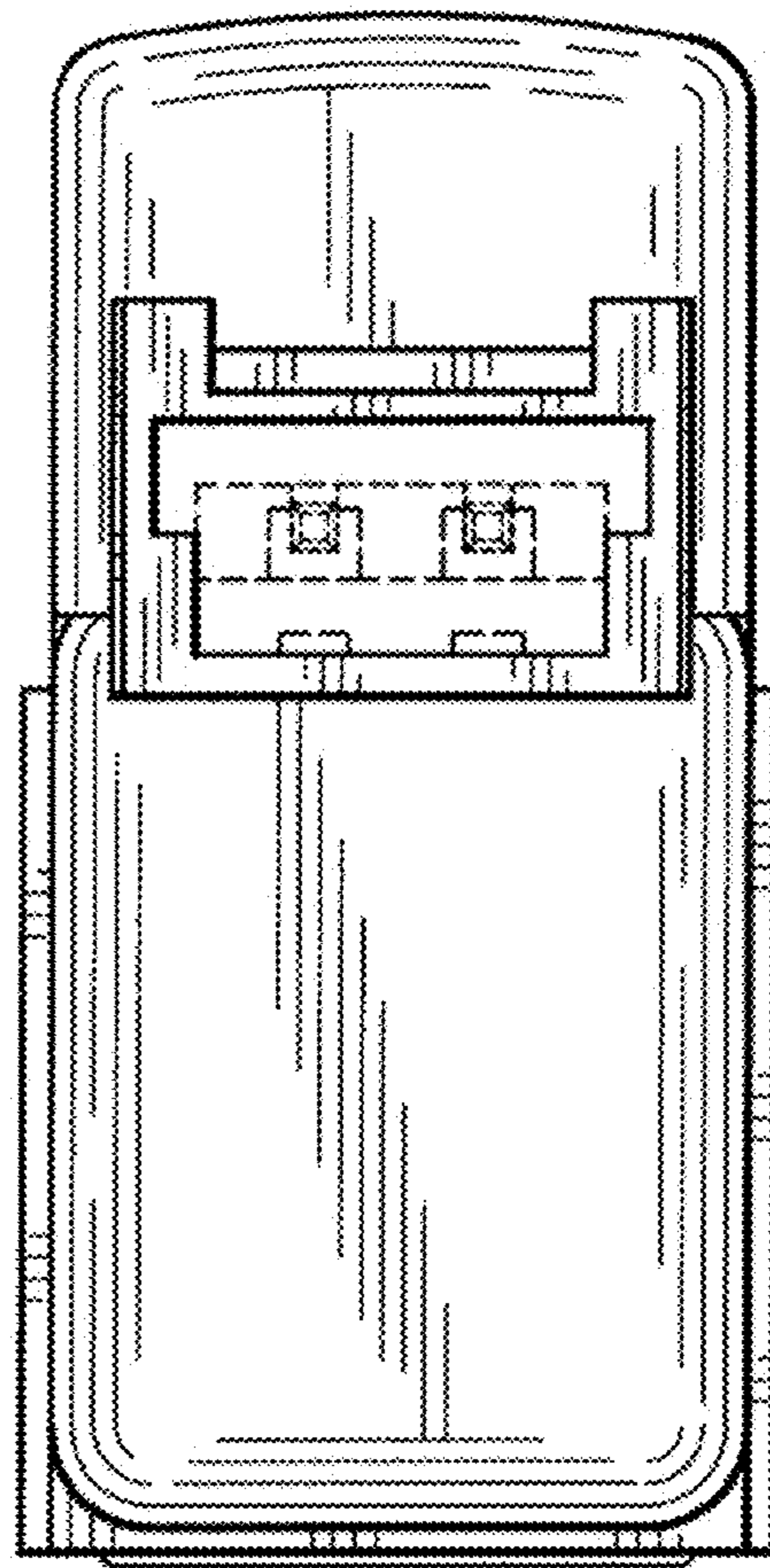


FIG. 5

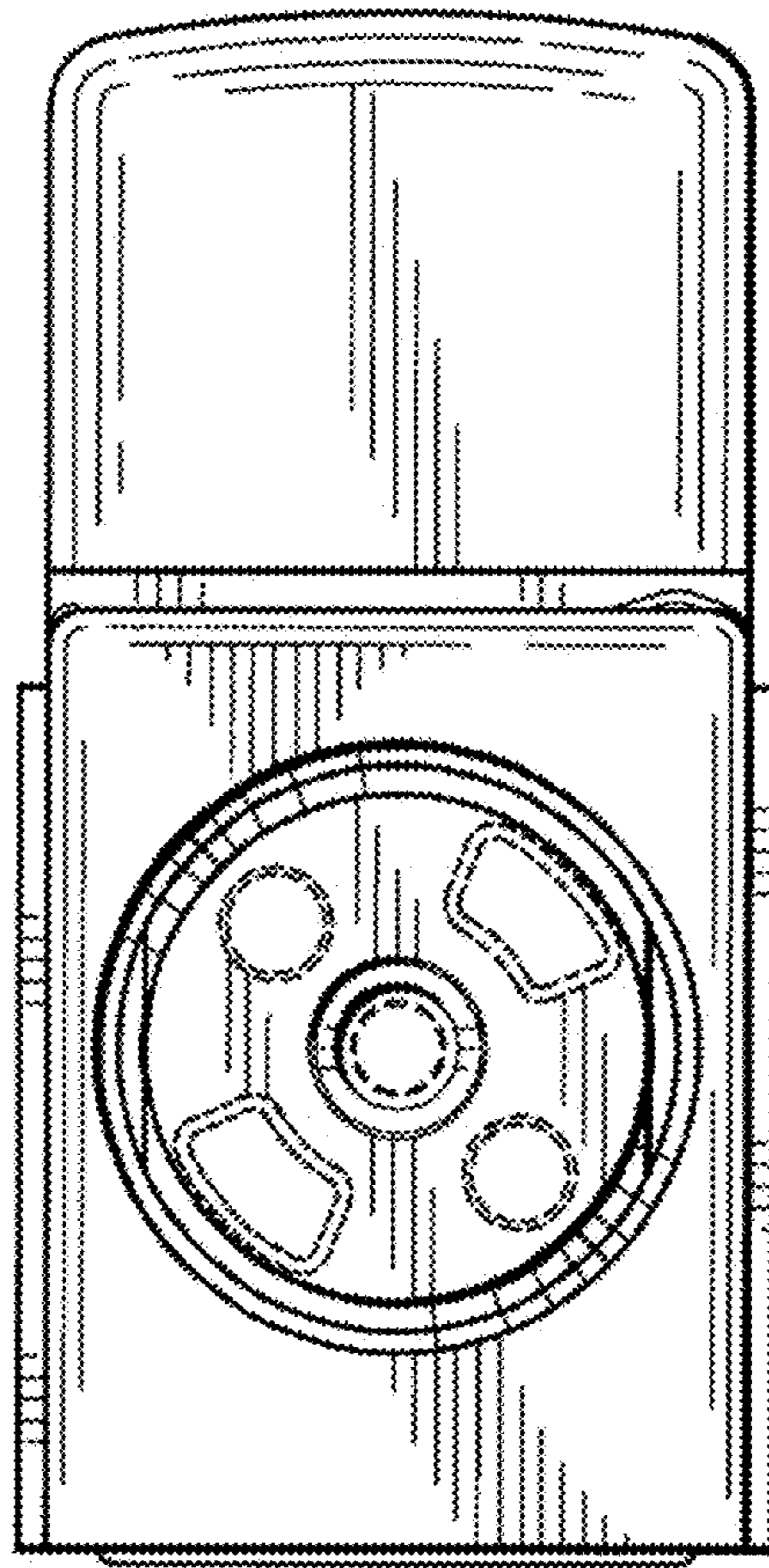


FIG. 6

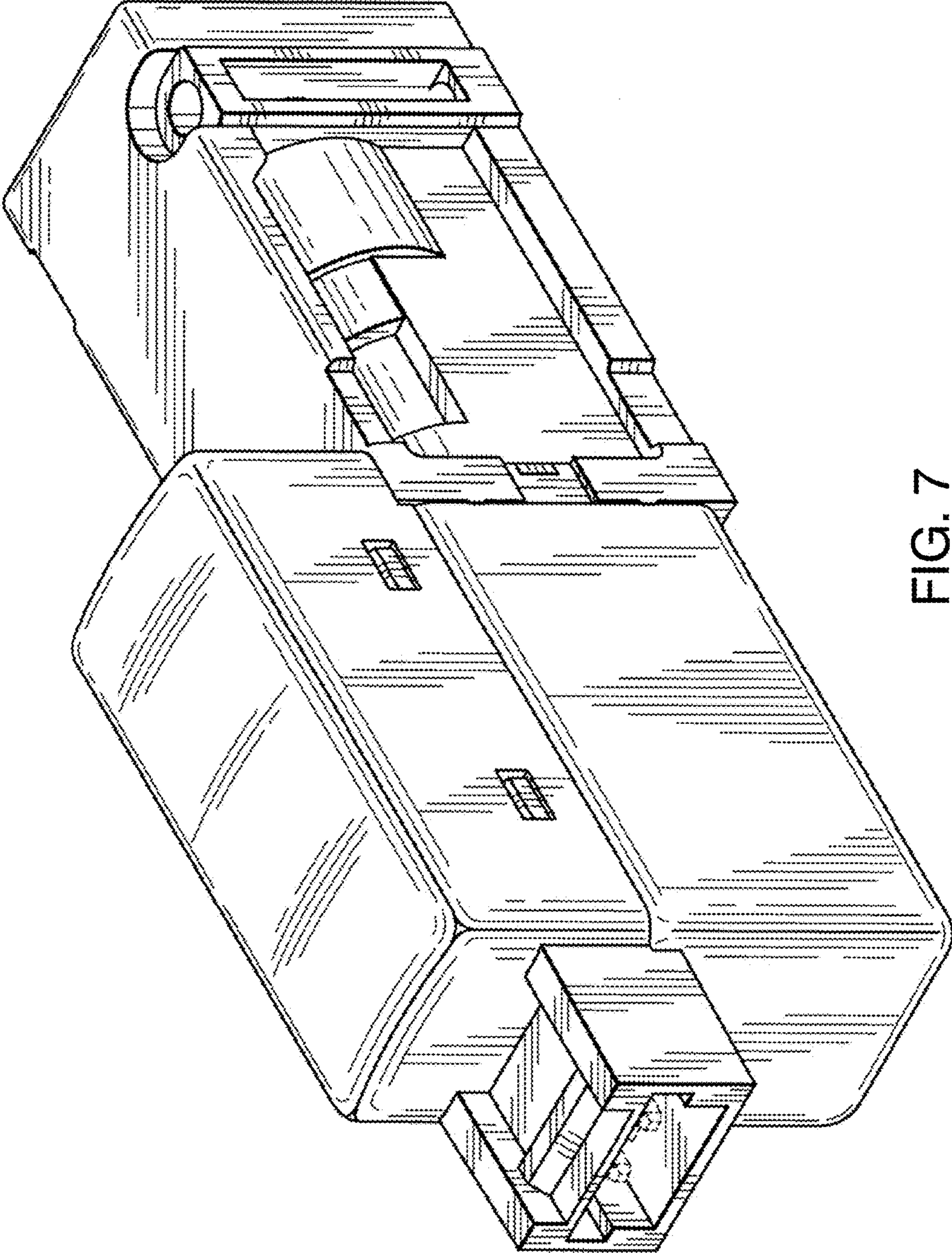


FIG. 7

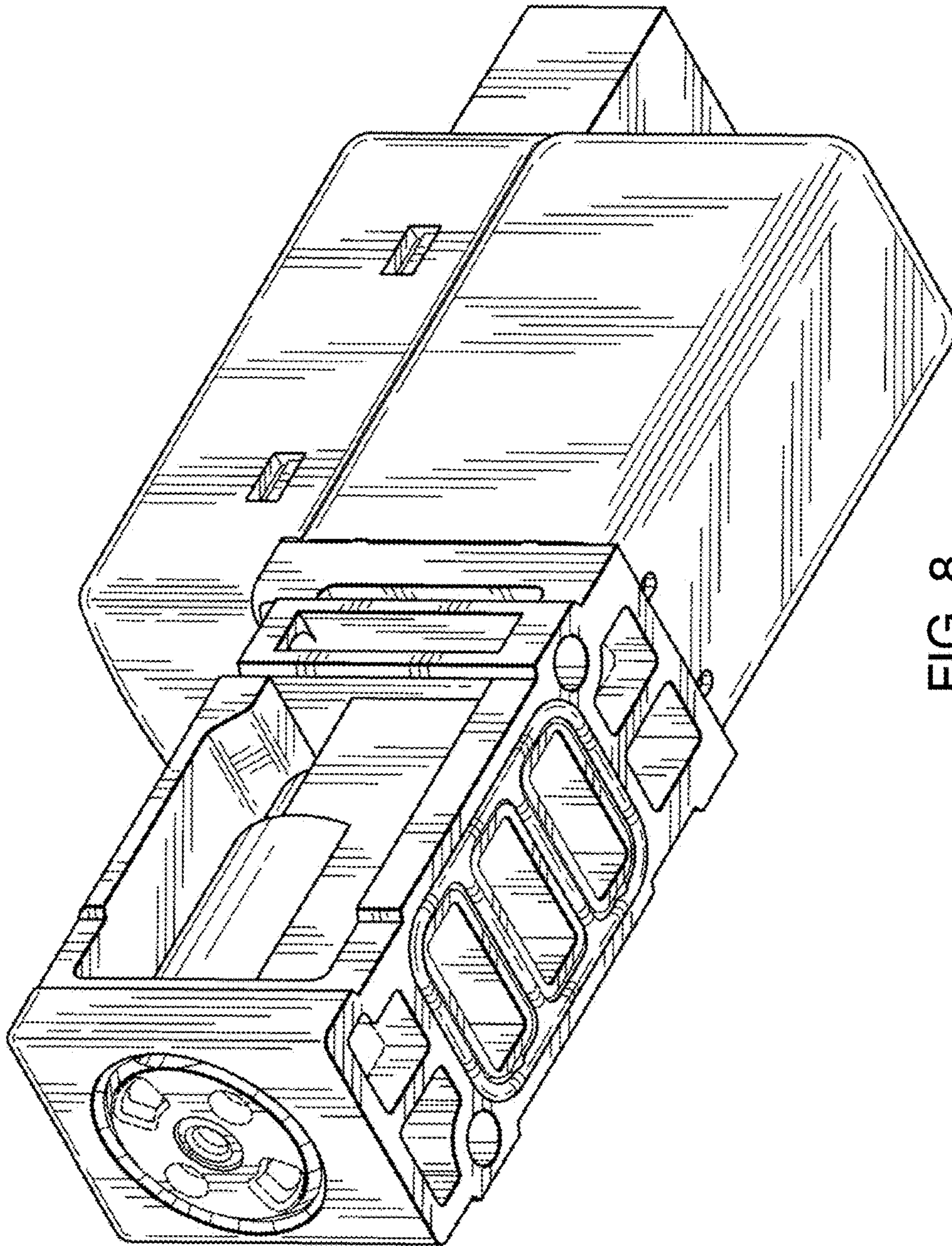


FIG. 8