



US00D828495S

(12) **United States Design Patent**
Mazur et al.

(10) **Patent No.:** **US D828,495 S**
(45) **Date of Patent:** **** Sep. 11, 2018**

(54) **SPRAYER**

(71) Applicant: **J. WAGNER GMBH**, Markdorf (DE)

(72) Inventors: **Matthias Mazur**, Hamburg (DE);
Holger Stohl, Markdorf (DE); **Bjoern Freisinger**, Krauchenwies (DE); **Jens Ulbrich**, Friedrichshafen (DE)

(73) Assignee: **J.Wagner GmbH**, Markdorf (DE)

(**) Term: **15 Years**

(21) Appl. No.: **29/605,689**

(22) Filed: **May 30, 2017**

(51) **LOC (11) Cl.** **23-01**

(52) **U.S. Cl.**
USPC **D23/225**

(58) **Field of Classification Search**
USPC D23/213, 225, 202; 239/152–154, 337,
239/373, 302, 308, 312, 317
CPC B05B 9/08; B05B 9/0816; B05B 7/2443;
B05B 7/2408; B05B 7/2421
See application file for complete search history.

(56) **References Cited**

U.S. PATENT DOCUMENTS

D519,603 S * 4/2006 Schumann D23/225
D567,332 S * 4/2008 Nathan D23/225

D664,628 S * 7/2012 Zhou D23/225
D693,428 S * 11/2013 Tullney D23/225
D713,500 S * 9/2014 Muhl D23/225
D723,659 S * 3/2015 Tullney D23/225
D809,099 S * 1/2018 Tullney D23/225

* cited by examiner

Primary Examiner — Robin Valery Webster

(74) *Attorney, Agent, or Firm* — Burr & Brown, PLLC

(57) **CLAIM**

The ornamental design for a sprayer, as shown and described.

DESCRIPTION

FIG. 1 is a front perspective view of a sprayer illustrating our new design;

FIG. 2 is a left side view thereof;

FIG. 3 is a right side view thereof;

FIG. 4 is a front view thereof;

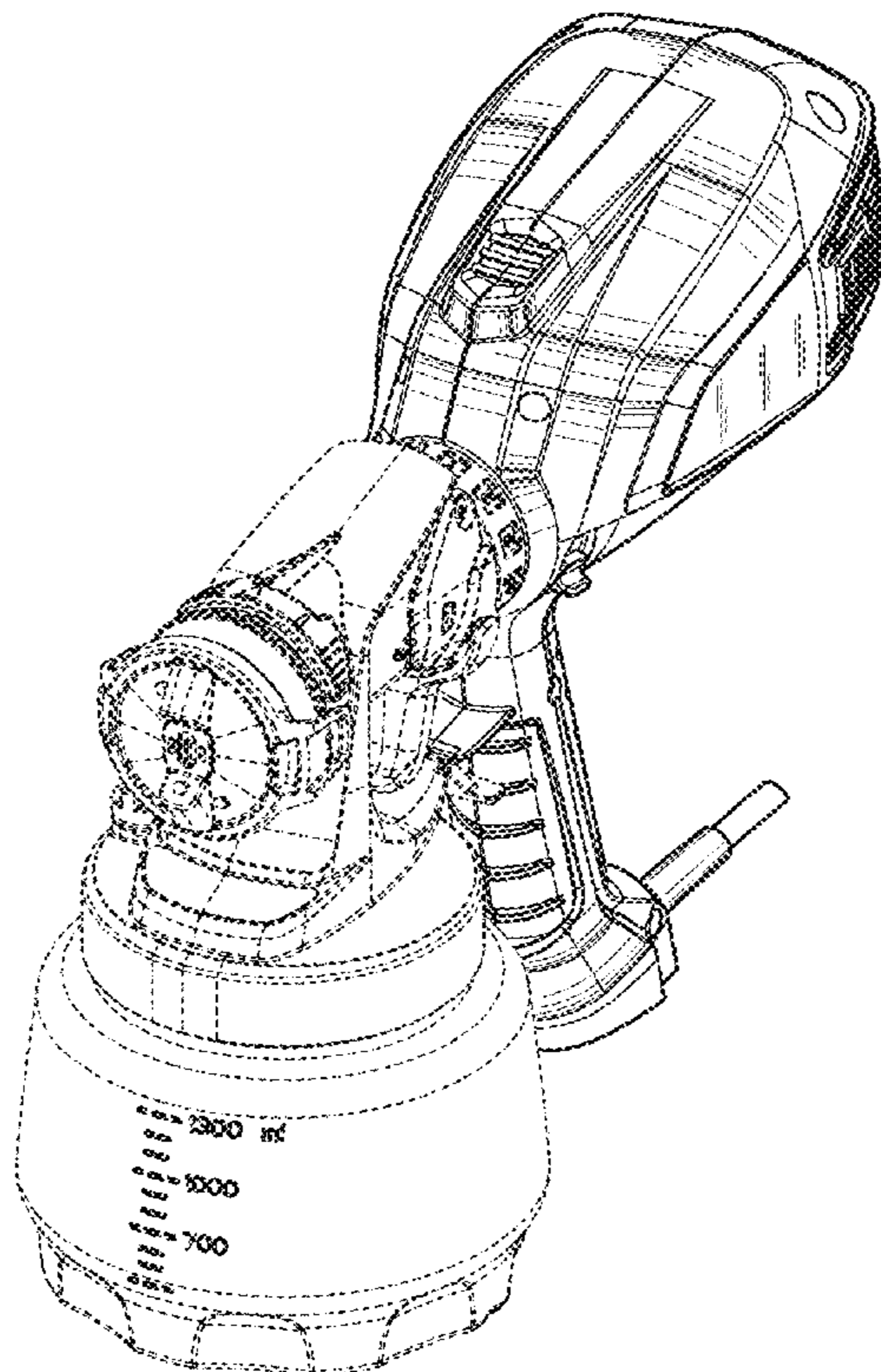
FIG. 5 is a rear view thereof;

FIG. 6 is a top view thereof; and,

FIG. 7 is a bottom view thereof.

The broken lines in the drawings depict unclaimed subject matter only and form no part of the claimed design.

1 Claim, 7 Drawing Sheets



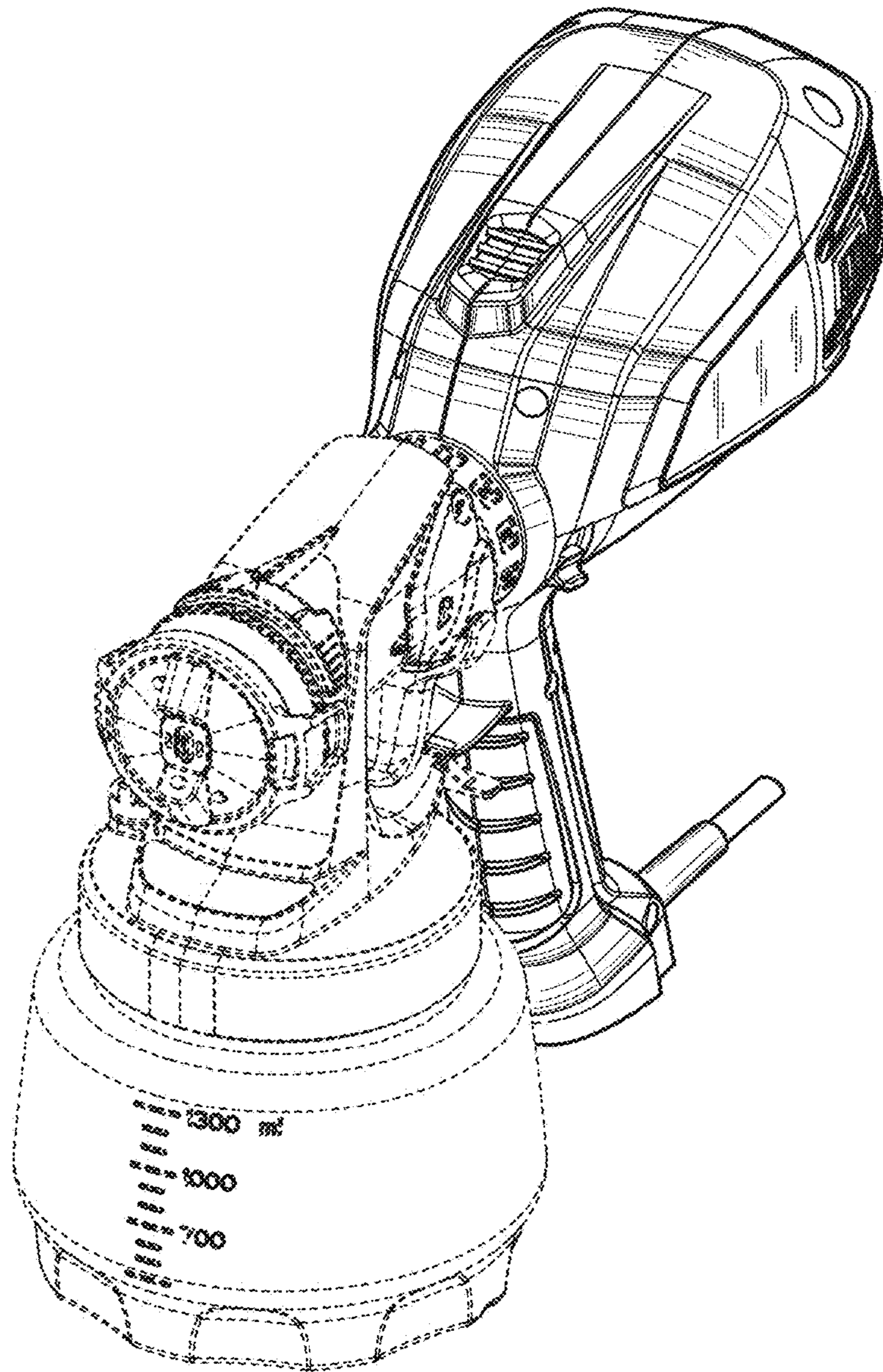


FIG. 1

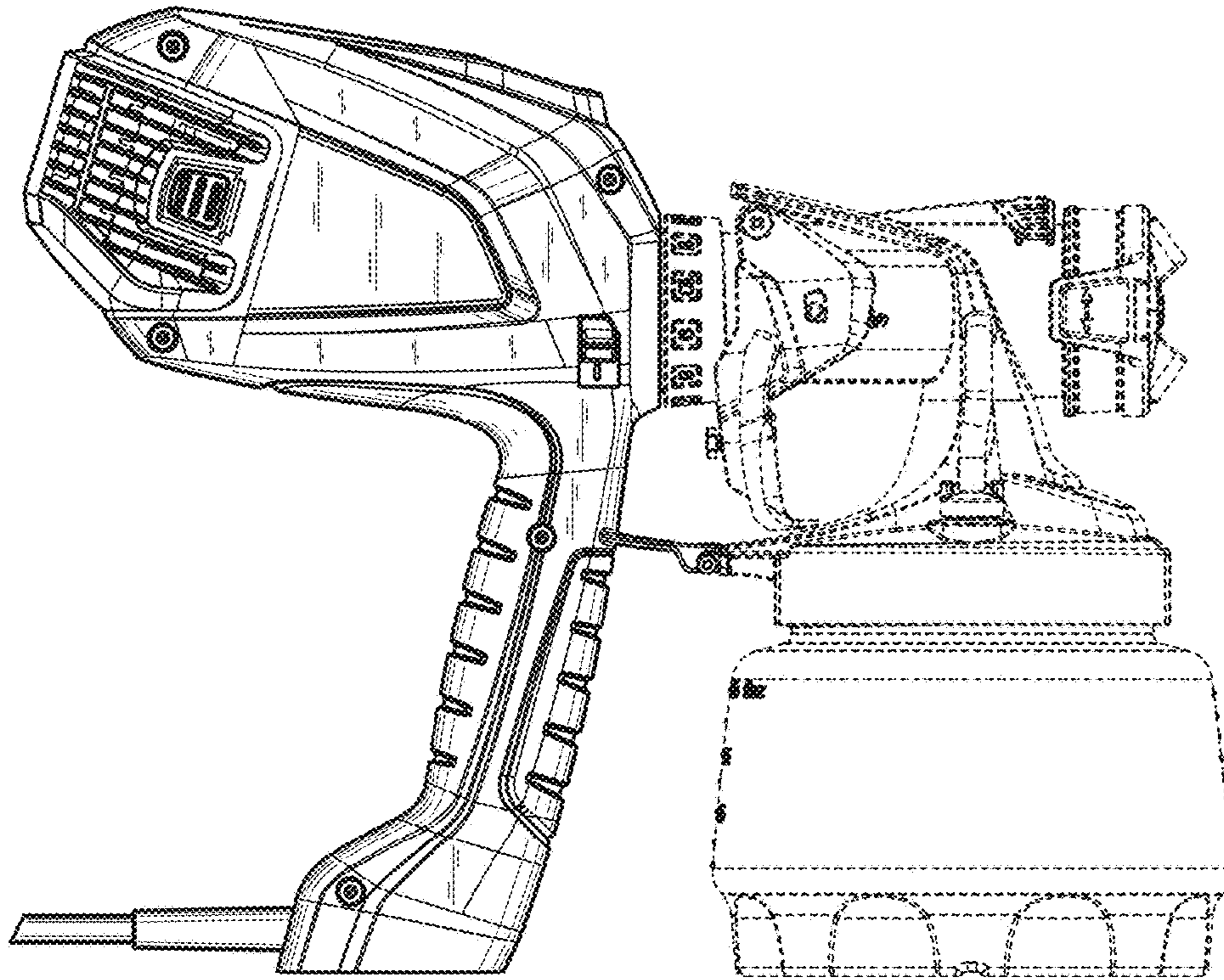


FIG. 2

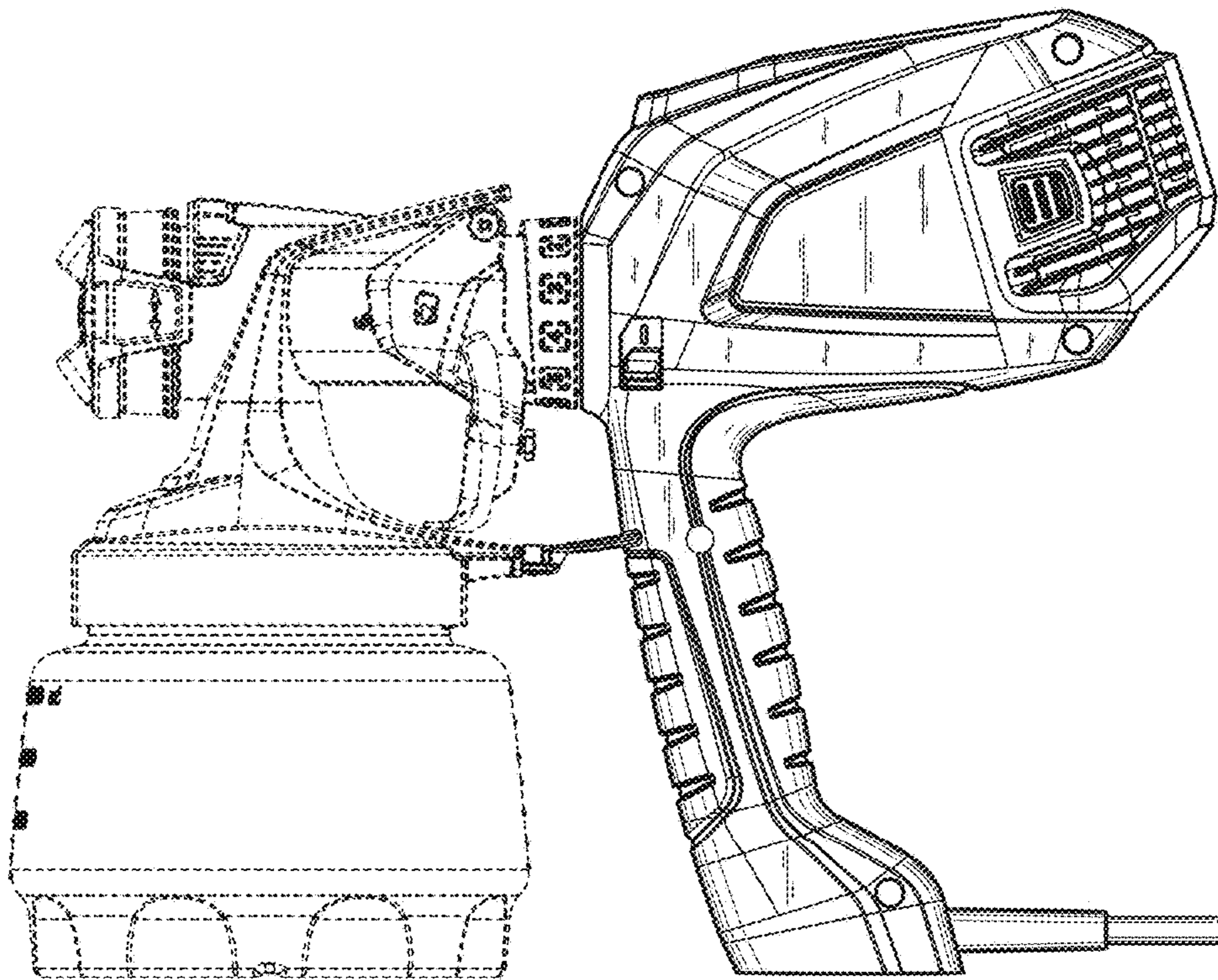


FIG. 3

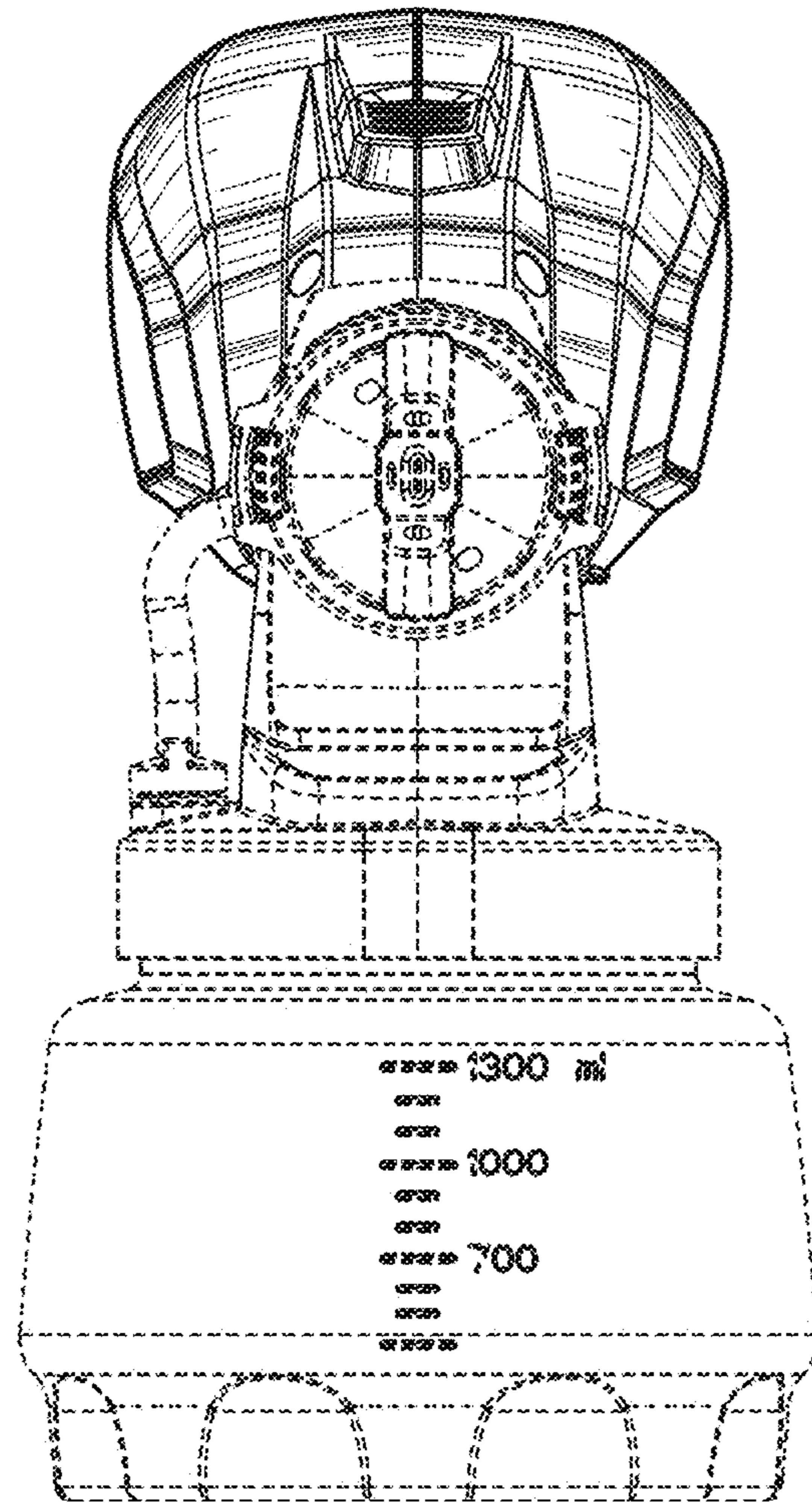


FIG. 4

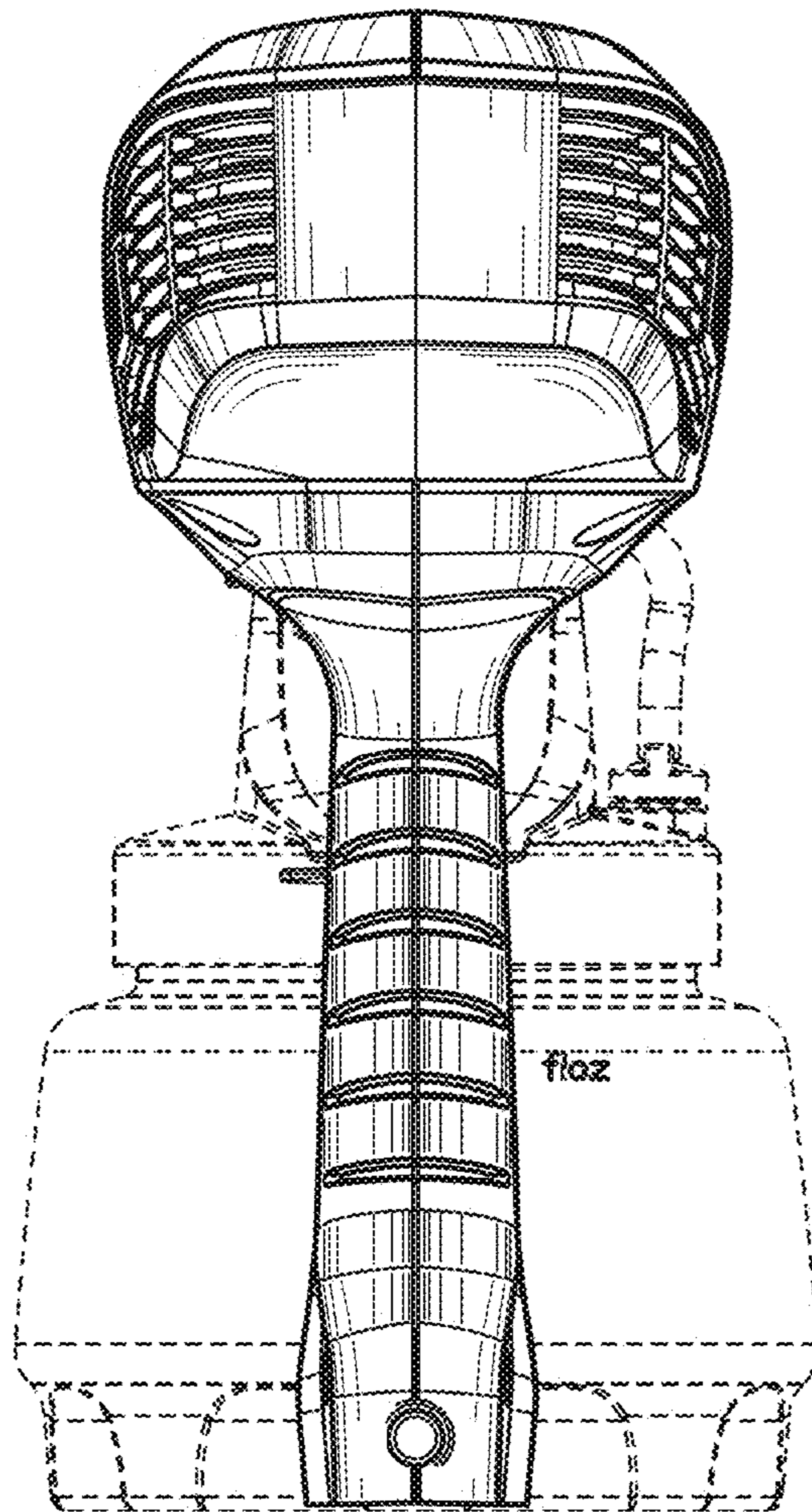


FIG. 5

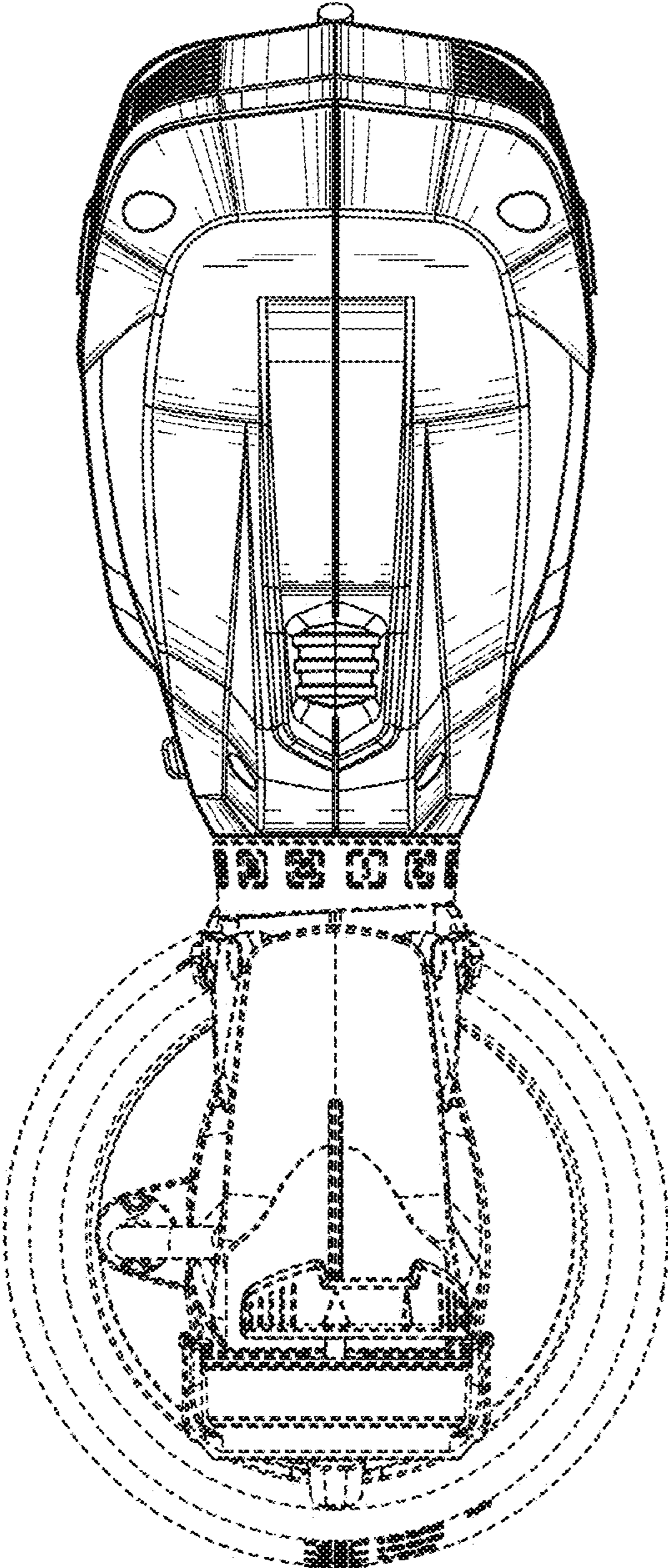


FIG. 6

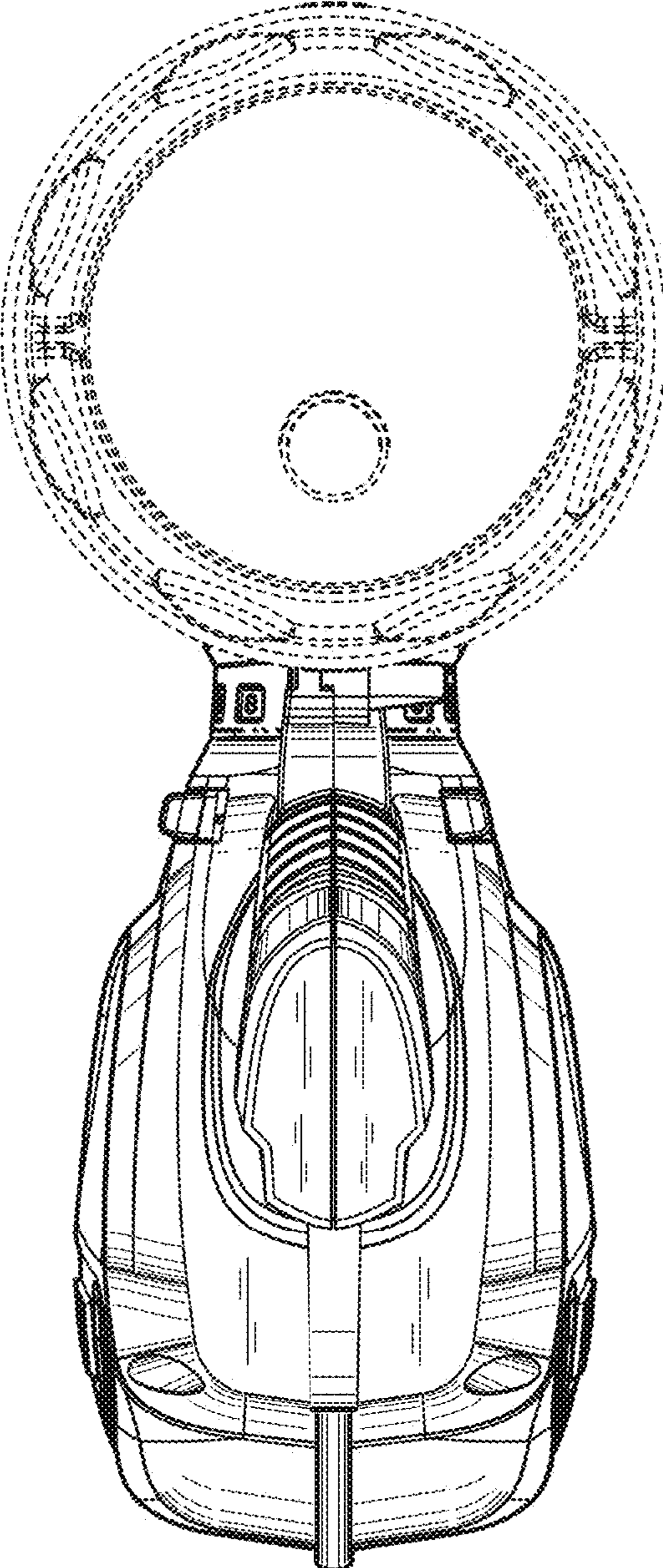


FIG. 7