



US00D828494S

(12) **United States Design Patent** (10) **Patent No.:** **US D828,494 S**
Horeth (45) **Date of Patent:** **** Sep. 11, 2018**

(54) **SPRAYER**

(71) Applicant: **Chapin Manufacturing, Inc.**, Batavia, NY (US)

(72) Inventor: **Edward J. Horeth**, Rochester, NY (US)

(73) Assignee: **Chapin Manufacturing, Inc.**, Batavia, NY (US)

(**) Term: **15 Years**

(21) Appl. No.: **29/599,807**

(22) Filed: **Apr. 6, 2017**

(51) **LOC (11) Cl.** **23-01**

(52) **U.S. Cl.**
USPC **D23/223**

(58) **Field of Classification Search**
USPC D23/213, 223, 226; D8/2;
239/532
CPC B05B 15/061; B05B 1/00; B05B 5/00; B05B
1/005; B05B 3/00; B05B 9/01; B05B
7/1209

See application file for complete search history.

(56) **References Cited**

U.S. PATENT DOCUMENTS

D294,965	S	*	3/1988	Garrard	D23/223
5,108,036	A	*	4/1992	Gill	A01M 7/0028 239/525
D466,183	S	*	11/2002	Tse	D23/213
D491,252	S	*	6/2004	Chen	D23/223
D502,759	S	*	3/2005	Smoot	D23/213
D512,121	S	*	11/2005	Chen	D23/223
D682,988	S	*	5/2013	Hobbs	D23/223
D699,814	S	*	2/2014	Ondarra	D23/226
D754,285	S	*	4/2016	Helton	D23/223
2014/0166767	A1		6/2014	Michael et al.		

OTHER PUBLICATIONS

Blue Viper Precision Lawn and Garden Sprayer, <http://www.blueviper.com/blueviperprecisionweedsprayer-3.aspx>, printed Apr. 4, 2017.

Gardening Tools, Garden Weasel Weed Ball Weed Applicator, <http://auroragardeningtools.blogspot.com/2012/04/garden-weasel-weed-ball-weed-applicator.html>, printed Apr. 4, 2017.

Mankar, Ultra-Low Volume Herbicide Applicators, Mankar HQ 45, <http://www.mankarulv.com/mankar-hq-ulv-sprayer>, printed Apr. 4, 2017.

Pulmipur Hand Held CDA / ULV Herbicide Sprayer—Red, <http://www.oescoinc.com/pulmipur-hand-held-controlled-droplet-applicator-ultra-low-volume-herbicide-sprayer.html>, printed Apr. 4, 2017.

Weed Blaster Pro Weedblaster Pro Hand Sprayer, <https://www.influenster.com/reviews/weed-blaster-pro-weedblaster-pro-habd-sprayer>, printed Apr. 4, 2017.

(Continued)

Primary Examiner — Robin V Webster

(74) *Attorney, Agent, or Firm* — Woods Oviatt Gilman LLP; Katherine H. McGuire, Esq.

(57) **CLAIM**

The ornamental design for a sprayer, as shown and described.

DESCRIPTION

FIG. 1 is a perspective view looking downwardly from the right side of the rear of a sprayer in accordance with my design;

FIG. 2 is a perspective view looking upwardly from the right side of the front thereof;

FIG. 3 is a top view thereof;

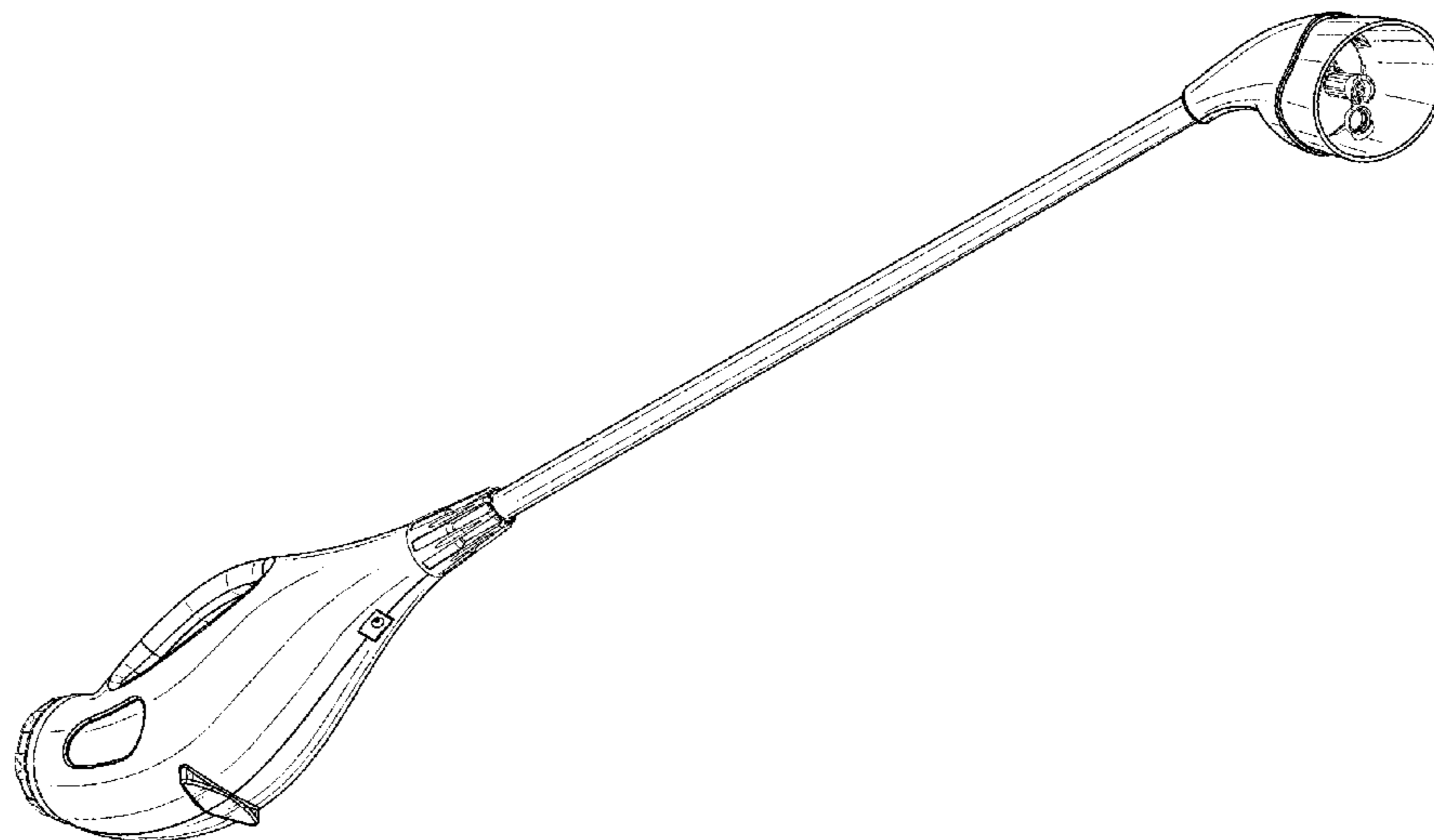
FIG. 4 is a right side view thereof, the left side view thereof being a mirror image of the right side view;

FIG. 5 is a bottom view thereof;

FIG. 6 is a rear view thereof; and,

FIG. 7 is a front view thereof.

1 Claim, 4 Drawing Sheets



(56)

References Cited

OTHER PUBLICATIONS

Tecnomat Wonderweed 300 Spray Action Weed Spotter Weed Killer Stick, <http://www.ebay.com/itm/Tecnomat-Wonderweed-300-Spray-Action-Weed-Spotter-Weed-Killer-Stick-/271409817476>, printed Apr. 4, 2017.

Weedstick Chemical Applicator, <http://www.amleo.com/weedstick-chemical-applicator/p/DKWS/>, printed Apr. 4, 2017.

* cited by examiner

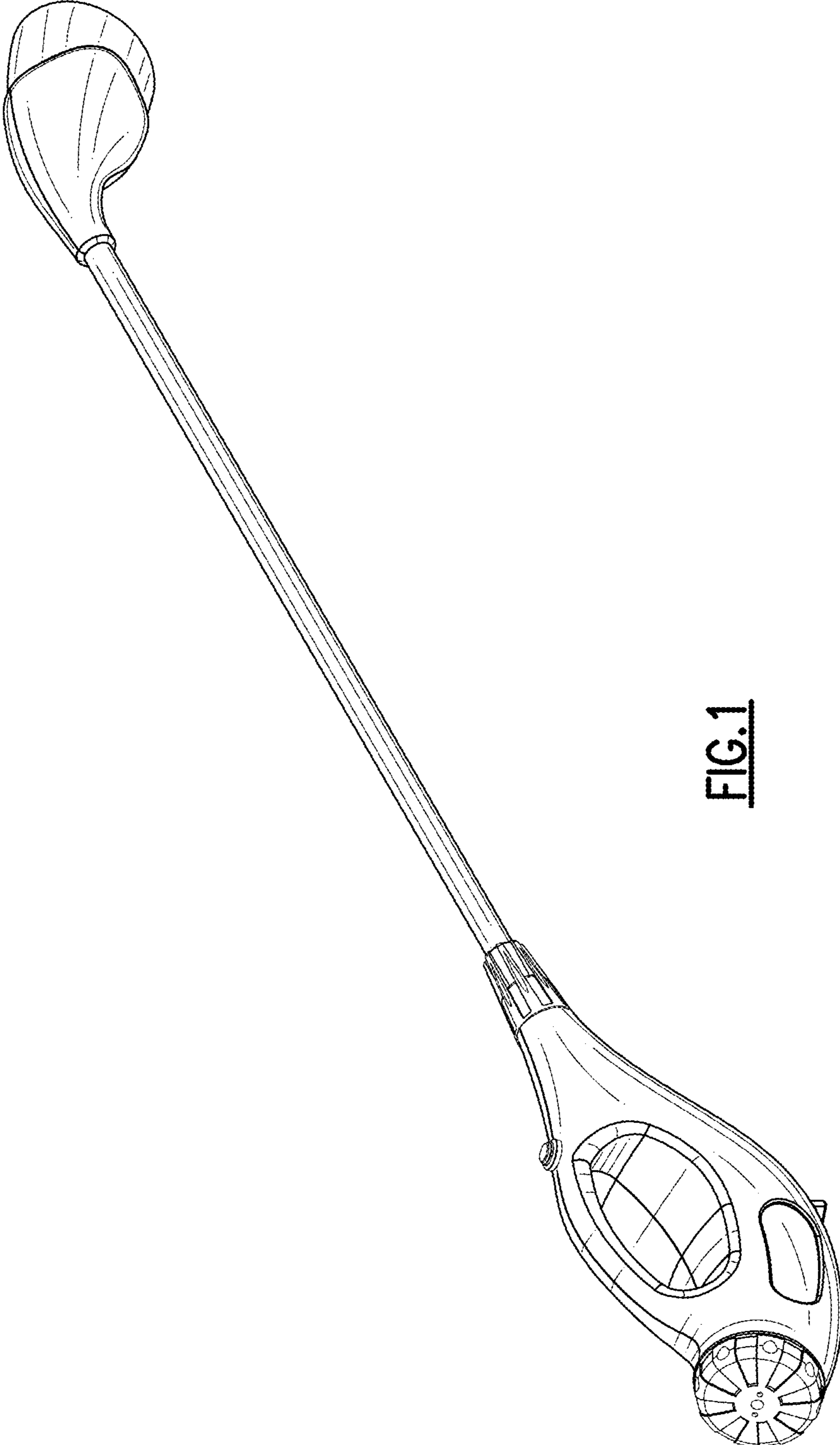


FIG. 1

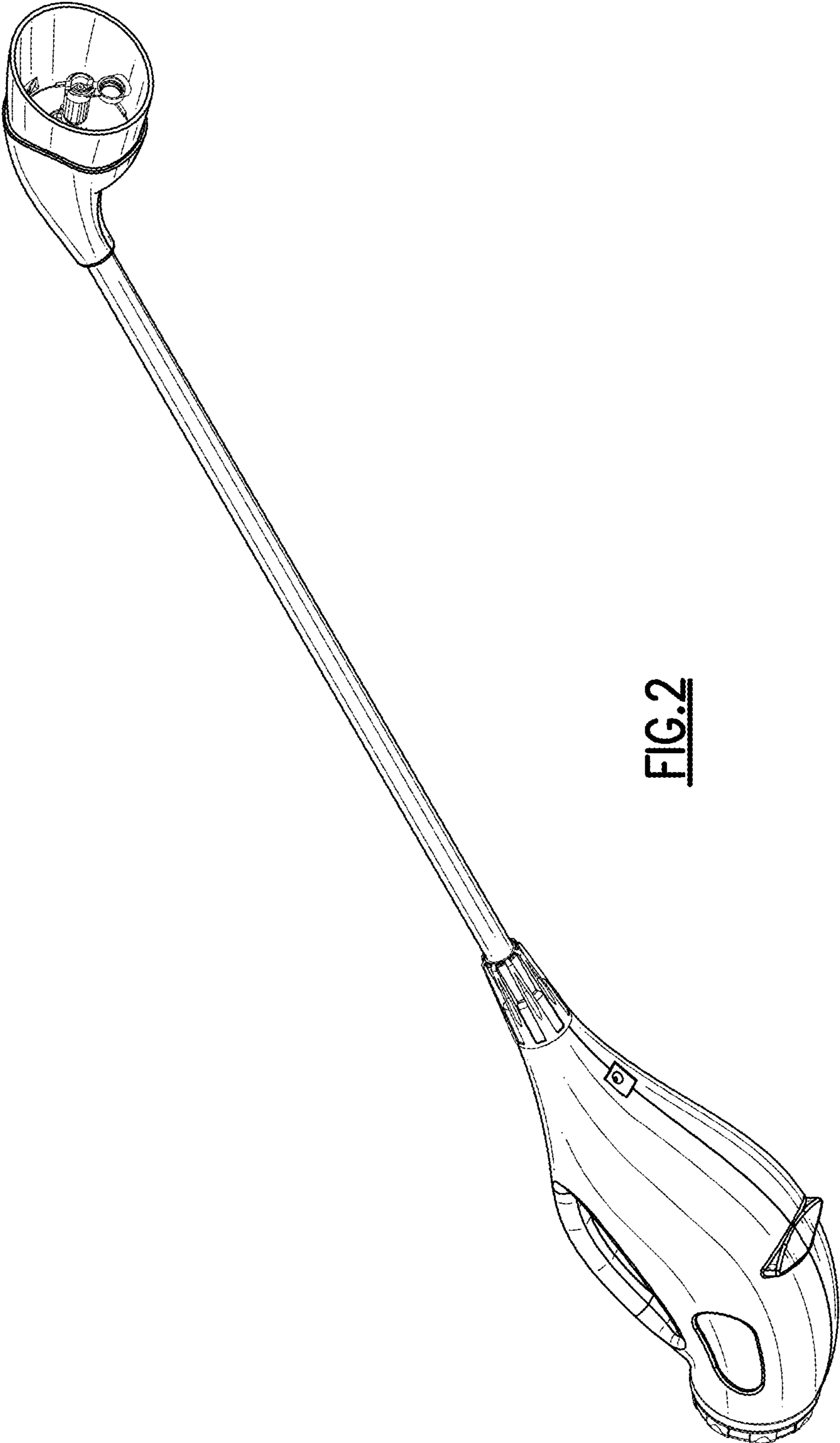


FIG. 2

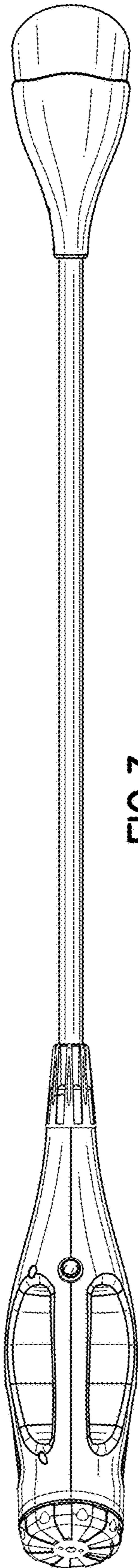


FIG. 3

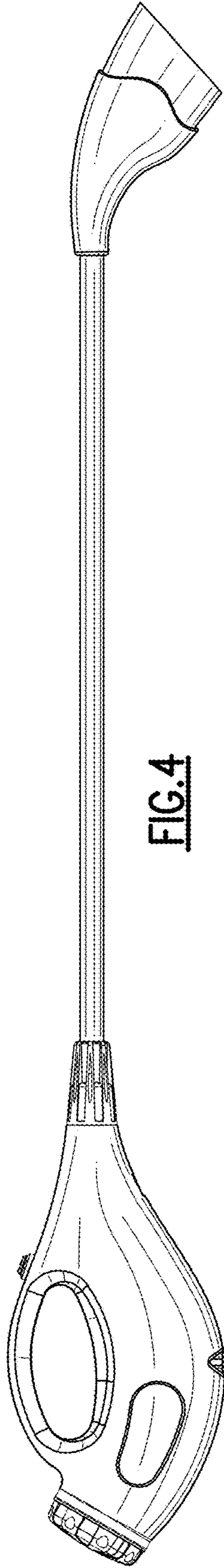


FIG. 4

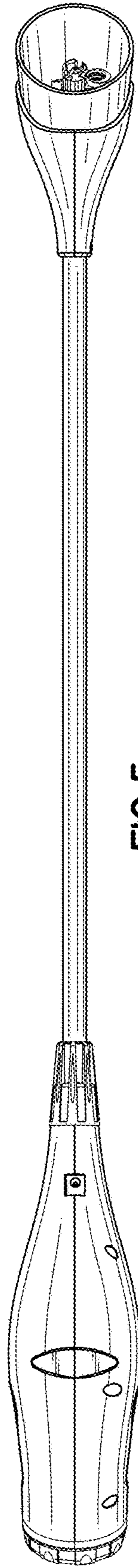


FIG. 5

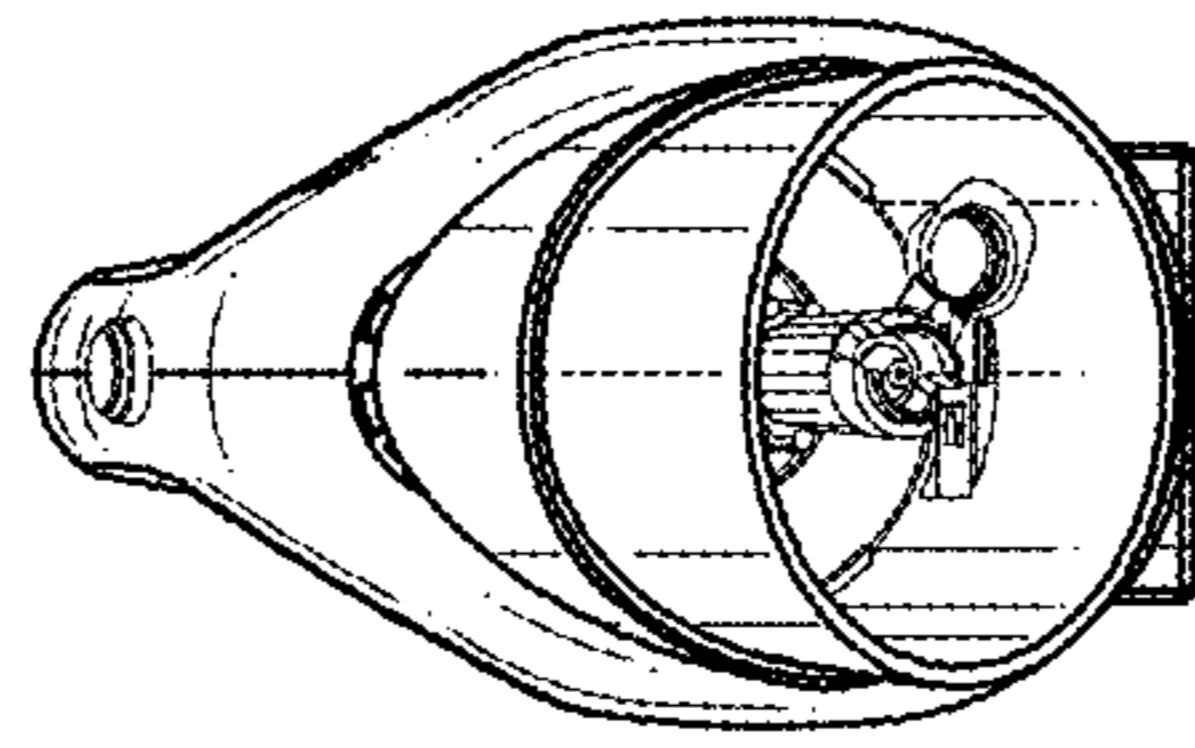


FIG. 7

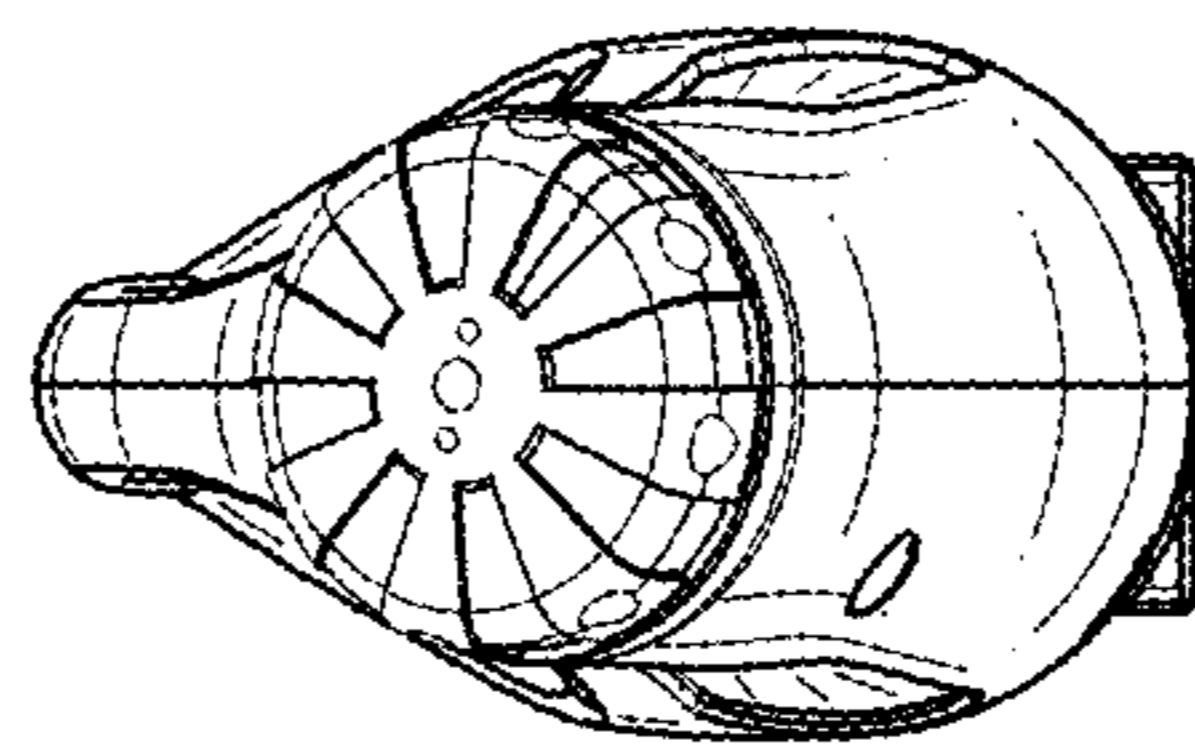


FIG. 6