



US00D828493S

(12) **United States Design Patent**
Vallo et al.

(10) **Patent No.:** **US D828,493 S**
(45) **Date of Patent:** **** Sep. 11, 2018**

(54) **SPRINKLER**

(71) Applicant: **Fiskars Oyj Abp**, Helsinki (FI)

(72) Inventors: **Nicholas Vallo**, Madison, WI (US);
Steven Farra, Madison, WI (US)

(73) Assignee: **Fiskars Oyj Abp**, Helsinki (FI)

(**) Term: **15 Years**

(21) Appl. No.: **29/600,636**

(22) Filed: **Apr. 13, 2017**

(51) **LOC (11) Cl.** **23-01**

(52) **U.S. Cl.**
USPC **D23/221**

(58) **Field of Classification Search**
USPC D23/213–219, 221; 239/273, 276, 242
CPC B05B 3/044; B05B 15/062; A01G 92/00
See application file for complete search history.

(56) **References Cited**

U.S. PATENT DOCUMENTS

D554,739 S	*	11/2007	Lo	D23/221
D559,352 S	*	1/2008	Lo	D23/221
D613,371 S	*	4/2010	Nies	D23/216
D615,153 S	*	5/2010	Cheng	D23/214
D615,610 S	*	5/2010	Cheng	D23/214
D615,612 S	*	5/2010	Cheng	D23/214
D616,063 S	*	5/2010	Cheng	D23/214

D620,552 S	*	7/2010	Mayher	D23/221
D652,484 S	*	1/2012	Nies	D23/221
D652,486 S	*	1/2012	Nies	D23/221
D702,813 S	*	4/2014	Vedantam	D23/221
D702,814 S	*	4/2014	Vedantam	D23/221

* cited by examiner

Primary Examiner — Robin V Webster

(74) *Attorney, Agent, or Firm* — Foley & Lardner LLP

(57) **CLAIM**

We claim the ornamental design for a sprinkler, as shown and described.

DESCRIPTION

FIG. 1 is a top perspective view of a sprinkler showing our new design;

FIG. 2 is front view thereof;

FIG. 3 is a rear view thereof;

FIG. 4 is a right side view thereof;

FIG. 5 is a left side view thereof;

FIG. 6 is a top view thereof;

FIG. 7 is a bottom view thereof;

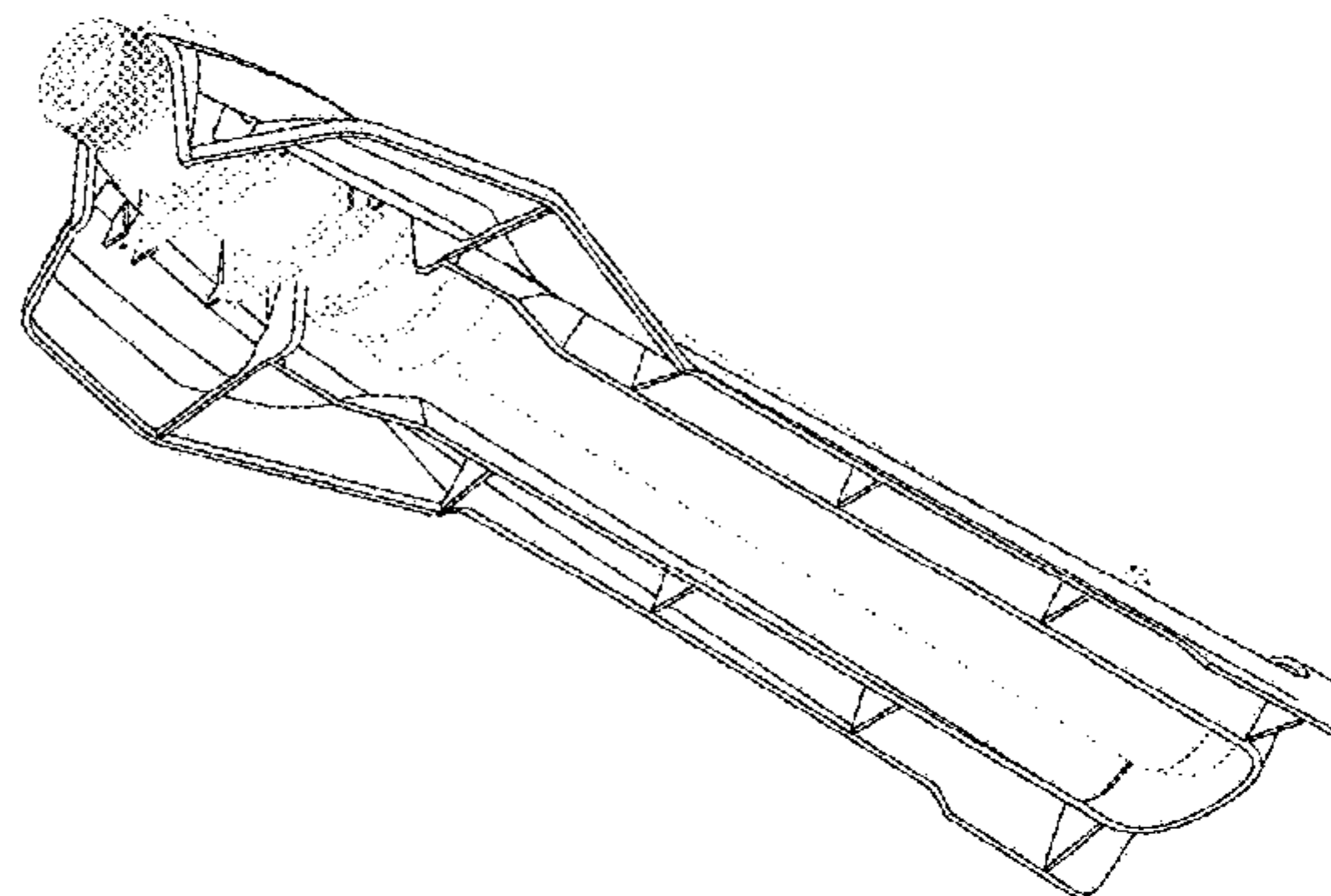
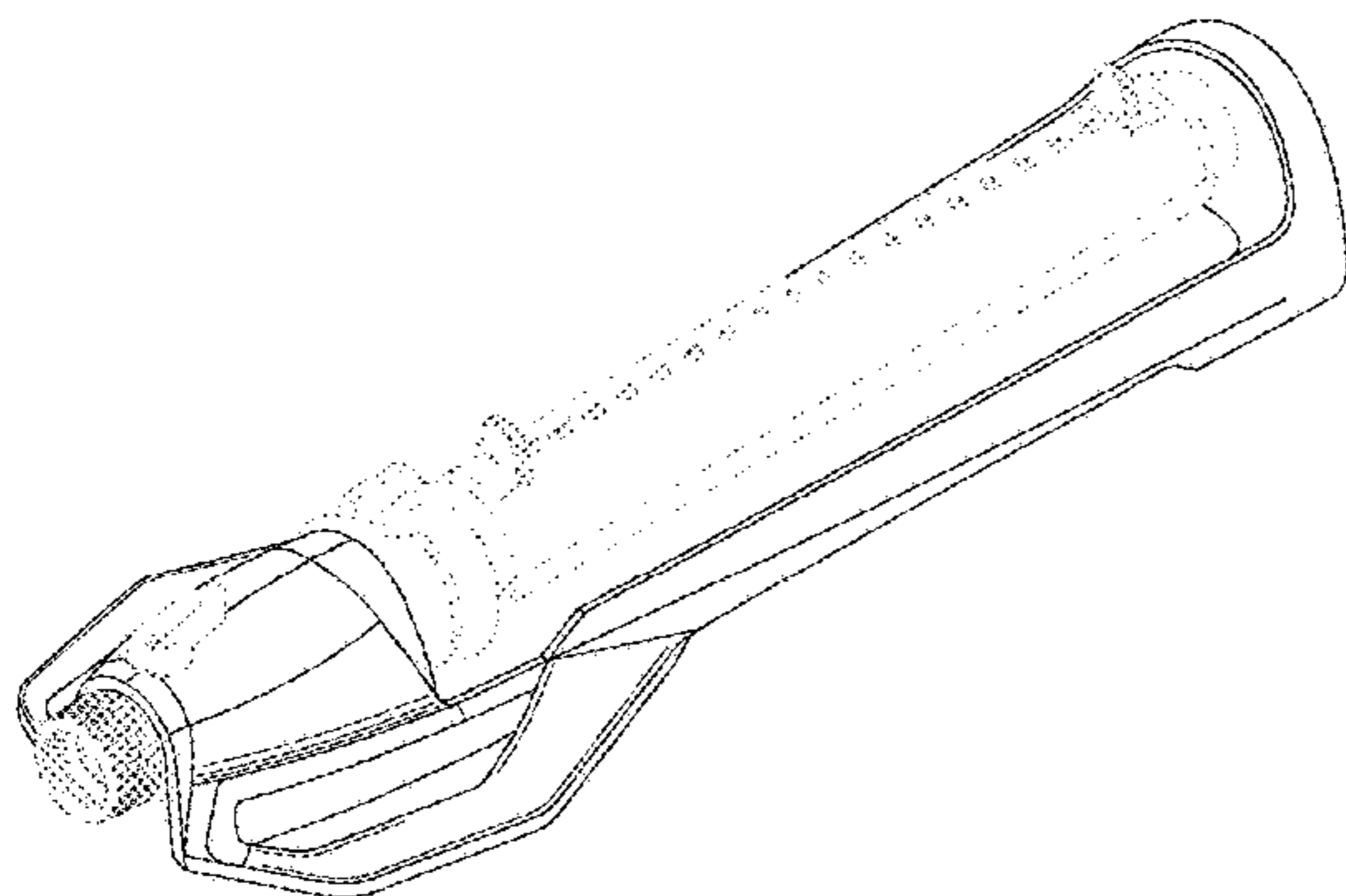
FIG. 8 is a bottom perspective view thereof;

FIG. 9 is an enlarged view of FIG. 2; and,

FIG. 10 is an enlarged view of FIG. 3.

The broken line showing of portions of the sprinkler is included for the purpose of illustrating and forms no part of the claimed design.

1 Claim, 8 Drawing Sheets



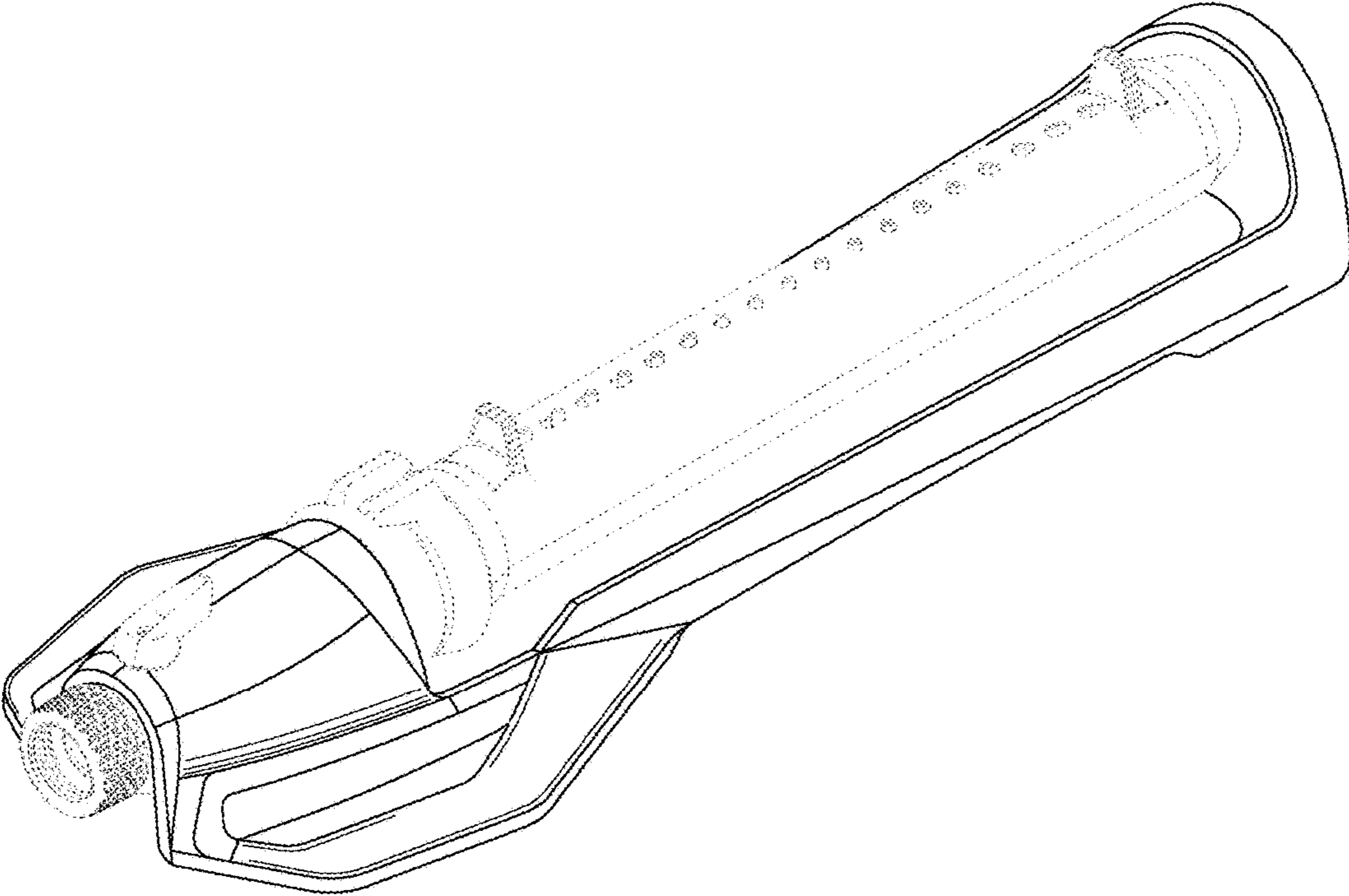


FIG. 1

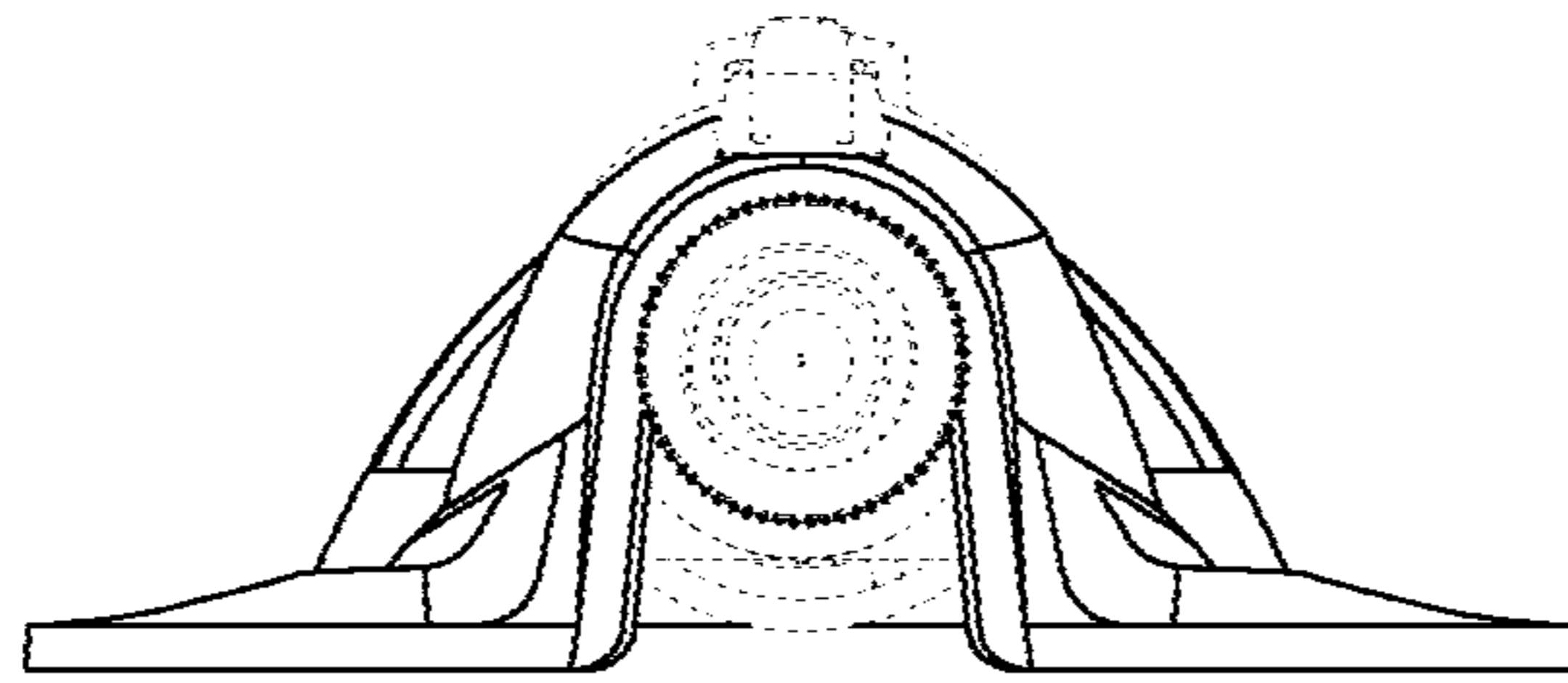


FIG. 2

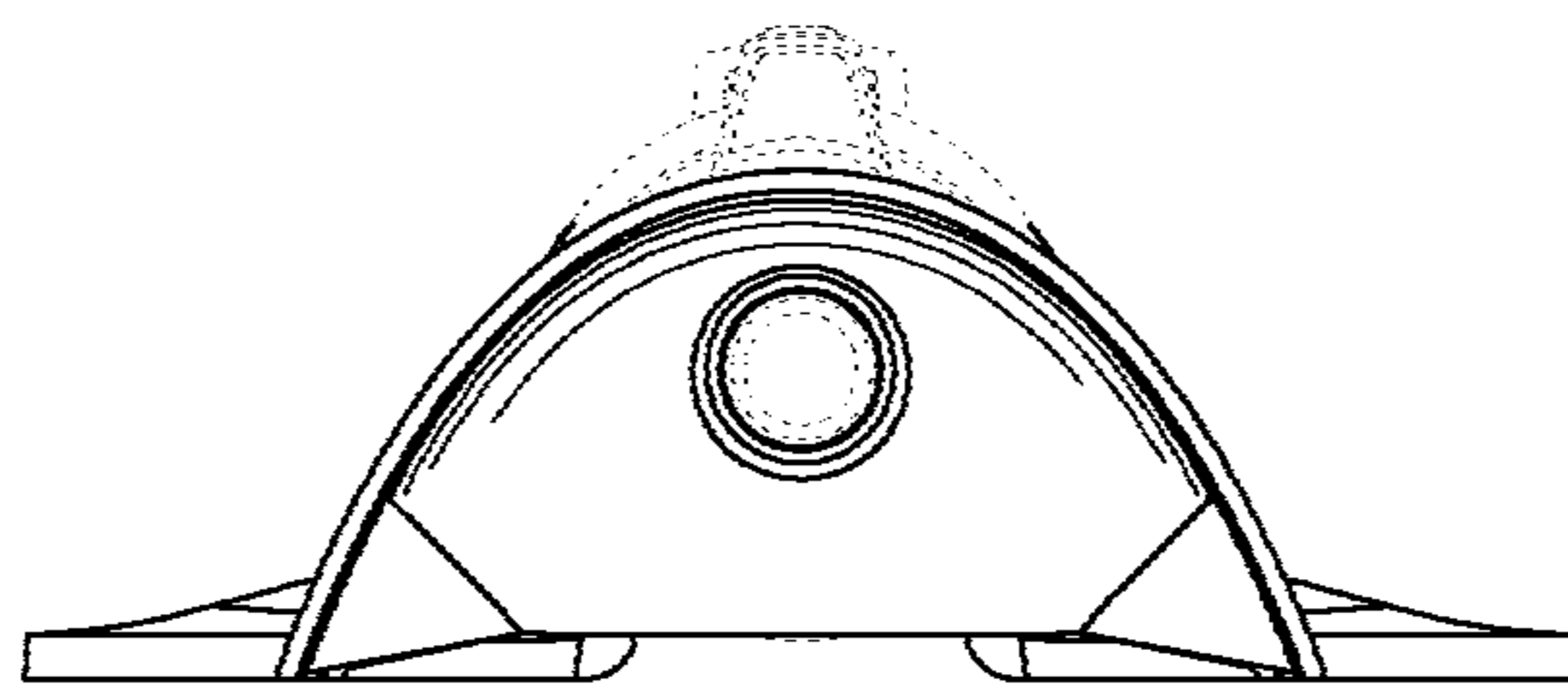


FIG. 3

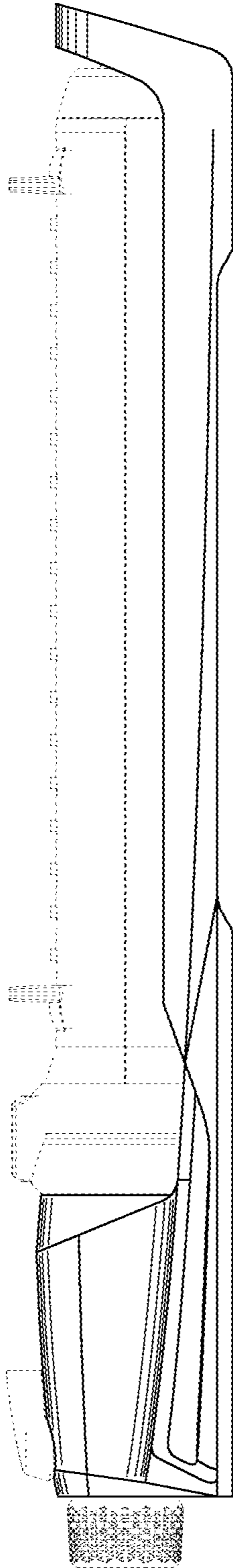


FIG. 4

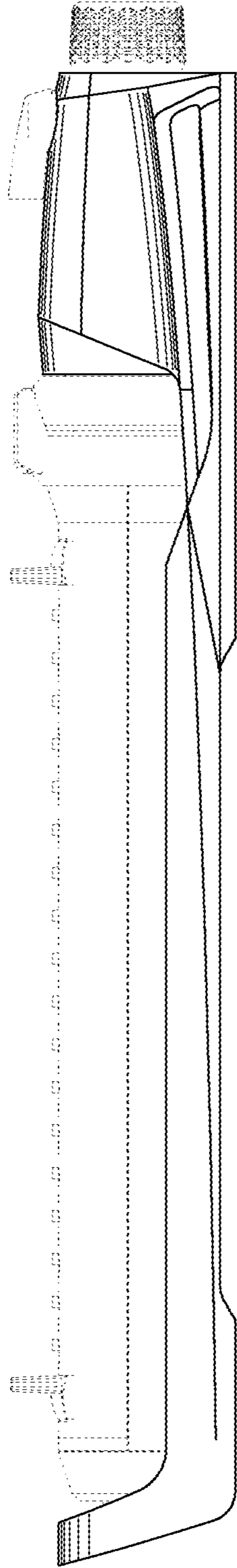


FIG. 5

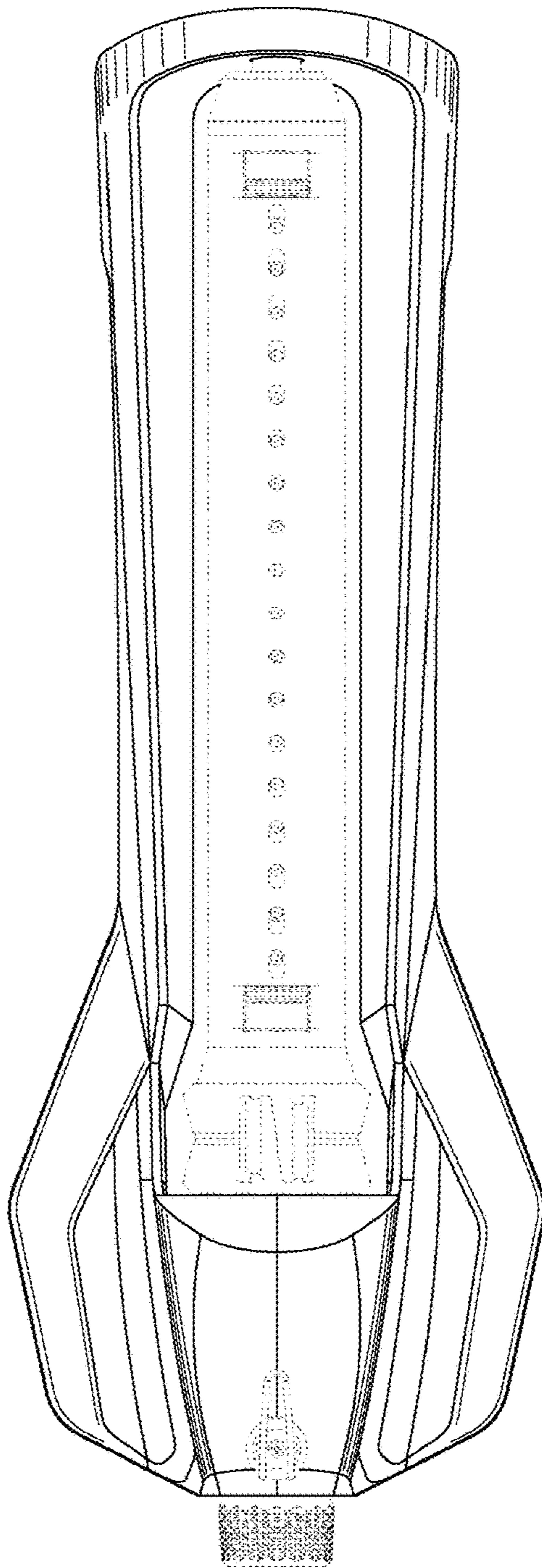


FIG. 6

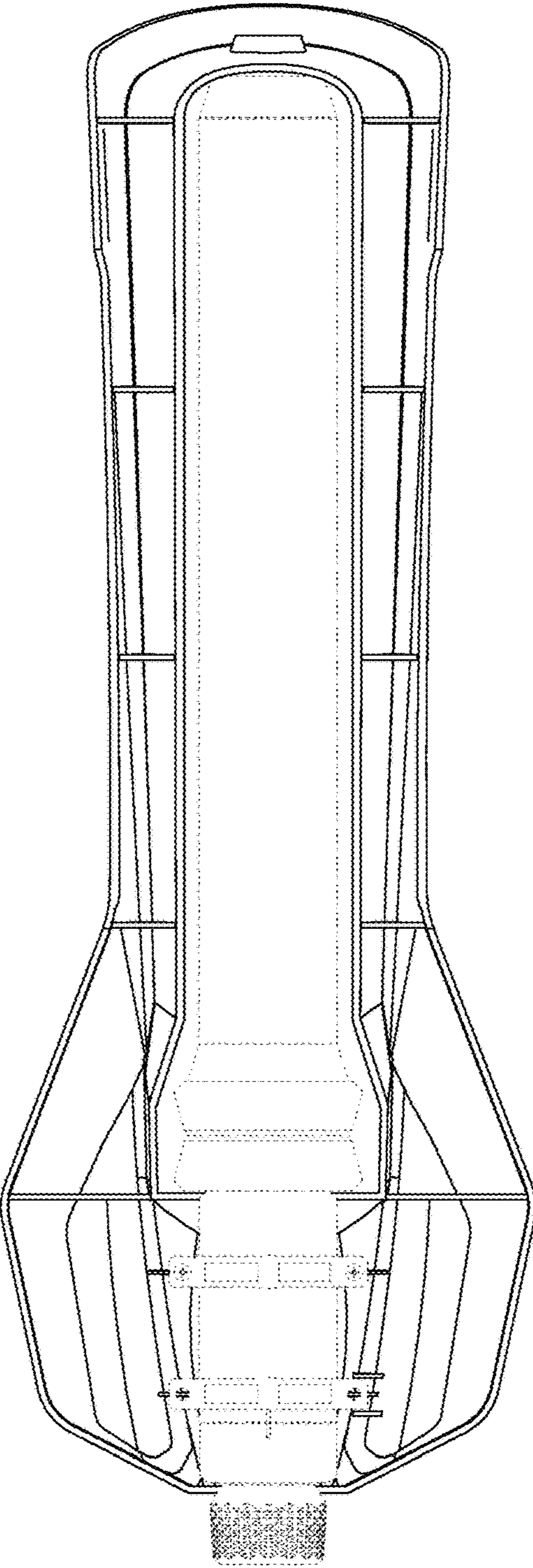


FIG. 7

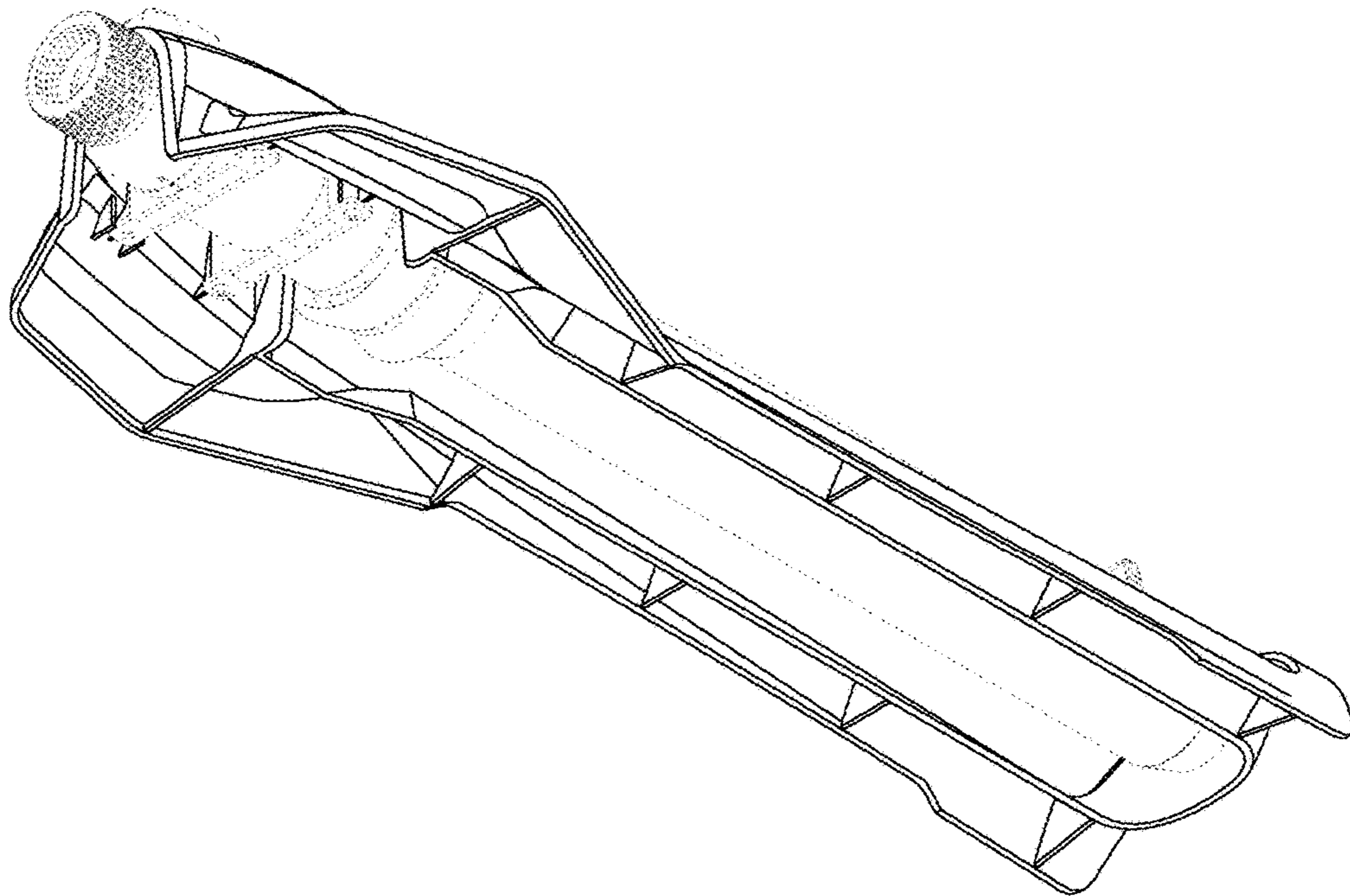


FIG. 8

8/8

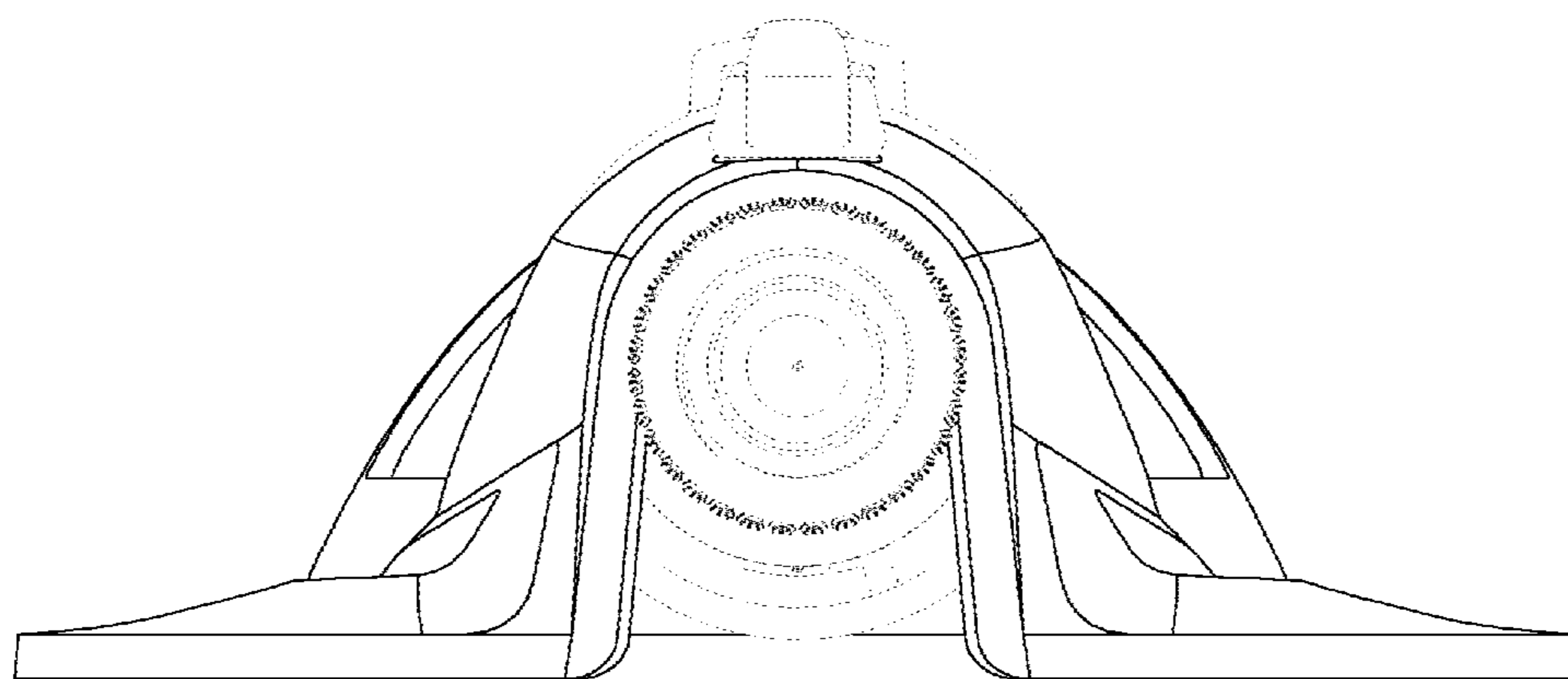


FIG. 9

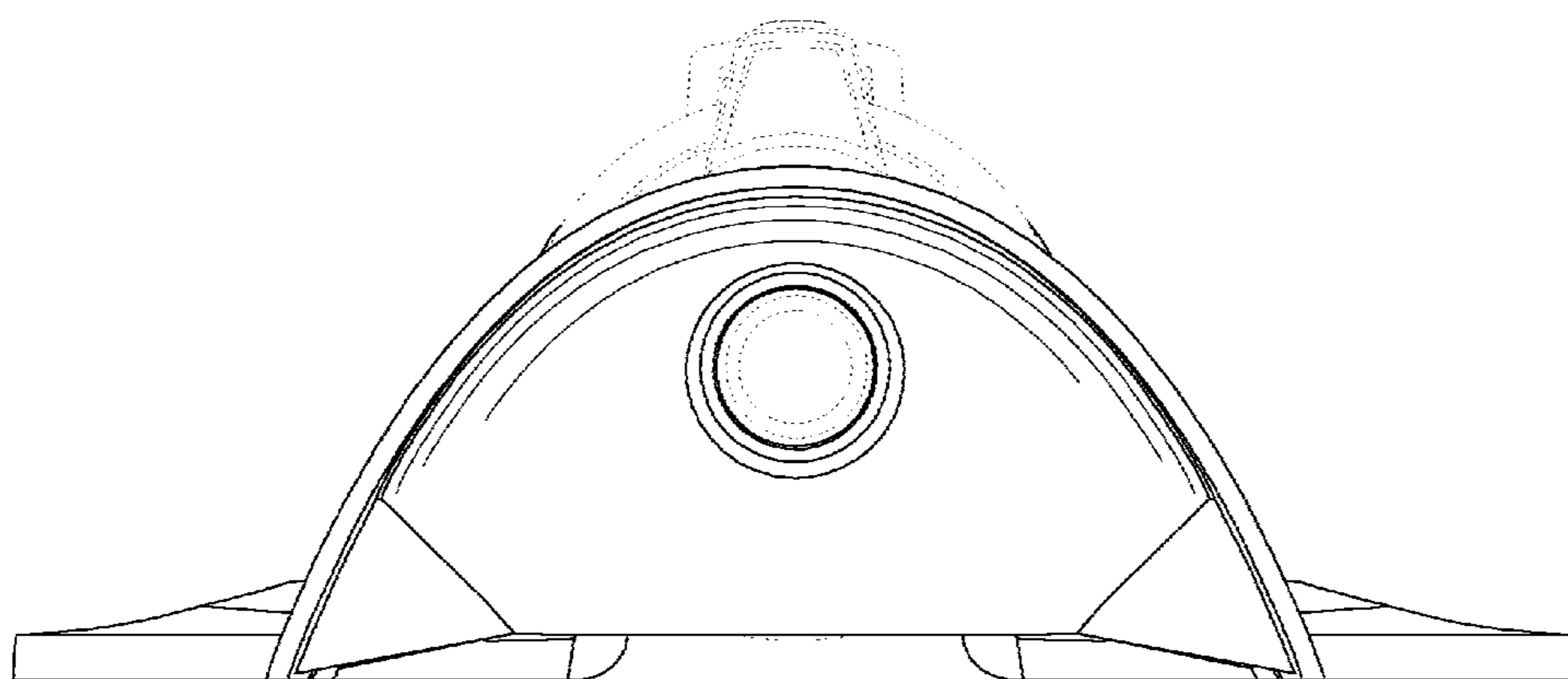


FIG. 10