



US00D828492S

(12) **United States Design Patent** (10) **Patent No.:** **US D828,492 S**
Stein et al. (45) **Date of Patent:** **** Sep. 11, 2018**

(54) **JET REGULATOR**
(71) Applicant: **NEOPERL GMBH**, Müllheim (DE)
(72) Inventors: **Alexander Stein**, Ihringen (DE);
Alexandra Welz, Müllheim (DE)
(73) Assignee: **Neoperl GmbH**, Müllheim (DE)
(**) Term: **15 Years**
(21) Appl. No.: **35/501,707**
(22) Filed: **Sep. 12, 2016**

D709,593 S * 7/2014 Blum D23/213
D732,140 S * 6/2015 Tempel D23/213
D752,710 S * 3/2016 Tempel D23/213
D776,240 S * 1/2017 Huang D23/213
D788,264 S * 5/2017 Stein D23/213
D800,867 S * 10/2017 Blum D23/213
2011/0278380 A1* 11/2011 Zoller E03C 1/08
239/601
2013/0082121 A1* 4/2013 Stein E03C 1/08
239/428.5
2014/0203107 A1* 7/2014 Lacher E03C 1/084
239/428.5
2017/0138026 A1* 5/2017 Huang E03C 1/084

* cited by examiner

Primary Examiner — Mary Ann Calabrese
(74) *Attorney, Agent, or Firm* — Volpe and Koenig, P.C.

(80) **Hague Agreement Data**
Int. Filing Date: **Sep. 12, 2016**
Int. Reg. No.: **DM/092789**
Int. Reg. Date: **Sep. 12, 2016**
Int. Reg. Pub. Date: **Oct. 14, 2016**

(57) **CLAIM**

The ornamental design for jet regulator, as shown and described.

(51) **LOC (11) Cl.** **23-01**
(52) **U.S. Cl.**
USPC **D23/213**
(58) **Field of Classification Search**
USPC D23/200, 207, 213, 249
CPC E03C 1/08; E03C 1/086
See application file for complete search history.

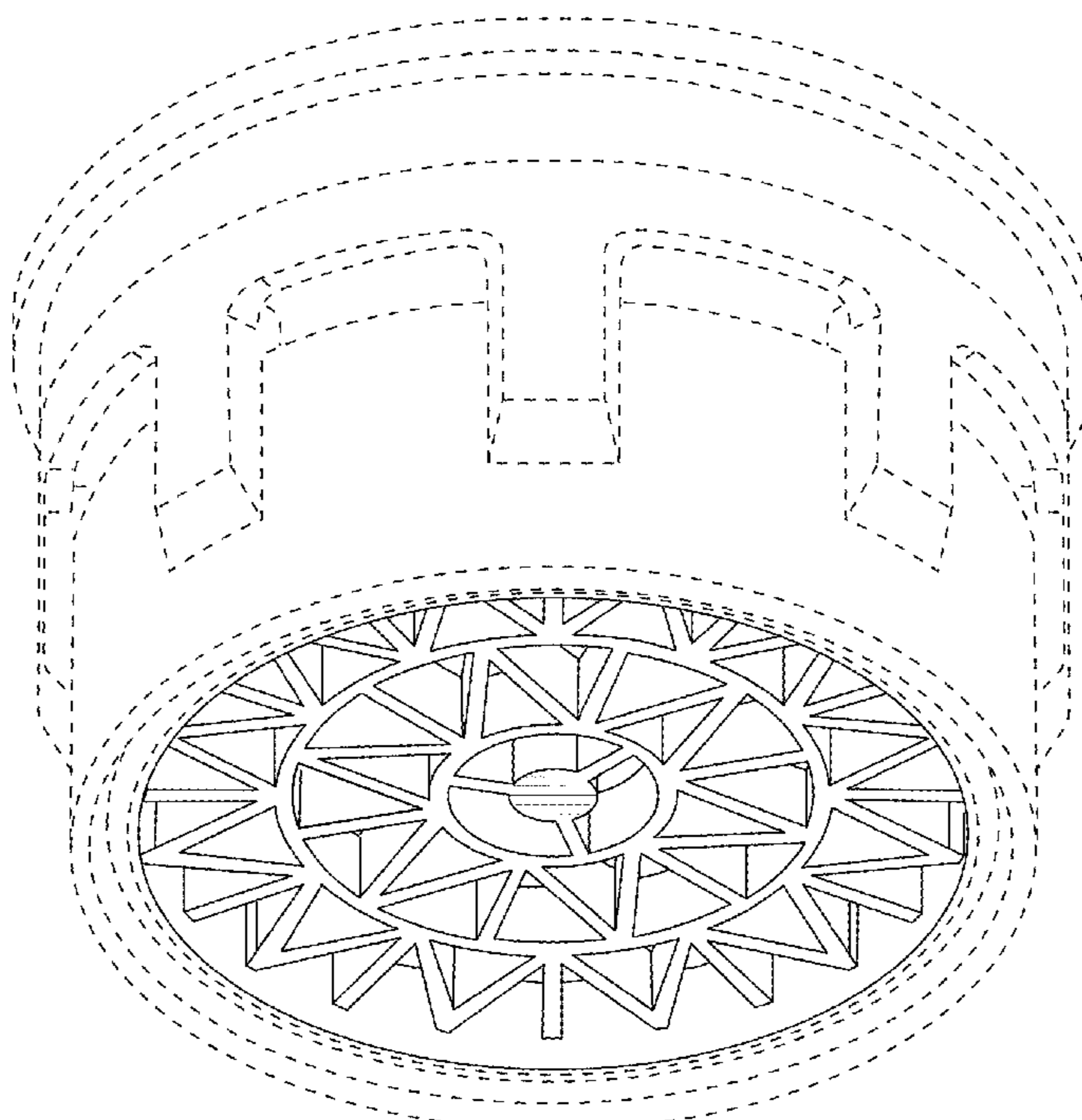
DESCRIPTION

- 4. Jet regulator
- 4.1: Top
- 4.2: Perspective
- 4.3: Bottom
- 4.4: Perspective
- 4.5: Front
- 4.6: Right
- 4.7: Back
- 4.8: Left

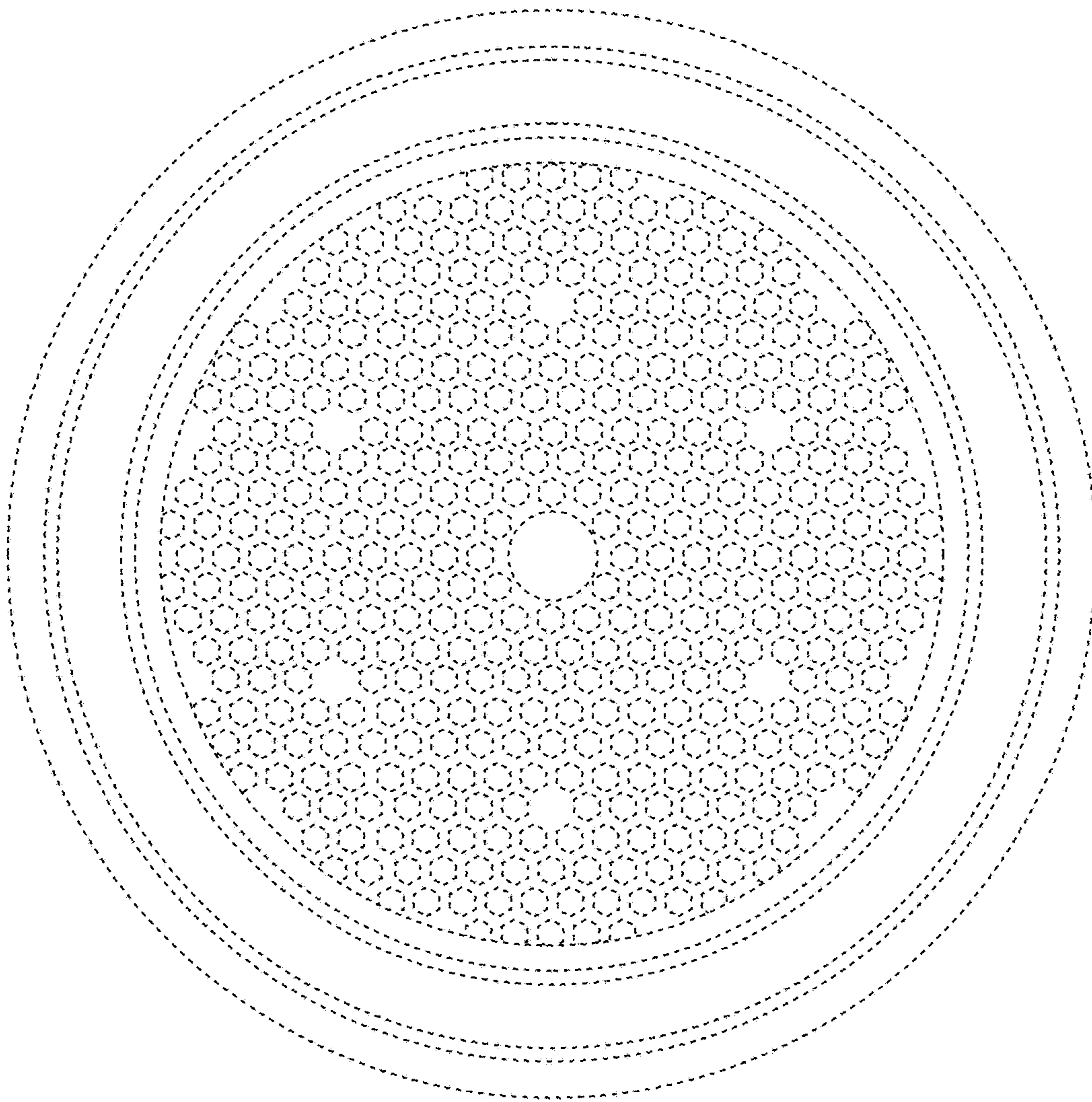
The broken lines represent portion of the jet regulator that form no part of the claimed design.

(56) **References Cited**
U.S. PATENT DOCUMENTS
D536,424 S * 2/2007 Grether D23/249
D550,818 S * 9/2007 Grether D23/249
D697,175 S * 1/2014 Grether D23/213

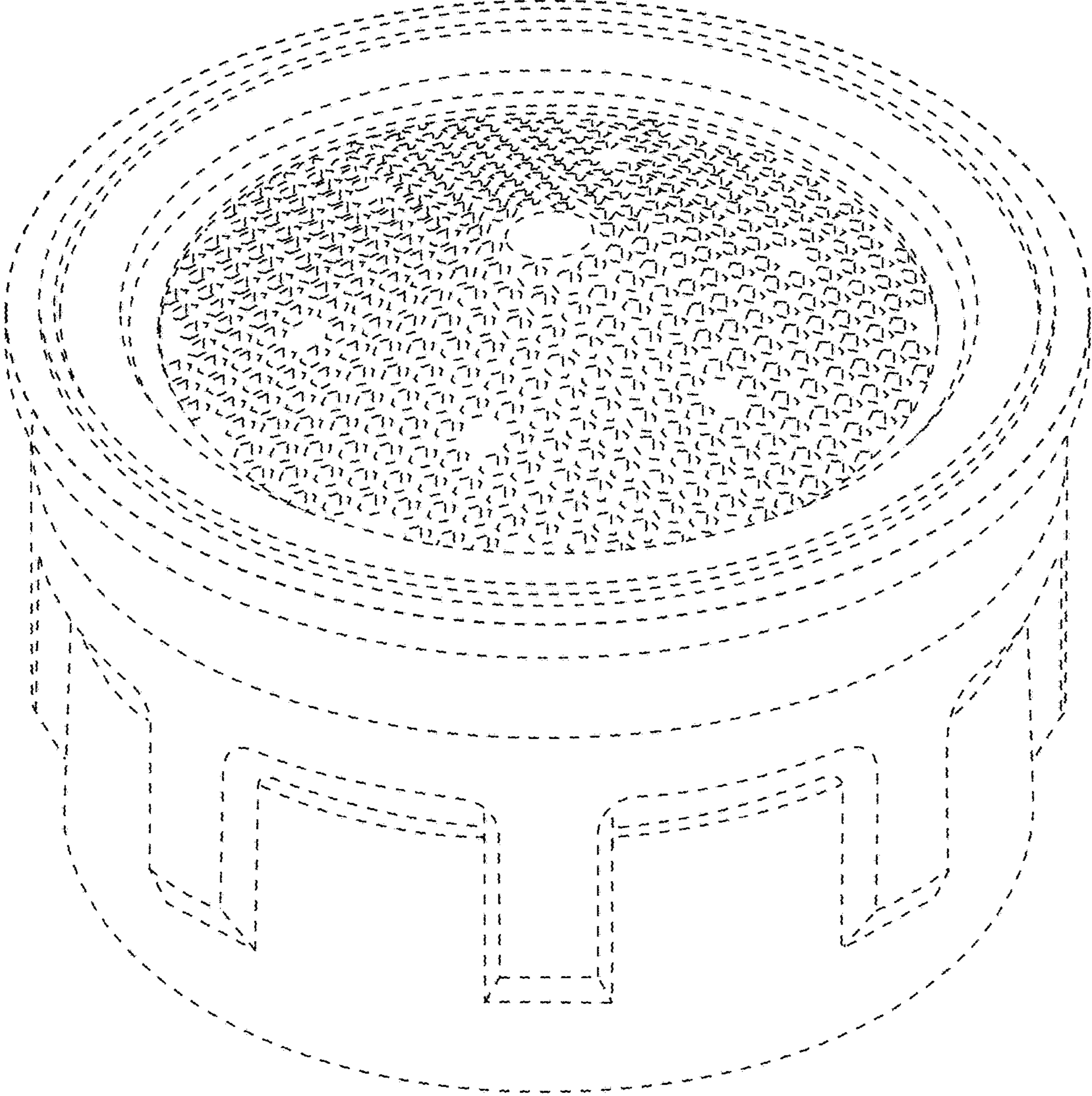
1 Claim, 8 Drawing Sheets



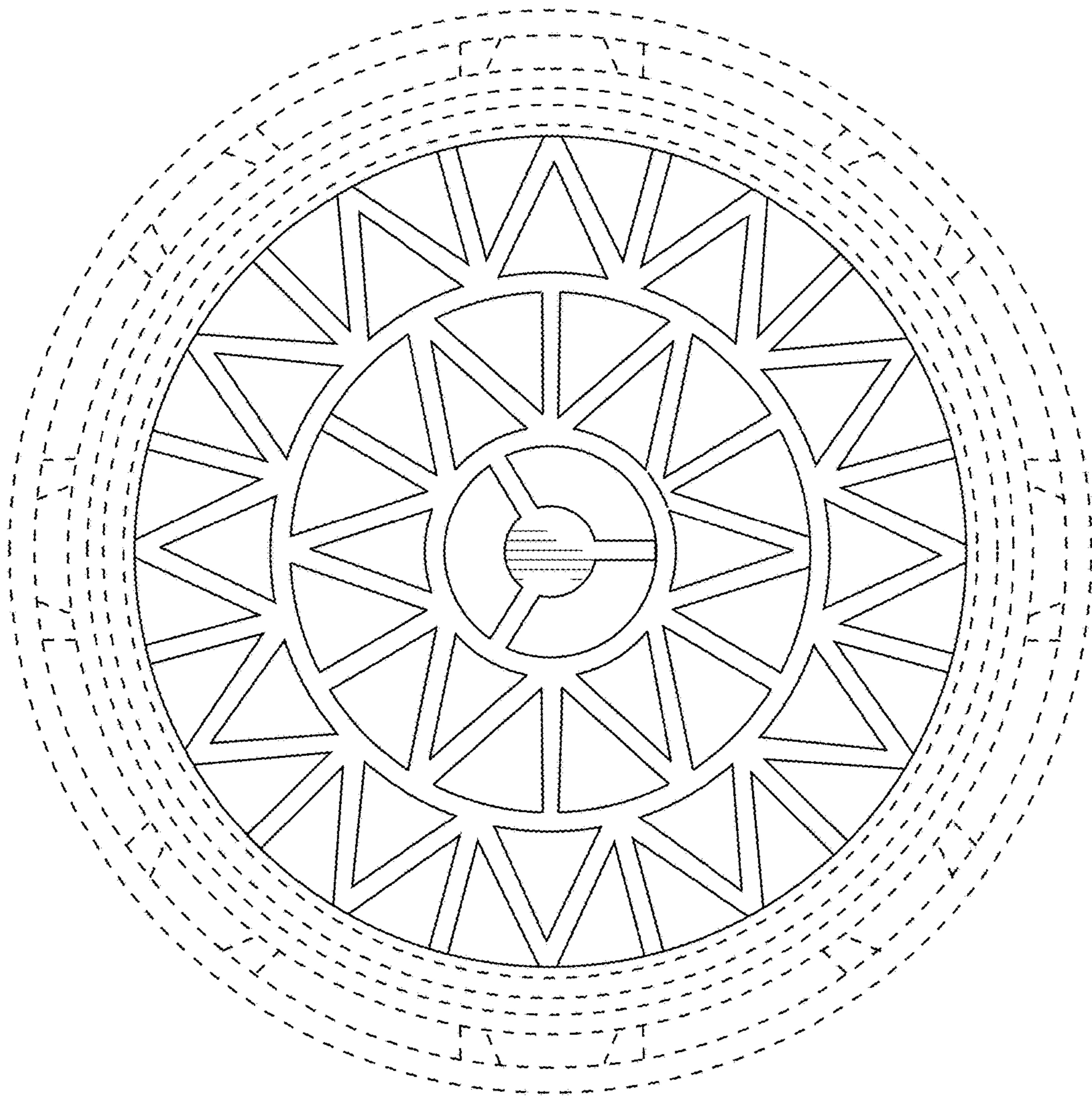
4.1



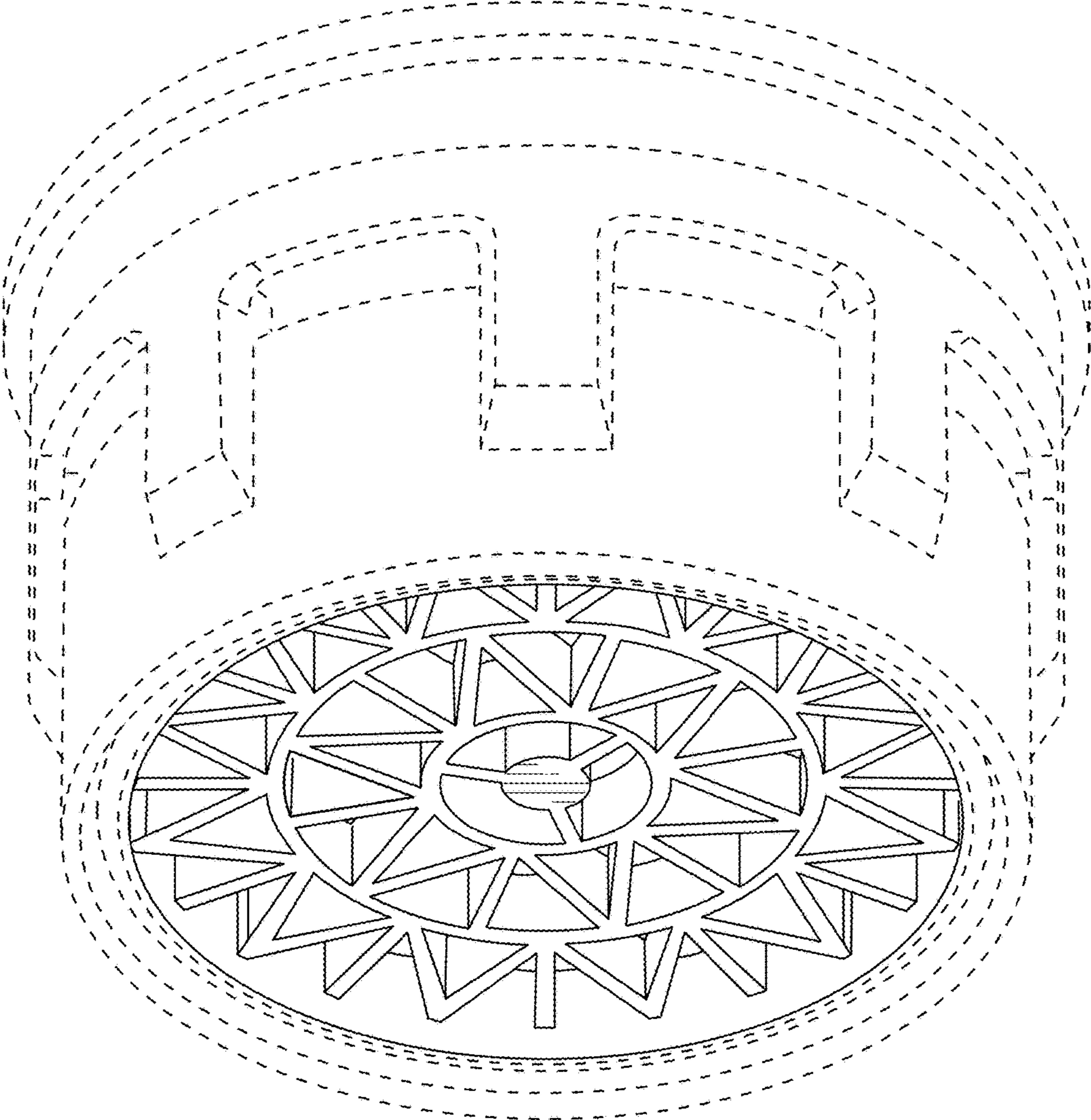
4.2



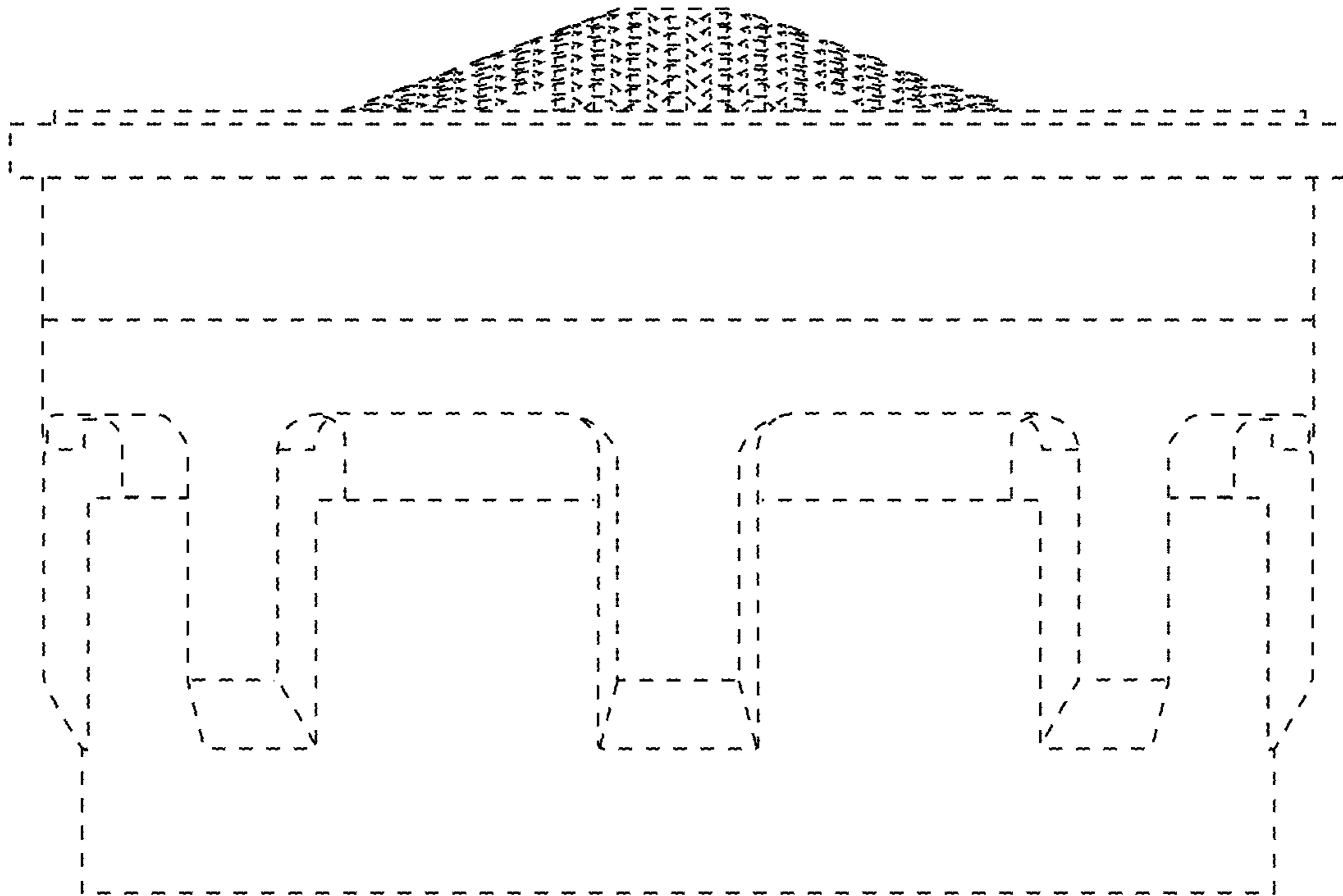
4.3



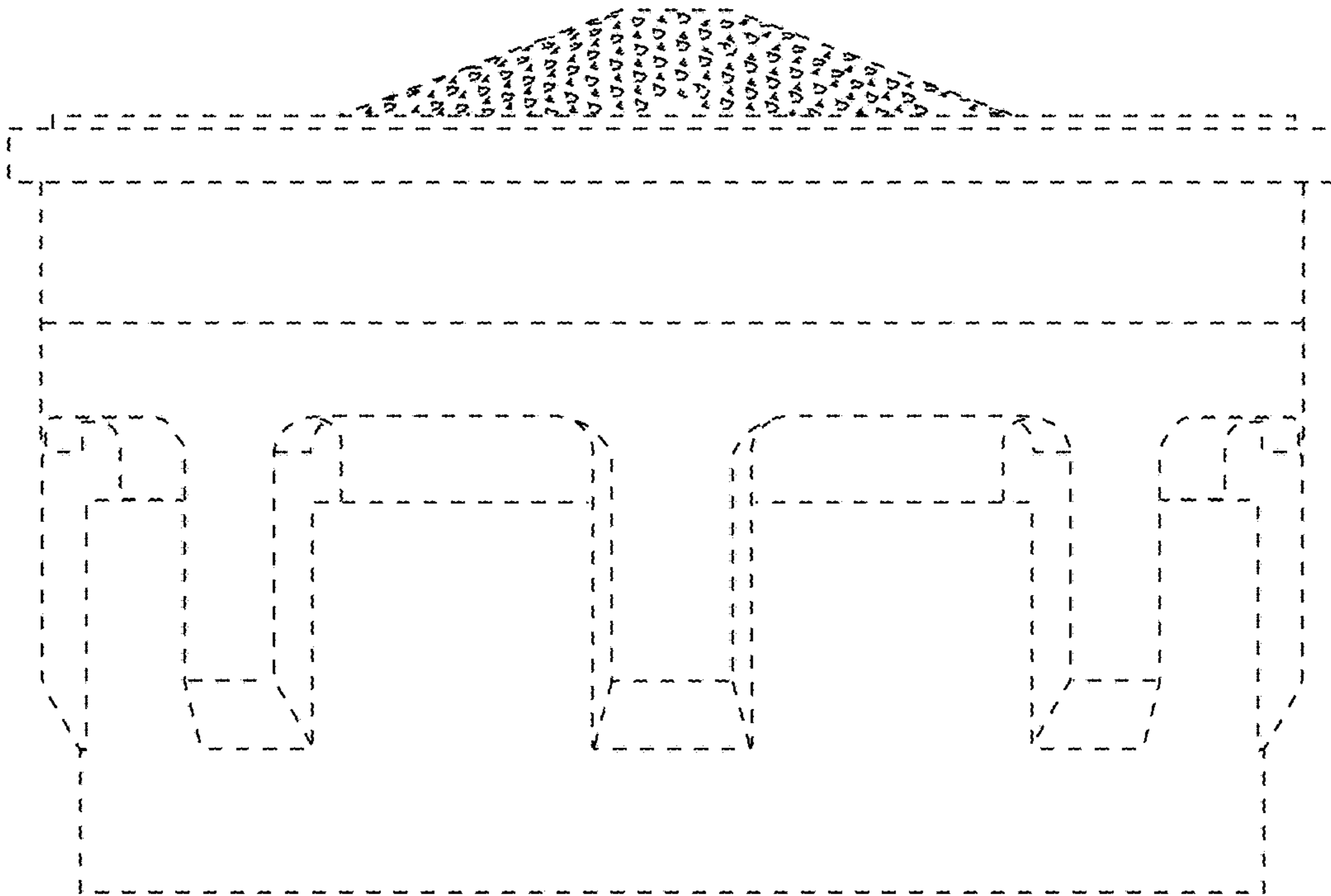
4.4



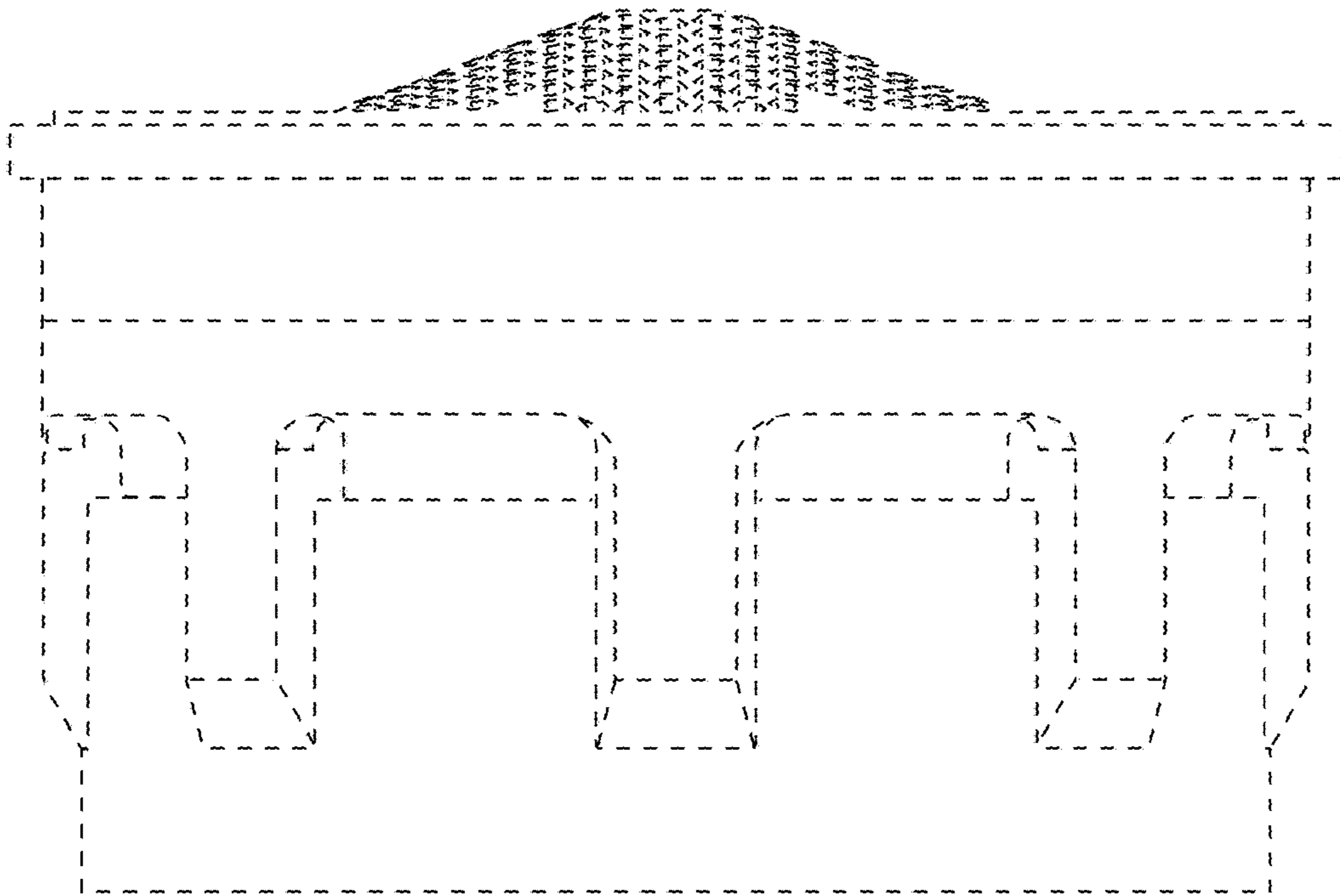
4.5



4.6



4.7



4.8

