



US00D828491S

(12) **United States Design Patent** (10) **Patent No.:** **US D828,491 S**
Schoenherr et al. (45) **Date of Patent:** **** Sep. 11, 2018**

(54) **OVERHEAD SHOWER**
(71) Applicant: **Hansgrohe SE**, Schiltach (DE)
(72) Inventors: **Tom Schoenherr**, Stuttgart (DE);
Matthias Oesterle, Winterbach (DE);
Marco Flaig, Stuttgart (DE)
(73) Assignee: **Hansgrohe SE**, Schiltach (DE)
(**) Term: **15 Years**
(21) Appl. No.: **29/609,722**
(22) Filed: **Jul. 5, 2017**
(30) **Foreign Application Priority Data**
Jan. 13, 2017 (EM) 003622000-0004
(51) **LOC (11) Cl.** **23-01**
(52) **U.S. Cl.**
USPC **D23/213**
(58) **Field of Classification Search**
USPC D23/213, 229, 230; 4/605, 617, 615
CPC .. B05B 1/00; B05B 1/005; B05B 1/08; B05B
1/18; A61H 9/0021; E03C 1/06
See application file for complete search history.

D757,895 S * 5/2016 Schoenherr D23/213
D758,532 S * 6/2016 Schoenherr D23/213
D765,818 S * 9/2016 Schoenherr D23/213
D765,819 S * 9/2016 Schoenherr D23/213

FOREIGN PATENT DOCUMENTS

EM 001844911-0005 4/2011
EM 001844911-0011 4/2011

OTHER PUBLICATIONS

Brochure—JADO Freedom of Expression, 26 pgs., Ideal Standard GmbH, Bonn, Germany, at least as early as Mar. 7, 2012.

* cited by examiner

Primary Examiner — Robin V Webster

(74) *Attorney, Agent, or Firm* — Lora J. Graentzdoerffer

(57) **CLAIM**

The ornamental design for an overhead shower, as shown and described.

DESCRIPTION

FIG. 1 is a perspective view;
FIG. 2 is a front elevation view;
FIG. 3 is a rear elevation view;
FIG. 4 is a side elevation view;
FIG. 5 is a top plan view; and,
FIG. 6 is a bottom plan view.
The broken lines indicate portions of the overhead shower that form no part of the claimed design.

1 Claim, 6 Drawing Sheets

(56) **References Cited**
U.S. PATENT DOCUMENTS
D496,987 S * 10/2004 Glunk D23/213
D531,260 S * 10/2006 Luo D23/213
D540,427 S * 4/2007 Bouroullec D23/213
D656,222 S * 3/2012 Su D23/213
D694,357 S * 11/2013 Brodey D23/213
D736,347 S * 8/2015 Tan D23/213
D751,174 S * 3/2016 Schoenherr D23/213

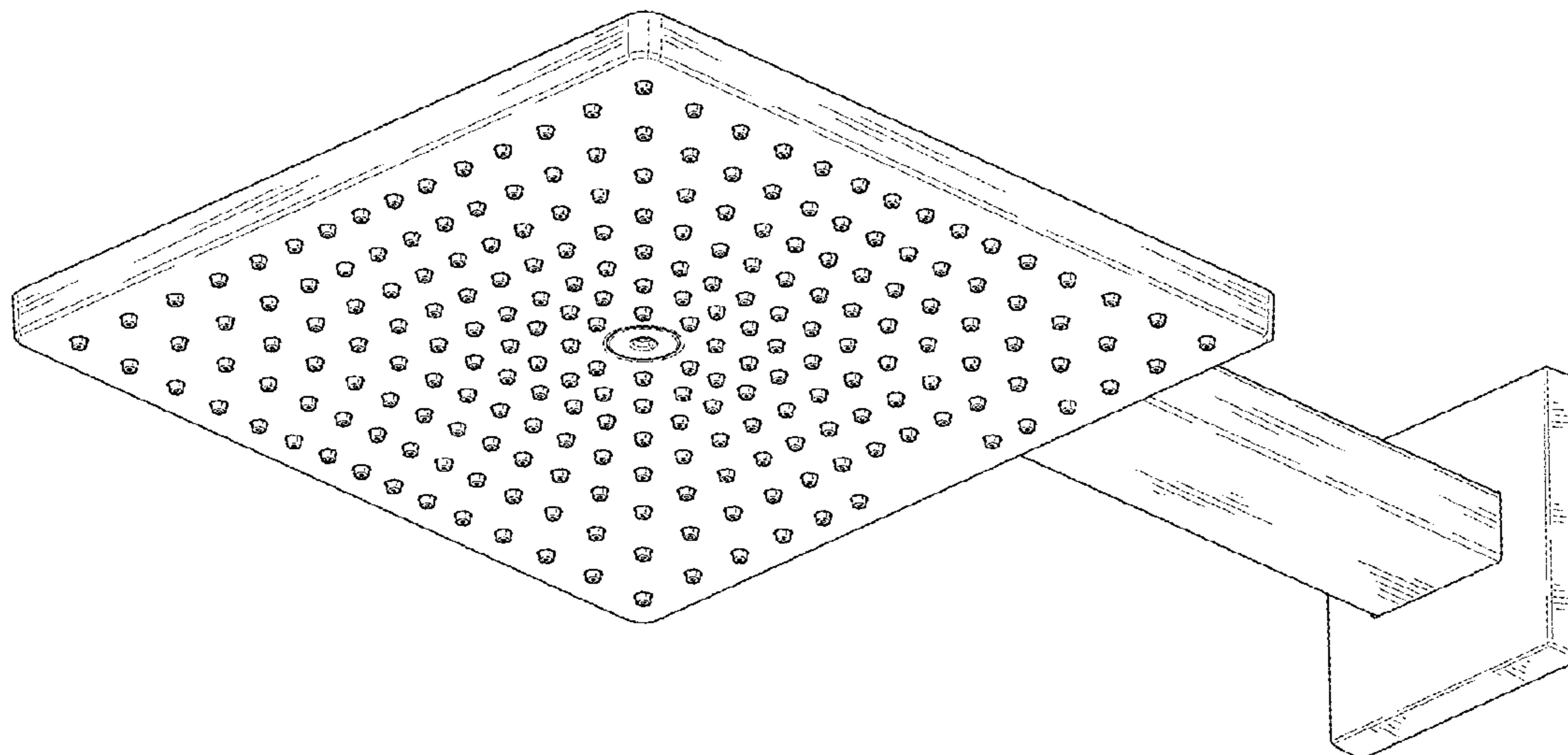


FIG. 1

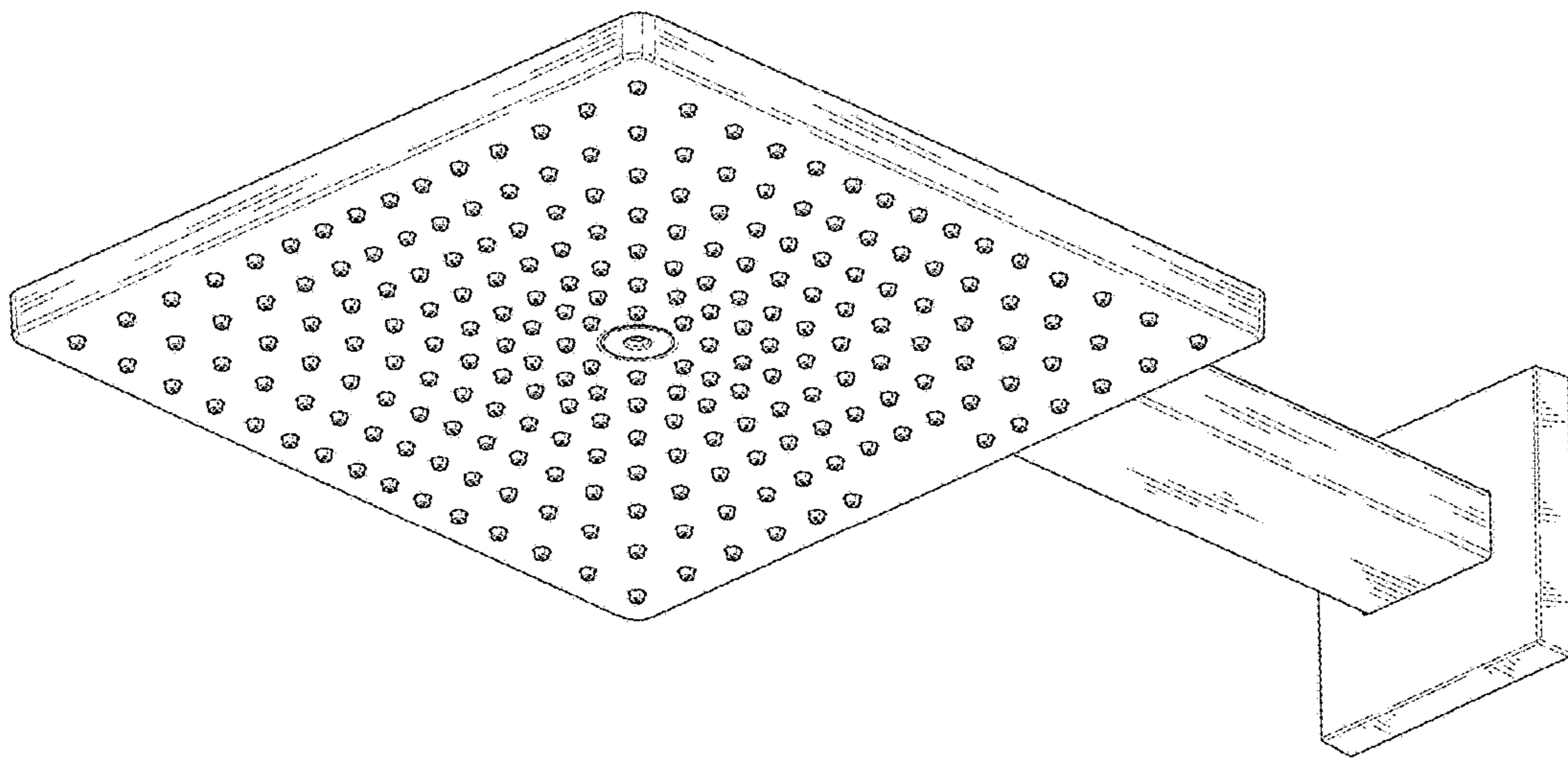


FIG. 2

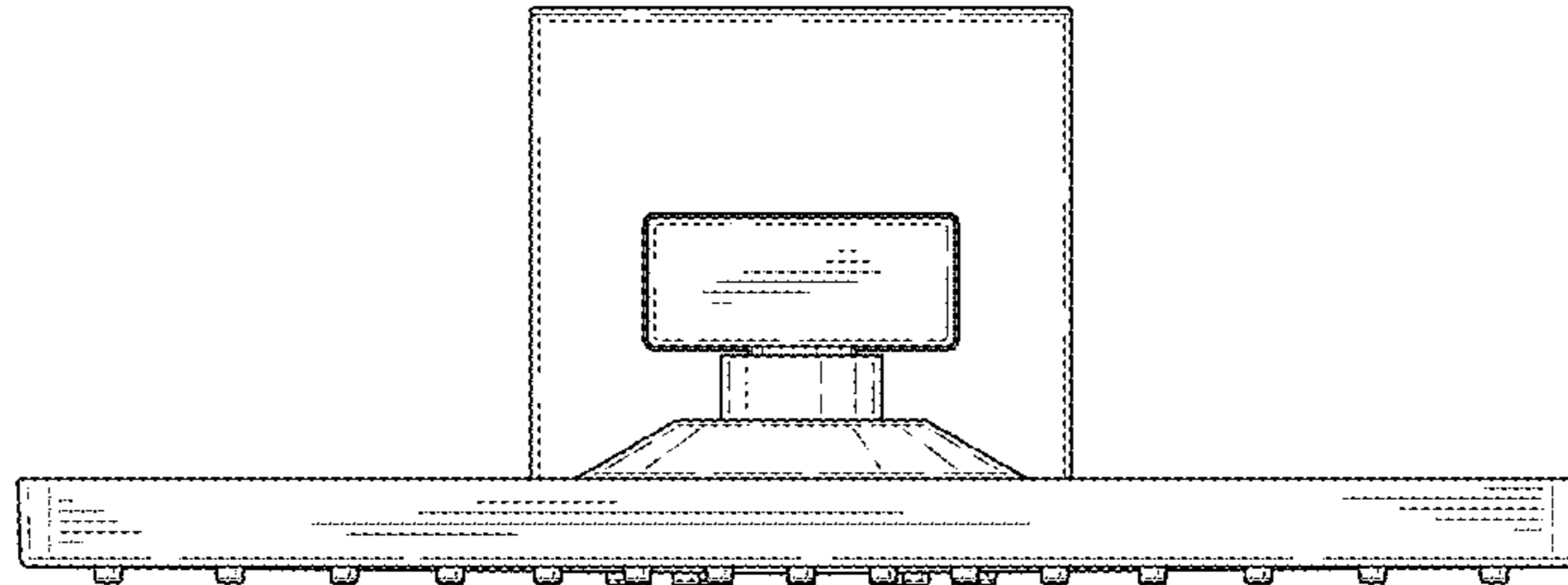


FIG. 3

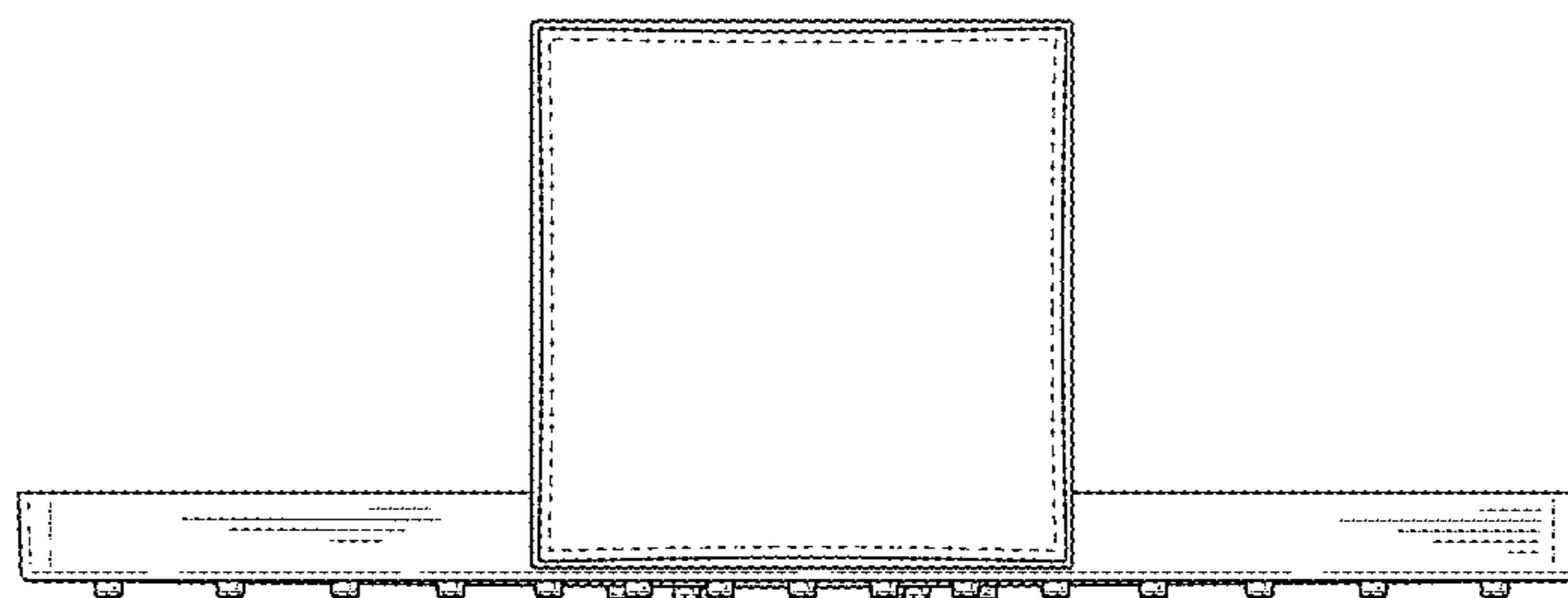


FIG. 4

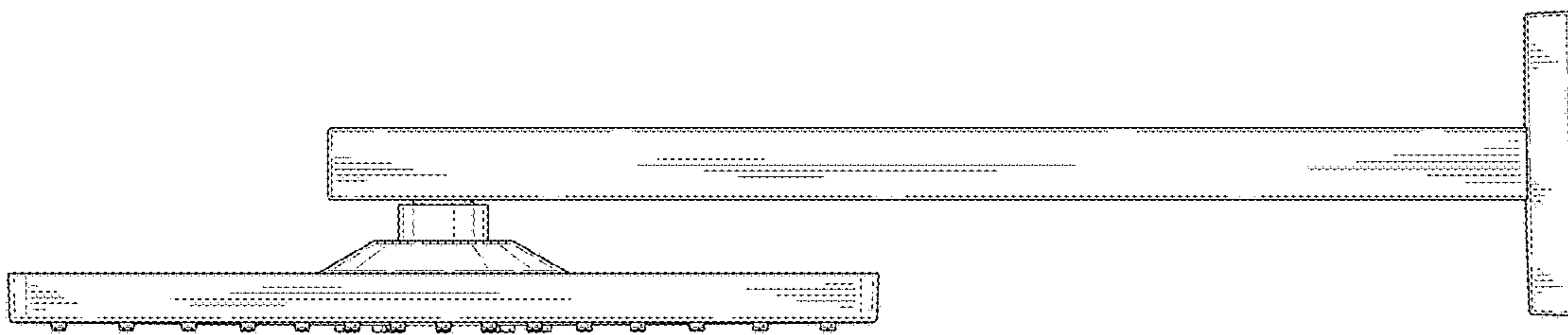


FIG. 5

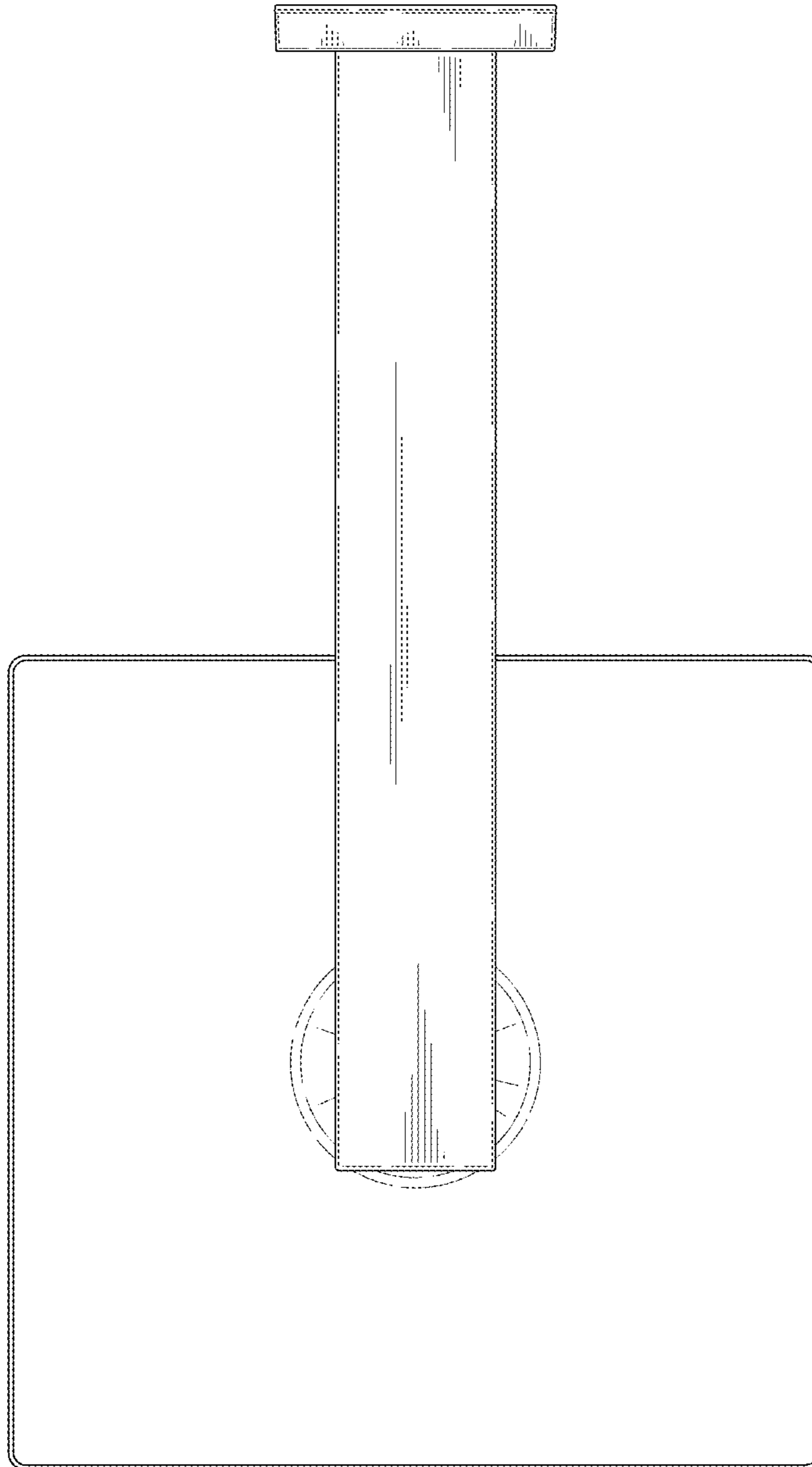


FIG. 6

