



US00D828490S

(12) **United States Design Patent**
Cordani

(10) **Patent No.:** **US D828,490 S**

(45) **Date of Patent:** **** Sep. 11, 2018**

(54) **SCALLOP NOZZLE**

(71) Applicant: **GelTech Solutions, Inc.**, Jupiter, FL
(US)

(72) Inventor: **Peter Cordani**, Palm Beach Gardens,
FL (US)

(73) Assignee: **GelTech Solutions, Inc.**, Jupiter, FL
(US)

(**) Term: **15 Years**

(21) Appl. No.: **29/601,157**

(22) Filed: **Apr. 19, 2017**

(51) **LOC (11) Cl.** **23-01**

(52) **U.S. Cl.**
USPC **D23/213**

(58) **Field of Classification Search**
USPC D23/213, 229, 230; 239/556, 566, 548,
239/282, 550; 169/37
CPC .. B05B 1/18; B05B 1/14; B05B 1/185; B05B
3/0486; E03C 1/06; A62C 31/02
See application file for complete search history.

(56) **References Cited**

U.S. PATENT DOCUMENTS

D395,484 S * 6/1998 Jepsen D23/213
D445,870 S * 7/2001 Palestrant D23/213

D449,370 S * 10/2001 Palestrant D23/213
6,315,219 B1 * 11/2001 Palestrant B05B 15/658
239/550
D500,838 S * 1/2005 Pavlik D23/213
7,578,454 B2 * 8/2009 Joo A62C 31/05
239/488
7,793,864 B2 * 9/2010 Decarne B05B 3/0427
134/166 C
D709,987 S * 7/2014 Robinson B05B 15/658
D23/213

* cited by examiner

Primary Examiner — Robin V Webster

(74) *Attorney, Agent, or Firm* — McHale & Slavin, P.A.

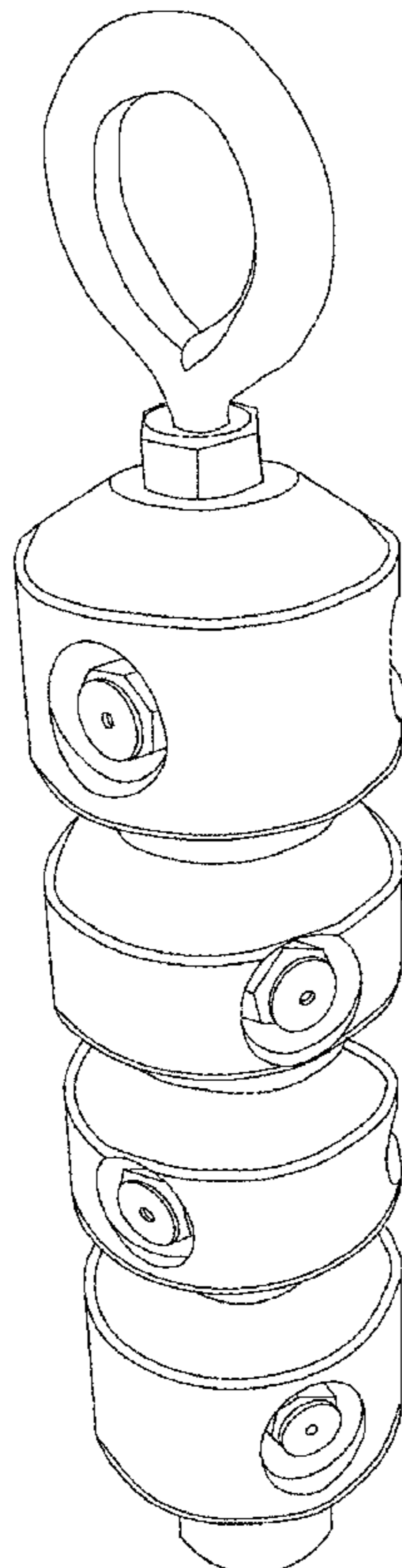
(57) **CLAIM**

The ornamental design for a scallop nozzle, as shown and described.

DESCRIPTION

FIG. 1 is a perspective view of the scallop nozzle of the instant invention;
FIG. 2 is a left side view thereof, a right side view forming a mirror image of the left side view, not shown;
FIG. 3 is a front view thereof, a back view forming a mirror image of the front view, not shown;
FIG. 4 is a bottom view thereof; and,
FIG. 5 is a top view thereof.

1 Claim, 4 Drawing Sheets



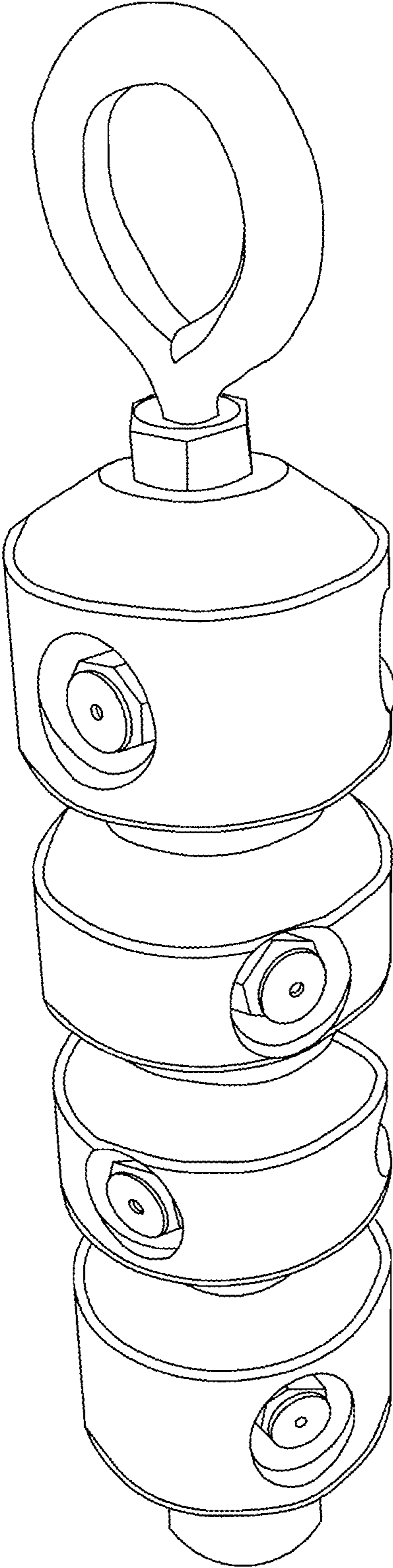


Fig. 1

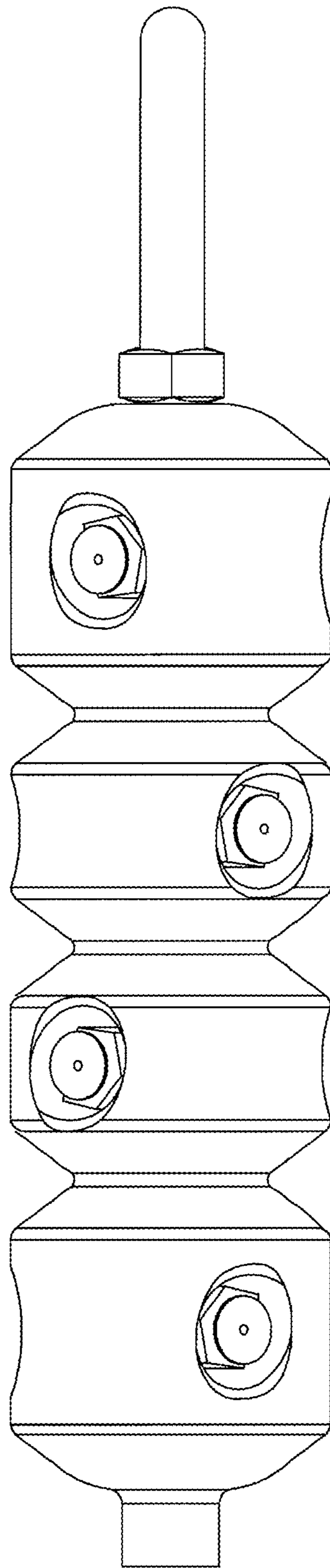


Fig. 2

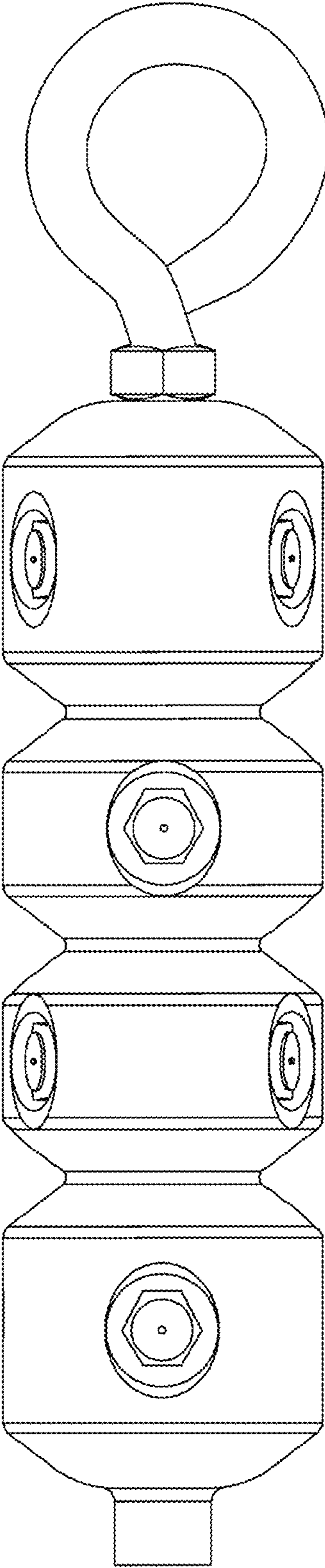


Fig. 3

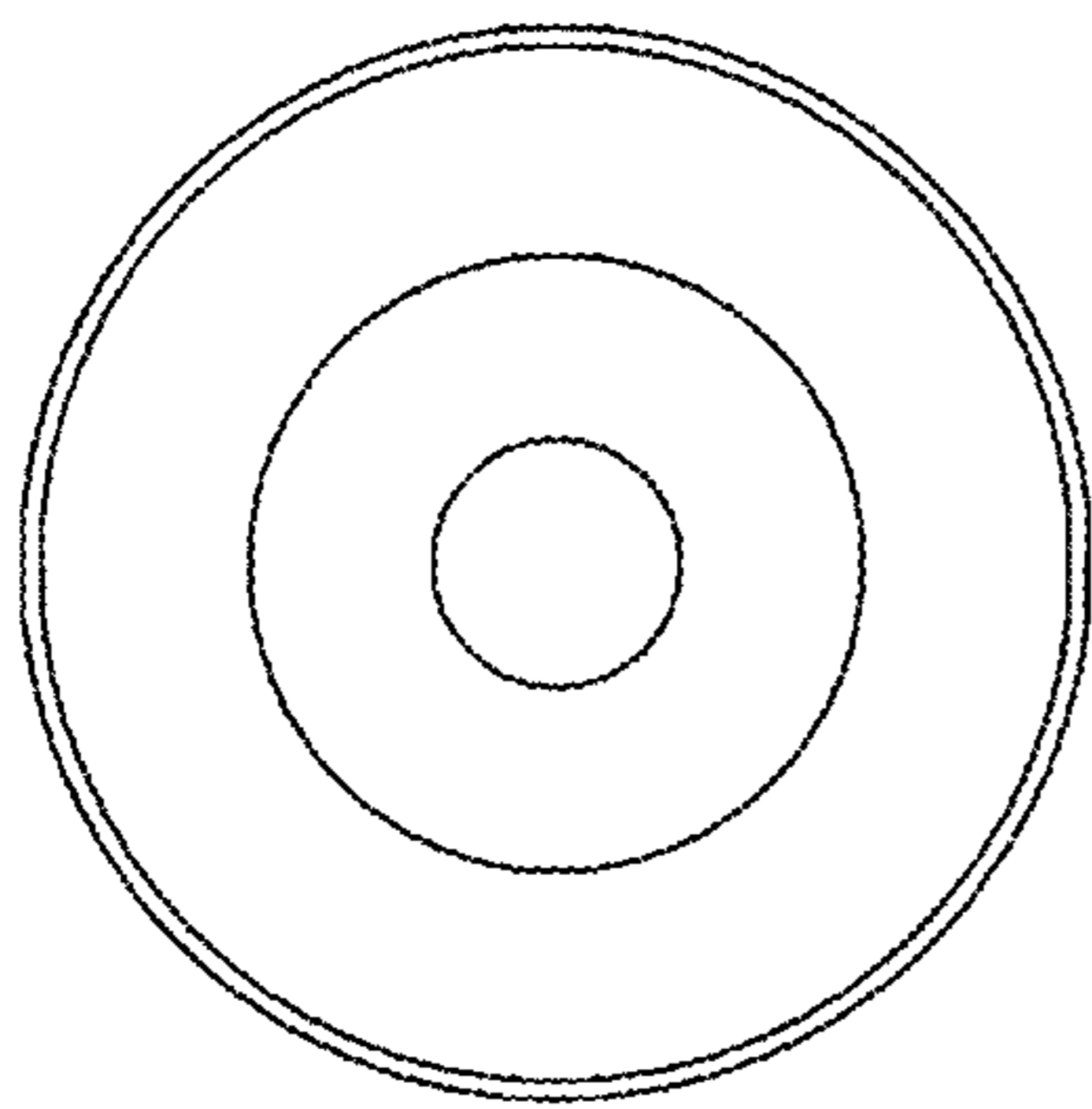


Fig. 4

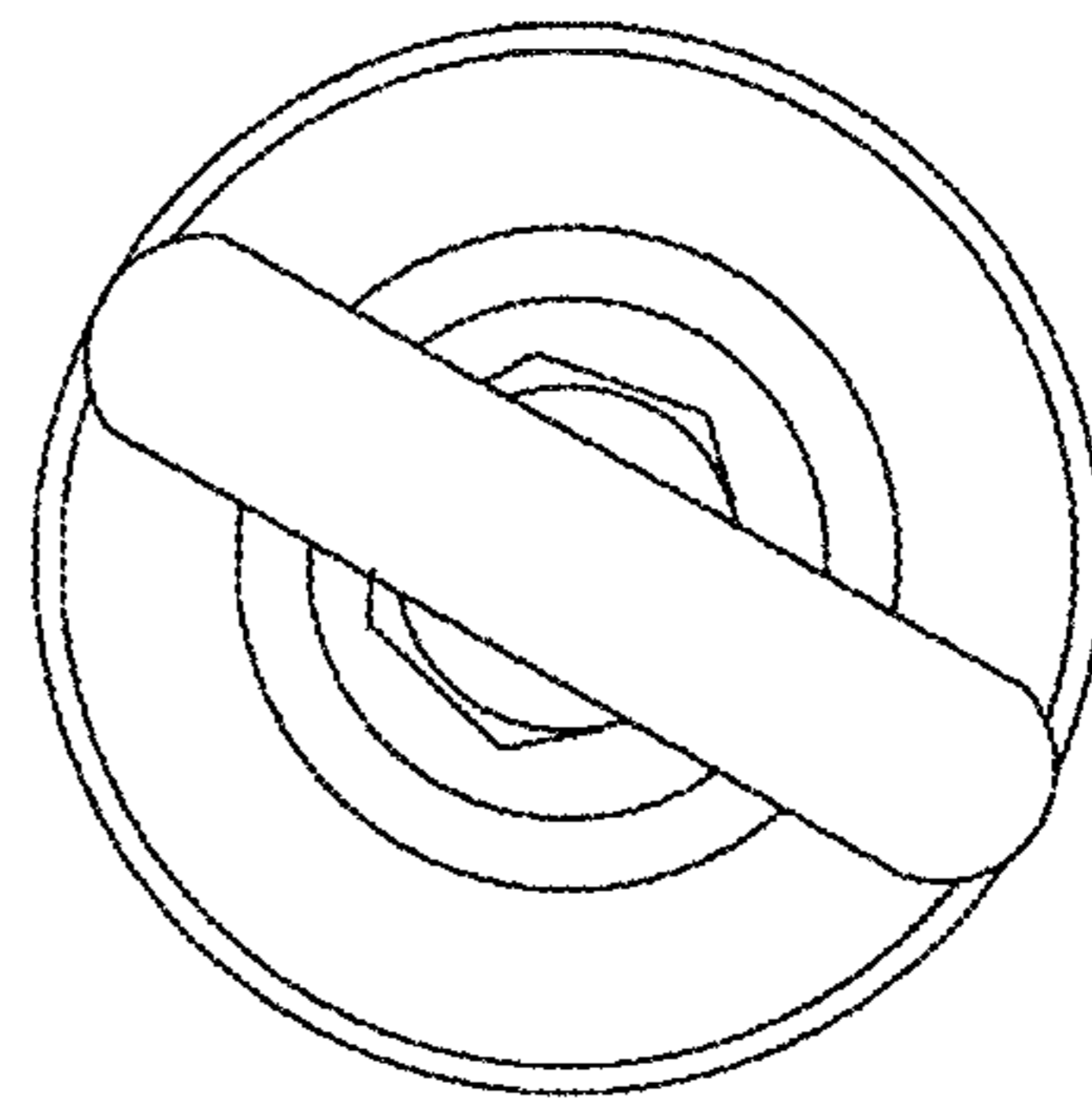


Fig. 5