



US00D828487S

(12) **United States Design Patent**  
**Romanos et al.**

(10) **Patent No.:** **US D828,487 S**

(45) **Date of Patent:** **\*\* Sep. 11, 2018**

- (54) **CONTAINER FOR CRYOGENIC DEWAR**
- (71) Applicant: **WORTHINGTON INDUSTRIES,**  
Columbus, OH (US)
- (72) Inventors: **John Lawrence Romanos,** Mobile, AL  
(US); **Galen Kent Gunter,** Gulf  
Shores, AL (US)
- (73) Assignee: **WORTHINGTON INDUSTRIES,**  
**INC.,** Columbus, OH (US)

- D655,372 S \* 3/2012 Kimball ..... D23/202
- 8,956,855 B2 \* 2/2015 Cognard ..... A47J 41/024  
435/1.1
- 9,126,715 B2 \* 9/2015 Horiuchi ..... F25D 3/10
- D744,063 S \* 11/2015 Holtby ..... A47J 41/024  
D23/200
- D768,261 S \* 10/2016 Martin ..... F17C 3/085  
D23/202
- D768,809 S \* 10/2016 Krotz ..... A47J 41/028  
D23/200
- D783,770 S \* 4/2017 Yu ..... F17C 3/022  
D23/202
- D794,745 S \* 8/2017 Tahkio ..... F17C 1/00  
D23/202

(\*\*) Term: **15 Years**

\* cited by examiner

(21) Appl. No.: **29/603,537**

*Primary Examiner* — Robin V Webster

(22) Filed: **May 10, 2017**

(74) *Attorney, Agent, or Firm* — Tucker Ellis LLP; Carlos Garritano

(51) **LOC (11) Cl.** ..... **23-01**

(52) **U.S. Cl.**  
USPC ..... **D23/202**

(57) **CLAIM**

(58) **Field of Classification Search**  
USPC ..... D23/200, 202, 206; 62/45.1, 371  
CPC ..... F17C 3/085; F17C 2209/221; F17C  
2201/0109; B65D 88/76; B65D 90/105;  
A47J 41/02; A47J 41/028  
See application file for complete search history.

The ornamental design for a container for cryogenic dewar,  
as shown and described.

**DESCRIPTION**

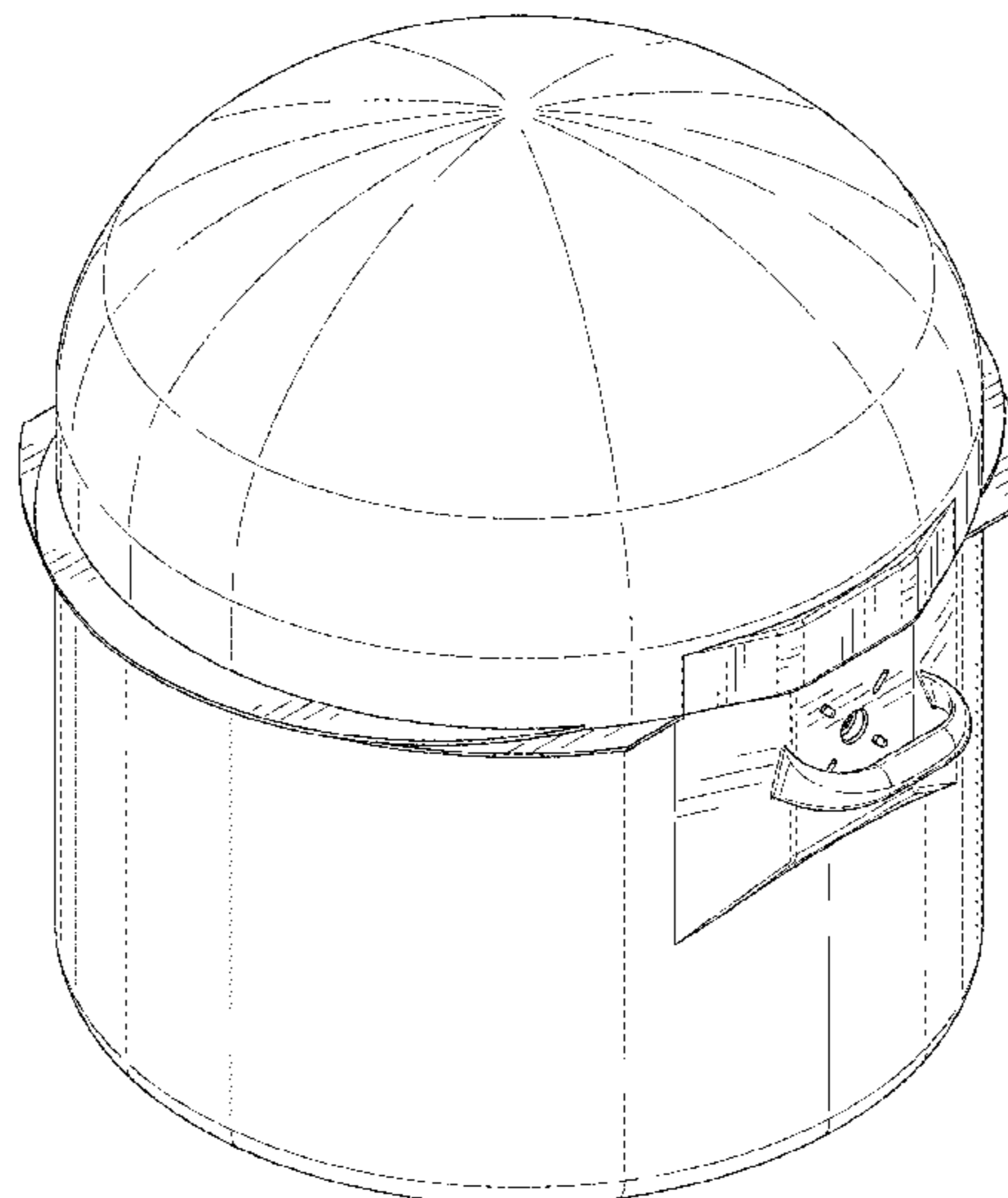
(56) **References Cited**

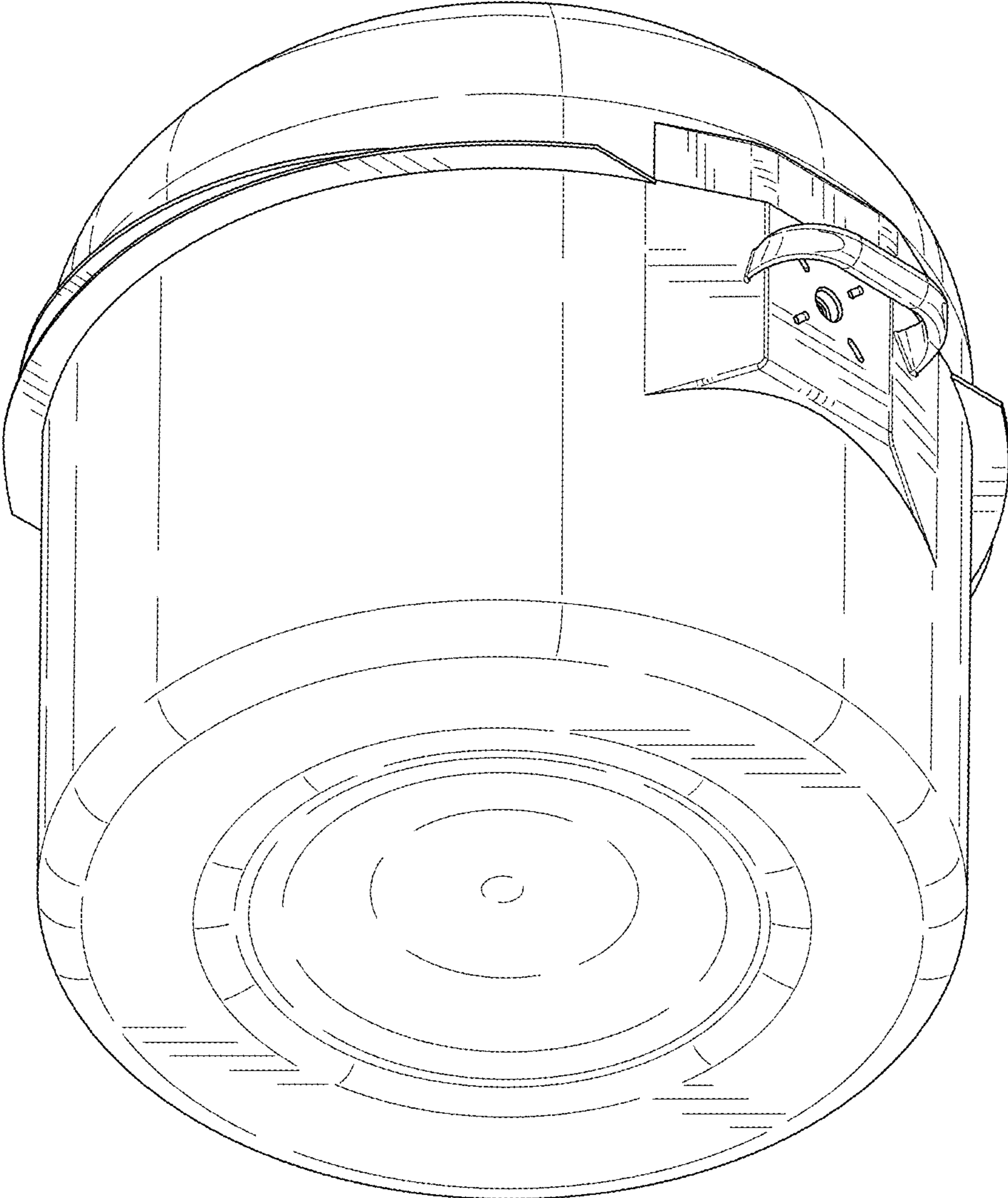
U.S. PATENT DOCUMENTS

- D329,275 S \* 9/1992 McKenzie ..... D23/202
- D336,327 S \* 6/1993 Zorb ..... D23/202
- D394,302 S \* 5/1998 Harris ..... D23/200
- 6,563,312 B2 \* 5/2003 Saho ..... F17C 3/085  
324/248
- 7,284,674 B2 \* 10/2007 Ueda ..... A47J 41/028  
206/524.8
- 7,293,417 B2 \* 11/2007 Baudat ..... F17C 3/022  
62/45.1
- 8,033,416 B2 \* 10/2011 Wang ..... F17C 1/00  
220/581

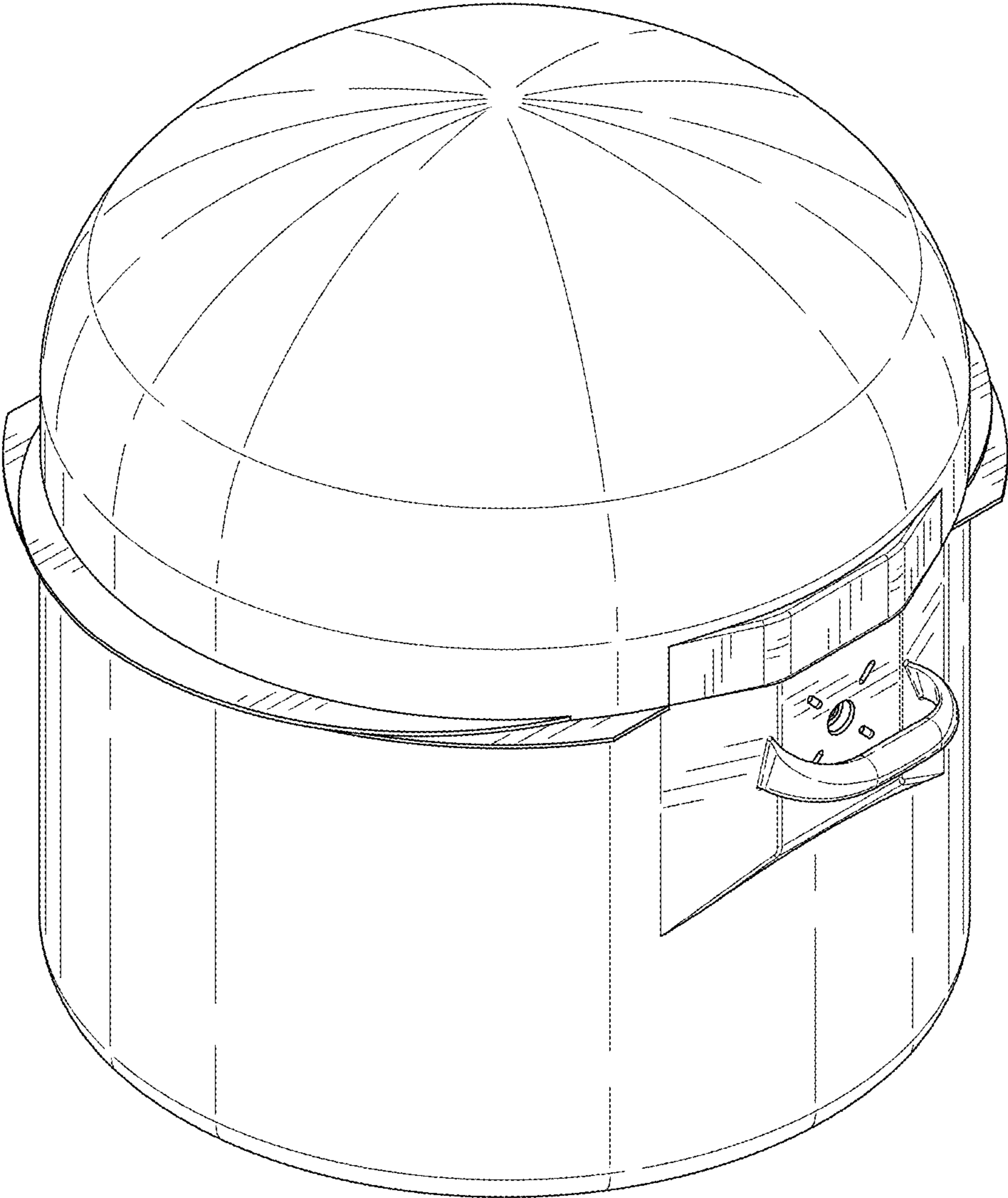
FIG. 1 is a shaded bottom perspective view of a container for a cryogenic dewar showing a new design;  
 FIG. 2 is a shaded top perspective view of the container illustrated in FIG. 1;  
 FIG. 3 is a shaded front view of the container illustrated in FIG. 1;  
 FIG. 4 is a shaded rear view of the container illustrated in FIG. 1;  
 FIG. 5 is a shaded top view of the container illustrated in FIG. 1;  
 FIG. 6 is a shaded bottom view of the container illustrated in FIG. 1; and,  
 FIG. 7 is a shaded side view of the container illustrated in FIG. 1.

**1 Claim, 7 Drawing Sheets**

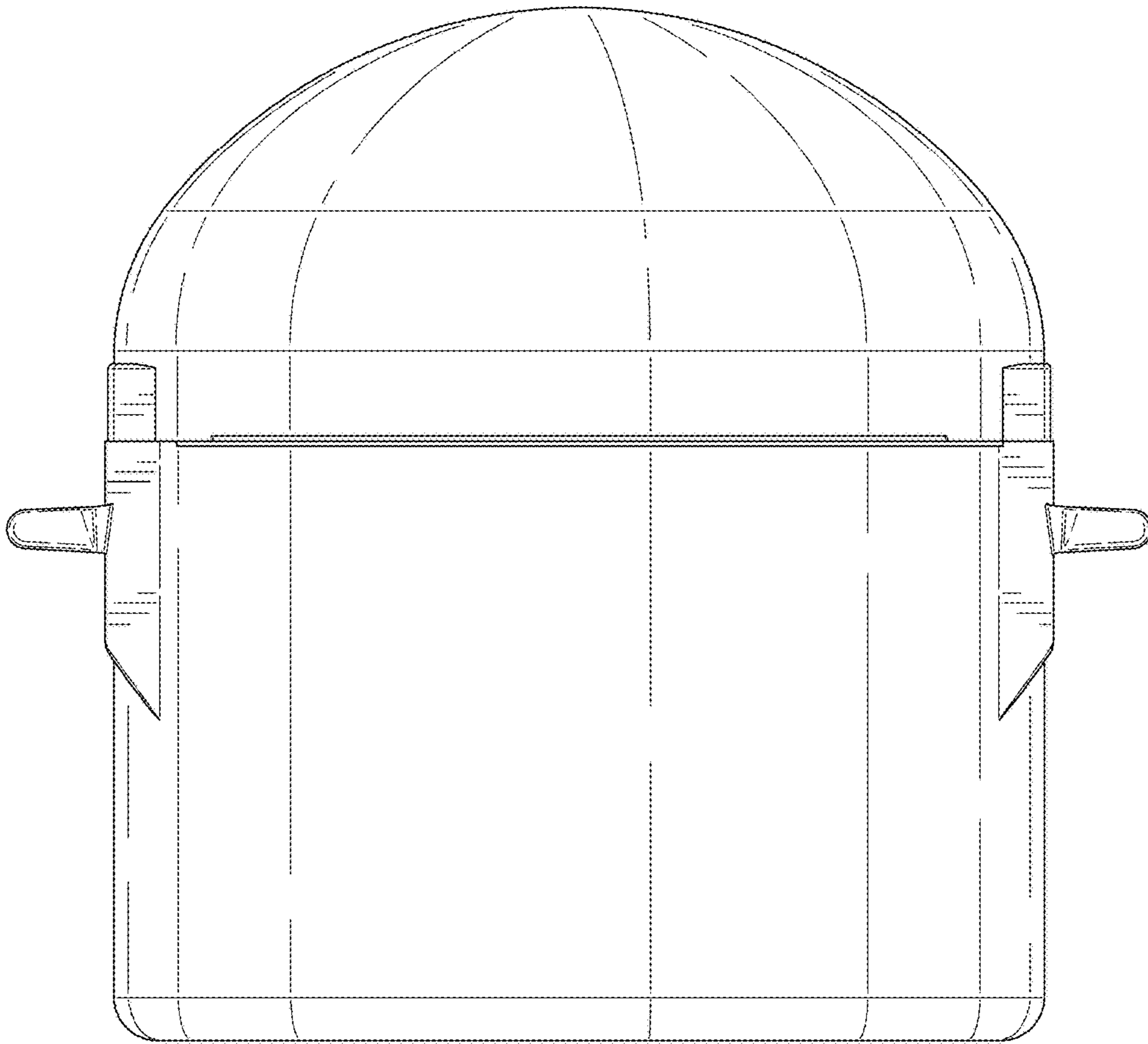




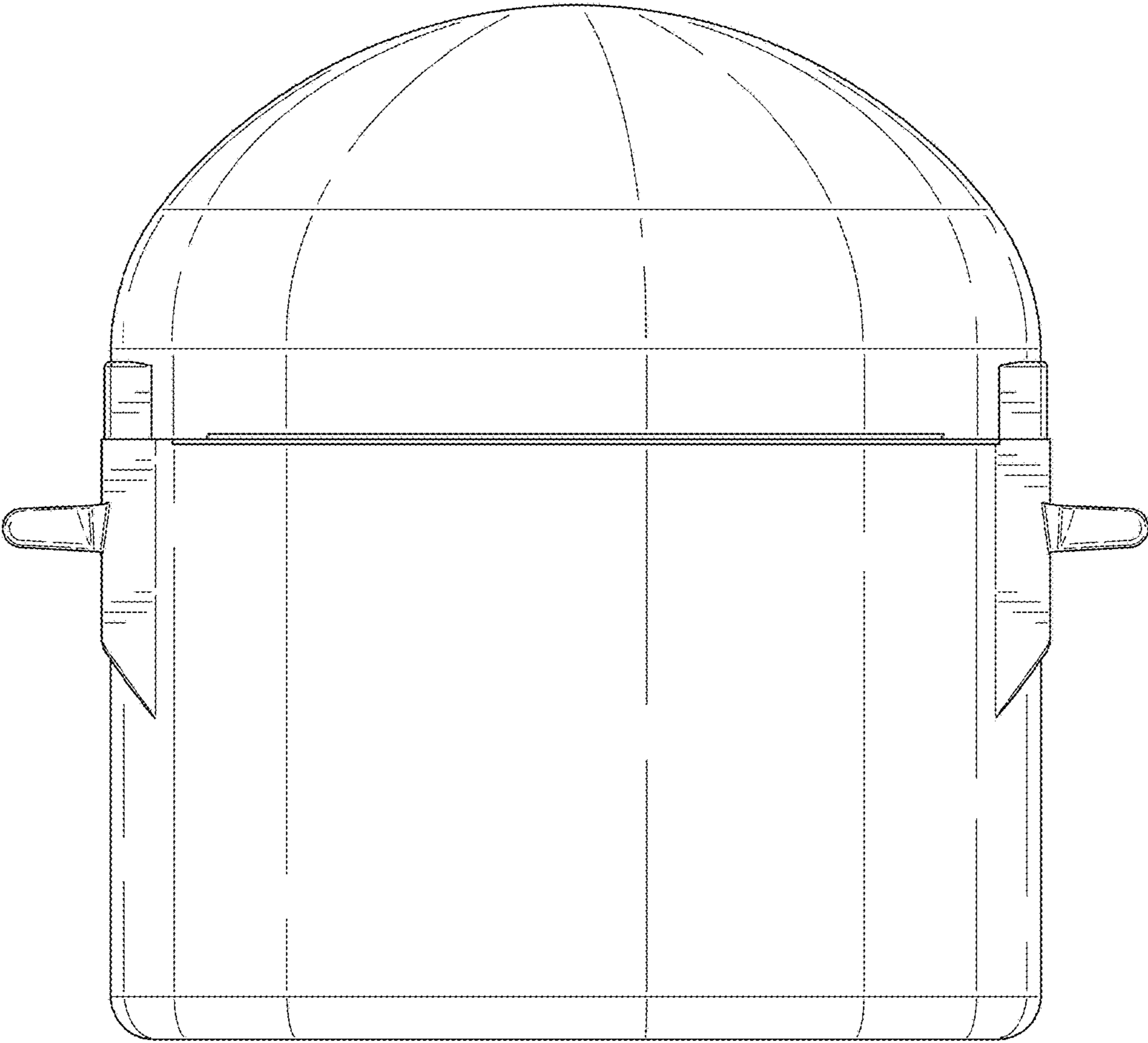
**FIG. 1**



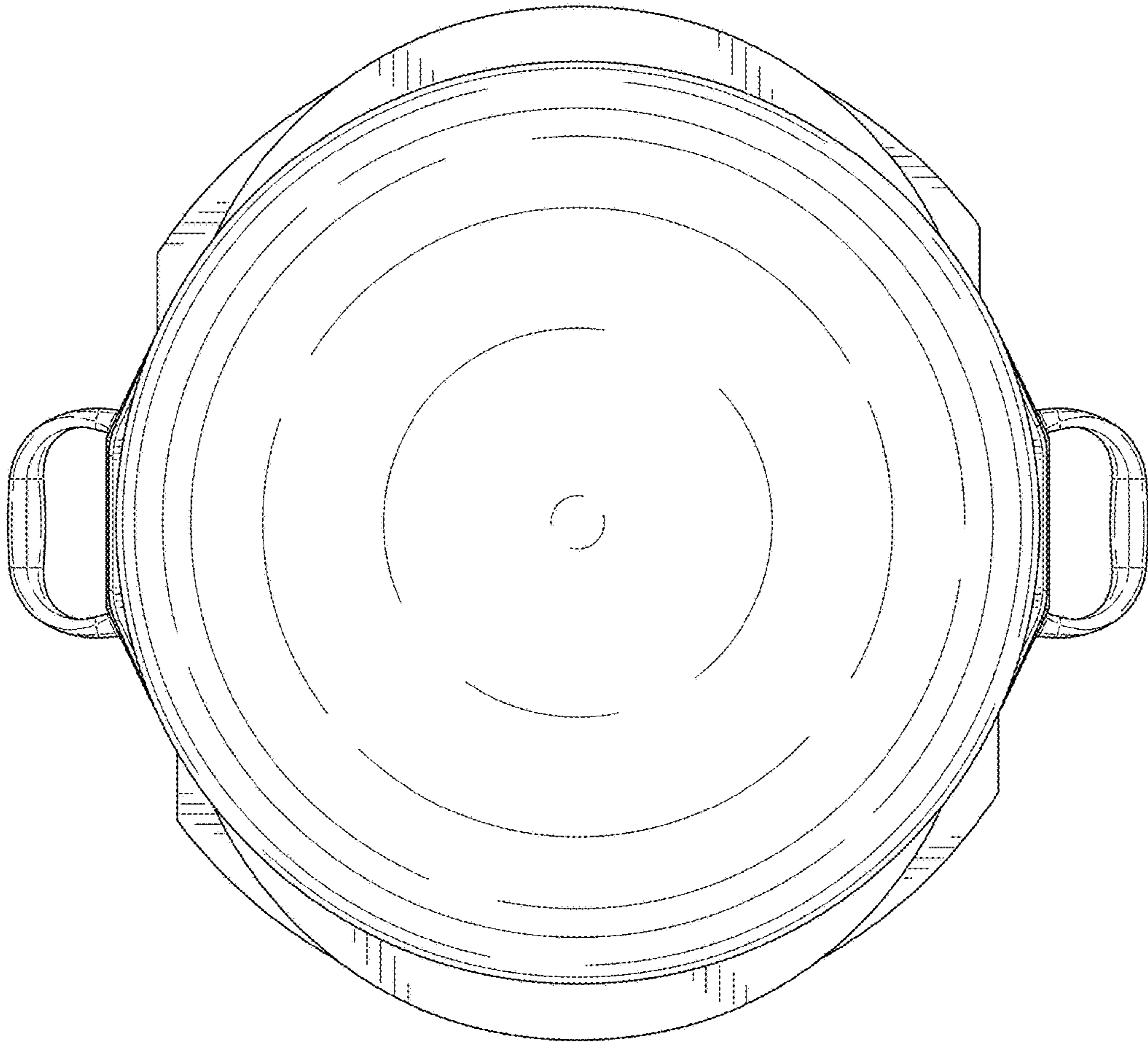
**FIG. 2**



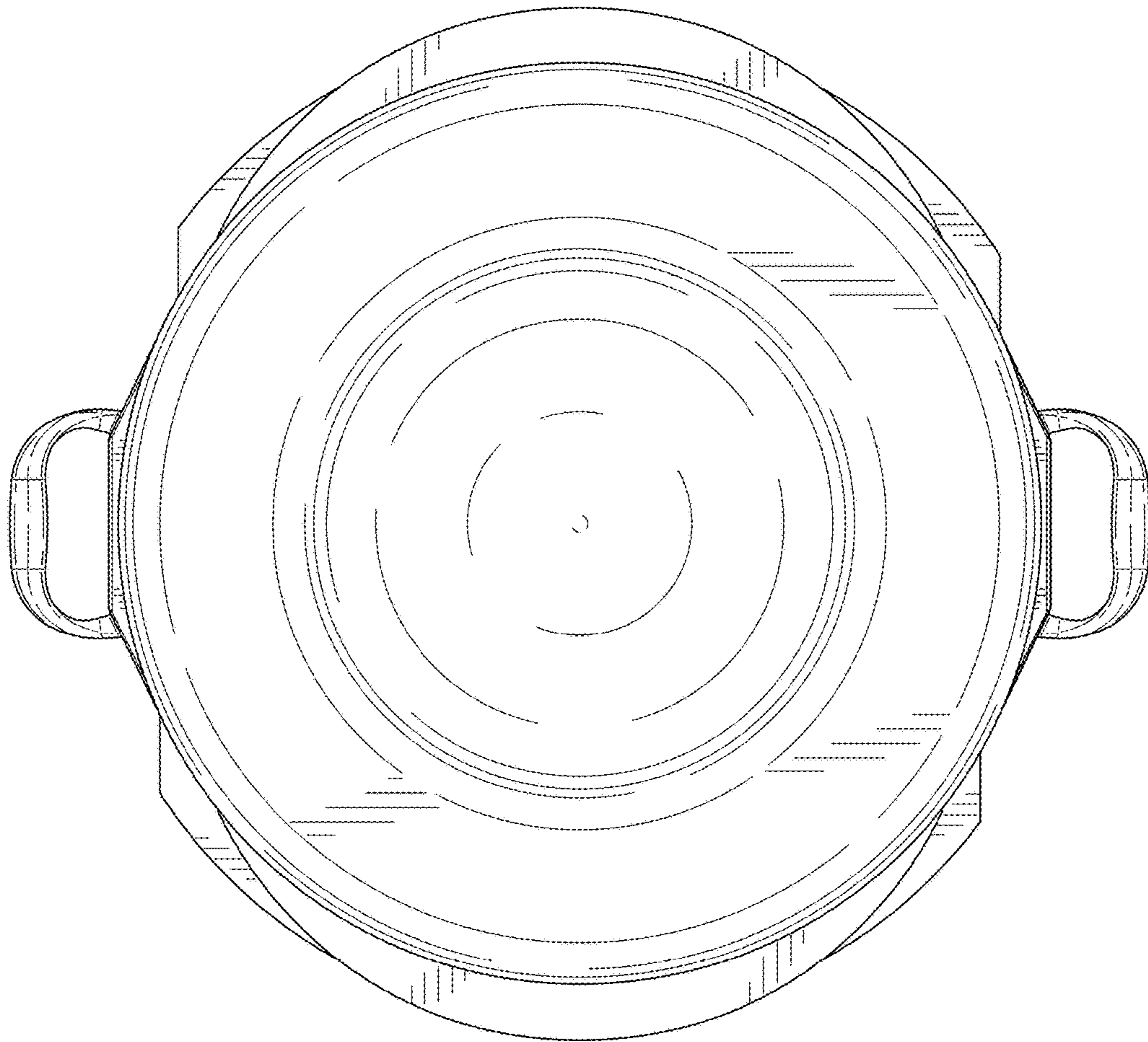
**FIG. 3**



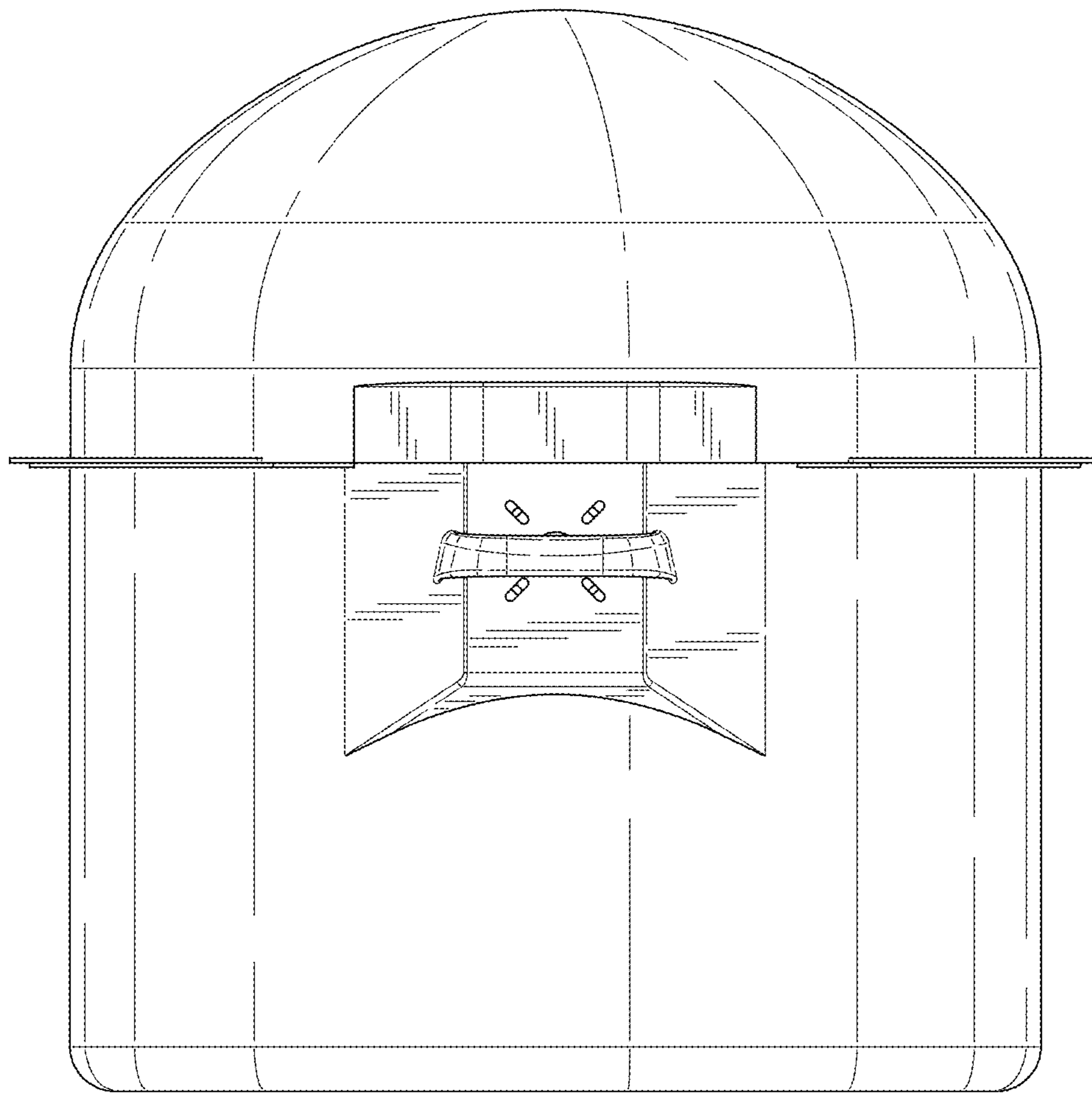
**FIG. 4**



**FIG. 5**



**FIG. 6**



**FIG. 7**