



US00D828482S

(12) **United States Design Patent**
Aldredge et al.

(10) **Patent No.:** **US D828,482 S**
(45) **Date of Patent:** **** Sep. 11, 2018**

(54) **BASE FOR A QUICK-DETACH OPTICS AND ACCESSORY MOUNTING SYSTEM FOR FIREARMS**

(71) Applicant: **B.E. Meyers & Co., Inc.**, Redmond, WA (US)
(72) Inventors: **Thomas Aldredge**, Redmond, WA (US); **Alexander Bigby**, Redmond, WA (US)

(73) Assignee: **B.E. MEYERS & CO., INC.**, Redmond, WA (US)

(**) Term: **15 Years**

(21) Appl. No.: **29/591,283**

(22) Filed: **Jan. 18, 2017**

(51) **LOC (11) Cl.** **22-01**

(52) **U.S. Cl.**
USPC **D22/110**

(58) **Field of Classification Search**
USPC D22/100, 101, 102, 103, 104, 105, 106, D22/107, 108, 109, 110, 111
CPC F41B 5/14; F41B 5/00; F41C 27/00; F41C 23/14; F41C 23/06; F41C 3/00; F41C 7/00; F41C 23/20; F41C 23/08; F41C 23/10; F41G 11/003; F41G 1/18; F41G 1/38; F41G 1/545

See application file for complete search history.

(56) **References Cited**

U.S. PATENT DOCUMENTS

D291,470 S * 8/1987 Bechtel D22/110
6,886,288 B1 * 5/2005 Yocum F41G 11/003
42/124
7,647,720 B1 * 1/2010 Vendetti F41G 1/28
42/126
7,814,698 B2 * 10/2010 Fluhr F41G 1/02
42/111

7,975,419 B2 * 7/2011 Darian F41G 11/003
42/84
8,863,426 B1 * 10/2014 Zinsner F41C 23/16
42/71.01
D732,628 S * 6/2015 Cheng D22/108
D777,870 S * 1/2017 Chung D22/108
D784,481 S * 4/2017 Ding D22/110
D787,007 S * 5/2017 Maughn D22/108
D802,077 S * 11/2017 Geissele D22/109

(Continued)

OTHER PUBLICATIONS

<https://www.amazon.com/dp/B001FSGV68>—Retrieved on Feb. 12, 2018.*

(Continued)

Primary Examiner — Manpreet S Matharu

Assistant Examiner — Mojtaba Tehrani

(74) *Attorney, Agent, or Firm* — K&L Gates LLP

(57) **CLAIM**

The ornamental design for a base for a quick-detach optics and accessory mounting system for firearms, as shown and described.

DESCRIPTION

FIG. 1 is a front perspective view of base for a quick-detach optics and accessory mounting system for firearms, showing our new design;

FIG. 2 is a front view thereof;

FIG. 3 is a rear view thereof;

FIG. 4 is a right side view thereof;

FIG. 5 is a left side view thereof;

FIG. 6 is a top view thereof;

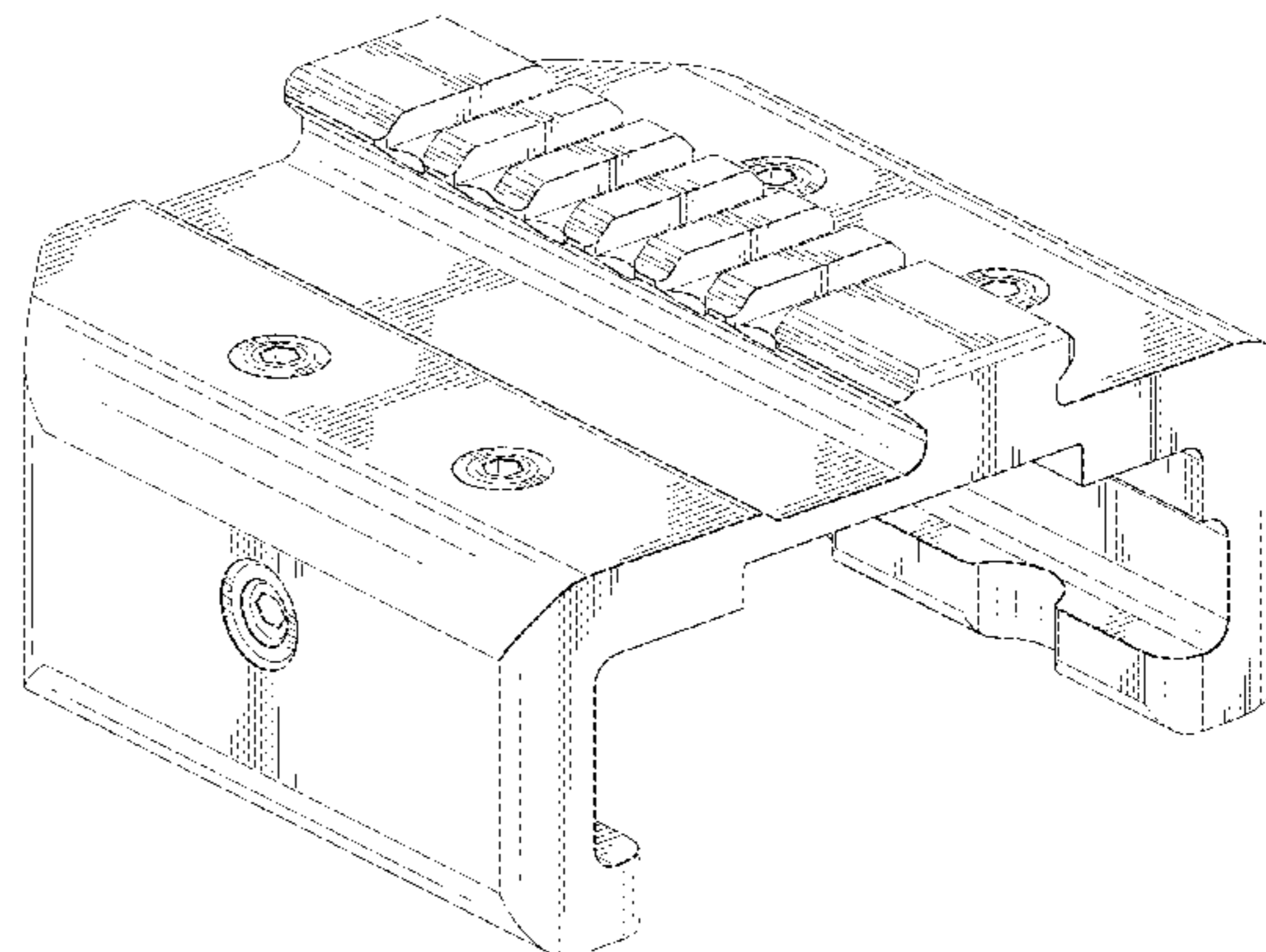
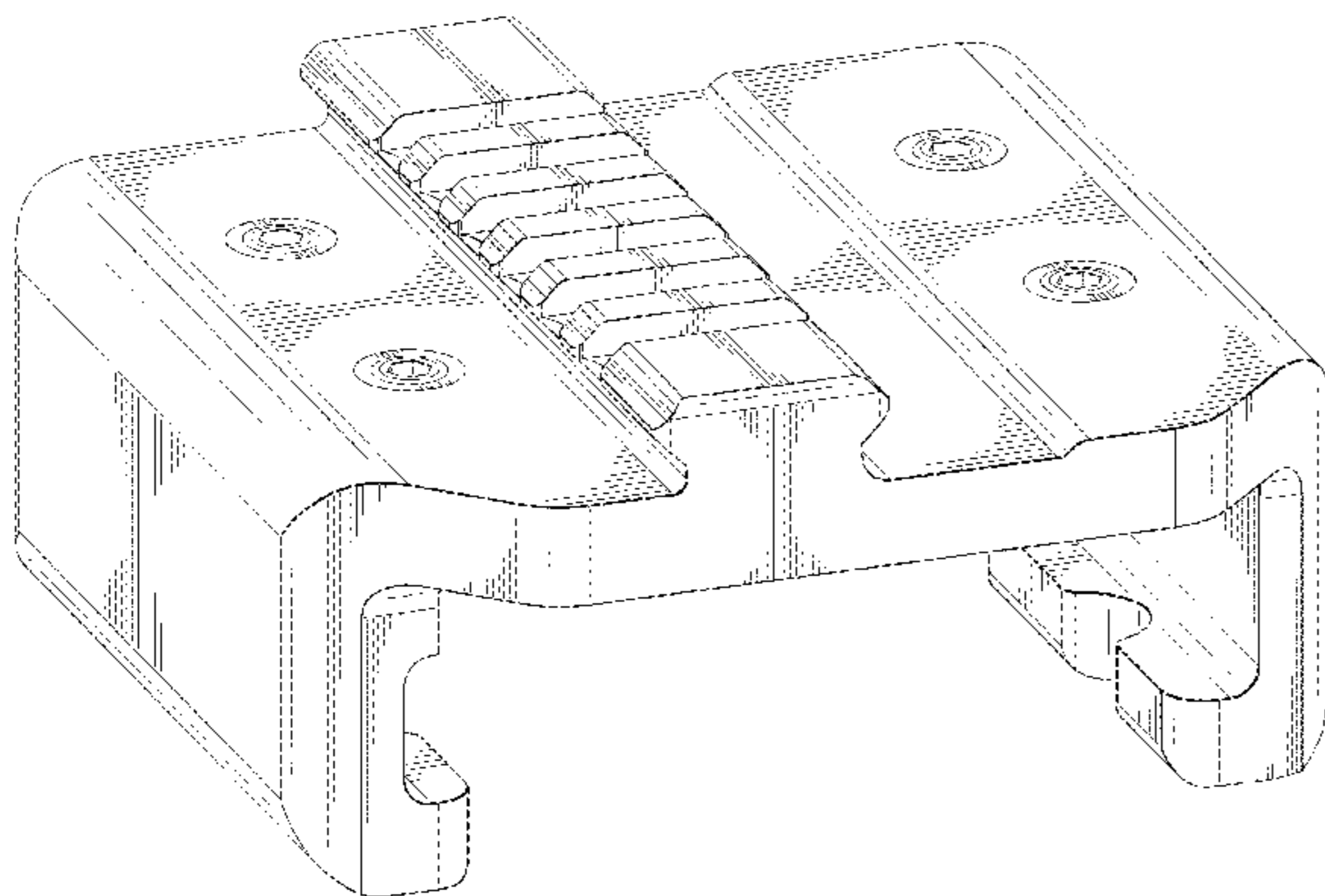
FIG. 7 is a bottom view thereof; and,

FIG. 8 is a rear perspective view thereof.

The broken lines in the figure drawings represent unclaimed portion of the design only and form no part of the claim.

The portions including surface shading represent contour and not surface ornamentation.

1 Claim, 8 Drawing Sheets



(56)

References Cited

U.S. PATENT DOCUMENTS

9,879,941 B2 * 1/2018 Compton F41G 11/003
42/84
2010/0192446 A1 * 8/2010 Darian F41C 23/22
42/84
2012/0137563 A1 * 6/2012 Ubl F41A 11/02
42/75.03

OTHER PUBLICATIONS

<https://www.amazon.com/G3-MP5-Rail-Mount-UTG/dp/B01E7BBVCS>—Retrieved on Feb. 12, 2018.*
<https://www.modarmory.com/product/m2-browning-scope-mount-with-picatinny-rail/>—Retrieved Jun. 12, 2018.*
<https://www.amazon.com/dp/B006ESJJUY>—Retrieved Jun. 12, 2018.*

* cited by examiner

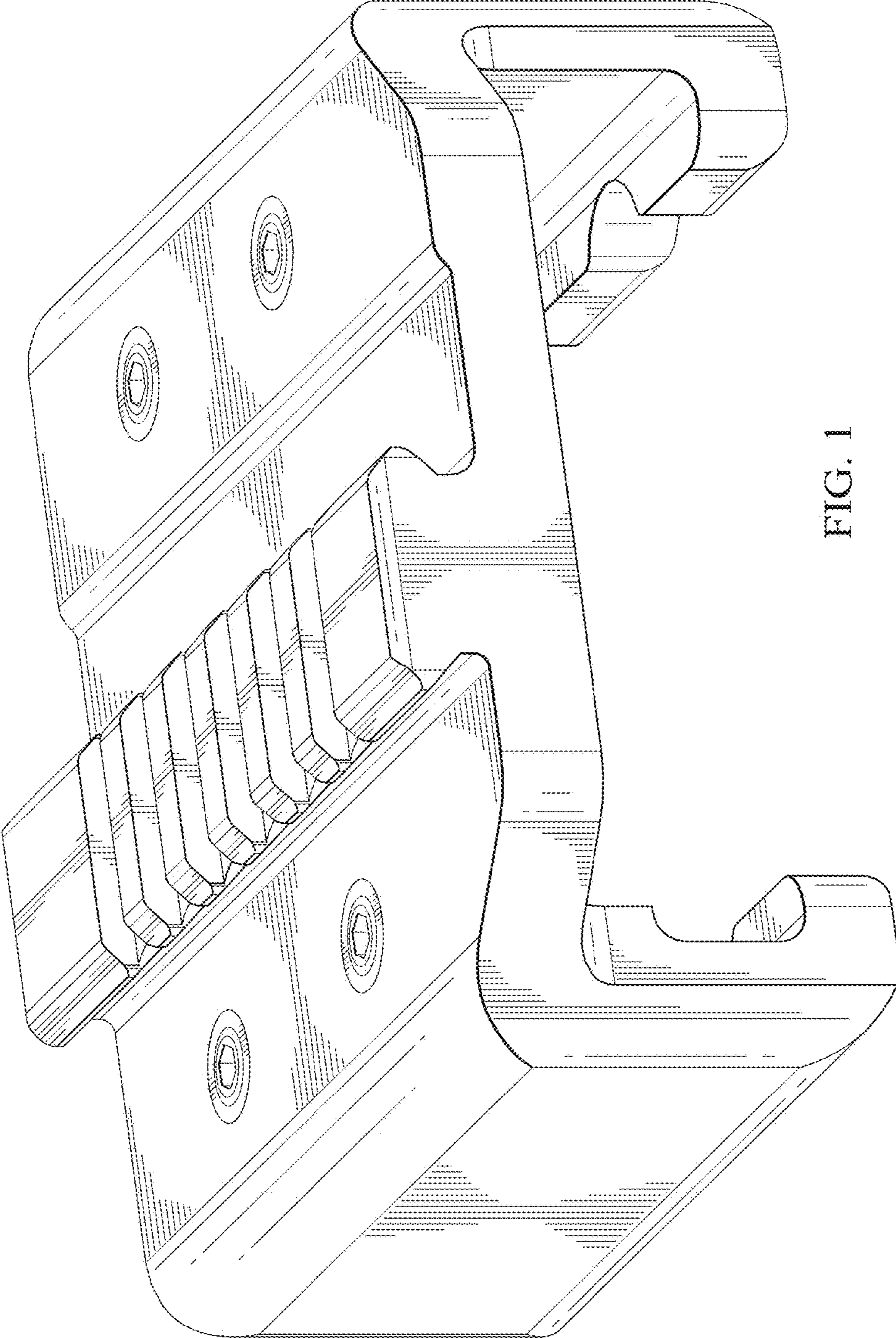


FIG. 1

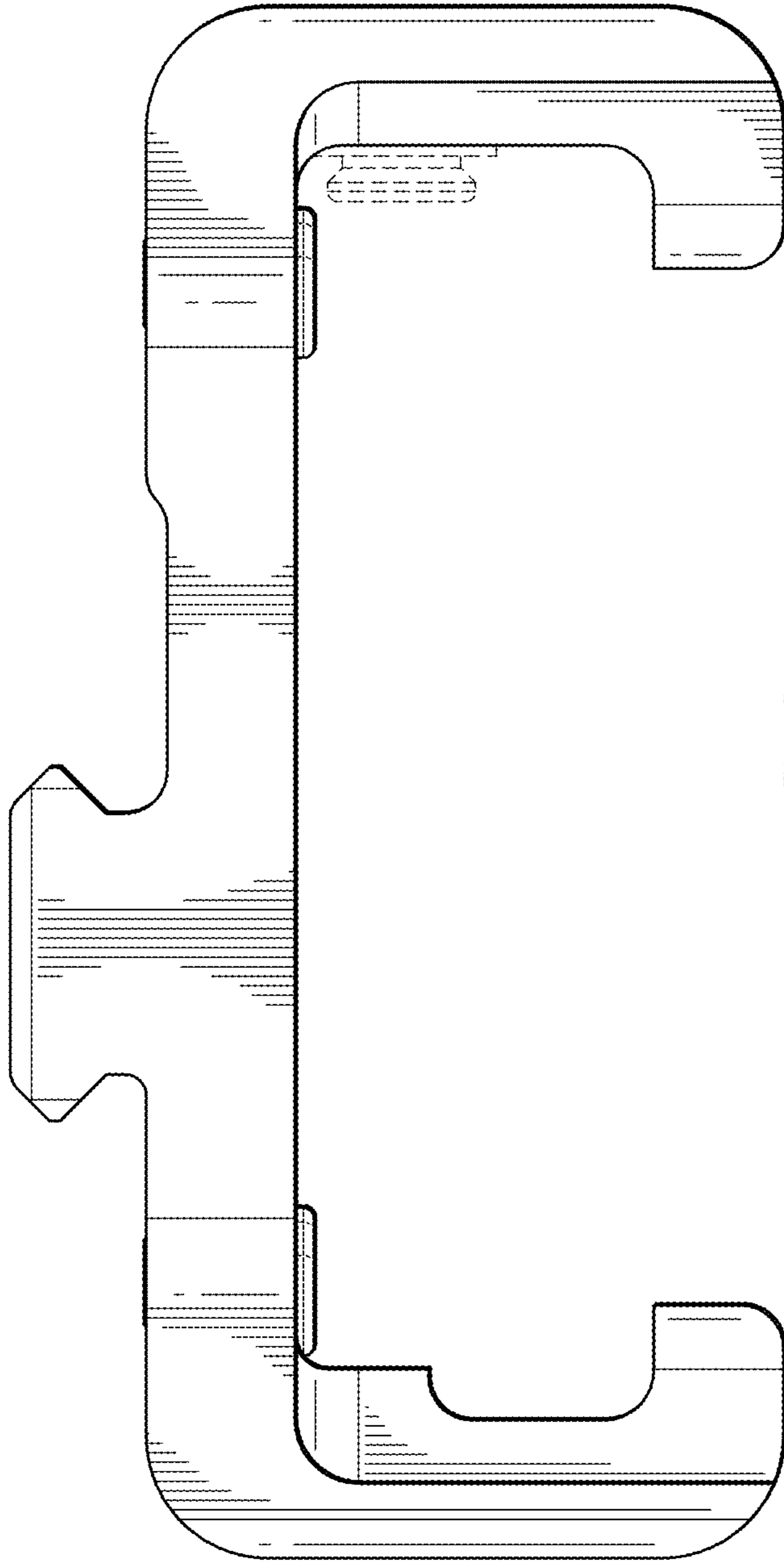


FIG. 2

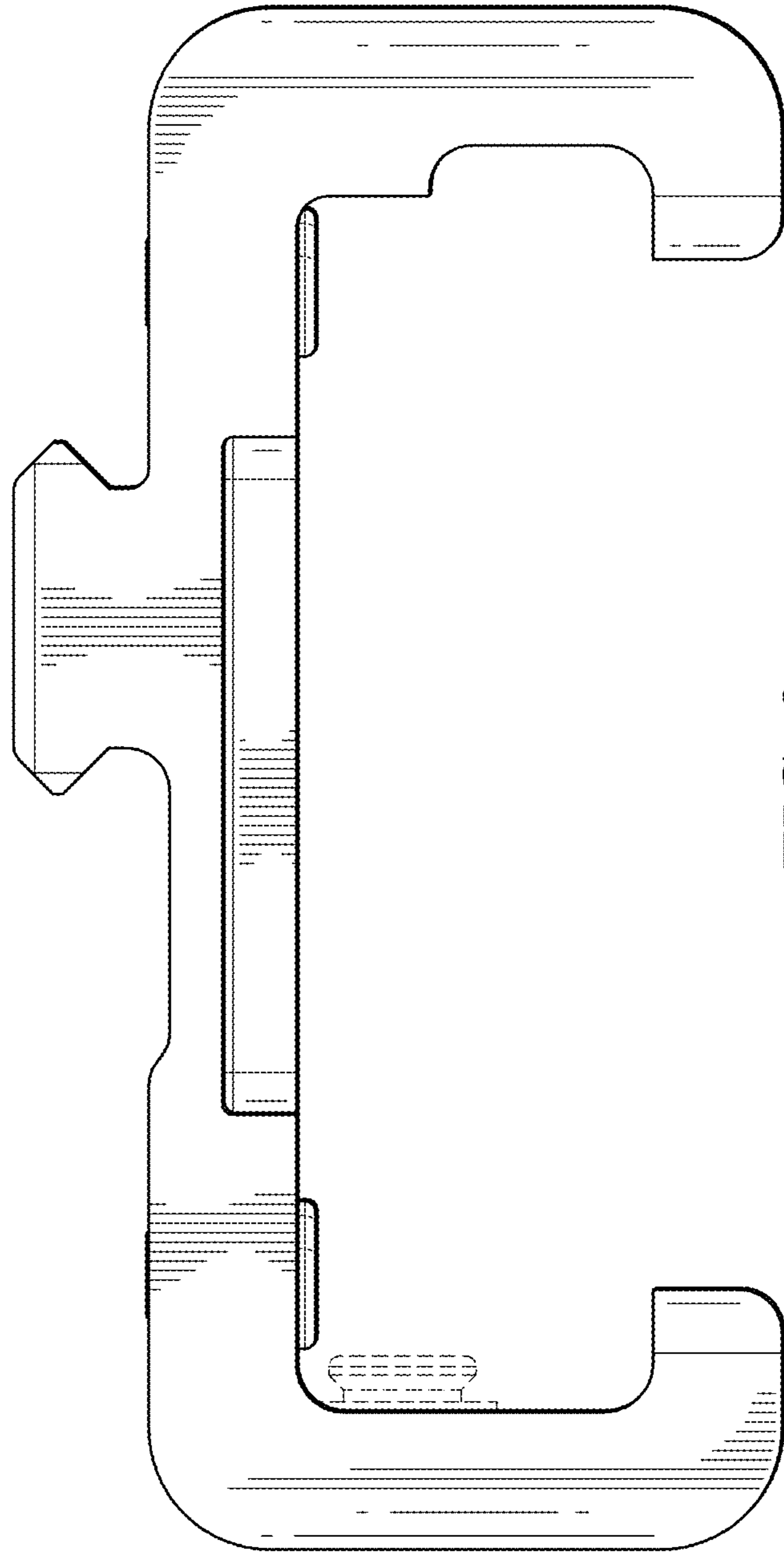


FIG. 3

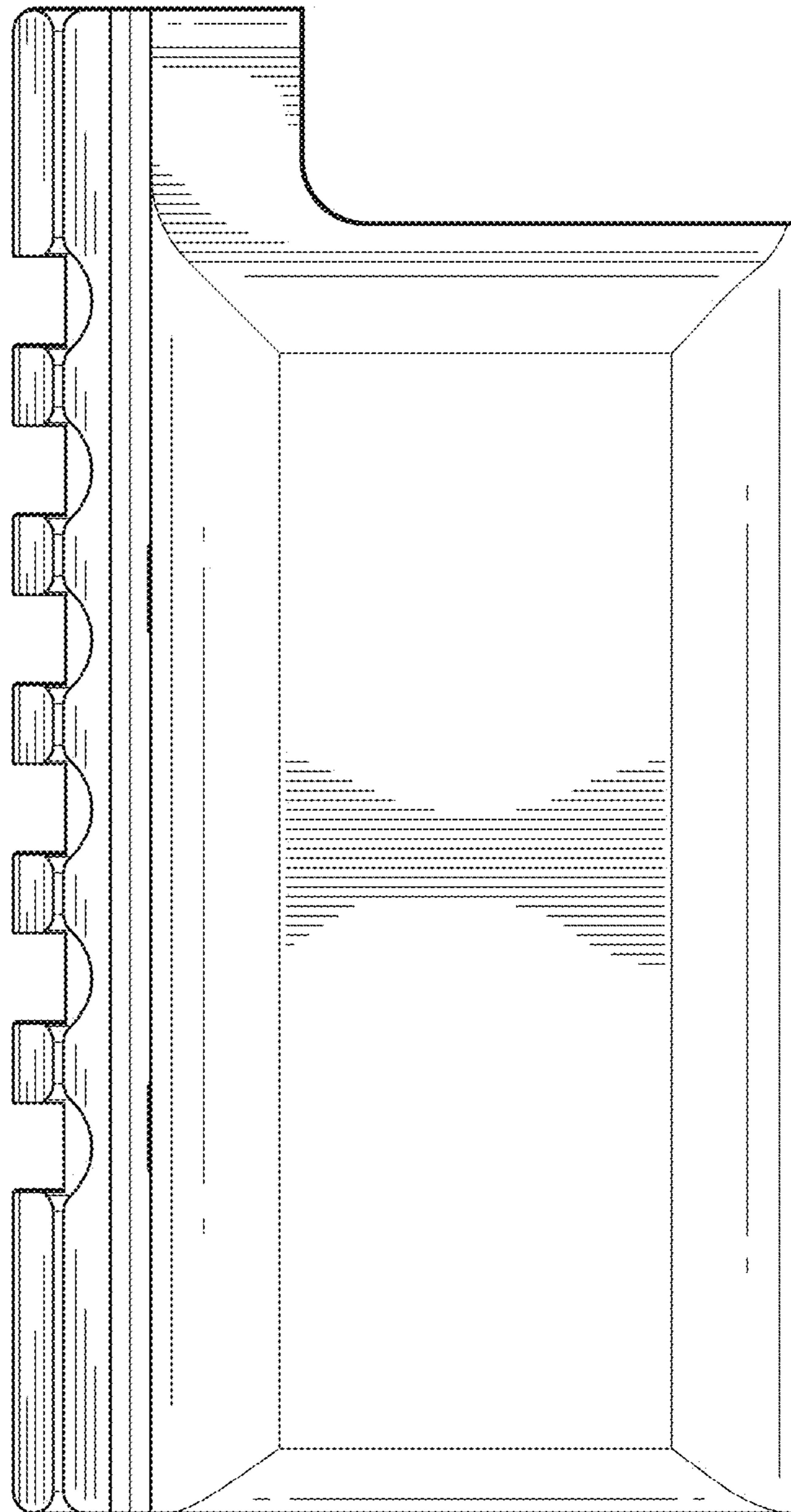


FIG. 4

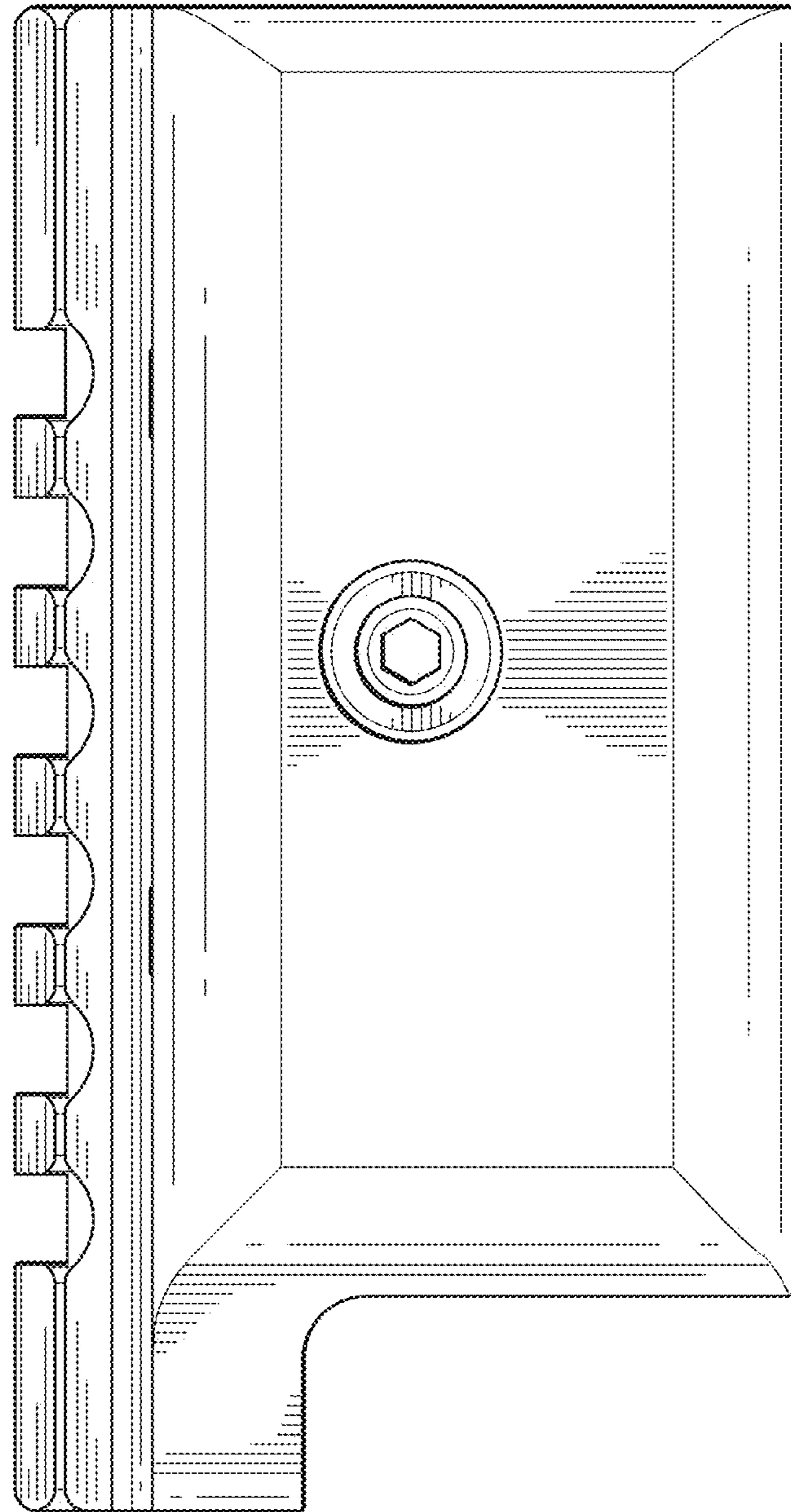


FIG. 5

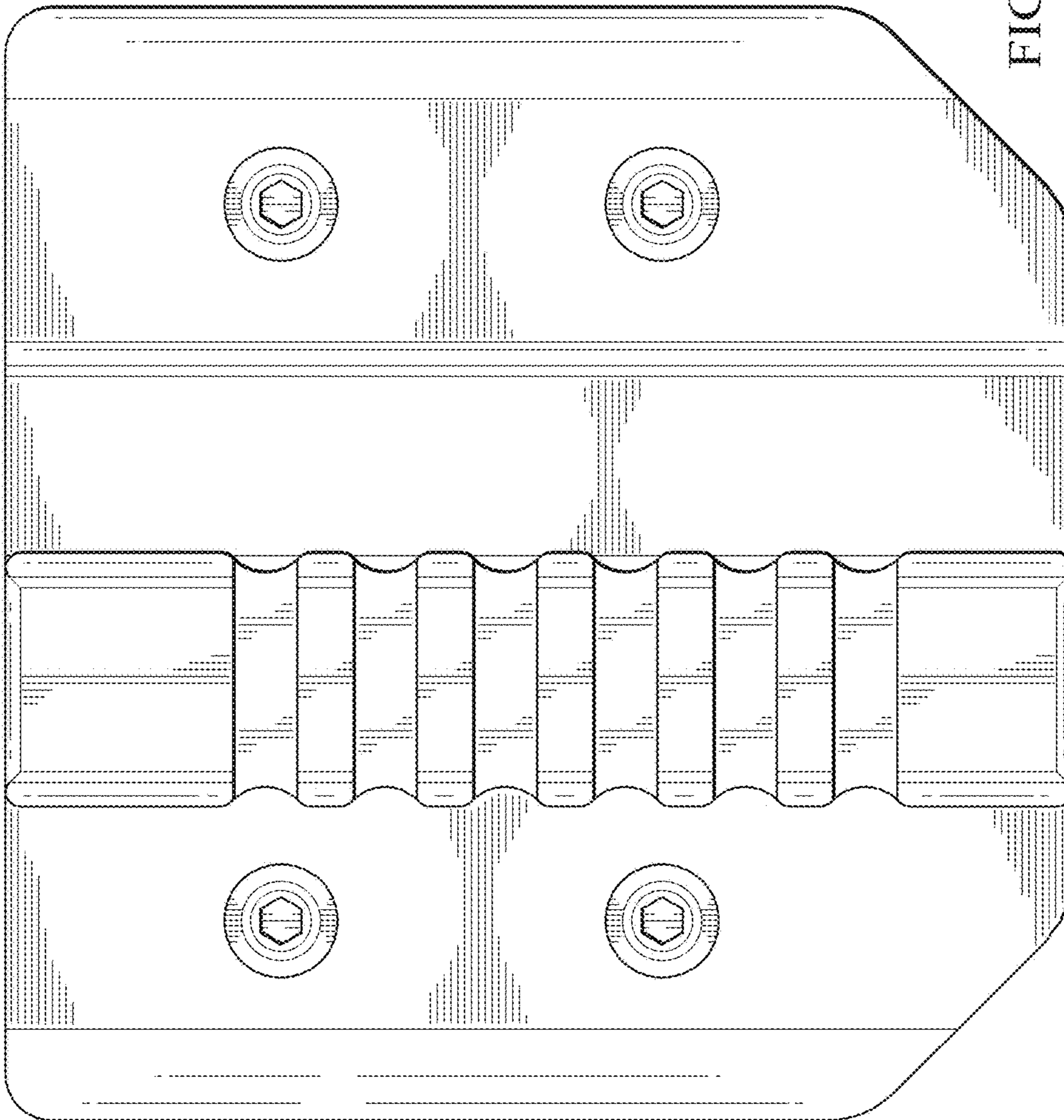


FIG. 6

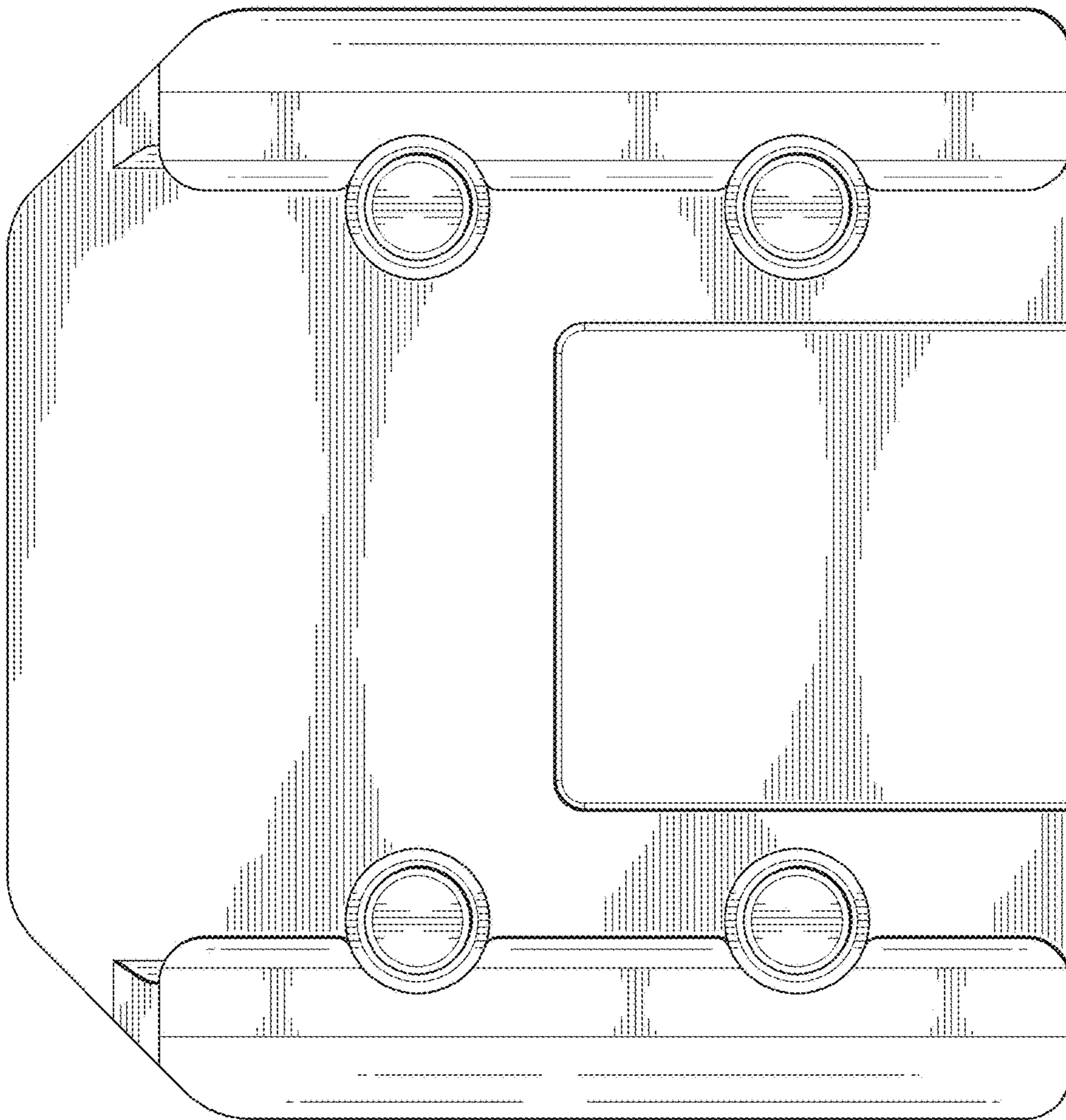


FIG. 7

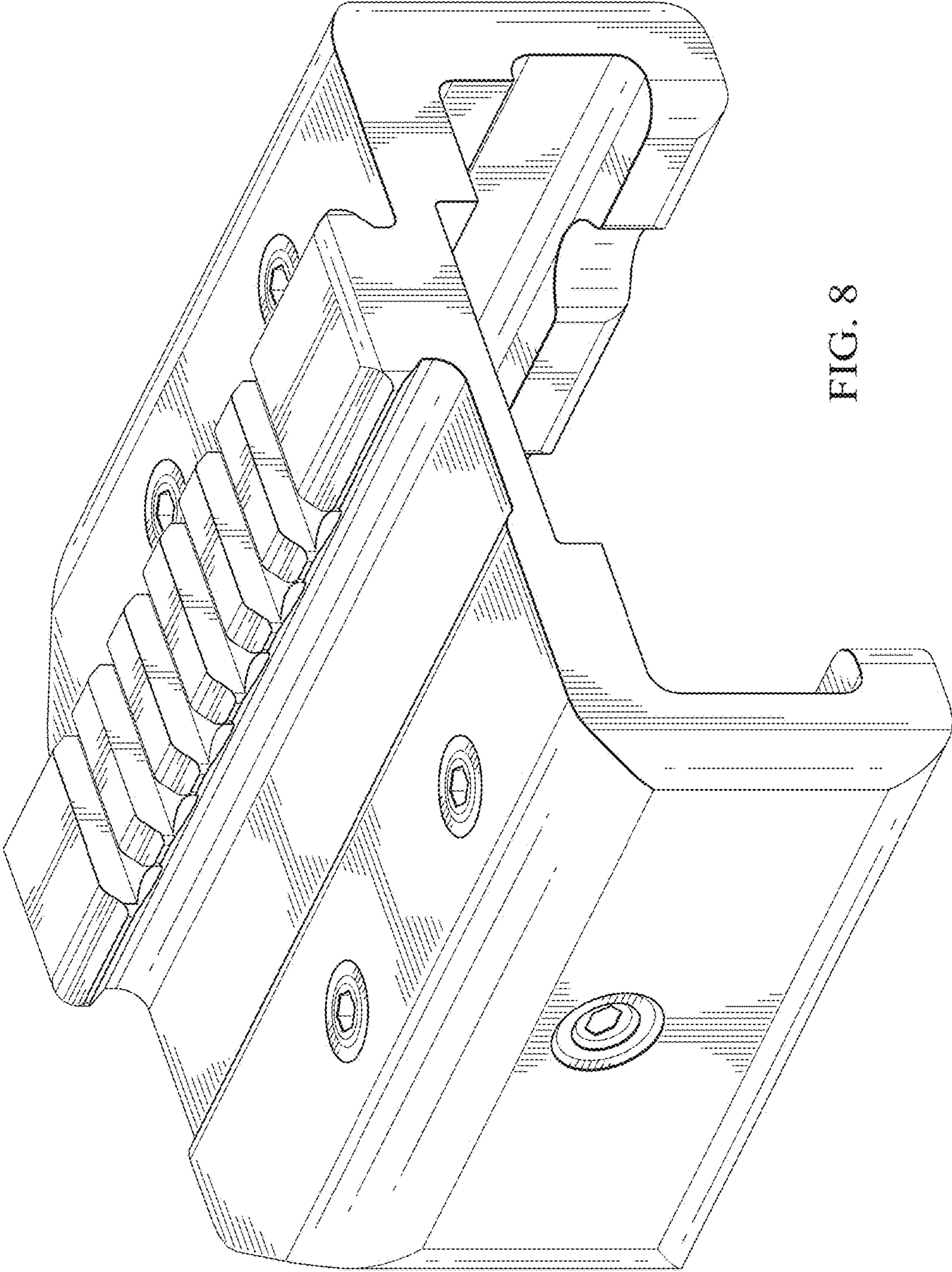


FIG. 8