



US00D828481S

(12) **United States Design Patent** (10) **Patent No.:** **US D828,481 S**
Aldredge et al. (45) **Date of Patent:** **** Sep. 11, 2018**

(54) **QUICK-DETACH OPTICS AND ACCESSORY MOUNTING SYSTEM FOR FIREARMS**

(71) Applicant: **B.E. Meyers & Co., Inc.**, Redmond, WA (US)

(72) Inventors: **Thomas Aldredge**, Redmond, WA (US); **Alexander Bigby**, Redmond, WA (US)

(73) Assignee: **B.E. MEYERS & CO., INC.**, Redmond, WA (US)

(**) Term: **15 Years**

(21) Appl. No.: **29/591,280**

(22) Filed: **Jan. 18, 2017**

(51) **LOC (11) Cl.** **22-01**

(52) **U.S. Cl.**
USPC **D22/110**

(58) **Field of Classification Search**
USPC D22/100, 101, 102, 103, 104, 105, 106, D22/107, 108, 109, 110, 111
CPC F41B 5/14; F41B 5/00; F41C 27/00; F41C 23/14; F41C 23/06; F41C 3/00; F41C 7/00; F41C 23/20; F41C 23/08; F41C 23/10; F41G 11/003; F41G 1/18; F41G 1/38; F41G 1/545

See application file for complete search history.

(56) **References Cited**

U.S. PATENT DOCUMENTS

D318,313 S * 7/1991 Bechtel D22/110
D322,834 S * 12/1991 Lawlor D22/110
6,886,288 B1 * 5/2005 Yocum F41G 11/003
42/124
D543,605 S * 5/2007 Cheng D22/110
7,647,720 B1 * 1/2010 Vendetti F41G 1/28
42/126
D630,698 S * 1/2011 Peterson D22/103
D732,628 S * 6/2015 Cheng D22/108

D752,169 S * 3/2016 Merlino D22/108
D784,481 S * 4/2017 Ding D22/110
D784,483 S * 4/2017 Ding D22/110
D791,902 S * 7/2017 Merlino D22/108
D802,077 S * 11/2017 Geissele D22/109
2013/0118051 A1 * 5/2013 Baker F41G 11/003
42/90
2015/0198397 A1 * 7/2015 Motley F41A 3/66
42/90

(Continued)

OTHER PUBLICATIONS

<https://www.modarmory.com/product/m2-browning-scope-mount-with-picatinny-rail/>—Retrieved Jun. 12, 2018.*
<https://www.amazon.com/dp/B006ESJJUY>—Retrieved Jun. 12, 2018.*

Primary Examiner — Manpreet S Matharu

Assistant Examiner — Mojtaba Tehrani

(74) *Attorney, Agent, or Firm* — K&L Gates LLP

(57) **CLAIM**

The ornamental design for a quick-detach optics and accessory mounting system for firearms, as shown and described.

DESCRIPTION

FIG. 1 is a front perspective view of a quick-detach optics and accessory mounting system for firearms, showing our new design;

FIG. 2 is a rear view thereof;

FIG. 3 is a front view thereof;

FIG. 4 is a right side view thereof;

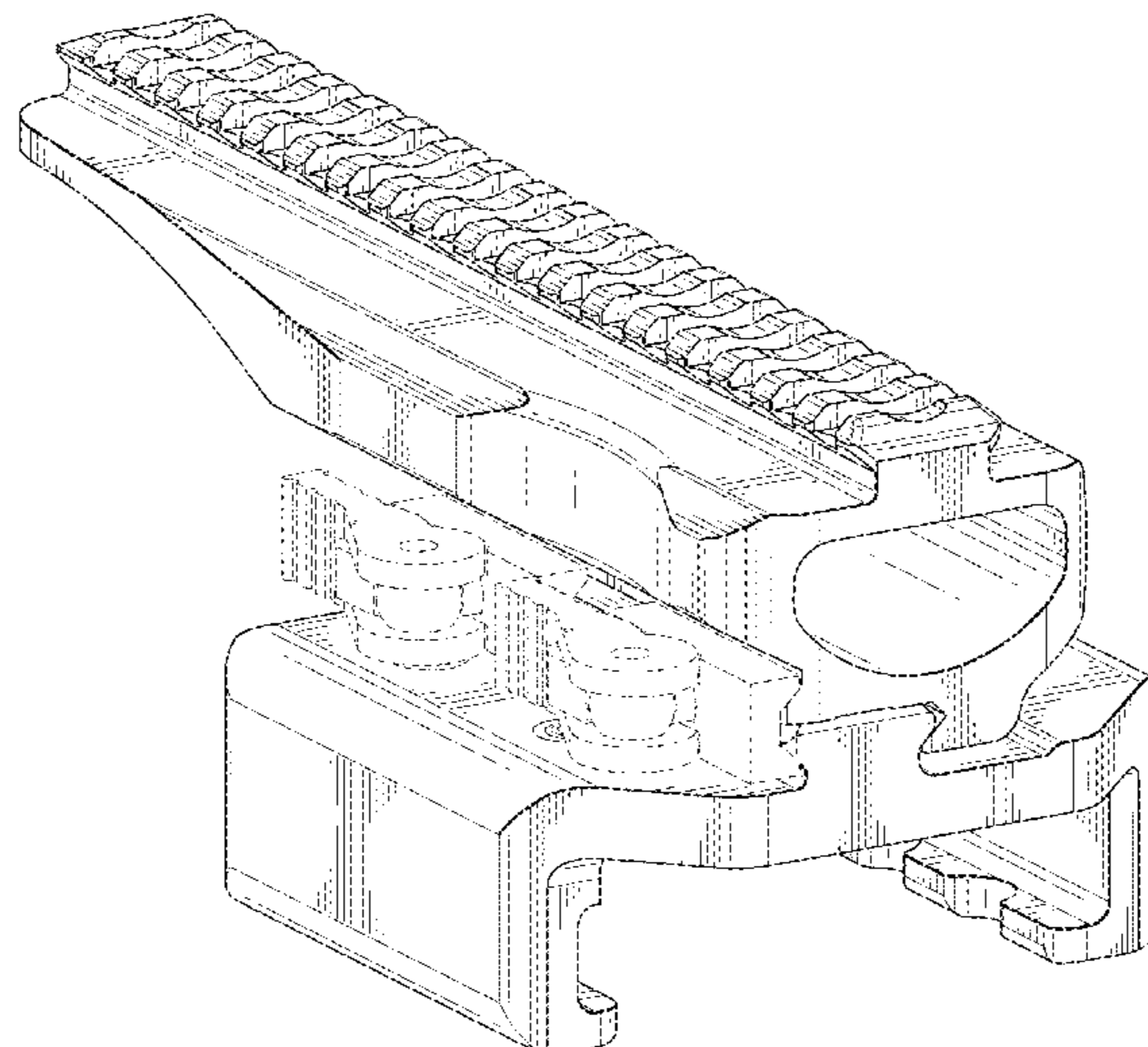
FIG. 5 is a left side view thereof;

FIG. 6 is a top view thereof; and,

FIG. 7 is a bottom view thereof.

The broken lines in the figure drawings represent unclaimed portions of the design only and form no part of the claim. The portions including surface shading represent contour and not surface ornamentation.

1 Claim, 6 Drawing Sheets



(56)

References Cited

U.S. PATENT DOCUMENTS

2017/0023333 A1* 1/2017 Faifer F41G 11/003

* cited by examiner

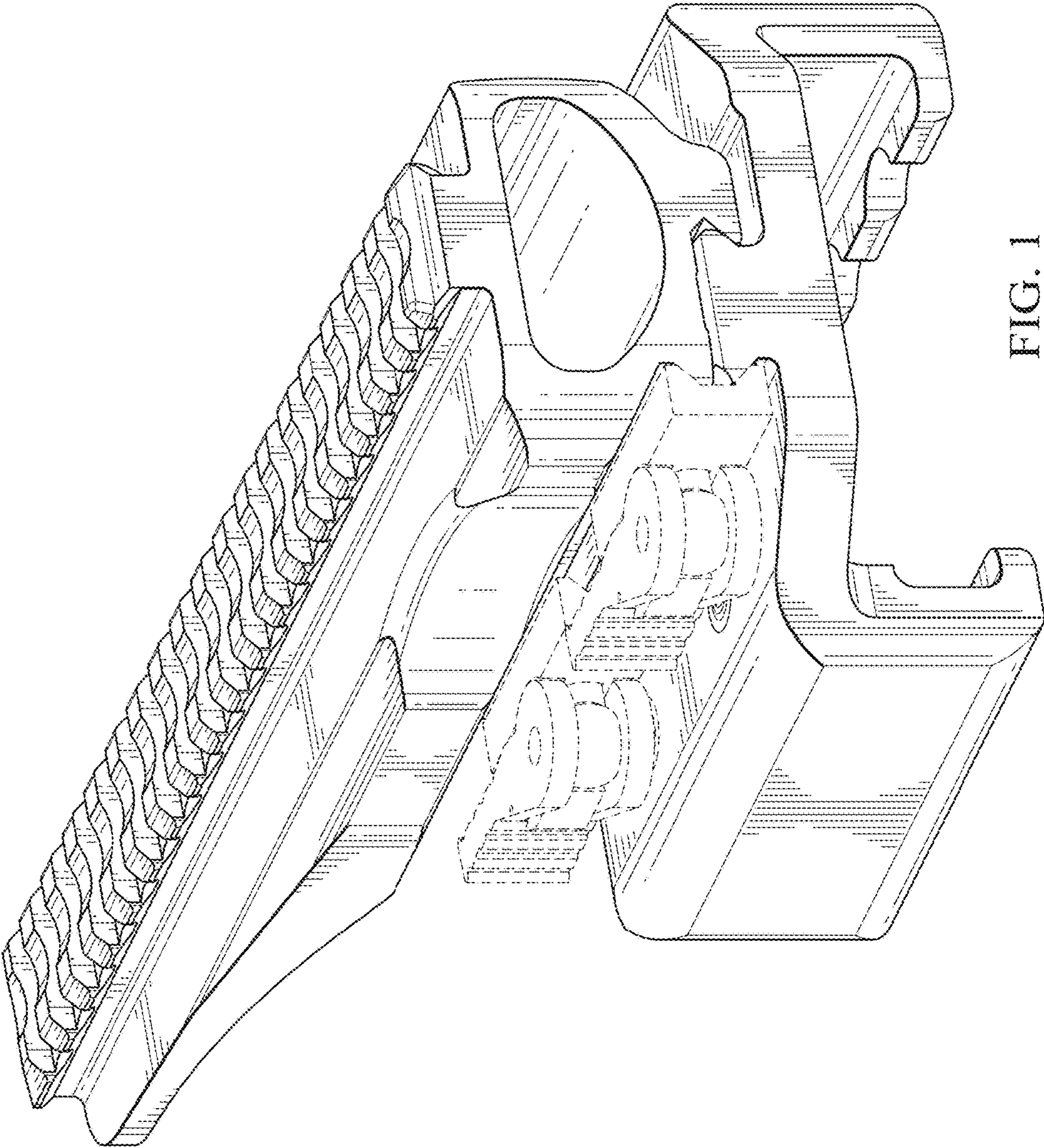


FIG. 1

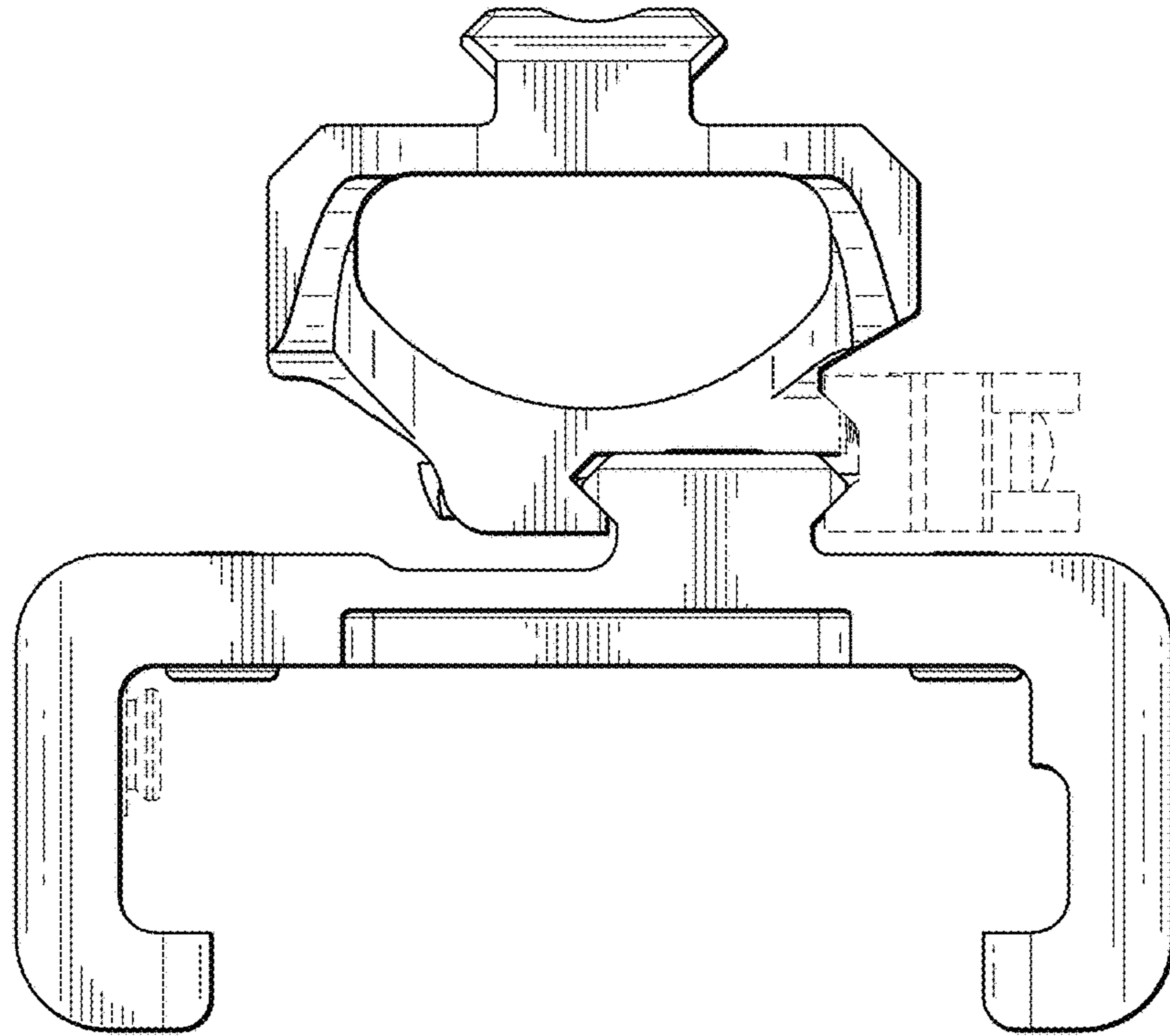


FIG. 2

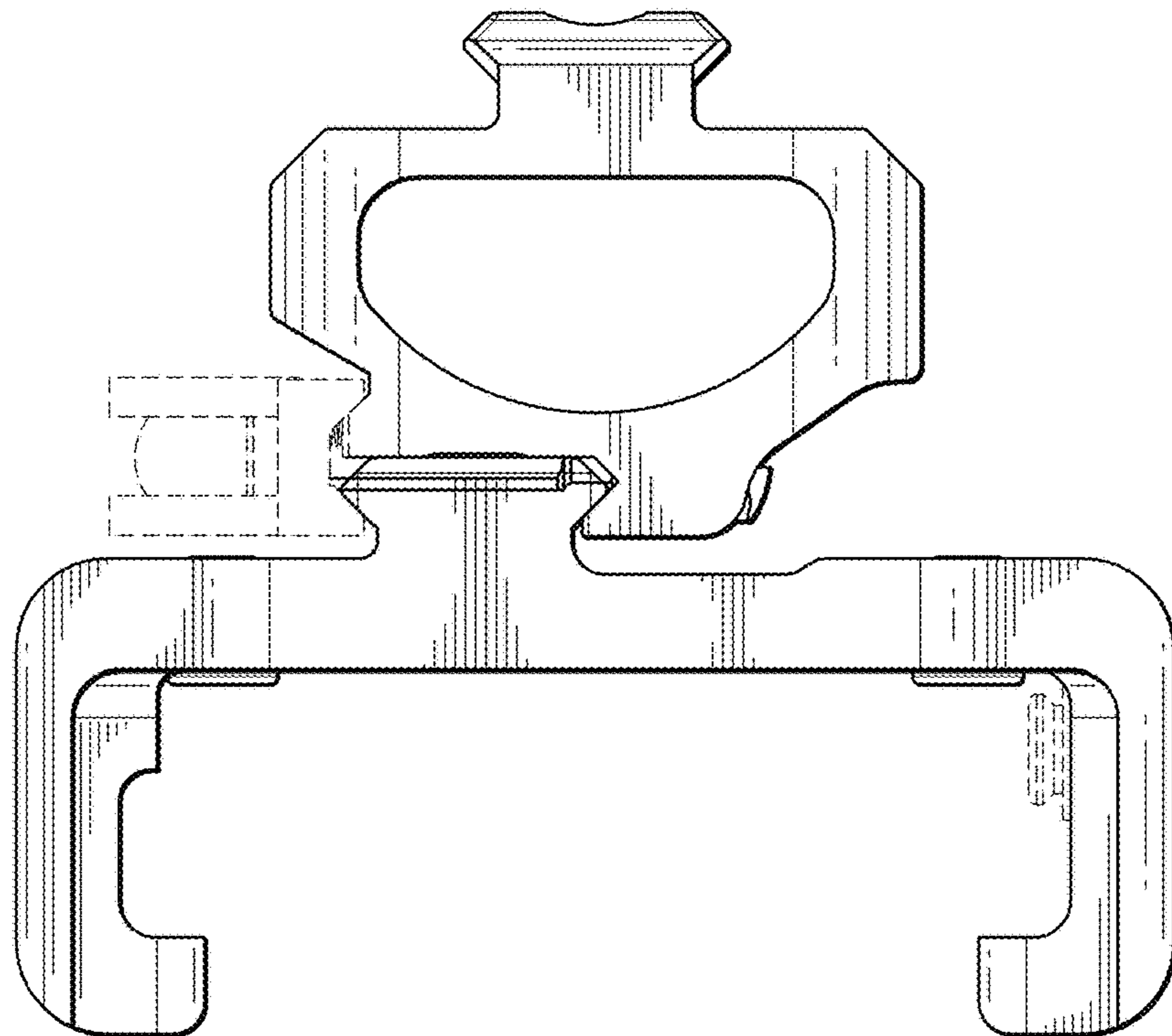


FIG. 3

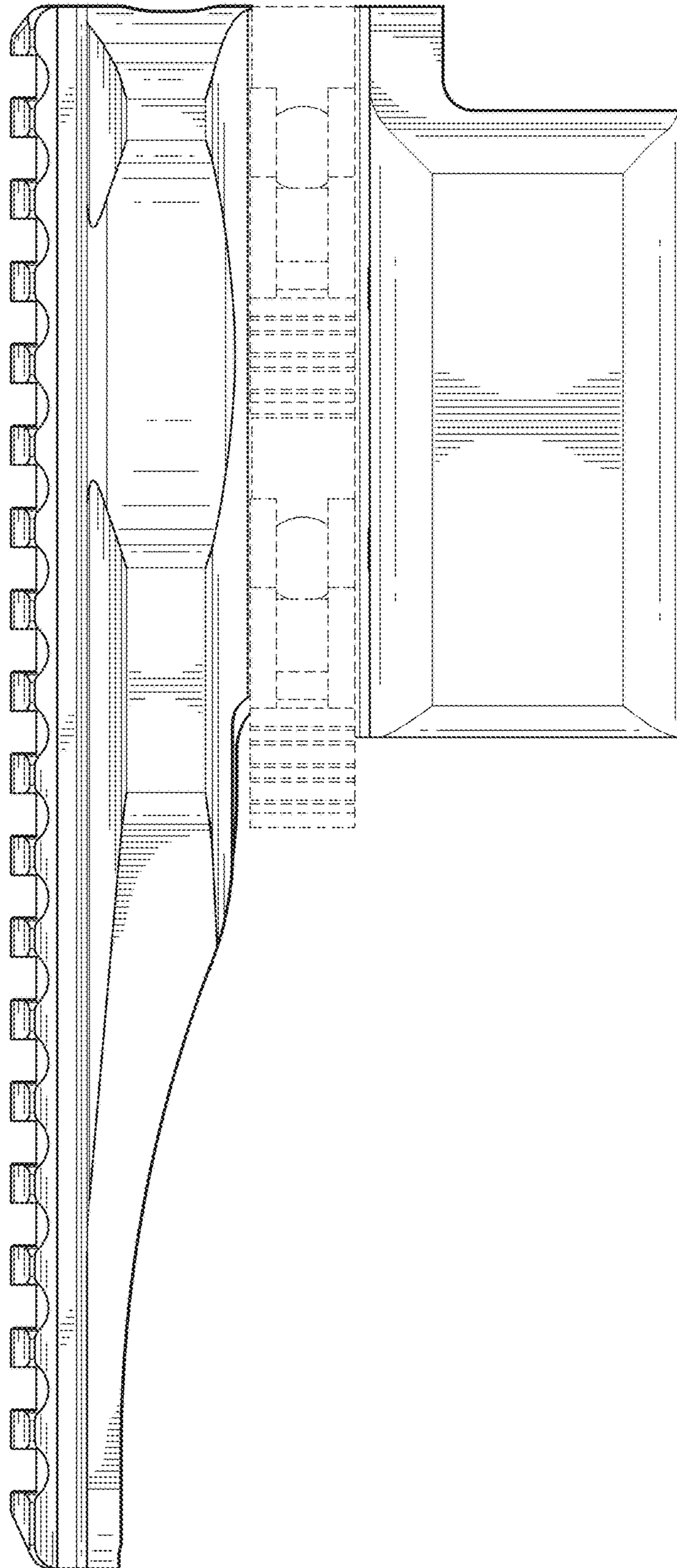


FIG. 4

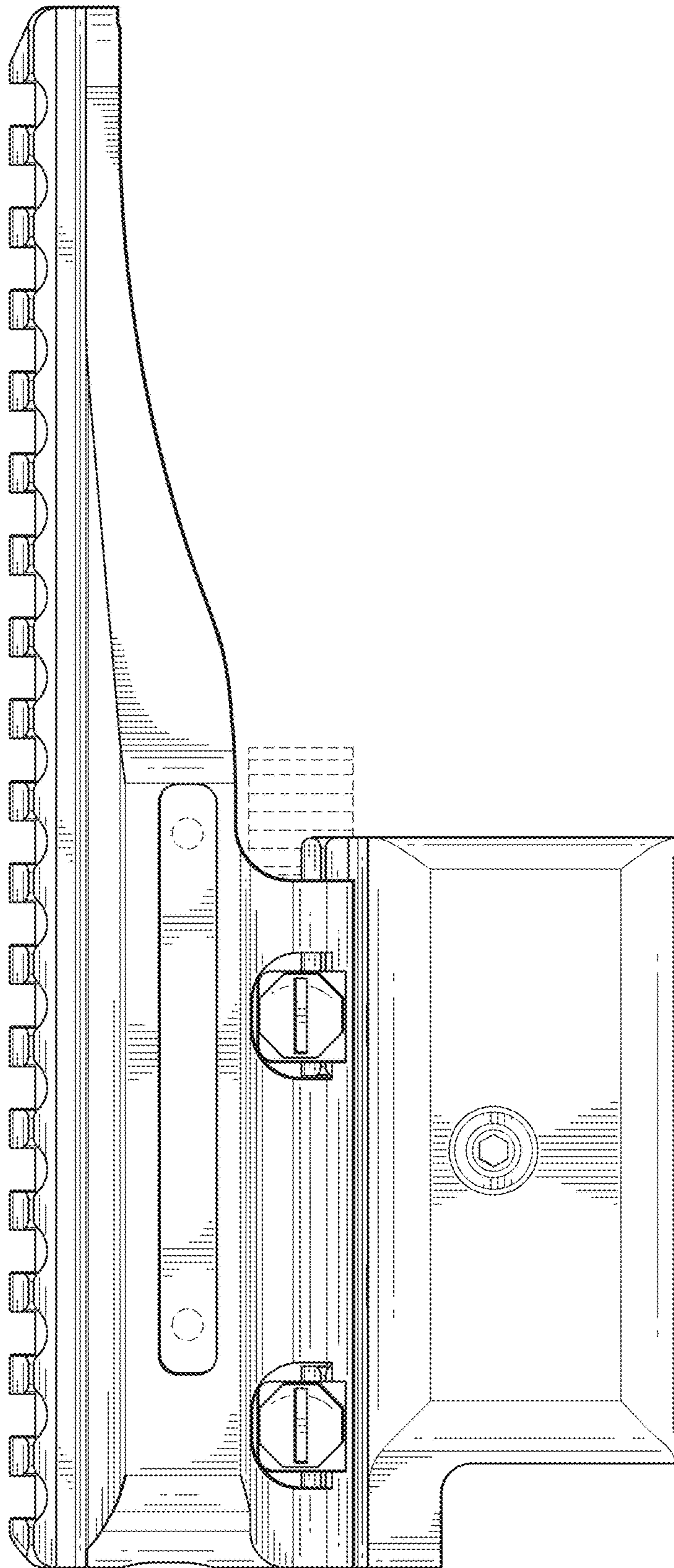


FIG. 5

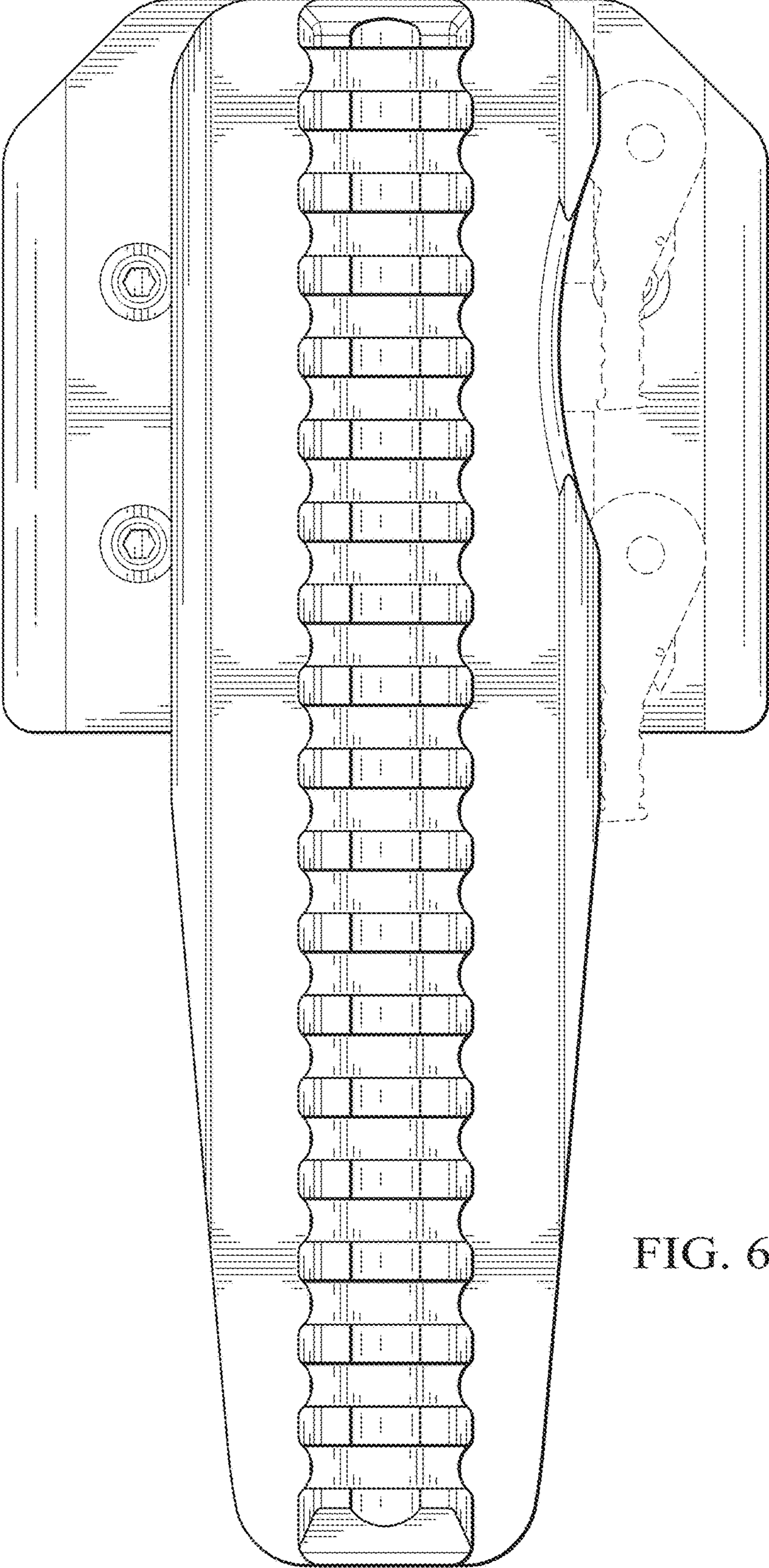


FIG. 6

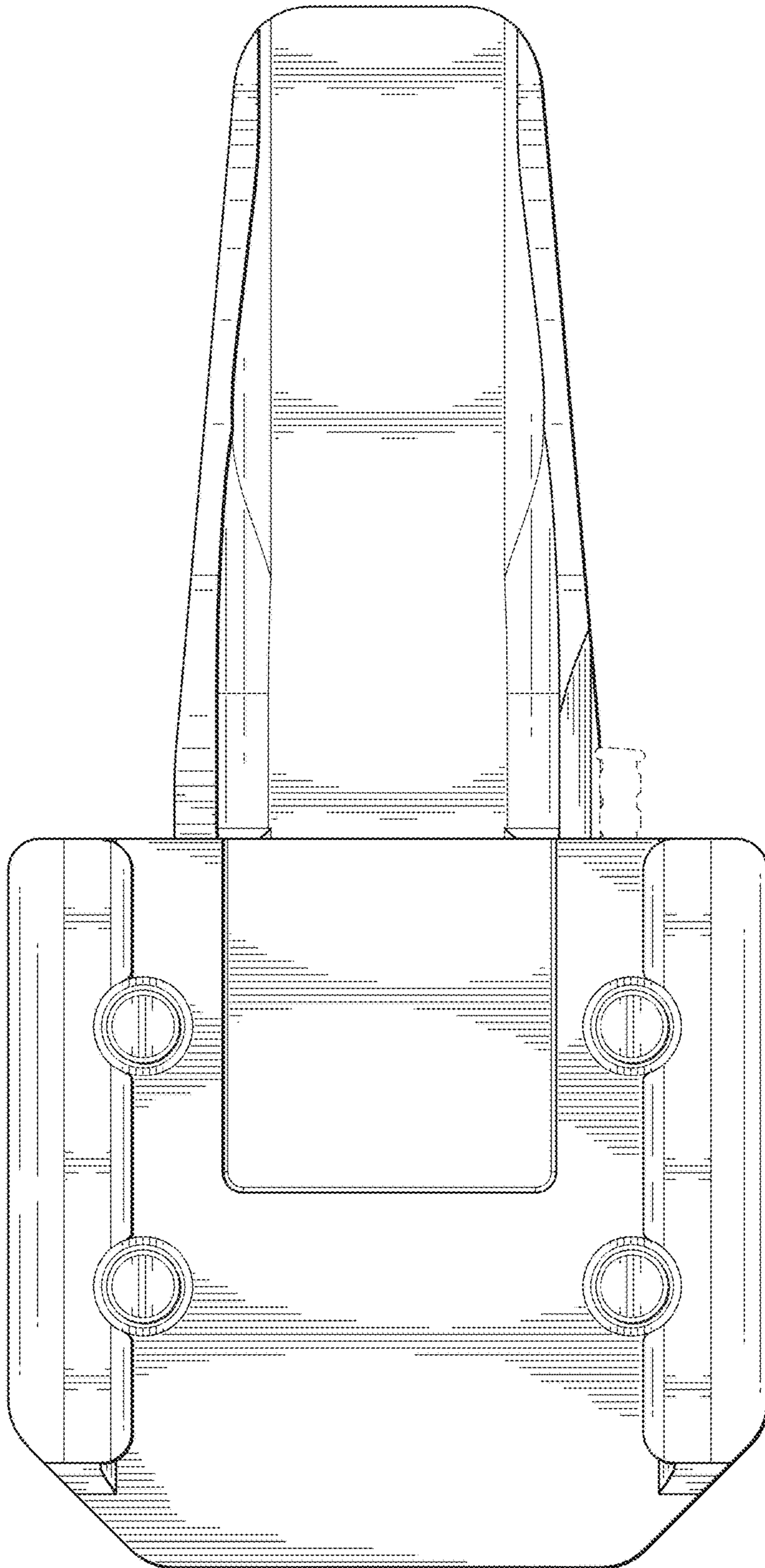


FIG. 7