



US00D828480S

(12) **United States Design Patent** (10) **Patent No.:** **US D828,480 S**
Hiler, Jr. et al. (45) **Date of Patent:** **** Sep. 11, 2018**

- (54) **FIREARM HANDGUARD**
- (71) Applicant: **Spec Tool Company**, Sparta, MI (US)
- (72) Inventors: **Lee B. Hiler, Jr.**, Comstock Park, MI (US); **Tadd Richard Woodard**, Howard City, MI (US); **David McClaran Riser, II**, Ada, MI (US)
- (73) Assignee: **Spec Arms LLC**, Sparta, MI (US)
- (**) Term: **15 Years**
- (21) Appl. No.: **29/607,791**
- (22) Filed: **Jun. 16, 2017**
- (51) **LOC (11) Cl.** **22-01**
- (52) **U.S. Cl.**
USPC **D22/108**
- (58) **Field of Classification Search**
USPC D22/103, 108; D21/572-575; 42/71.01, 42/75.01, 75.02, 90, 94, 134, 136, 139, 42/125, 72, 111; 89/40.06, 41.19, 37.04, 89/33.04, 191.01, 200-204; 124/66, 67, 124/72, 74; D14/418
CPC F41C 23/00; F41C 27/00; F41C 27/06; F41C 23/10; F41C 23/14; F41C 23/16; F41C 23/18
See application file for complete search history.

(56) **References Cited**

U.S. PATENT DOCUMENTS

D285,236 S	8/1986	Brunton	
5,519,954 A	5/1996	Garrett	
D603,011 S	10/2009	Fitzpatrick et al.	
D631,933 S	2/2011	Thompson	
D636,832 S	4/2011	Mayberry et al.	
D645,532 S *	9/2011	Peterson	D22/103
8,087,194 B1 *	1/2012	Vuksanovich	F41A 21/48 42/75.01
D689,974 S	9/2013	Sharps	

D709,582 S *	7/2014	Geissele	D22/108
D713,483 S	9/2014	Firpo, I et al.	
D717,904 S	11/2014	Oglesby	
D720,032 S	12/2014	Boutin	
D720,421 S *	12/2014	Chen	D22/108
8,910,406 B1	12/2014	Huang et al.	

(Continued)

OTHER PUBLICATIONS

AR-15 Alpha-Hunter, SpecArmsllc.com, [online], [site visited Mar. 27, 2018]. <URL: <https://www.specarmsllc.com/product-page/ar-15-alpha-hunter-specials>> (Year: 2018).*

(Continued)

Primary Examiner — T Chase Nelson
Assistant Examiner — Jonathan J. Han

(74) *Attorney, Agent, or Firm* — Warner Norcorss + Judd LLP

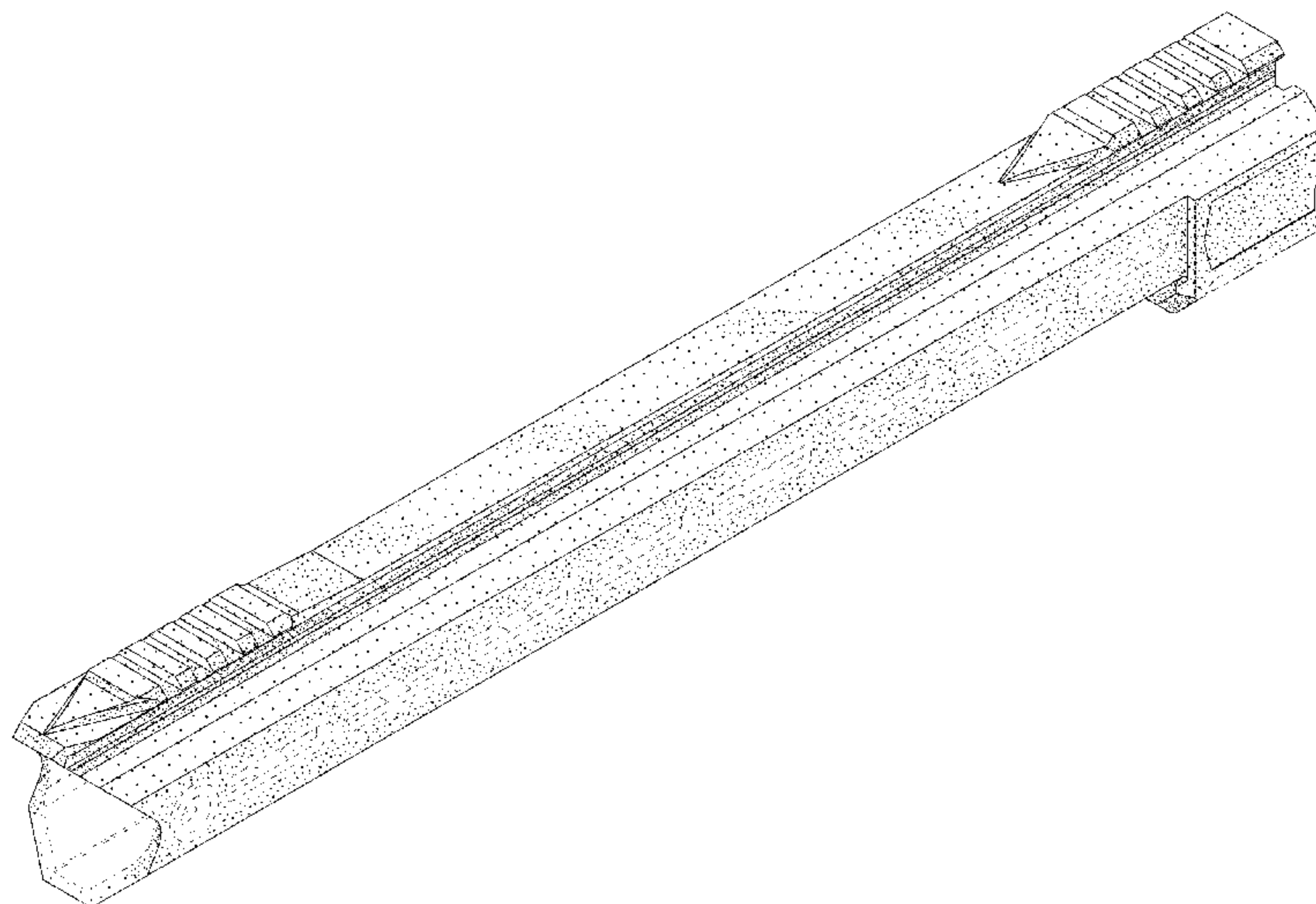
(57) **CLAIM**

The ornamental design for firearm handguard, as shown and described.

DESCRIPTION

FIG. 1 is a perspective view of the firearm handguard embodying the new design;
FIG. 2 is a left side view thereof;
FIG. 3 is a right side view thereof;
FIG. 4 is a top view thereof;
FIG. 5 is a bottom view thereof;
FIG. 6 is a front view thereof; and,
FIG. 7 is a rear view thereof.
FIGS. 1-7 show features of a firearm handguard in broken lines. These features are shown for environmental purposes and do not form any part of the claimed design. The broken lines immediately adjacent the solid line portions of the design form the boundary of the design, with the broken lines forming no part of the claimed design.

1 Claim, 4 Drawing Sheets



(56)

References Cited

U.S. PATENT DOCUMENTS

8,984,794 B1 3/2015 Saur
 D726,862 S 4/2015 Crume, Sr.
 D726,863 S 4/2015 Crume, Sr.
 D727,454 S 4/2015 Robinson et al.
 D733,827 S * 7/2015 Serbu D22/103
 9,151,555 B1 10/2015 Huang
 9,194,638 B2 11/2015 Larson, Jr. et al.
 D745,621 S 12/2015 Huang
 9,217,618 B1 12/2015 Miller, III
 D746,936 S 1/2016 Huang
 D747,428 S * 1/2016 Chen D22/108
 D748,754 S * 2/2016 Chastain D22/108
 D752,170 S 3/2016 Koutny
 D752,171 S * 3/2016 Chen D22/108
 9,303,949 B1 4/2016 Oglesby
 D755,338 S 5/2016 Slank
 D760,860 S 7/2016 Vincent et al.
 9,389,031 B2 7/2016 Gardner
 D763,397 S 8/2016 Huang
 D765,211 S 8/2016 Huang
 D770,001 S * 10/2016 Nicklos D22/103
 D773,585 S 12/2016 Miller, III
 9,523,557 B2 12/2016 Sharron et al.
 9,523,558 B2 12/2016 Visinski et al.
 9,528,793 B1 12/2016 Oglesby
 9,534,859 B2 * 1/2017 Battaglia F41A 3/14
 9,574,852 B1 * 2/2017 McKillips F41G 11/003
 D782,596 S 3/2017 Angstadt et al.
 D782,597 S 3/2017 Angstadt et al.
 9,599,439 B1 * 3/2017 Sylvester F41G 11/003
 D787,003 S * 5/2017 Spector D22/108
 D787,004 S * 5/2017 Spector D22/108
 D787,005 S 5/2017 Capps et al.
 9,658,020 B2 * 5/2017 Daniel F41A 21/485
 D790,029 S * 6/2017 Geissele D22/108
 9,702,652 B1 * 7/2017 Jackson F41A 21/482
 D795,379 S 8/2017 Frederickson et al.
 D795,983 S 8/2017 Cross
 D795,984 S * 8/2017 Frederickson D22/108
 D795,986 S * 8/2017 Frederickson D22/108
 9,733,030 B2 * 8/2017 Daniel F41A 3/72
 9,791,239 B1 * 10/2017 Kincel F41C 23/16
 9,829,272 B2 11/2017 Brown
 D805,154 S 12/2017 Steele et al.
 9,851,083 B2 * 12/2017 Pinilla F21V 23/0414
 2005/0183317 A1 8/2005 Finn
 2010/0186582 A1 * 7/2010 Juarez F41A 5/28
 89/191.01
 2010/0281736 A1 11/2010 Mayberry et al.
 2010/0319231 A1 * 12/2010 Stone F41C 23/16
 42/71.01
 2011/0173867 A1 * 7/2011 Young F41A 23/06
 42/94
 2012/0174451 A1 7/2012 Overstreet et al.
 2012/0216439 A1 * 8/2012 Barrett F41A 3/26
 42/75.02
 2012/0260793 A1 * 10/2012 Gomez F41A 3/66
 89/191.01
 2013/0219763 A1 8/2013 Nunes
 2013/0227871 A1 * 9/2013 Stone F41A 21/30
 42/76.1
 2014/0075804 A1 * 3/2014 Langevin F41C 23/16
 42/16
 2014/0115938 A1 * 5/2014 Jarboe F41A 21/485
 42/71.01

2014/0115939 A1 * 5/2014 Troy F41C 23/16
 42/72
 2014/0130390 A1 * 5/2014 Geissele F41C 23/16
 42/71.01
 2014/0165439 A1 6/2014 Fernandez et al.
 2014/0224235 A1 8/2014 Liao
 2014/0331535 A1 11/2014 Robinson et al.
 2014/0352191 A1 12/2014 Fritz et al.
 2015/0007476 A1 * 1/2015 Dextraze F41G 11/003
 42/71.01
 2015/0153125 A1 6/2015 Lutton et al.
 2015/0345879 A1 12/2015 Jen
 2015/0354912 A1 12/2015 Miller, III
 2015/0362270 A1 12/2015 Stewart et al.
 2016/0084601 A1 3/2016 Alicea, Jr.
 2016/0273857 A1 9/2016 Pettit et al.
 2017/0160032 A1 6/2017 Overstreet et al.
 2017/0307321 A1 * 10/2017 DeSomma F41A 21/10

OTHER PUBLICATIONS

AR-15 Alpha-Defender, SpecArmsllc.com, [online], [site visited Mar. 27, 2018]. <URL: <https://www.specarmsllc.com/product-page/ar-15-alpha-defender-specials>> (Year: 2018).*

Midwest Industries AR-15 G3 M-Series Free Float Extended Handguard 17.5" Length M-Lok, AeroSpaceArms.com, [online], [site visited Mar. 27, 2018]. <URL: <https://aerospacearms.com/midwest-industries-ar-15-g3-m-series-free-float-extended-handguard-17-5-length-m-lok-aluminum-black/>> (Year: 2018).*

UTG Pro AR-15 15" Flat Dark Earth Super Slim Free Float Handguard, LAPoliceGear.com, [online], [site visited Mar. 27, 2018]. <URL: <https://www.lapolicygear.com/utg-mtu019ssd.html>> (Year: 2018).*

12.5 X Products Viper Free Float Rail downloaded from <https://www.xproducts.com> on Oct. 30, 2017.

AT3 Tactical article The 7 Things to Look for in an AR-15 Handguard downloaded from <https://www.at3tactical.com/blogs/news/9243847-the-7-things-to-look-for-in-an-ar-15-handguard> on Jun. 13, 2017.

AR-15 Alpha-Hunter, SpecArmsllc.com, [online], [site visited Mar. 16, 2018]. <URL: <https://www.specarmsllc.com/product-page/ar-15-alpha-hunter-specials>> (Year: 2018).

AR-15 Alpha-Defender, SpecArmsllc.com, [online], [site visited Mar. 16, 2018]. <URL: <https://www.specarmsllc.com/product-page/ar-15-alpha-defender-specials>> (Year: 2018).

Battle Arms Development AR-15 BAD556-LW Receiver Set, RainierArms.com, [online], [site visited Mar. 16, 2018]. <URL: <https://www.rainierarms.com/battle-arms-development-bad556-lw-receiver-set/>> (Year: 2018).

AR-15 Alpha-Hunter, SpecArmsllc.com, [online], [site visited Mar. 16, 2018]. <URL: <https://www.specarmsllc.com/product-page/ar-15-alpha-hunter-specials>> (Year: 2018).

AR-15 Alpha-Defender, SpecArmsllc.com, [online], [site visited Mar. 16, 2018]. <URL: <https://www.specarmsllc.com/product-page/ar-15-alpha-defender-specials>> (Year: 2018).

Rainier Arms Forged Mil-Spec Upper Receiver, RainierArms.com, [online], [site visited Mar. 16, 2018]. <URL: <https://www.rainierarms.com/rainier-arms-forged-mil-spec-upper-receiver/>> (Year: 2018).

AR15 Stripped Upper Receiver, No M4 Feedramps, AeroPrecisionUSA.com, [online], [site visited Mar. 16, 2018]. <URL: <https://aeroprecisionusa.com/ar15-stripped-upper-receiver-no-m4-feedramps.html>> (Year: 2018).

* cited by examiner

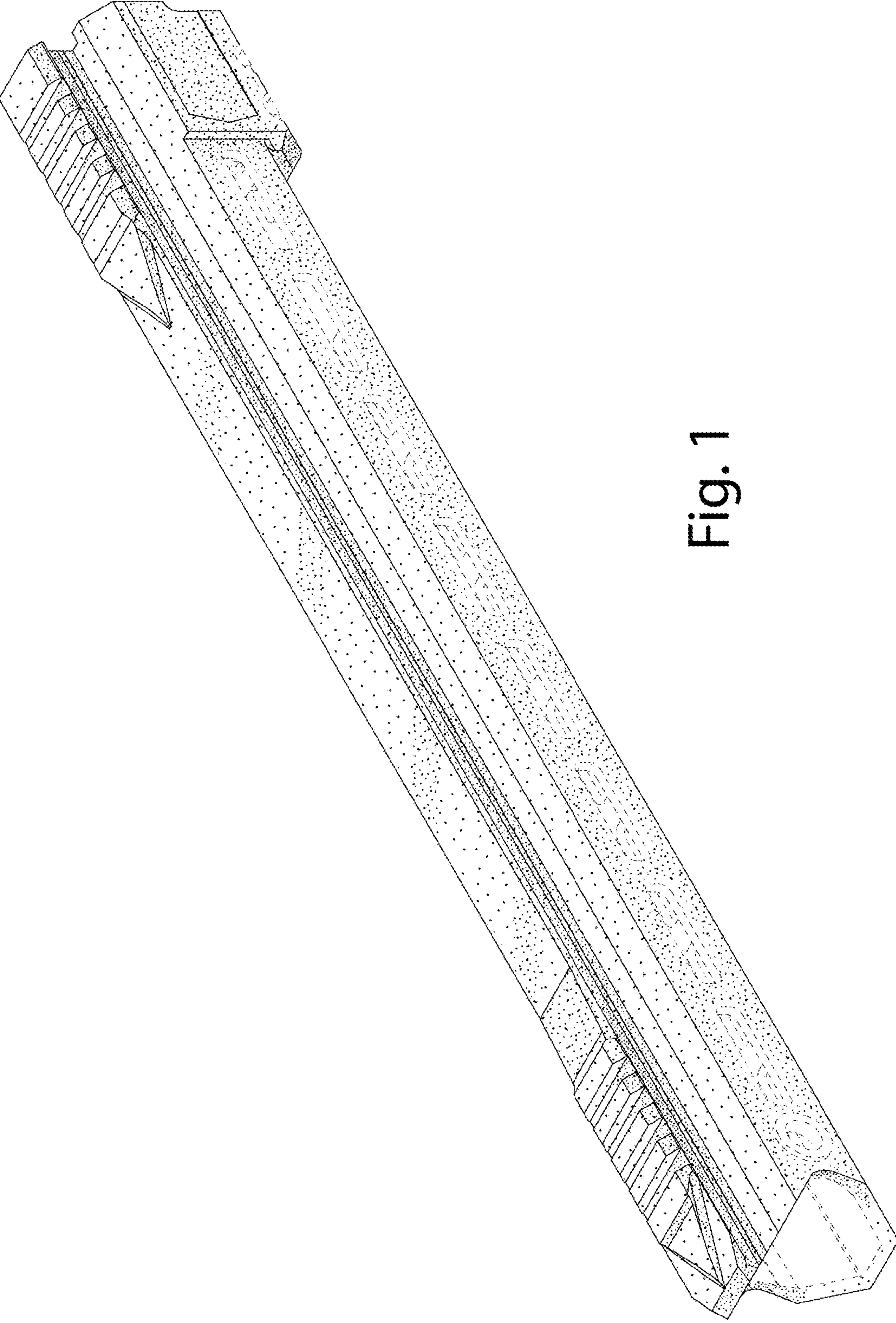


Fig. 1

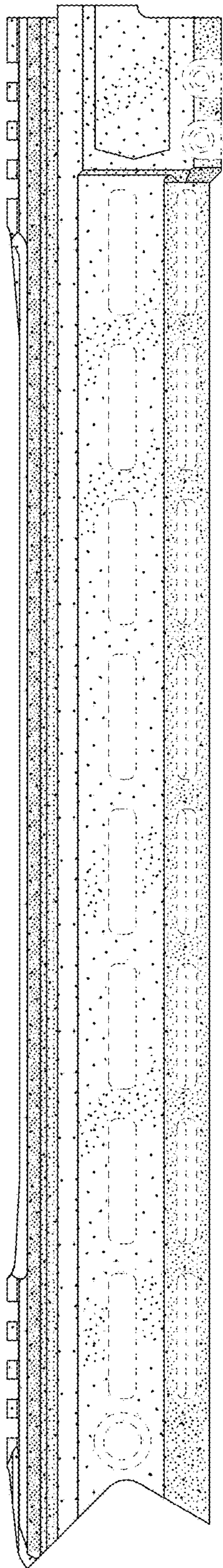


Fig. 2

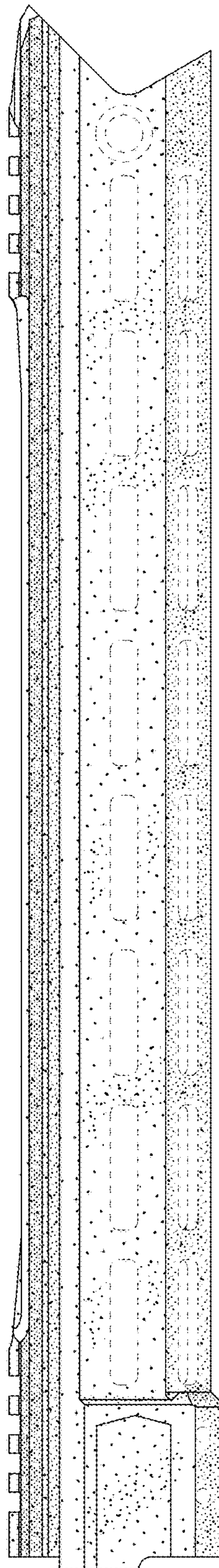


Fig. 3

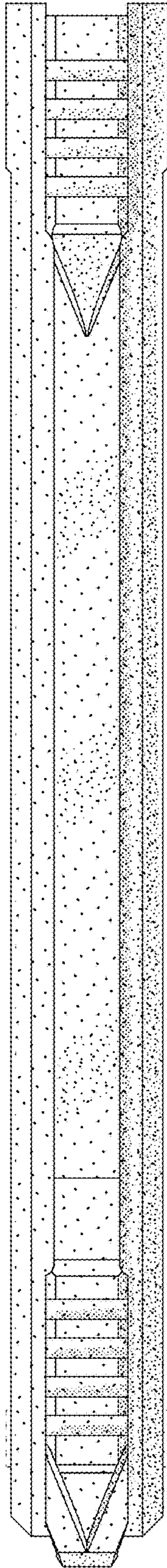


Fig. 4

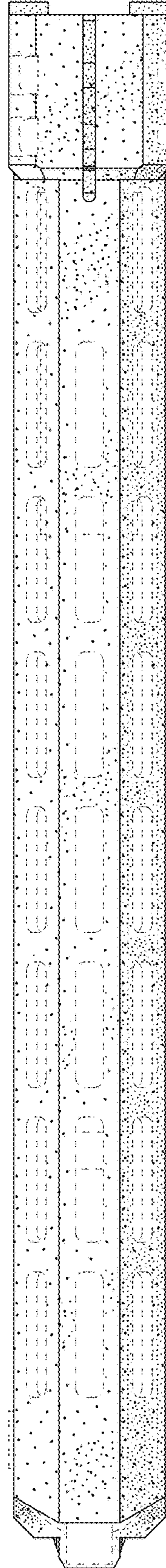


Fig. 5

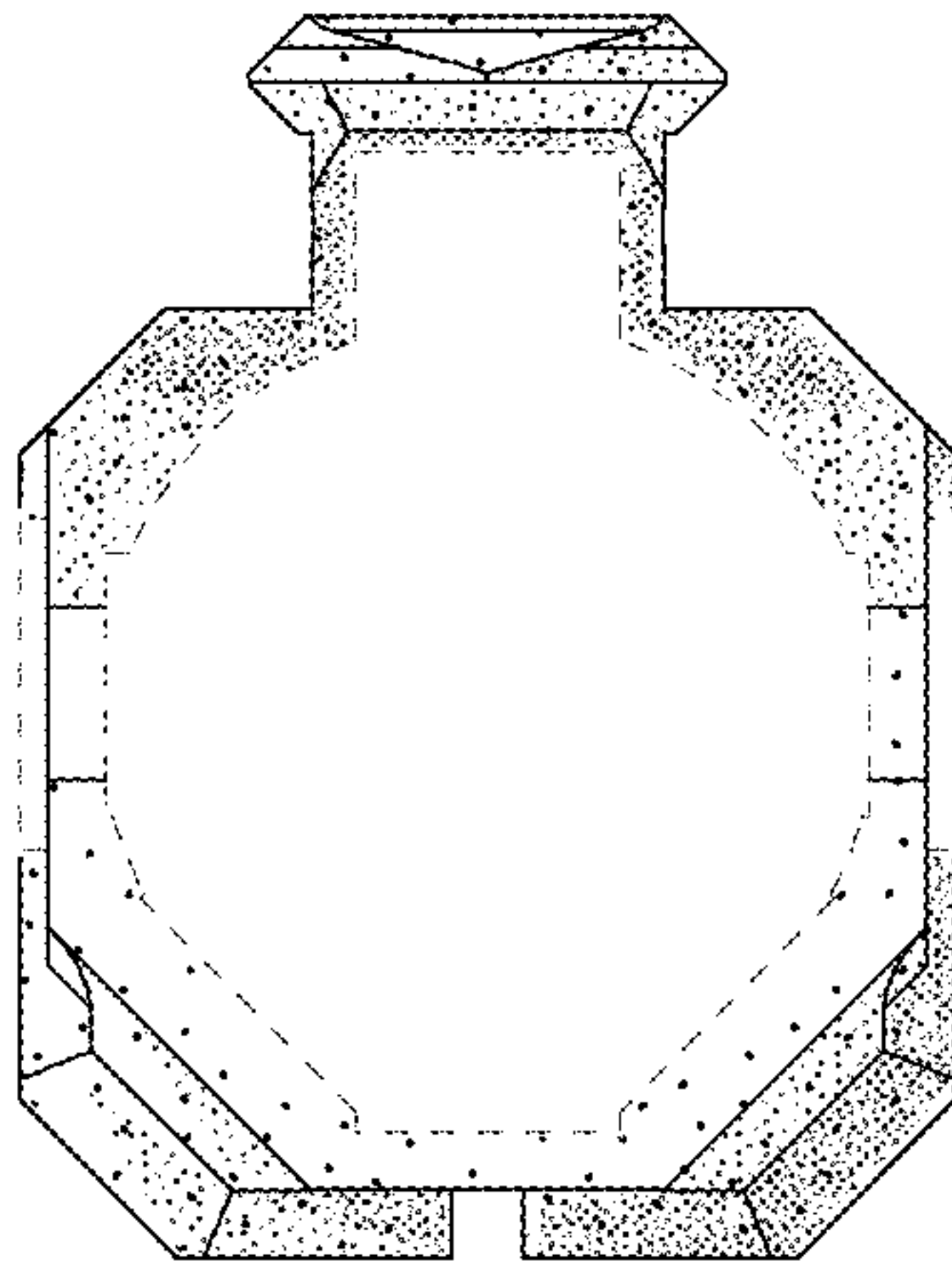


Fig. 6

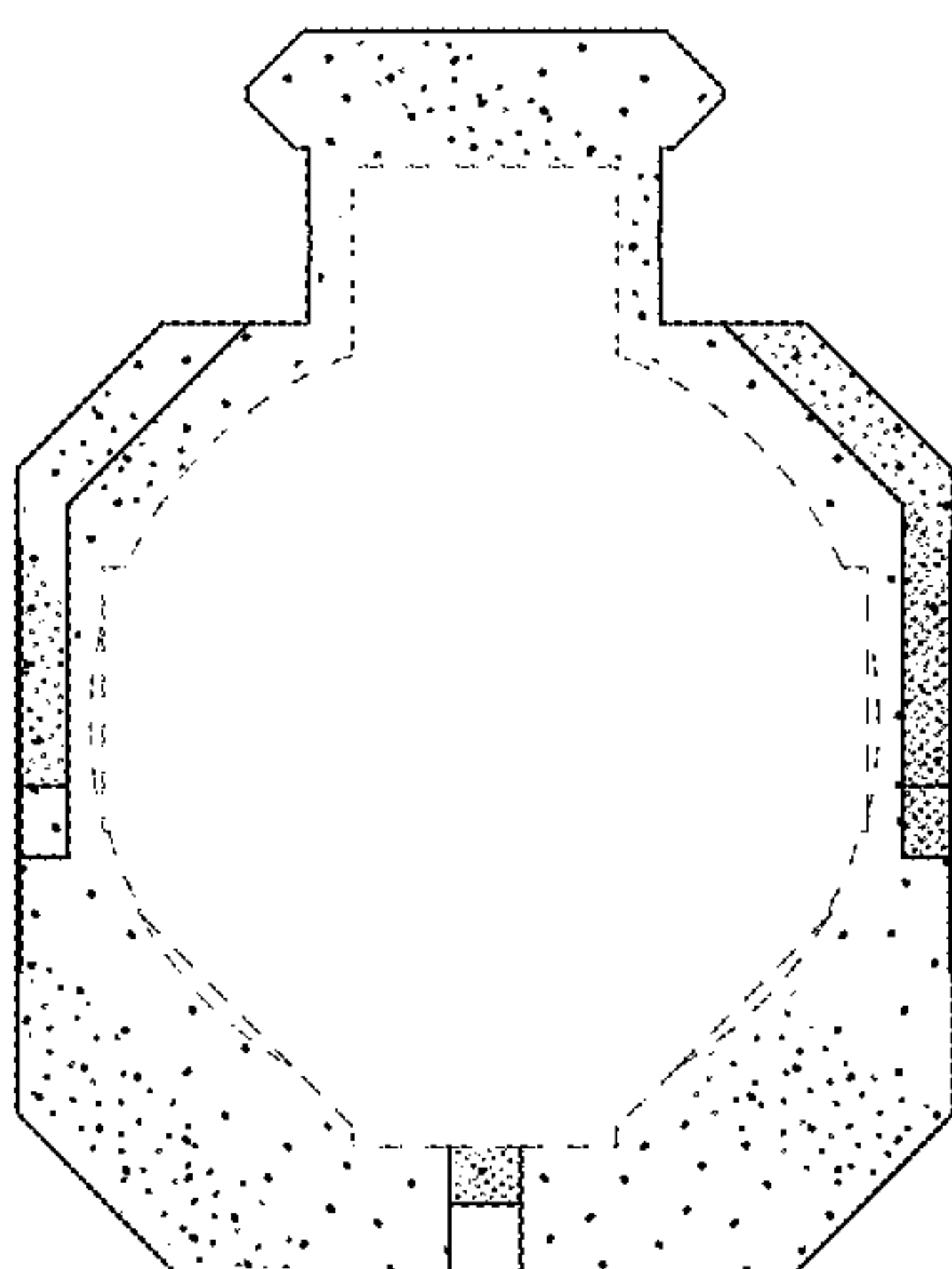


Fig. 7