



US00D828479S

(12) **United States Design Patent**
Willets

(10) **Patent No.:** **US D828,479 S**

(45) **Date of Patent:** **** Sep. 11, 2018**

(54) **PISTOL GRIP ADJUSTABLE INSERT**

(71) Applicant: **F1 RESEARCH, LLC-PATENTS SERIES**, Spring, TX (US)

(72) Inventor: **Craig Larue Willets**, Spring, TX (US)

(73) Assignee: **F-1 Firearms, LLC-Patent Series**, Spring, TX (US)

(**) Term: **15 Years**

(21) Appl. No.: **29/593,012**

(22) Filed: **Feb. 5, 2017**

(51) **LOC (11) Cl.** **22-01**

(52) **U.S. Cl.**
USPC **D22/108**

(58) **Field of Classification Search**

USPC D22/100, 103, 108-109; D21/572-575;
D8/68; 89/111-113; 359/399, 823, 744;
362/109-114; 42/90, 94, 104, 105,
42/111-114, 116, 117, 120, 124-126,
42/127-129, 131, 141-148, 133-148;
33/227, 229

CPC . F41G 1/35; F41G 11/003; F41G 1/00; F41G
1/36; F41G 1/34; F41G 3/26; F41C
(Continued)

(56) **References Cited**

U.S. PATENT DOCUMENTS

372,655 A * 11/1887 Cashin E05C 17/54
292/343
2,832,166 A * 4/1958 Ivy F41C 23/16
42/71.02

(Continued)

OTHER PUBLICATIONS

ERGO Grip AR-15 ERGO Gapper Trigger guard Gap Filler,
CheaperThanDirt.com, [online], [site visited Jun. 7, 2018]. <URL:
<https://www.cheaperthandirt.com/product/six-ar-15-ergo-gapper->

trigger-guard-gap-filler-santoprene-black-package-of-six-4085-bk-874748000550.do?sortby=ourPicks&refType=&from=fn> (Year: 2018).*

(Continued)

Primary Examiner — T Chase Nelson

Assistant Examiner — Jonathan J. Han

(74) *Attorney, Agent, or Firm* — Dossey & Jones, PLLC; Phillip Black; James P. Dossey

(57) **CLAIM**

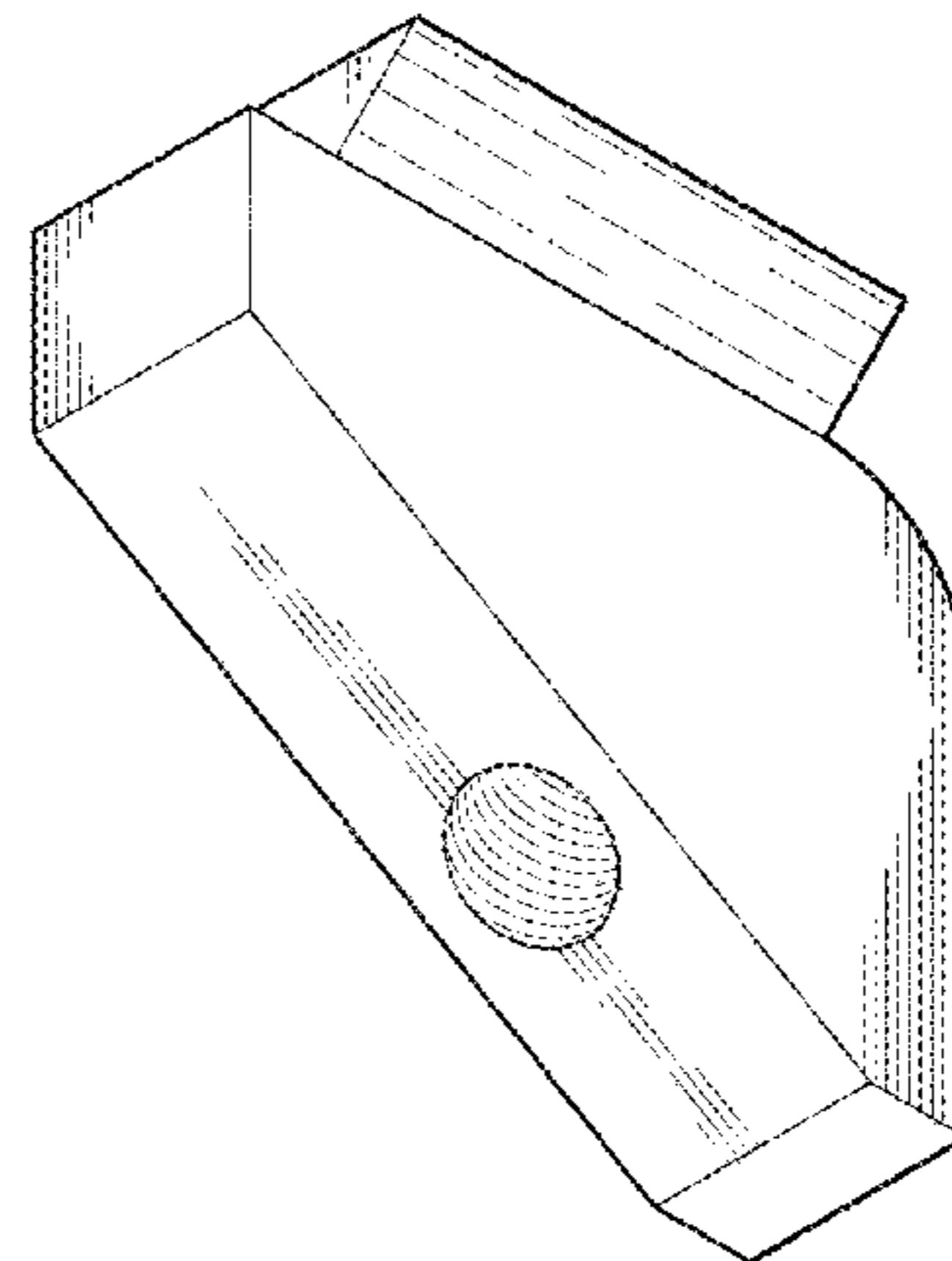
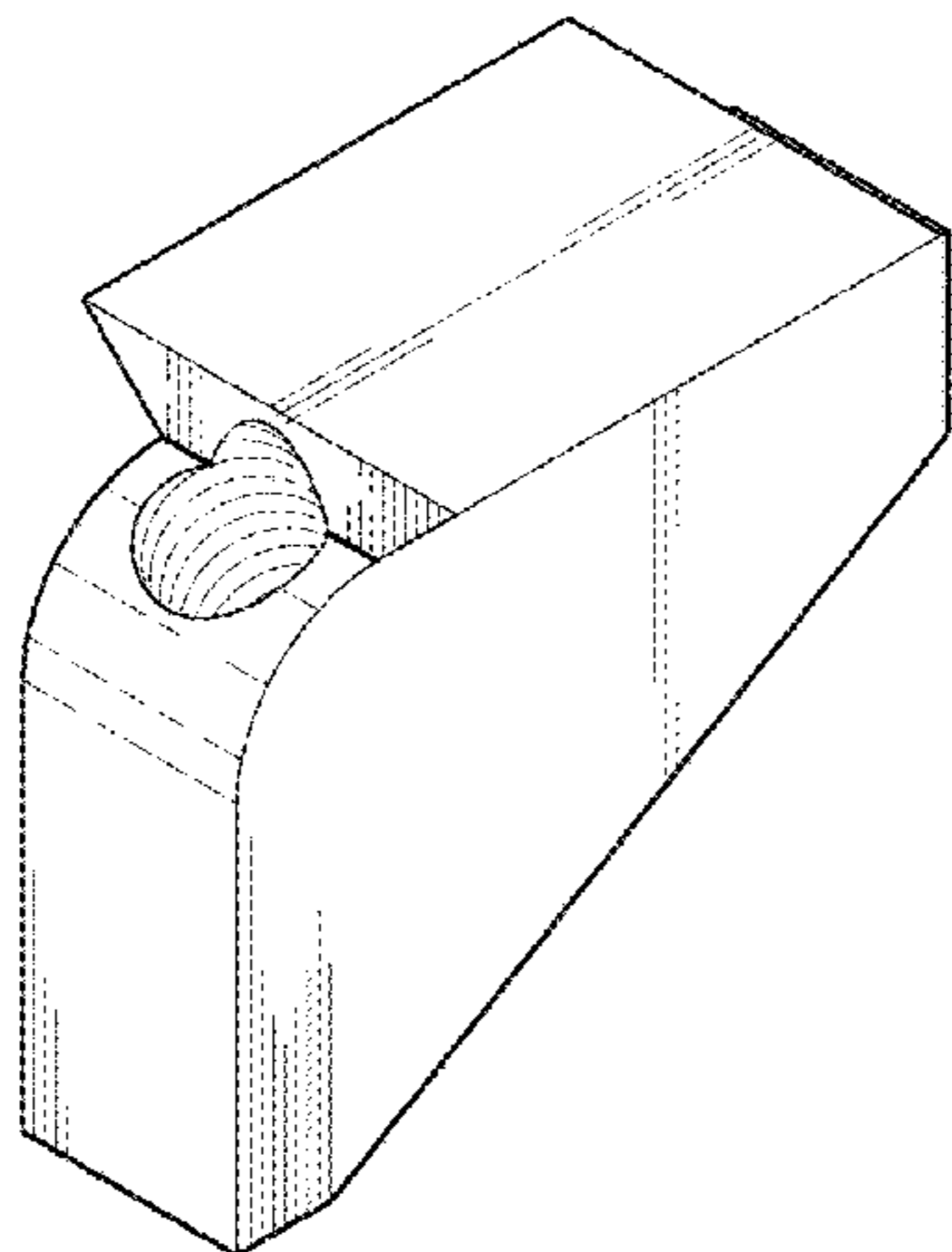
The ornamental design for a pistol grip adjustable insert, as shown and described.

DESCRIPTION

FIG. 1 is a front perspective view from above showing the left side of the pistol grip adjustable insert disclosed herein; FIG. 2 is a front-side view of the pistol grip adjustable insert disclosed herein; FIG. 3 is a left-side view of the pistol grip adjustable insert disclosed herein, a right-side view (not shown) is a mirror image of this left-side view; FIG. 4 is a top-side view of the pistol grip adjustable insert disclosed herein; FIG. 5 is a rear-side view of the pistol grip adjustable insert disclosed herein; FIG. 6 is a back-aide perspective view from below of the pistol grip adjustable insert disclosed herein; FIG. 7 is a bottom-side view of the pistol grip adjustable insert disclosed herein; and, FIG. 8 is a right-side view of the pistol grip adjustable insert disposed in the lower receiver of a rifle. More particularly, the pistol grip adjustable insert is shown attaching the pistol grip to the lower receiver of the rifle.

The broken lines are used to illustrate unclaimed rifle environment in FIG. 8 and form no part of the claimed design. Shading lines are used to show contours of claimed surfaces only and do not represent actual markings on the surface.

1 Claim, 3 Drawing Sheets



(58) **Field of Classification Search**
 CPC 23/10; F41C 23/18; F41C 23/14; F41C
 23/16
 See application file for complete search history.

(56) **References Cited**

U.S. PATENT DOCUMENTS

3,054,477 A * 9/1962 Bustin B60T 3/00
 188/32
 D289,354 S * 4/1987 Willey D6/601
 D319,365 S * 8/1991 Edelson D6/596
 5,193,702 A * 3/1993 Shannon B65D 21/0204
 206/551
 D336,134 S * 6/1993 Kalatsky D24/190
 D387,167 S * 12/1997 Klein D24/183
 D406,718 S * 3/1999 Jacobs D21/686
 6,008,433 A * 12/1999 Stone A61B 17/68
 623/20.14
 6,032,669 A * 3/2000 Klein A47C 20/021
 128/845
 6,230,350 B1 * 5/2001 Goldstein A47C 20/026
 5/636
 D557,366 S * 12/2007 Witt D21/791
 D582,706 S * 12/2008 Cruz D6/716
 D610,852 S * 3/2010 Rothschild D6/601
 D642,412 S * 8/2011 Cuba D6/601
 D651,840 S * 1/2012 Davis, III A47C 20/048
 D6/601
 D653,557 S * 2/2012 Anton Villa D9/416

D655,559 S * 3/2012 Cheng D6/601
 D662,026 S * 6/2012 Beranek D12/217
 D691,272 S * 10/2013 Dacosta D24/155
 D697,163 S * 1/2014 Bietsch D22/108
 D736,391 S * 8/2015 Johnson D24/184
 D777,976 S * 1/2017 Mahlmeister D27/165
 D778,373 S * 2/2017 Gossett D21/685
 9,581,303 B2 * 2/2017 Gordin F21S 8/086
 D783,394 S * 4/2017 Peterson D8/402
 D793,783 S * 8/2017 Newhouse D6/696.1
 9,717,336 B1 * 8/2017 Apple A47B 91/12
 D805,325 S * 12/2017 Chan D6/601
 D808,686 S * 1/2018 May D6/601
 D813,394 S * 3/2018 DaCosta D24/155
 2001/0044968 A1 * 11/2001 Schmitter A47C 20/00
 5/652
 2006/0080780 A1 * 4/2006 Schlieps A47C 9/027
 5/657

OTHER PUBLICATIONS

Magpul MIAD AR-10/SR-25 Grip Wedge, Black, OperationParts.com, [online], [site visited Jun. 7, 2018]. <URL: <http://www.operationparts.com/magpul-miad-ar-10-sr-25-grip-wedge-black/>> (Year: 2018).*

Accuwedge for AR15/M16, WindhamWeaponry.com, [online], [site visited Jun. 7, 2018]. <URL: <https://shop.windhamweaponry.com/collections/accessories/products/accuwedge>> (Year: 2018).*

* cited by examiner

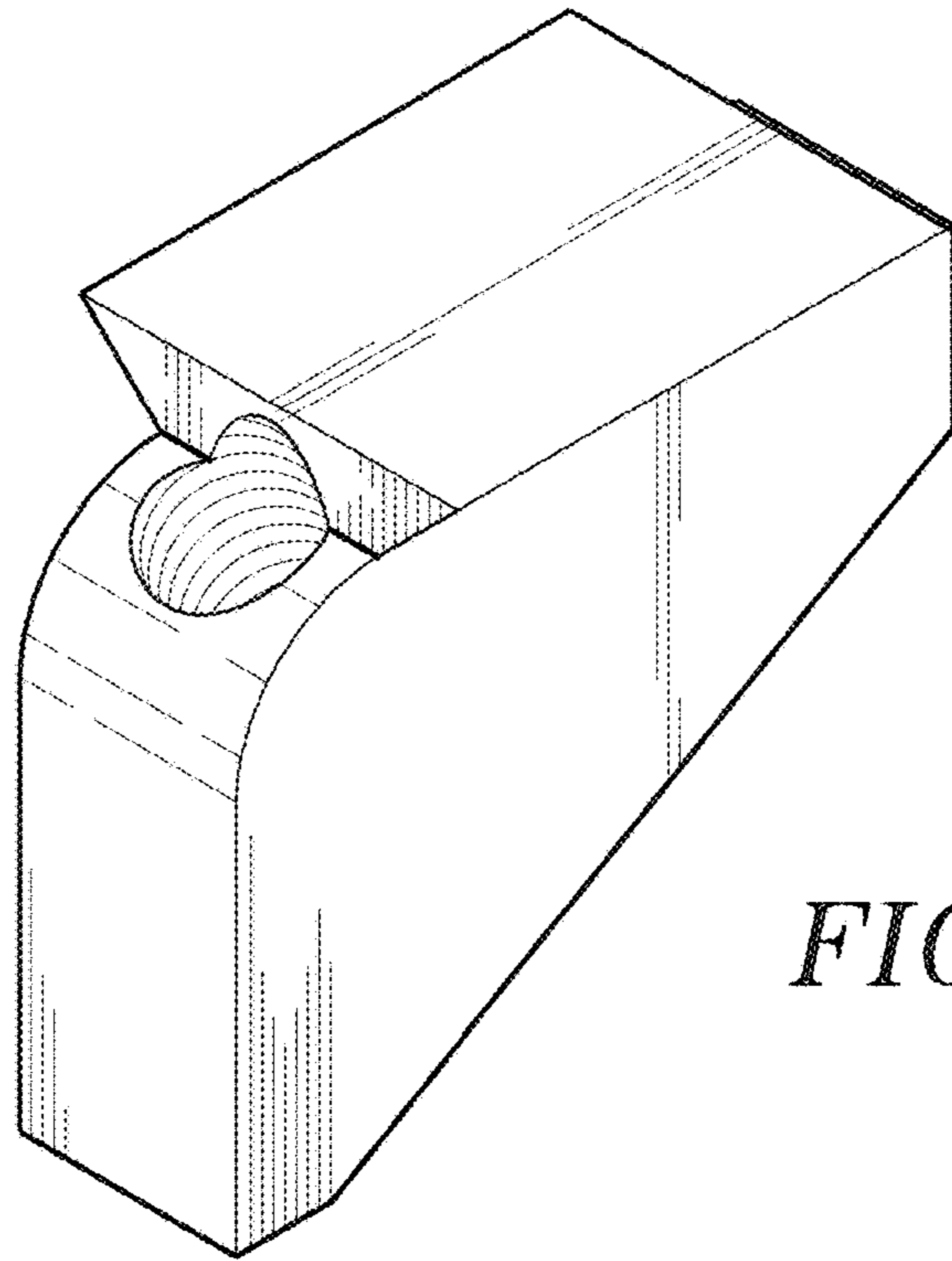


FIG. 1

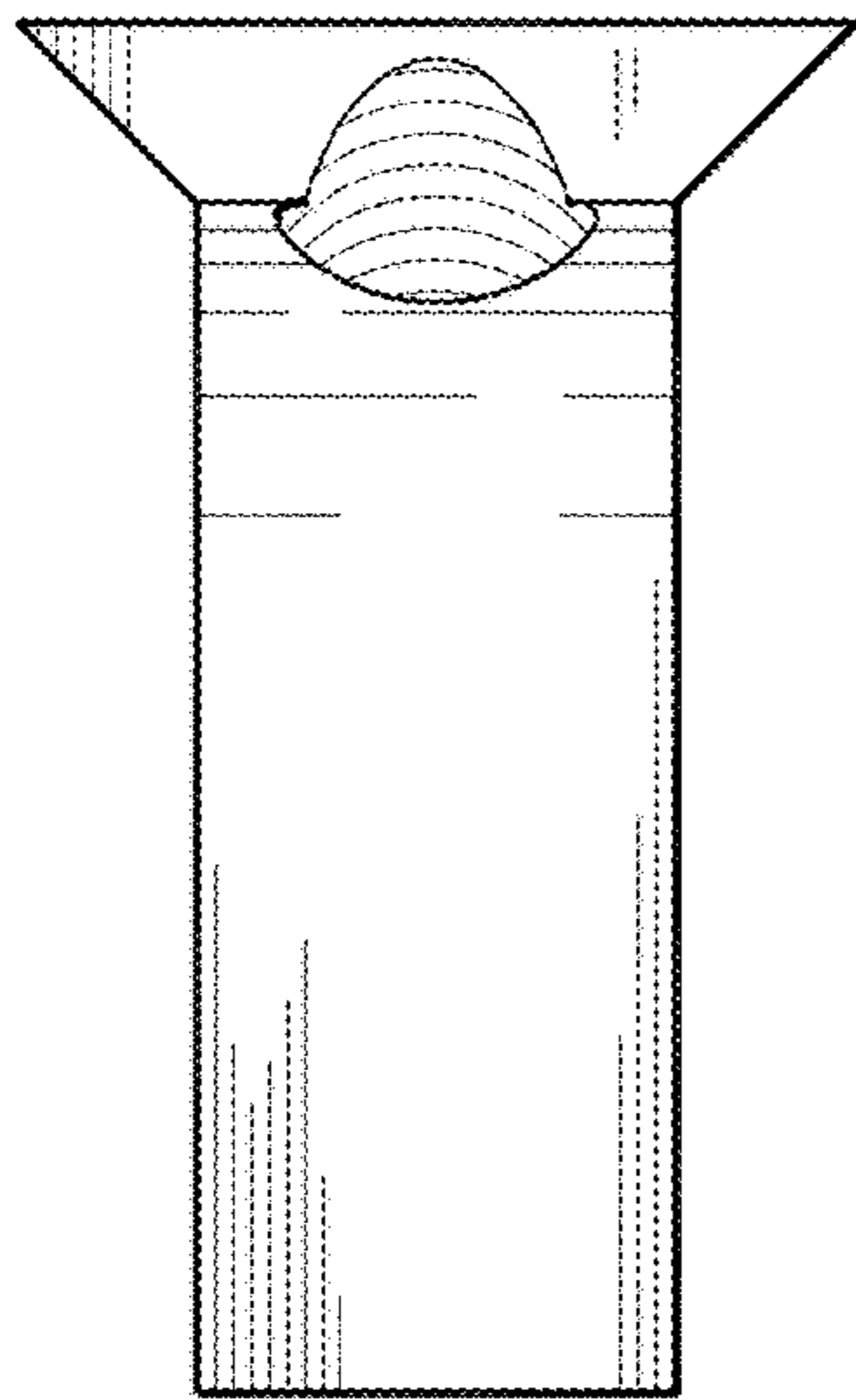


FIG. 2

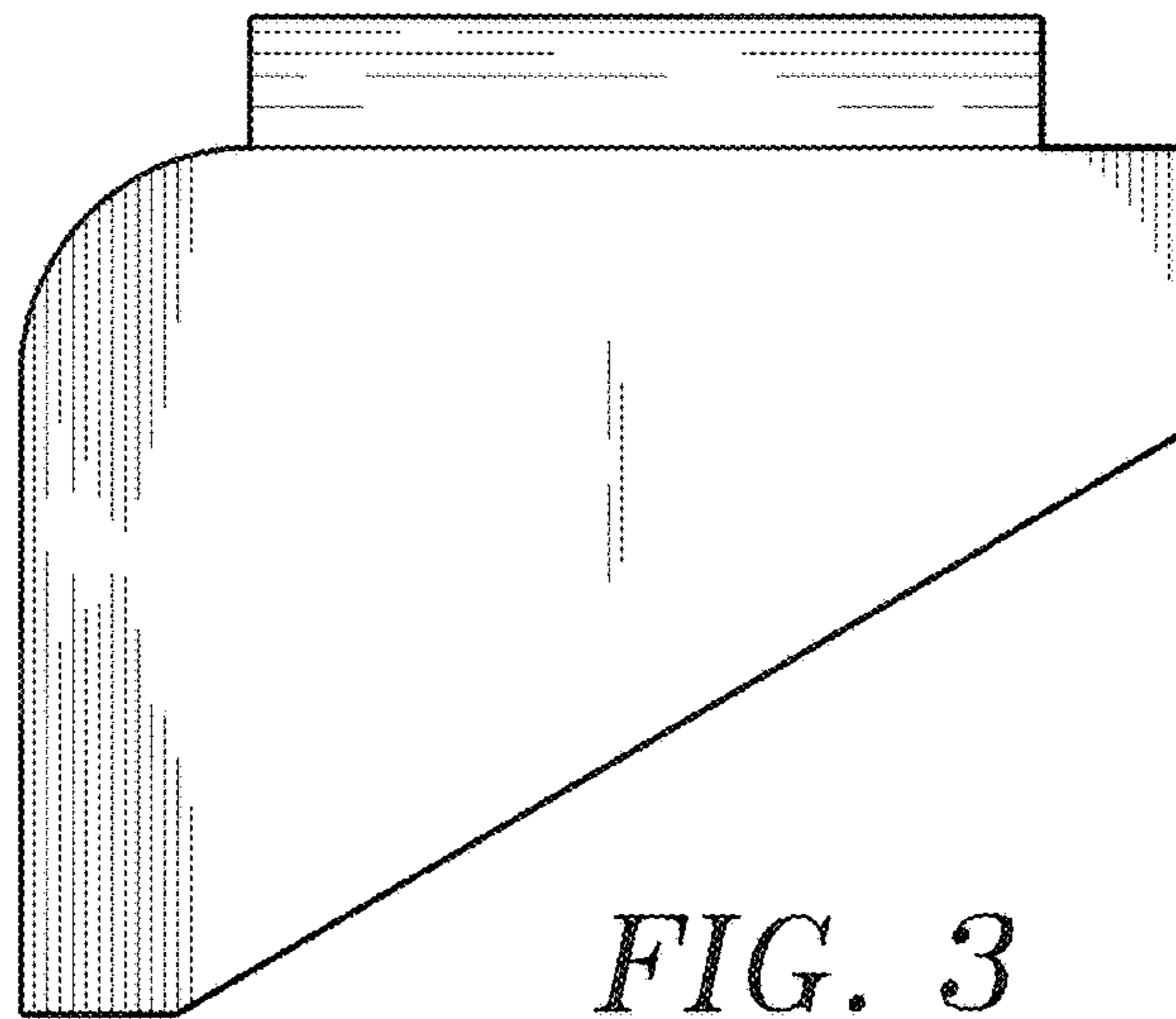


FIG. 3

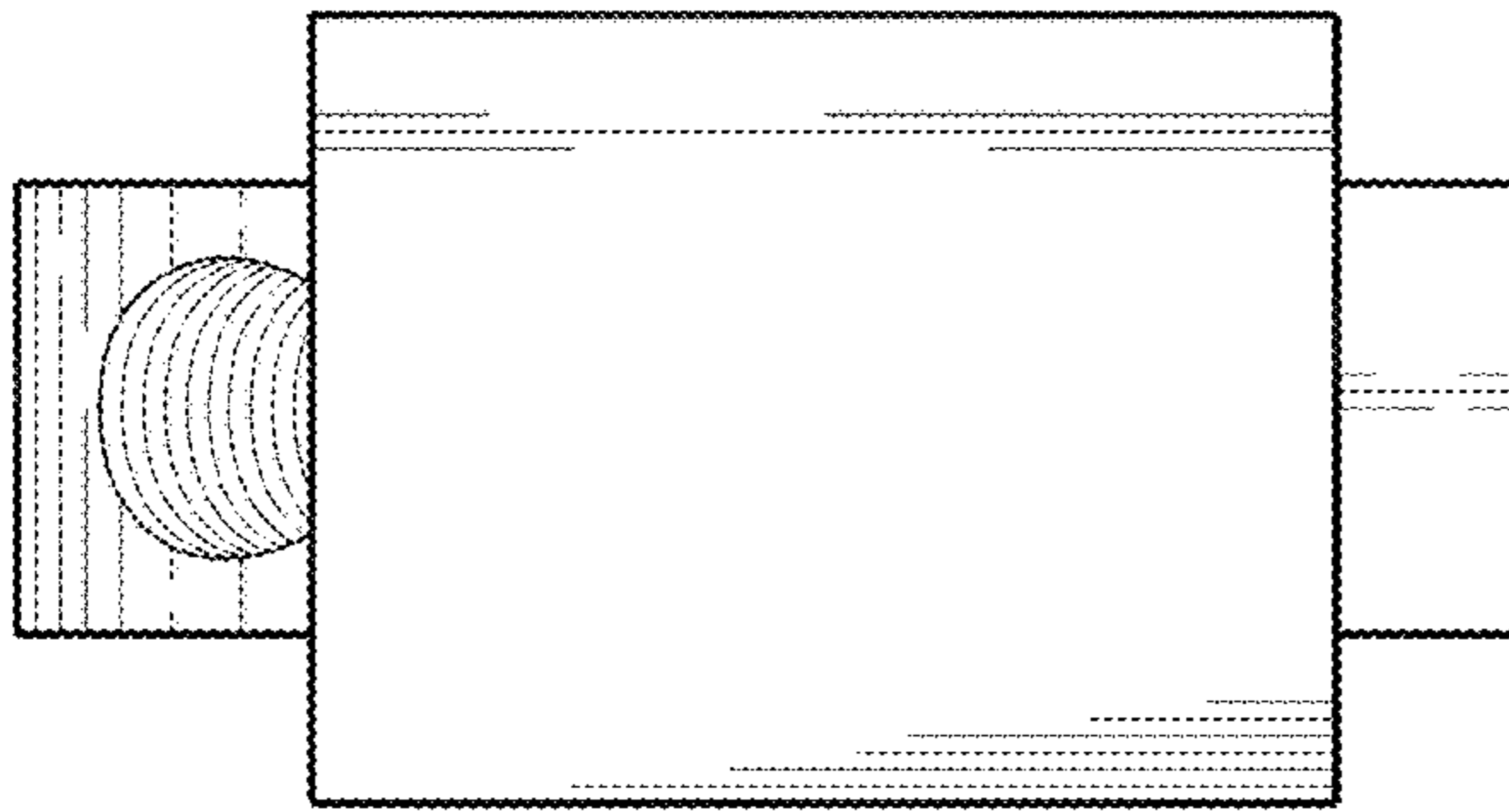


FIG. 4

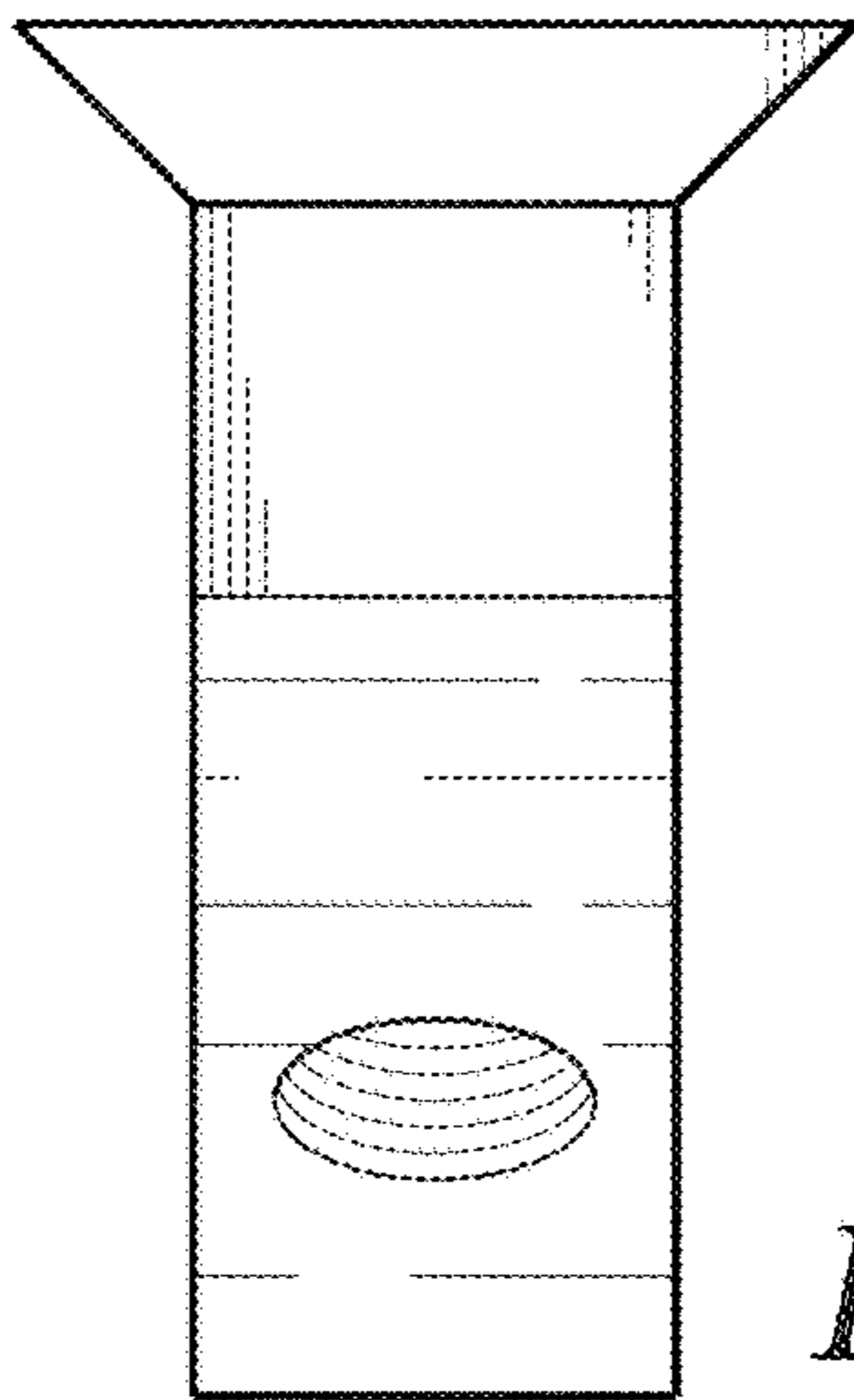


FIG. 5

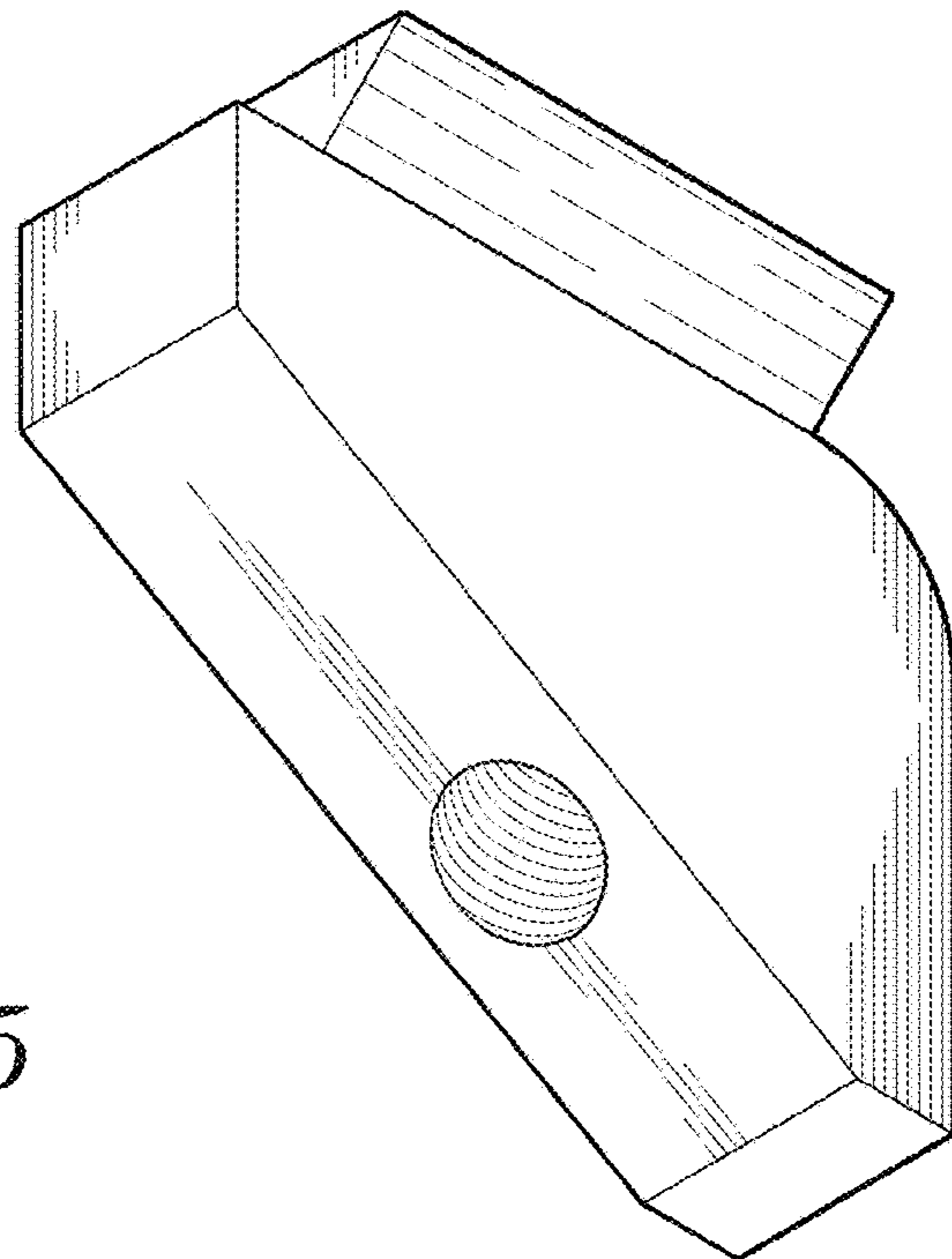


FIG. 6

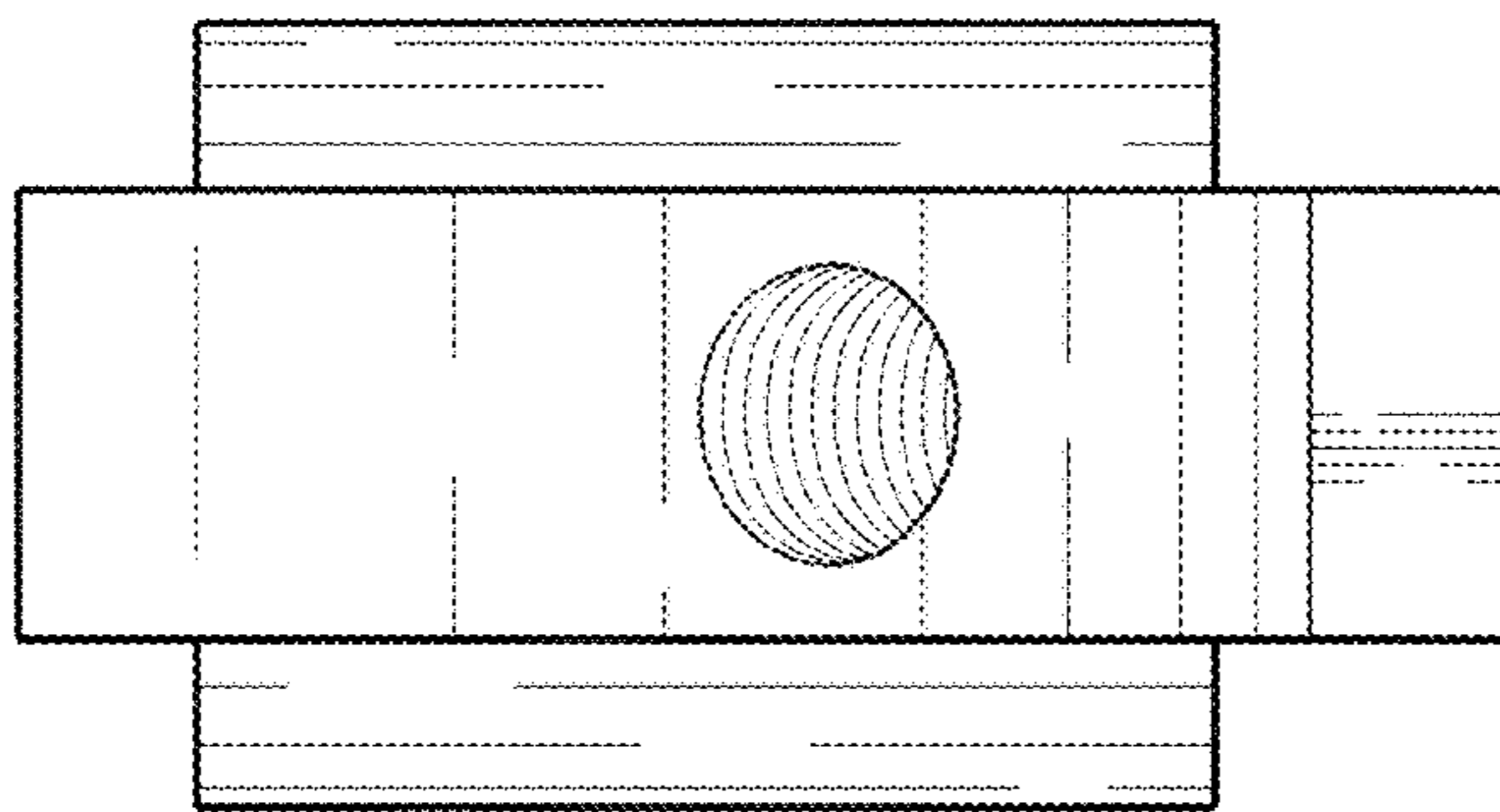


FIG. 7

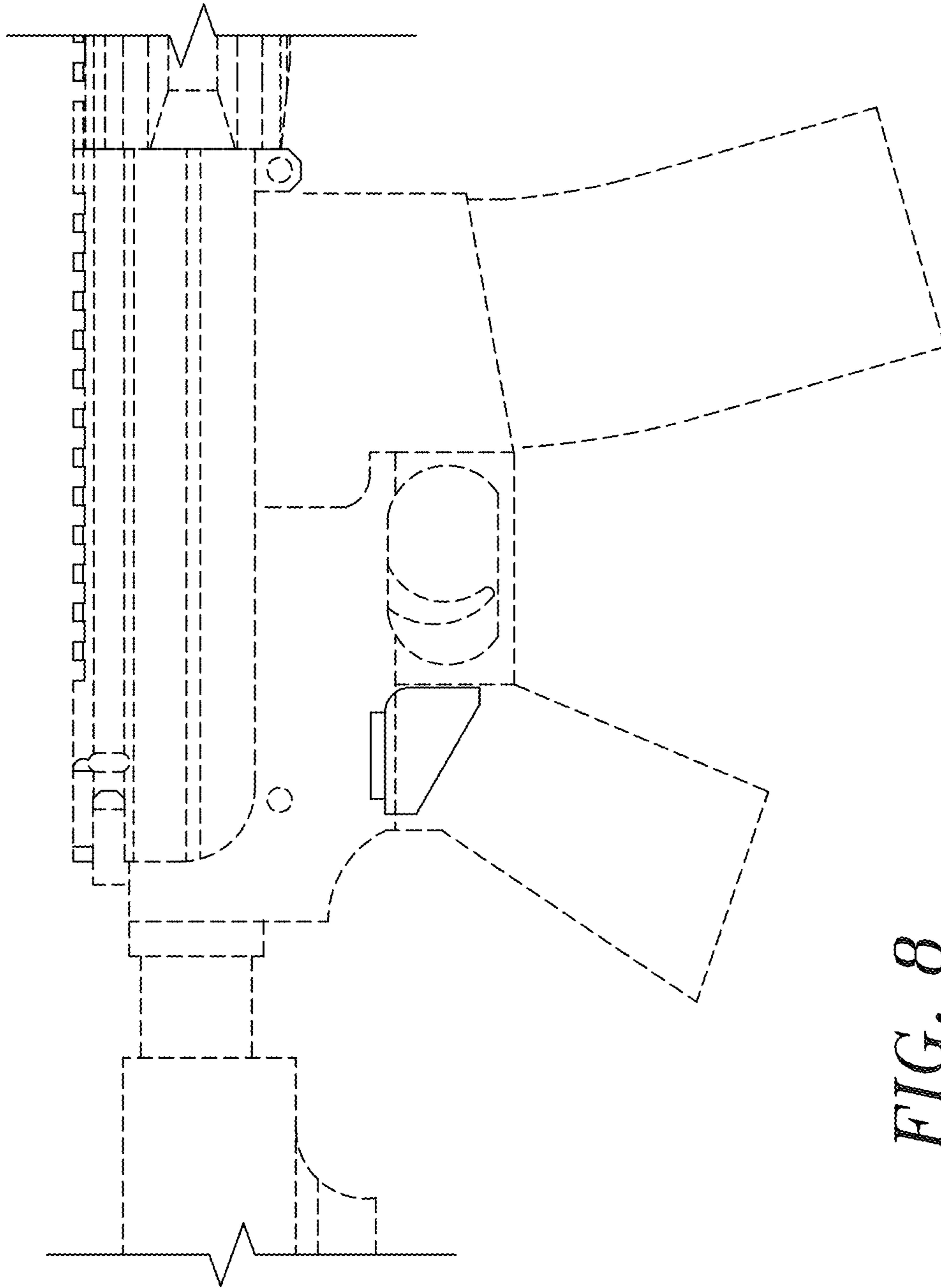


FIG. 8