



US00D828478S

(12) **United States Design Patent** (10) **Patent No.:** **US D828,478 S**
Thomas et al. (45) **Date of Patent:** **** Sep. 11, 2018**

(54) **RIFLE SCOPE ELEVATION KNOB**

(71) Applicant: **KRUGER OPTICAL, INC.**, Tigard, OR (US)

(72) Inventors: **Mark A. Thomas**, Sisters, OR (US);
Mitchell Thomas, Sisters, OR (US);
Neil Mai, Beaverton, OR (US)

(73) Assignee: **KRUGER OPTICAL, INC.**, Tigard, OR (US)

(**) Term: **15 Years**

(21) Appl. No.: **29/592,188**

(22) Filed: **Jan. 27, 2017**

(51) **LOC (11) Cl.** **22-01**

(52) **U.S. Cl.**
USPC **D22/108**

(58) **Field of Classification Search**
USPC D22/100, 101, 102, 103, 104, 105, 106,
D22/107, 108, 109, 110, 111
CPC F41B 5/14; F41B 5/00; F41C 27/00; F41C
23/14; F41C 23/06; F41C 3/00; F41C
7/00; F41C 23/20; F41C 23/08; F41C
23/10; F41G 11/003; F41G 1/18; F41G
1/38; F41G 1/545

See application file for complete search history.

(56) **References Cited**

U.S. PATENT DOCUMENTS

6,772,550 B1 * 8/2004 Leatherwood F41G 1/545
42/119
D606,158 S * 12/2009 Swan D22/108
D619,192 S * 7/2010 Riley D22/108
D619,193 S * 7/2010 Riley D22/108
D679,774 S * 4/2013 Burzel D22/108
D689,163 S * 9/2013 Radau D22/109
D689,582 S * 9/2013 Radau D22/109

D707,324 S * 6/2014 Radau D22/109
D723,652 S * 3/2015 Radau D22/109
D756,480 S * 5/2016 Kay D22/109
D779,622 S * 2/2017 Thomas D22/109
9,658,032 B2 * 5/2017 Porter F41G 1/38
D797,879 S * 9/2017 Thomas D22/109
9,753,483 B1 * 9/2017 Thomas G05G 5/03
2011/0100152 A1 * 5/2011 Huynh F41G 1/22
74/504
2013/0167425 A1 * 7/2013 Crispin F41G 1/38
42/119
2015/0143733 A1 * 5/2015 Thomas F41G 1/38
42/119

OTHER PUBLICATIONS

<https://www.gunsamerica.com/blog/range-estimation-making-long-shot-first-focal-plane-scopes/>—Published Jan. 22, 2015.*

* cited by examiner

Primary Examiner — Manpreet S Matharu

Assistant Examiner — Mojtaba Tehrani

(74) *Attorney, Agent, or Firm* — Timothy E. Siegel Patent Law, PLLC; Timothy E. Siegel

(57) **CLAIM**

The ornamental design for a rifle scope elevation knob, as shown and described.

DESCRIPTION

FIG. 1 is an isometric rear-top-left view of a rifle scope elevation knob showing our new design.

FIG. 2 is a top view thereof;

FIG. 3 is a left side view thereof;

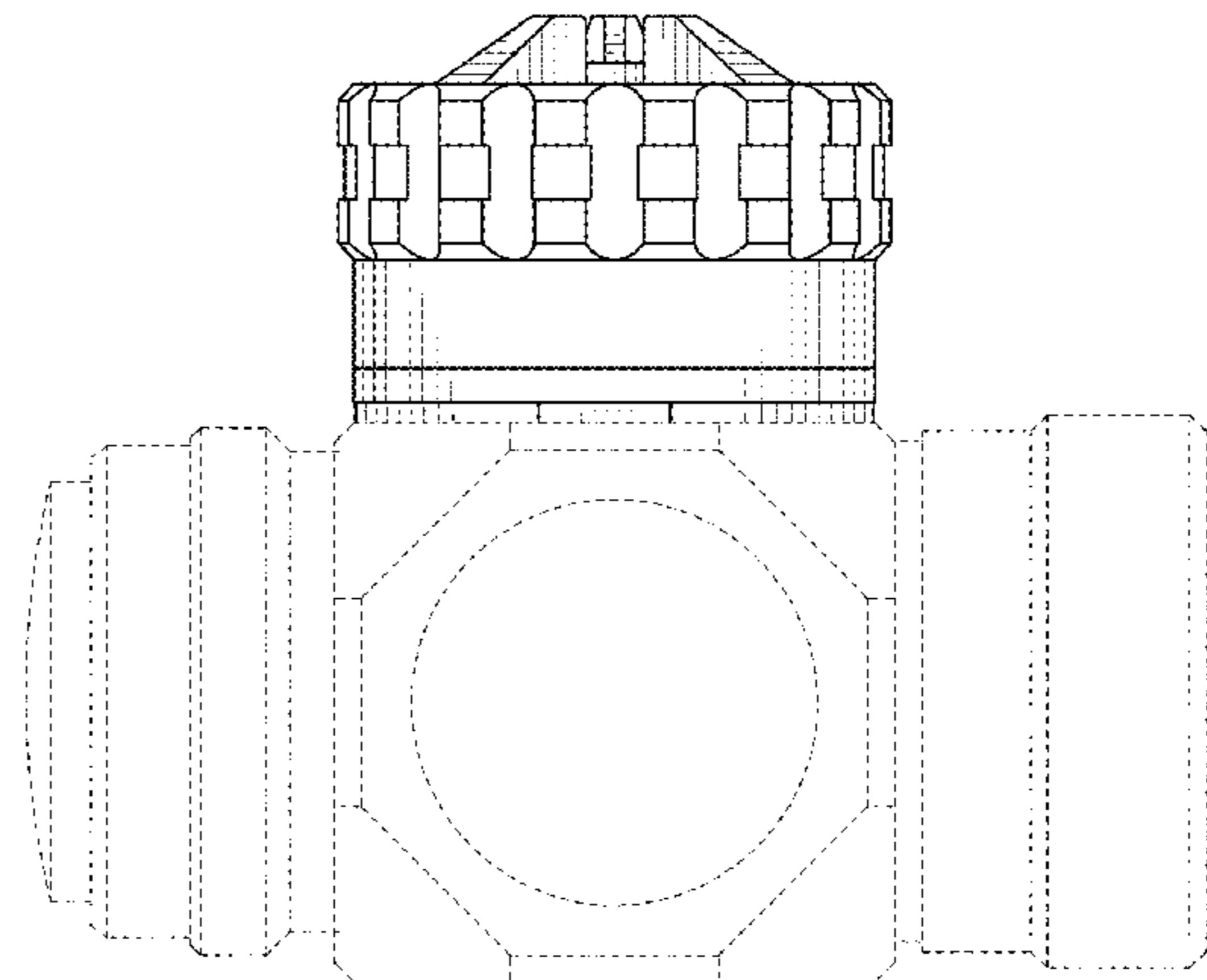
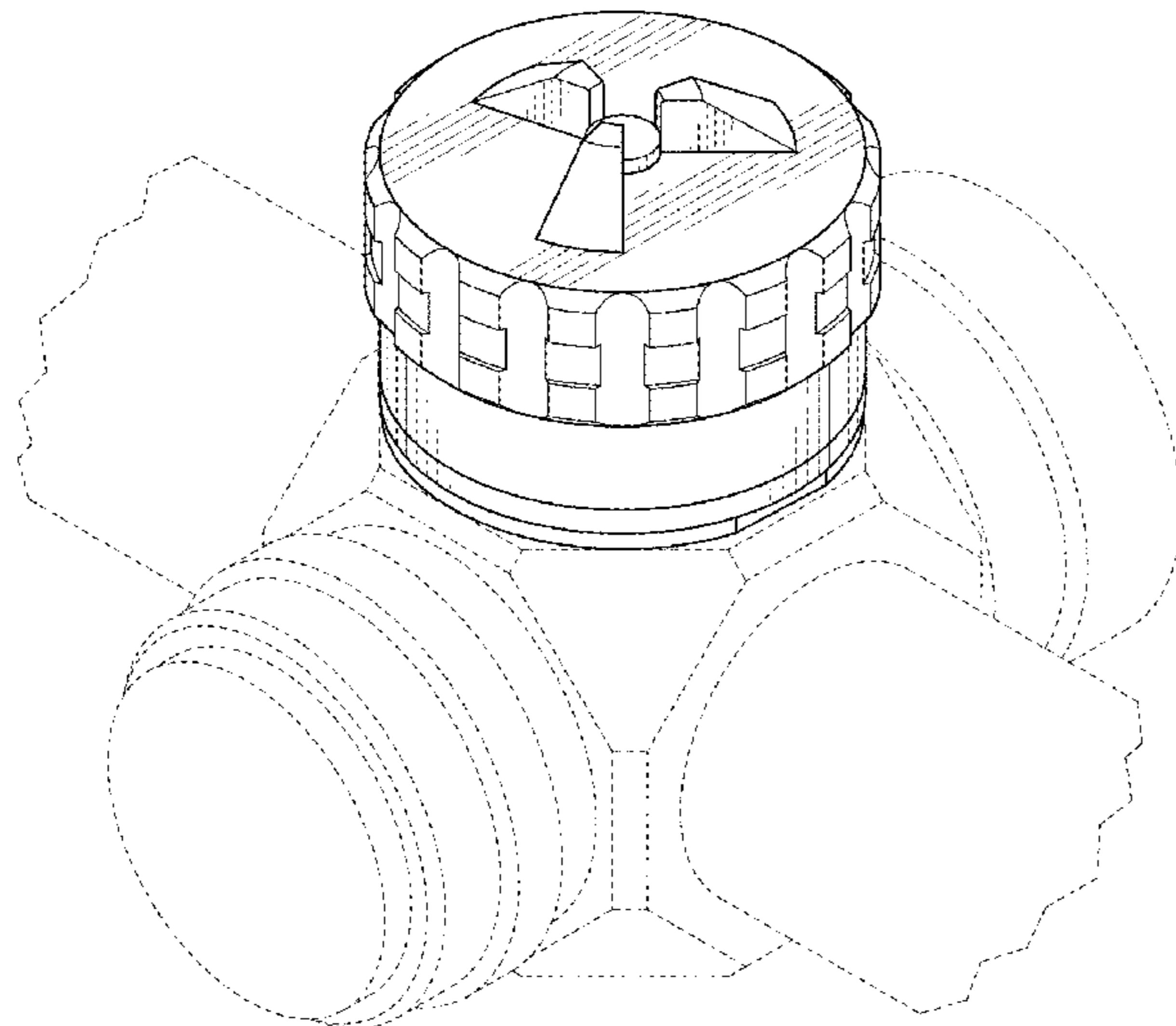
FIG. 4 is a right side view thereof;

FIG. 5 is a front view thereof; and,

FIG. 6 is a rear view thereof.

The broken line in the figure drawings represents unclaimed environment only and forms no part of the claimed design.

1 Claim, 3 Drawing Sheets



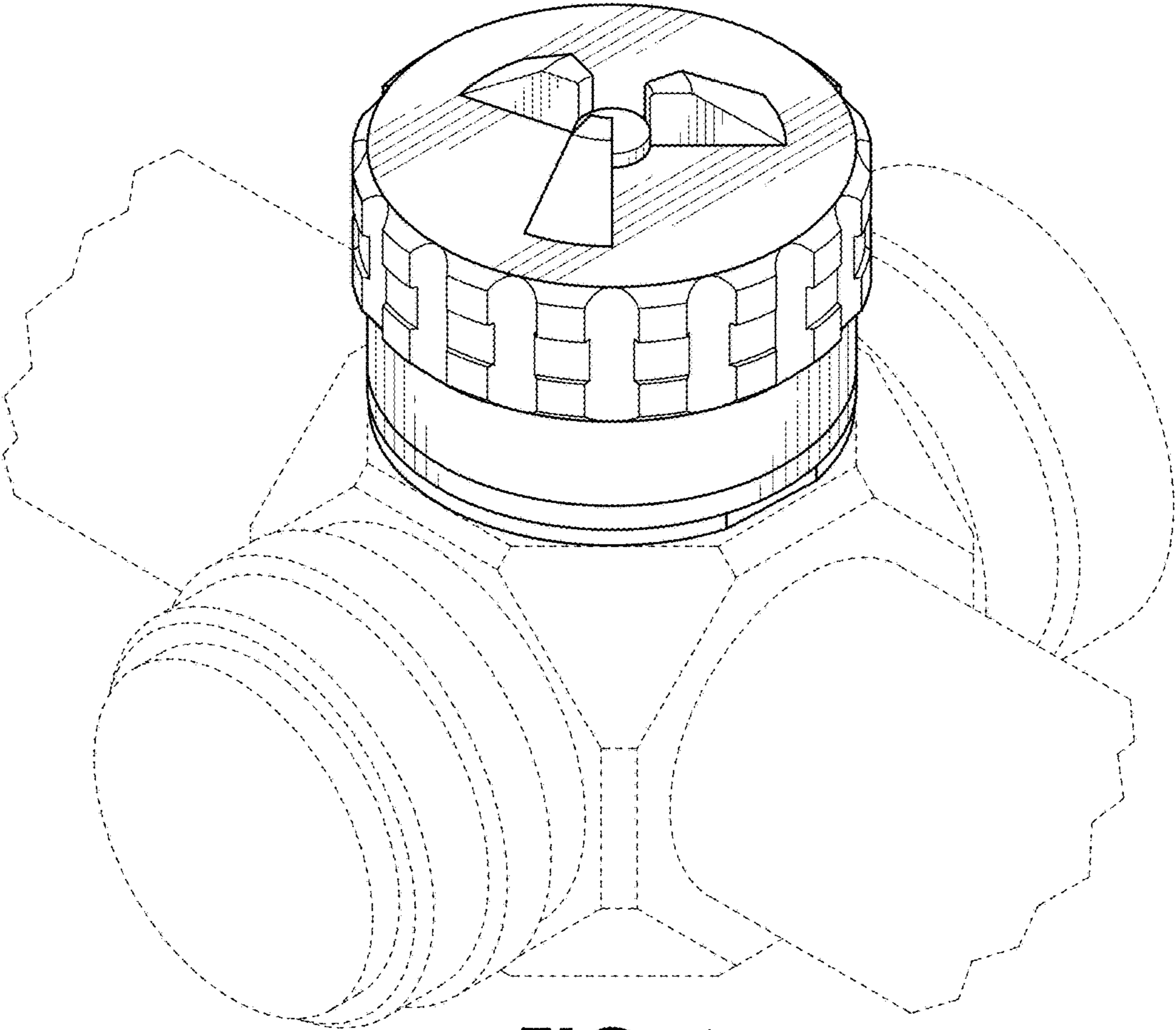


FIG. 1

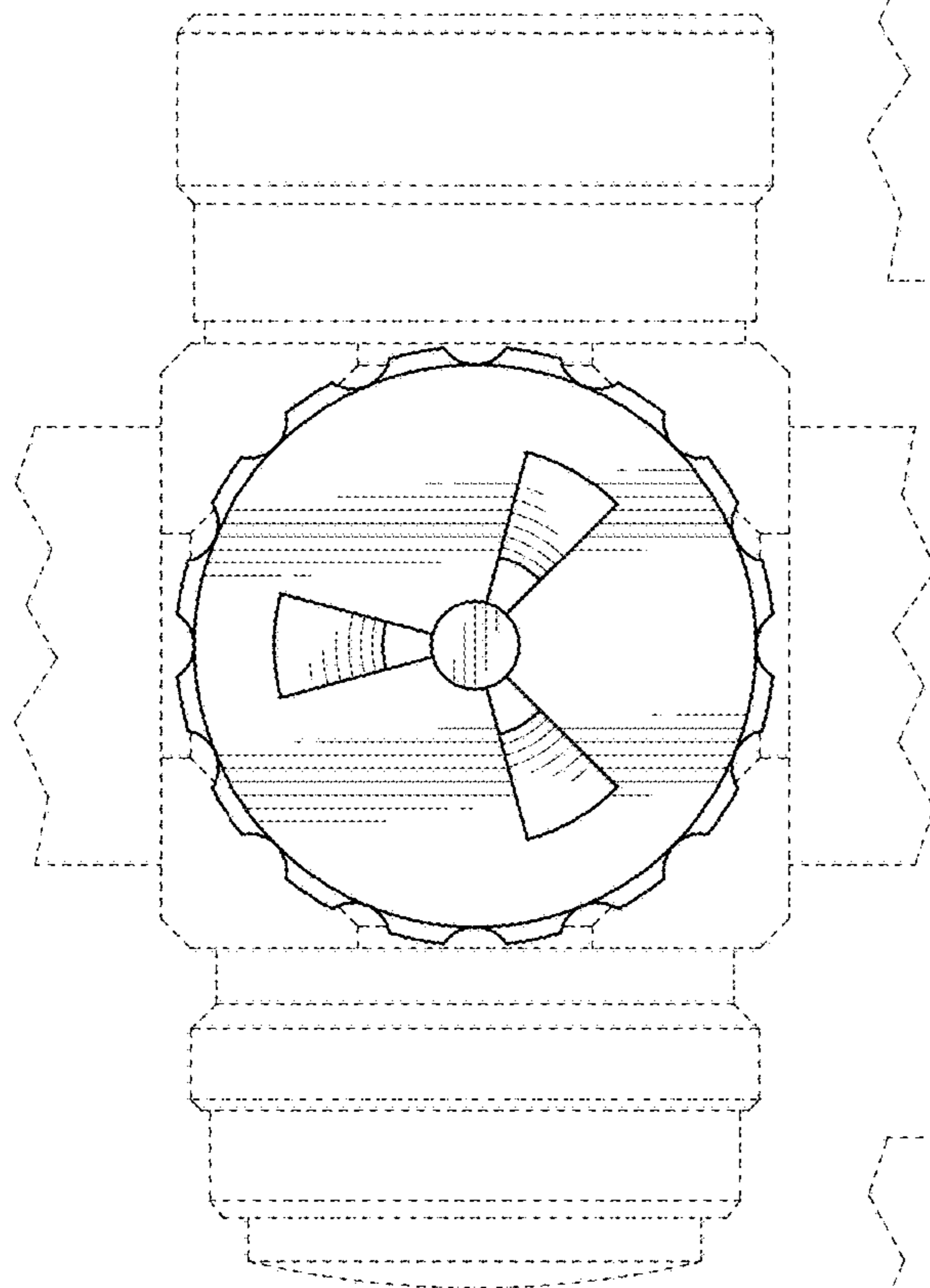


FIG. 2

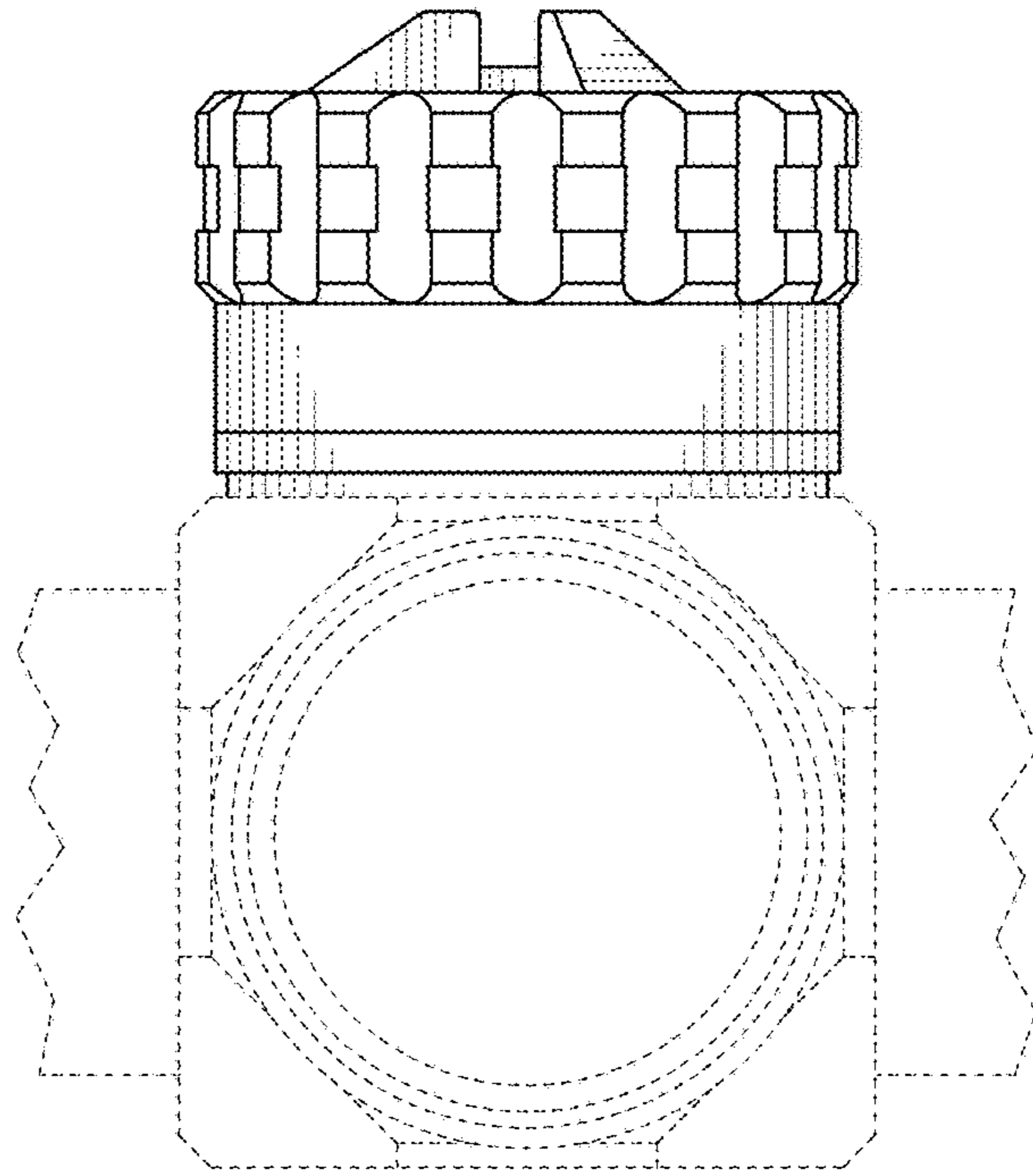


FIG. 3

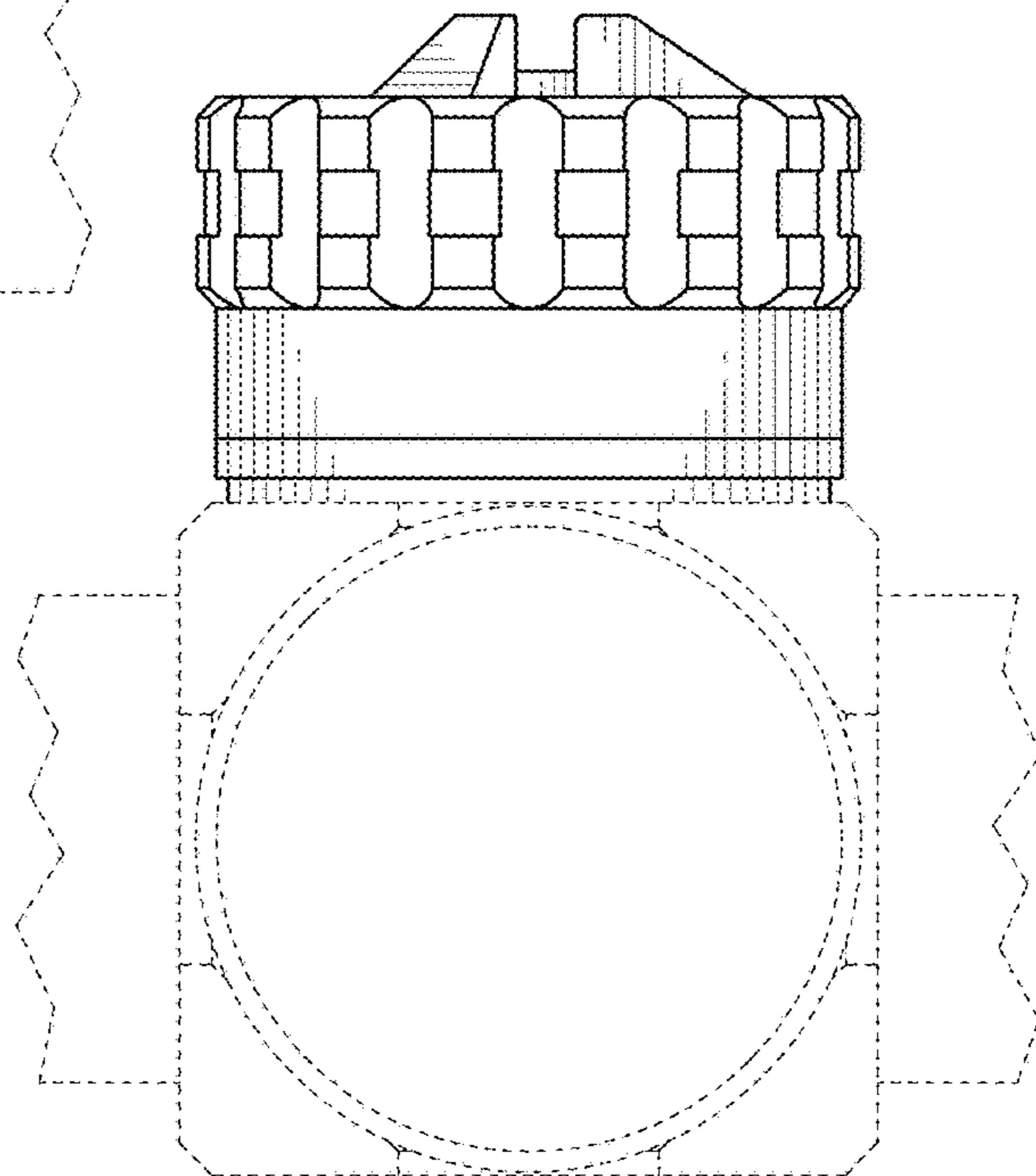


FIG. 4

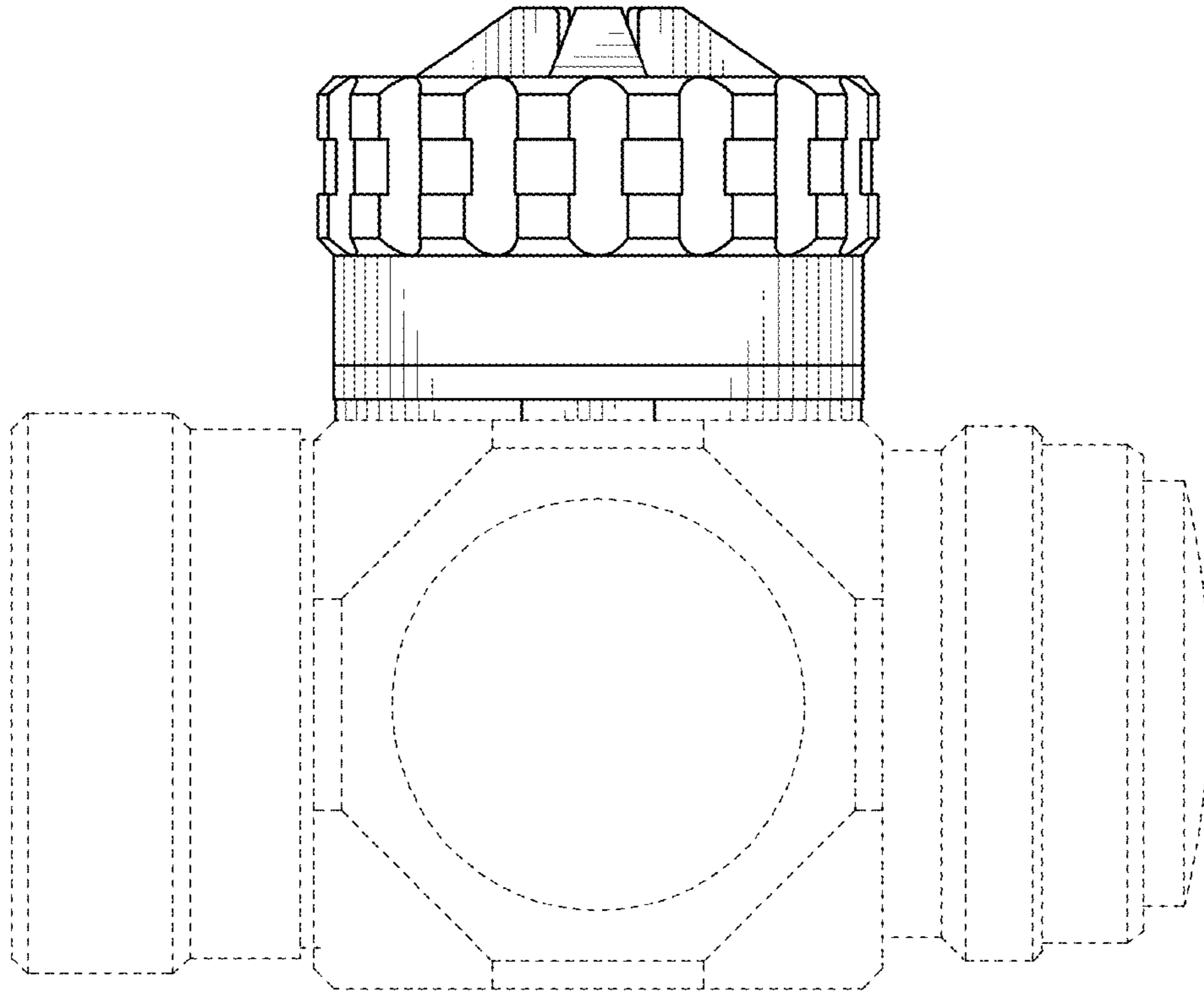


FIG. 5

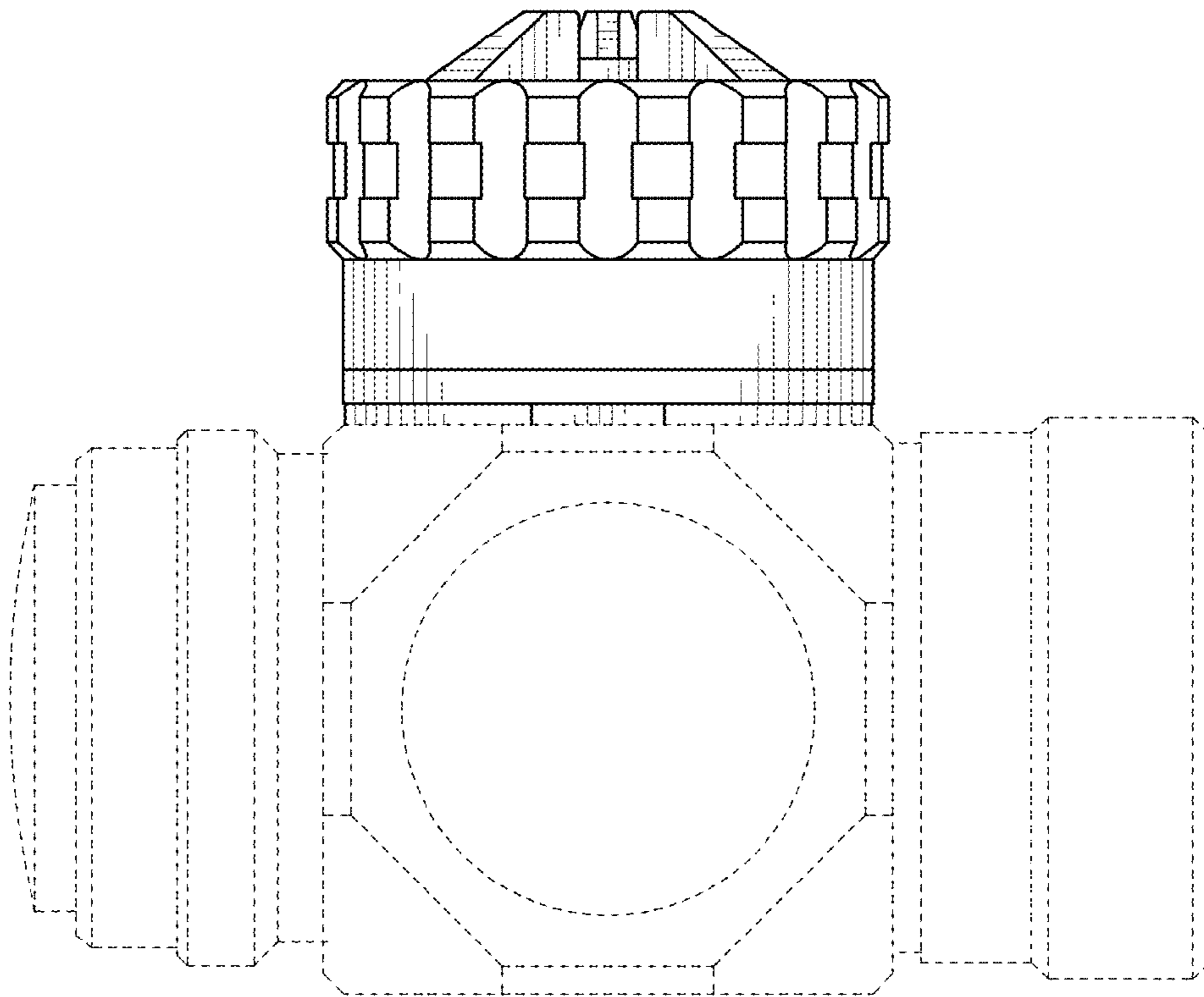


FIG. 6